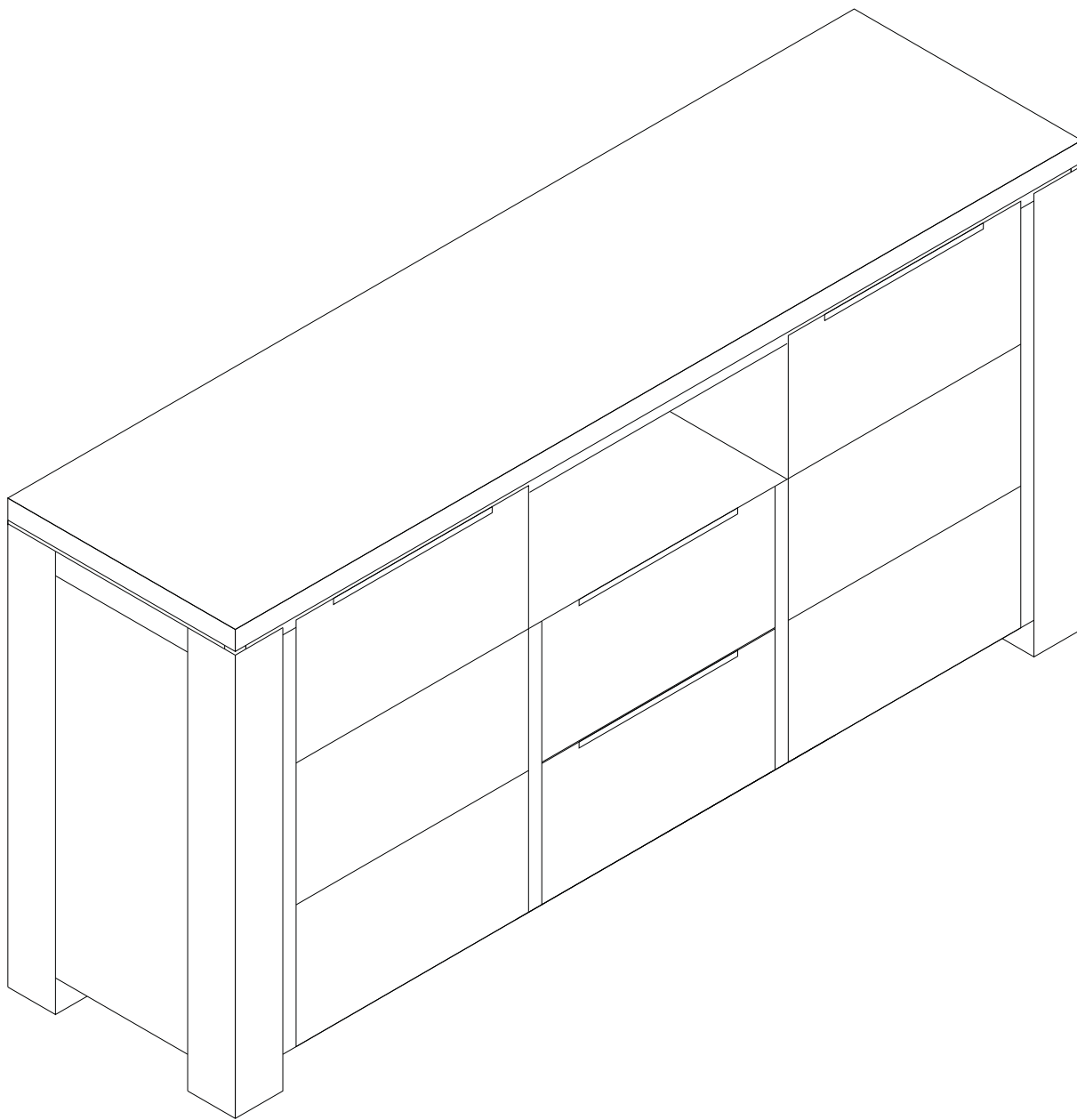


Assembly Instructions

TORONTO BUFFET 2 DOOR 2 DRAWER



WARNING

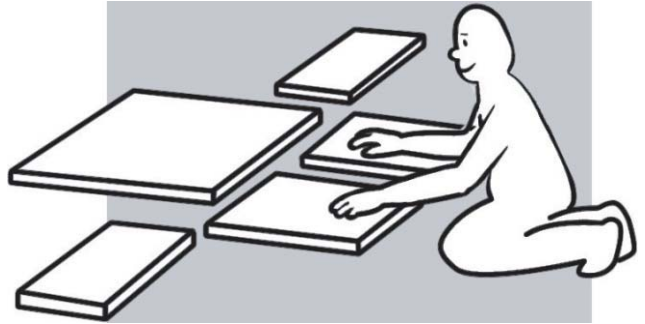
FAILURE TO FOLLOW THESE BASIC STEPS CAN LEAD TO DAMAGE THAT IS NOT COVERED BY YOUR WARRANTY

1



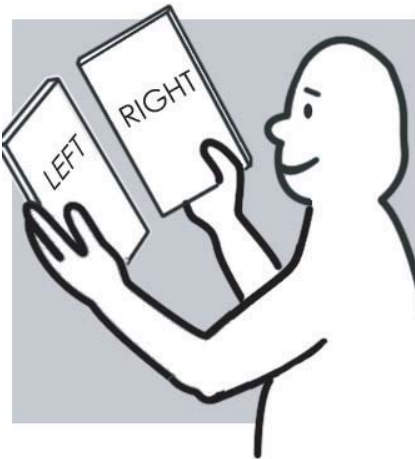
Read Instructions carefully. Check no parts are missing.

2



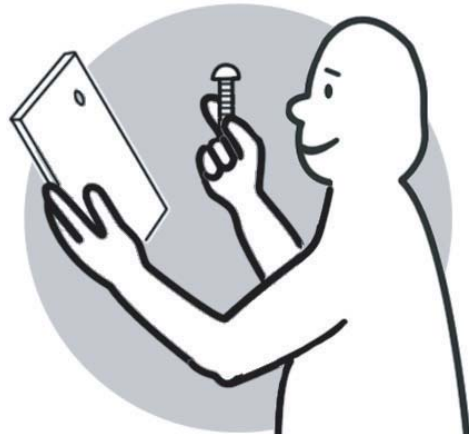
Lay out all of the components on a soft surface as if you were preparing to do a jigsaw puzzle.

3



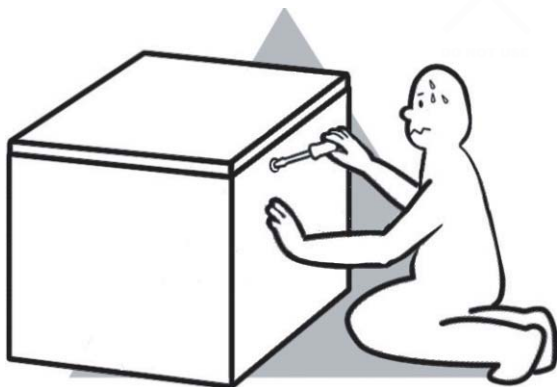
Carefully identify each component, especially those that are similar. The most common mistake is getting things back to front.

4



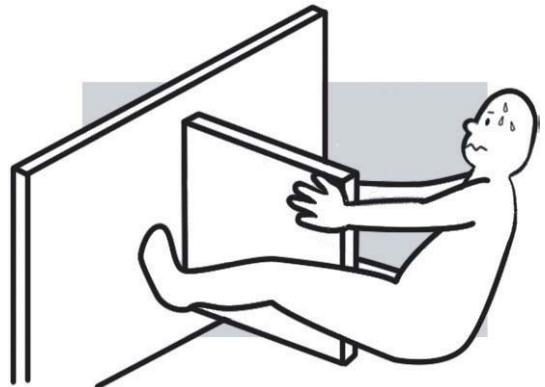
Separate and identify each component from the hardware pack and rest each one in its proper location before fastening.

5



DO NOT fully tighten screws (loose). When the item is fully assembled tighten the screws - but do not over tighten.

6



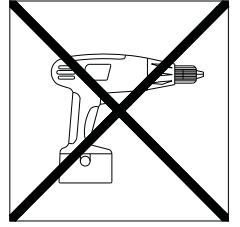
If glue is required **DO NOT** set until you are certain that the parts belong together.

What you Need

To Assemble the Body



(Tool not provided)
Hammer



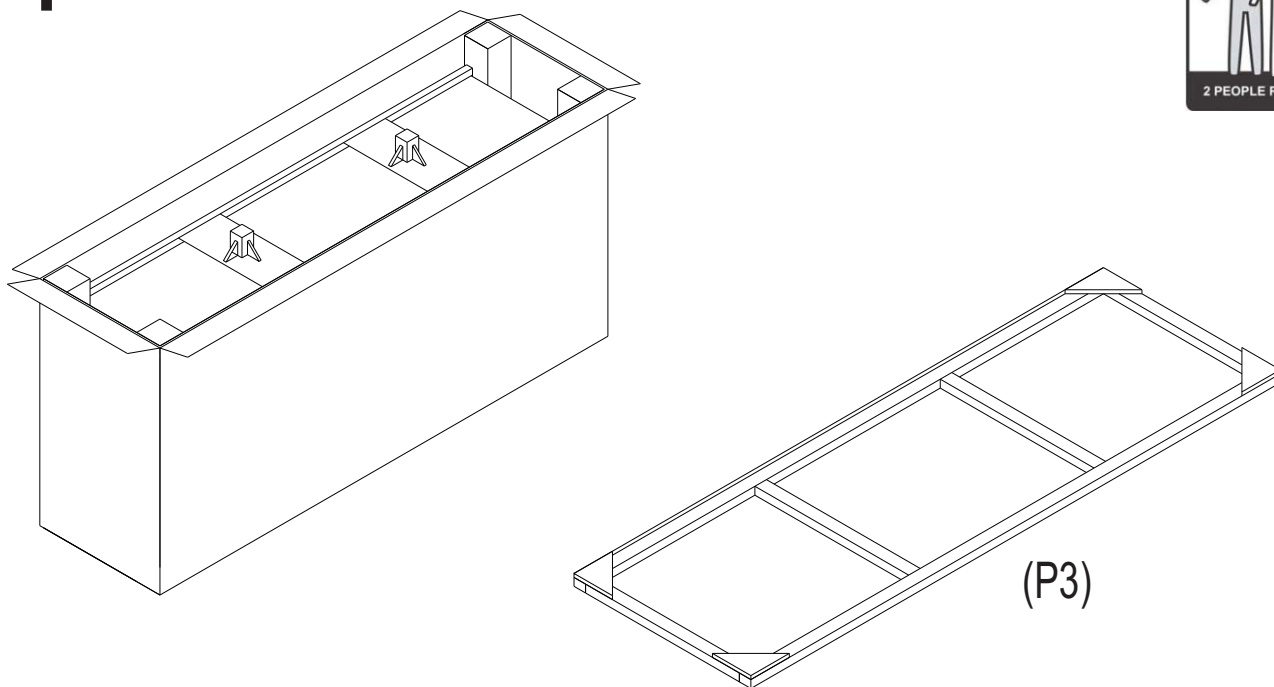
DO NOT USE



6 x Gliders
(H1)

Please make sure you have all these parts before you start.

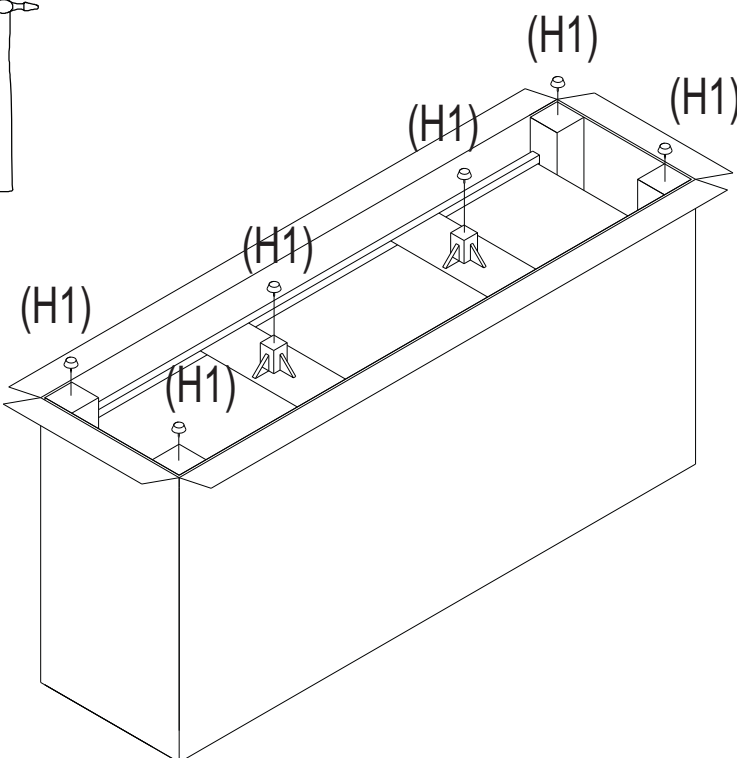
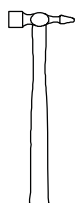
Step 1



Turn the carton upside down (Bottom up).
Open the carton and remove the pallet (P3).

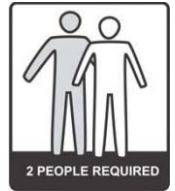
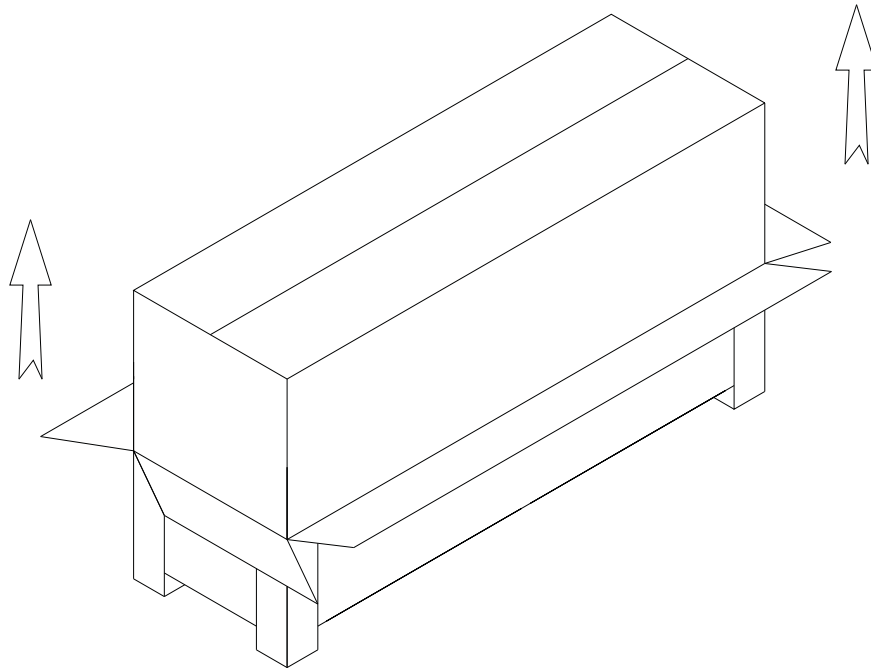
Step 2

You will need:	
6 x Gliders (H1)	



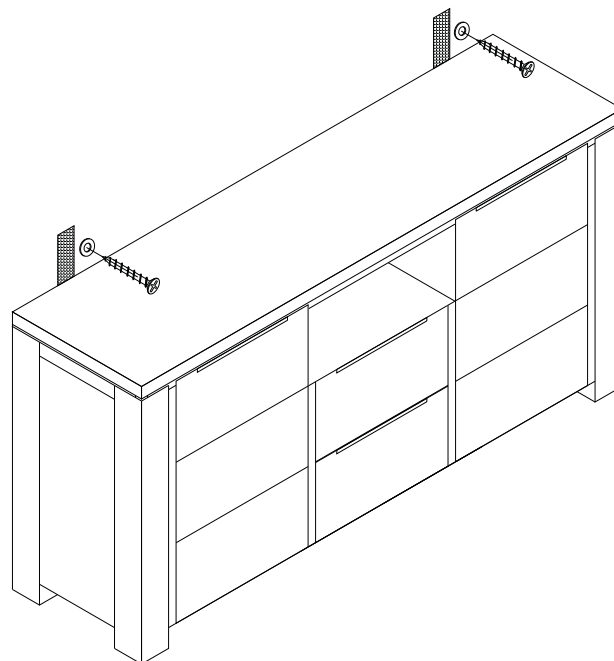
Use a hammer to nail the gliders (H1) to the legs.

Step 3

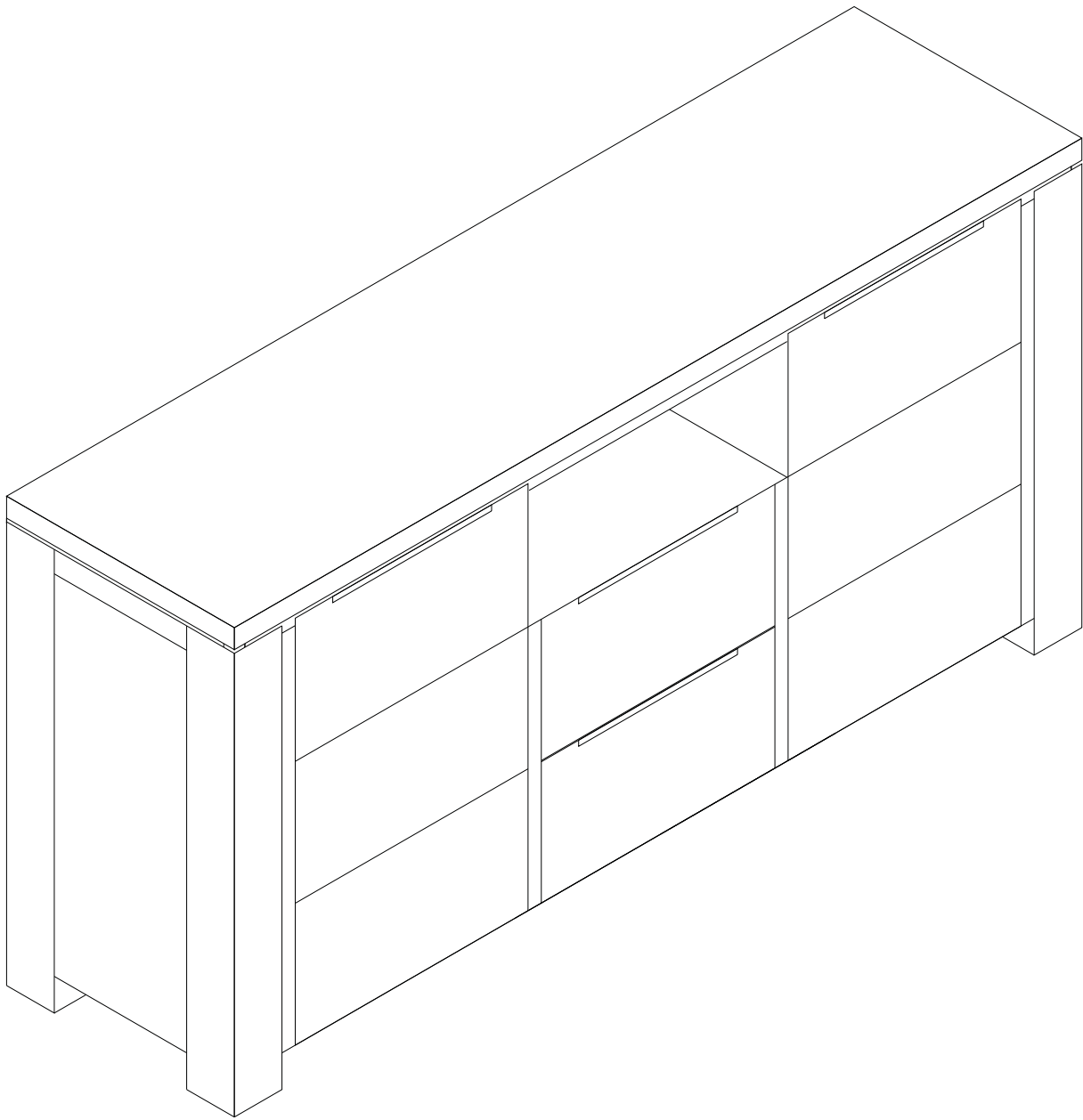


Gently turn carton over and remove carton from buffet.

Step 4



Unwrap buffet and move into final position. Seek advice from a qualified trades person on how to attach the safety strap to your specific wall.



The job is now complete!

In the interest of our environment.
Please dispose of all packaging thoughtfully.