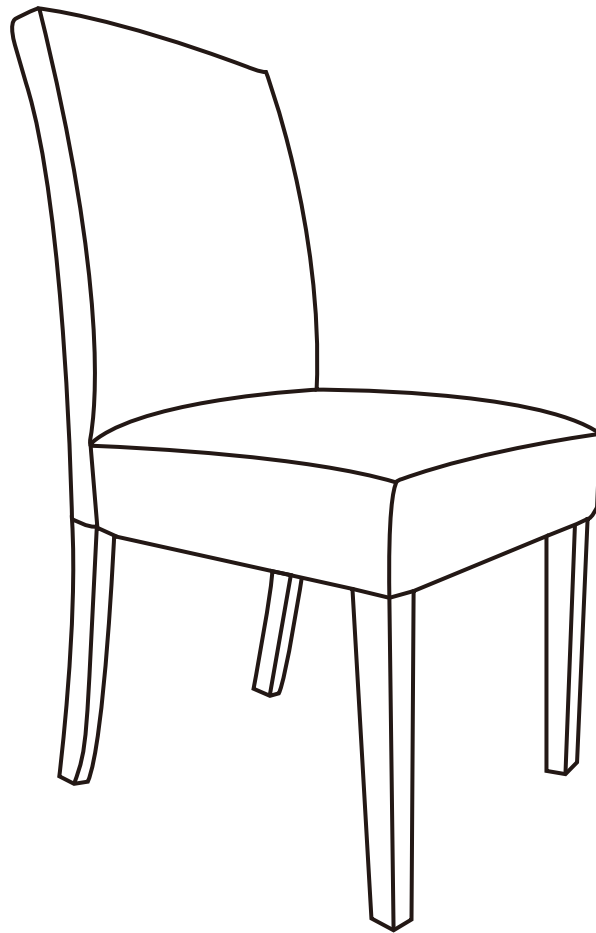


Assembly Instructions

PARKER

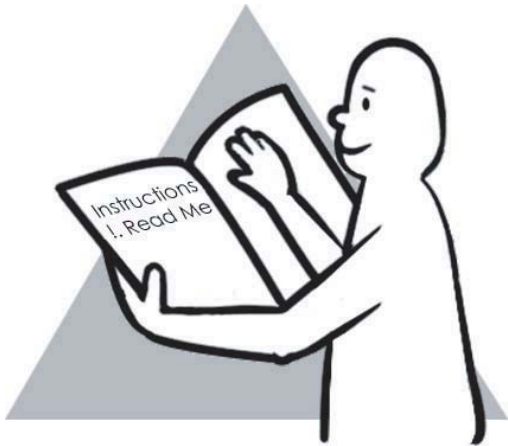
Chair 1 Seater



WARNING

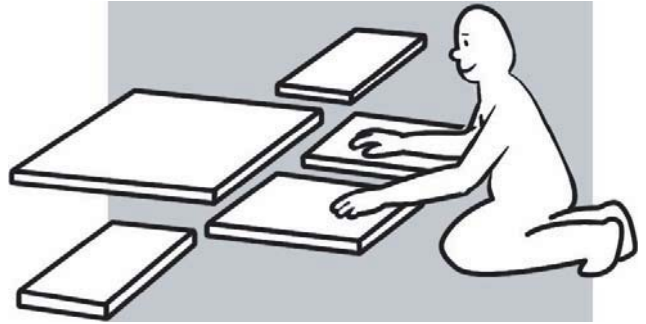
FAILURE TO FOLLOW THESE BASIC STEPS CAN LEAD TO DAMAGE THAT IS NOT COVERED BY YOUR WARRANTY

1



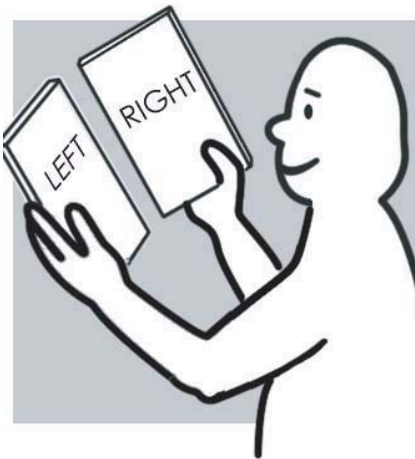
Read Instructions carefully. Check no parts are missing.

2



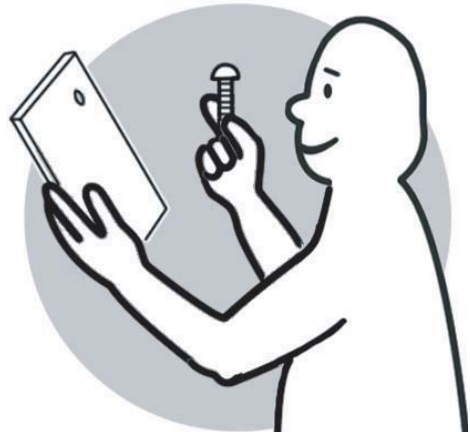
Lay out all of the components on a soft surface as if you were preparing to do a jigsaw puzzle.

3



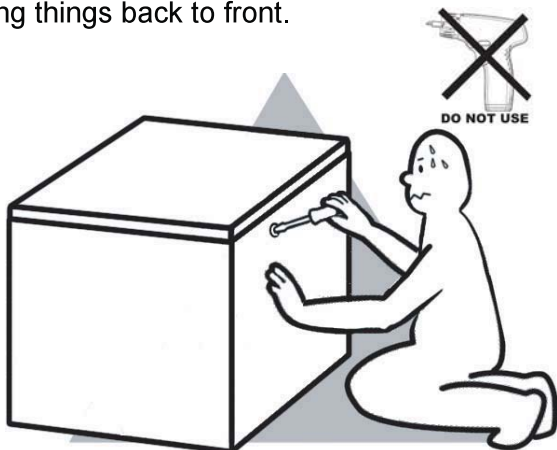
Carefully identify each component, especially those that are similar. The most common mistake is getting things back to front.

4



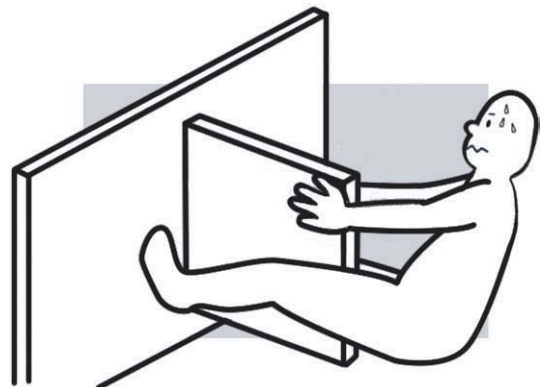
Separate and identify each component from the hardware pack and rest each one in its proper location before fastening.

5



DO NOT fully tighten screws (leave slightly loose). When the item is fully assembled tighten the screws - but do not over tighten.

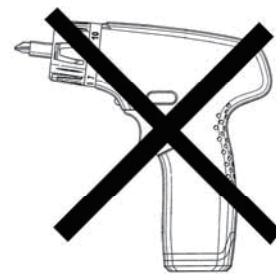
6



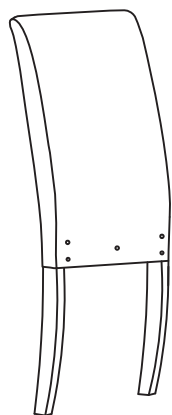
If glue is required **DO NOT** set until you are certain that the parts belong together.

What you Need

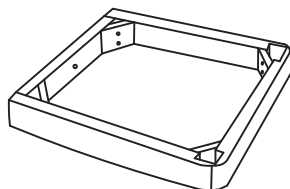
To Assemble the Chair



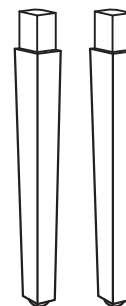
DO NOT USE



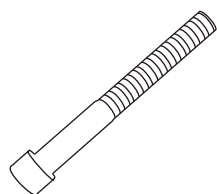
1 x Back Frame
(P1)



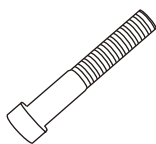
1 x Seat Frame
(P2)



2 x Front Legs
(P3)



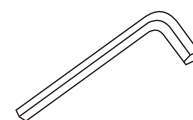
4 x Long Bolts
(H1)



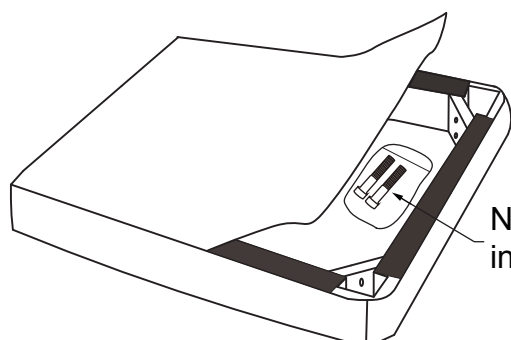
5 x Medium Bolts
(H2)



9 x Washers
(H3)



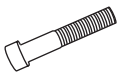

Allen Key

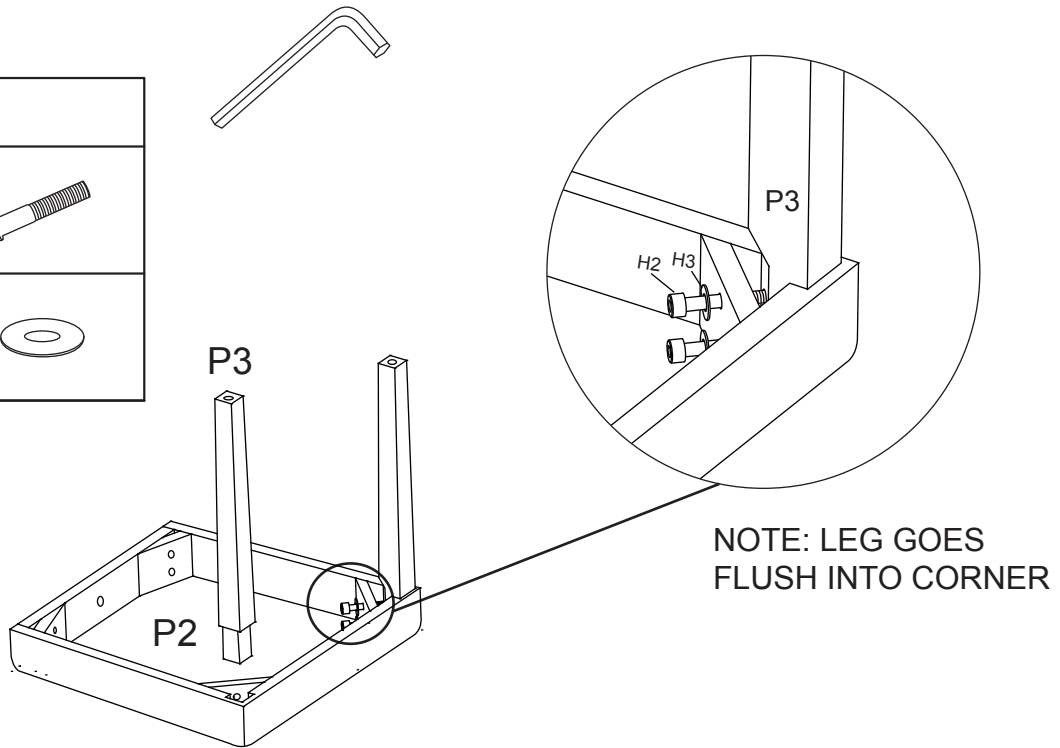


Note: Hardware pack
inside of seat

Please make sure you have all these parts before you start.

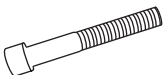

Step 1

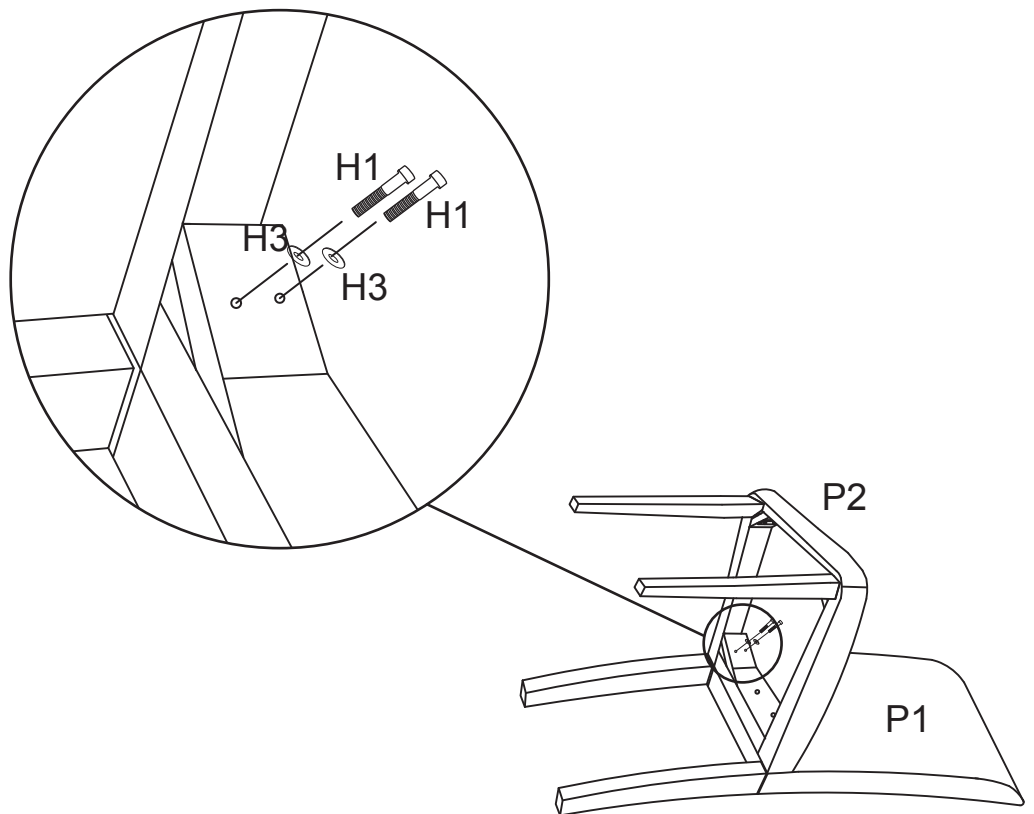
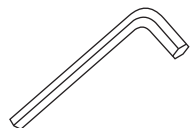
You will need:	
4 x Medium Bolts (H2)	
4 x Washers (H3)	



Insert Front Legs (P3) into the corresponding holes in Seat Frame (P2). Attach using 4 x Washers (H3) and 4 x Medium Bolts (H2). Do not fully tighten bolts, leave a little loose at this stage.


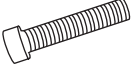
Step 2

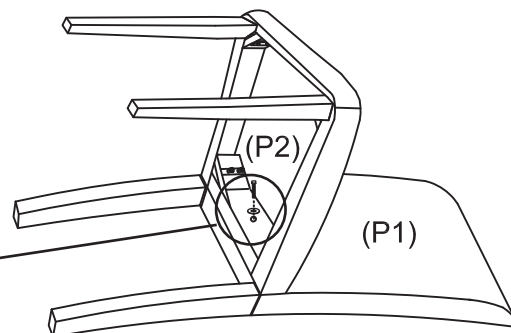
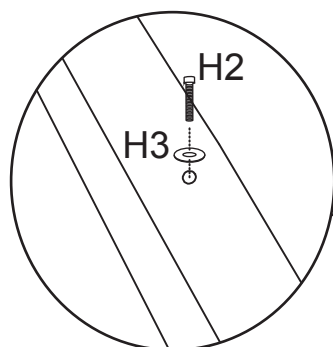
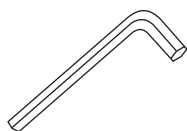
You will need:	
4 x Long Bolts (H1)	
4 x Washers (H3)	



Attach Seat Frame (P2) to Back Frame (P1) using 4 x Washers (H3) and 4 x Long Bolts (H1). Hand tighten to 80%.

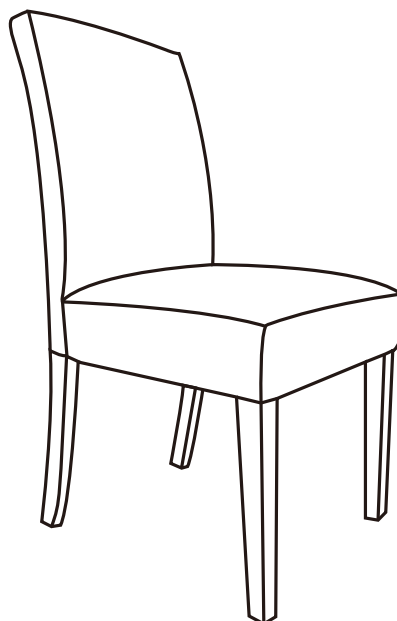
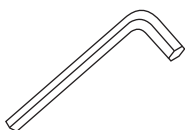
Step 3

You will need:	
1 x Washer (H3)	
1 x medium Bolts (H2)	



Insert 1 x medium Bolt (H2) and 1x Washer (H3) and hand tighten to 80%.

Step 4



Apply downward pressure on the seat pad to ensure the chair is level before tightening all bolts firmly with Allen Key.

The job is now complete!
In the interest of our environment
Please dispose of all packaging thoughtfully.