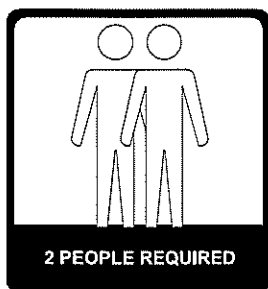
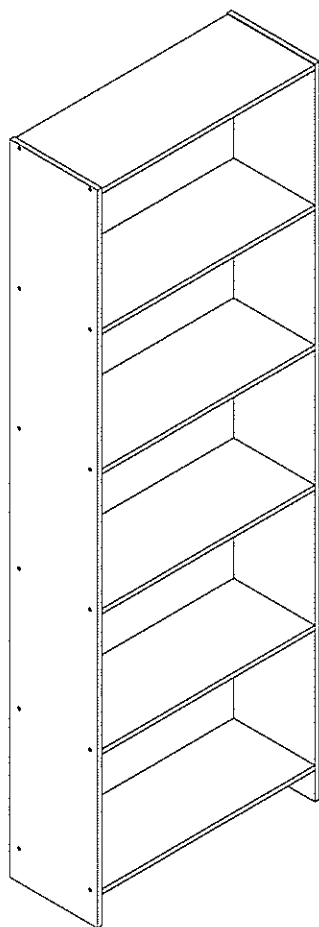


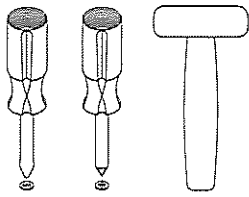
Assembly Instructions

2514-1

OPUS BOOKCASE MEDIUM NARROW

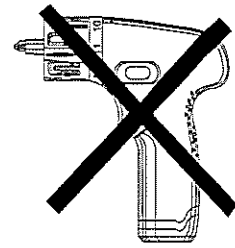


What you Need

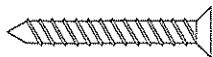
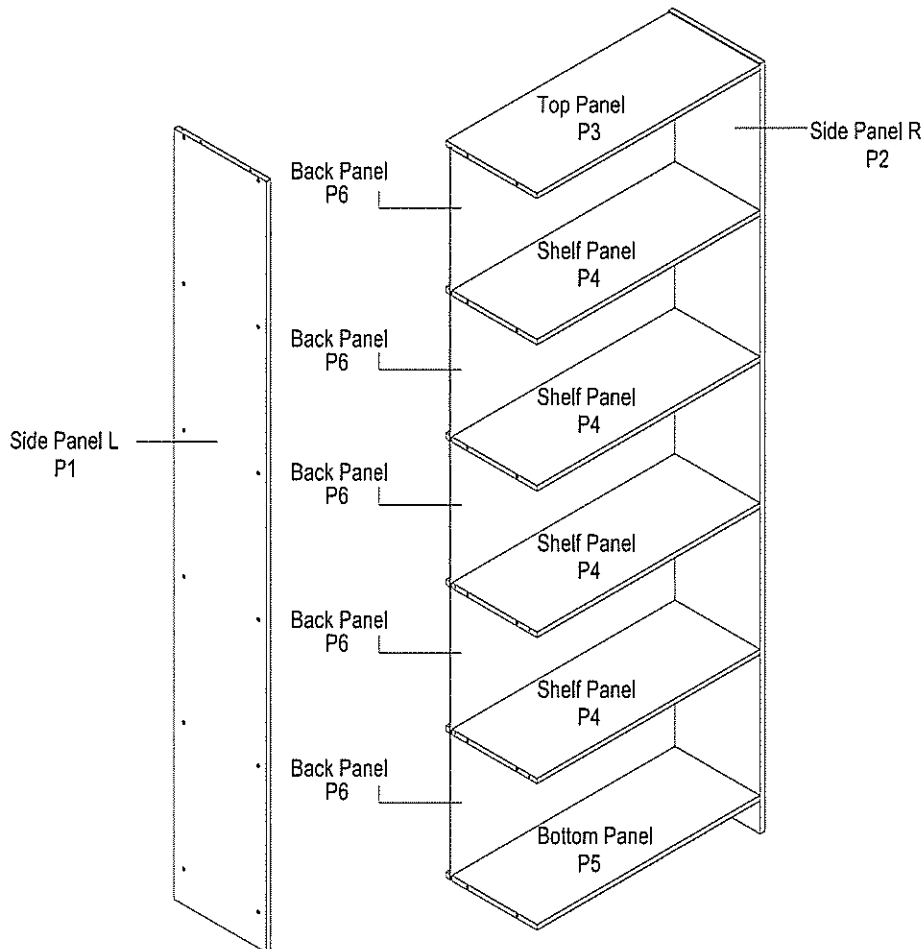


To Assemble the Body

(Tools not provided)
Flat Blade Screwdriver
Philips Head Screwdriver
Mallet



DO NOT USE



24 x #9 x 38mm
Screw
(H1)



24 x Wood Dowel
M6 x 25mm
(H2)



4 x Leg Stud
(H3)



1 x Webbing
150mm x 13mm
(H4)



1 x Pan Head Screw
M3.5 x 12mm
(H5)



24 x Sticker
(H6)



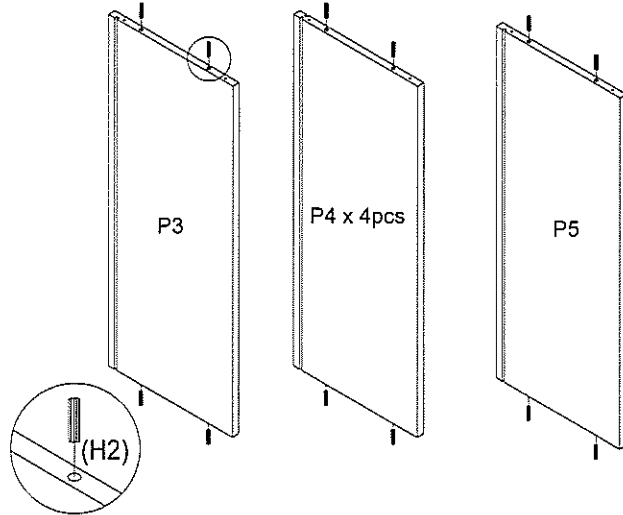
1x Flat Washer
M5.5 x 12 x 0.8mm
(H7)

Please make sure you have all these parts before you start.

Step 1

You will need:

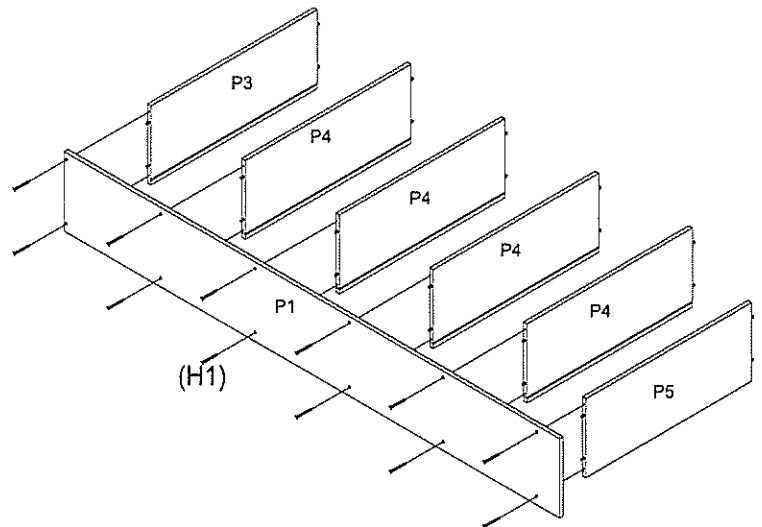
24 x Wood Dowel
M6 x 25mm
(H2)



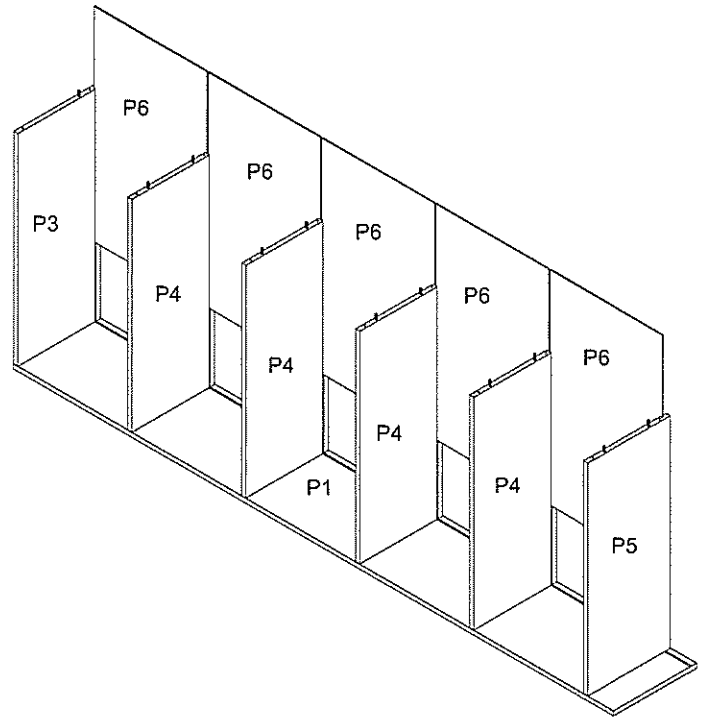
Step 2

You will need:

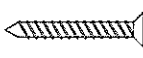

12 x #9 x 38mm
Screw
(H1)

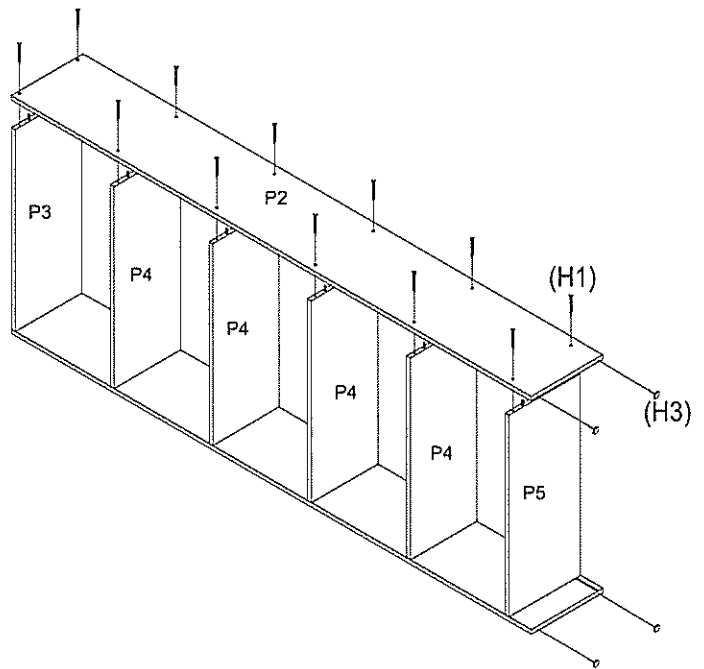
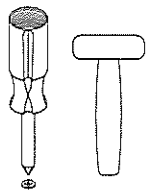


Step 3



Step 4

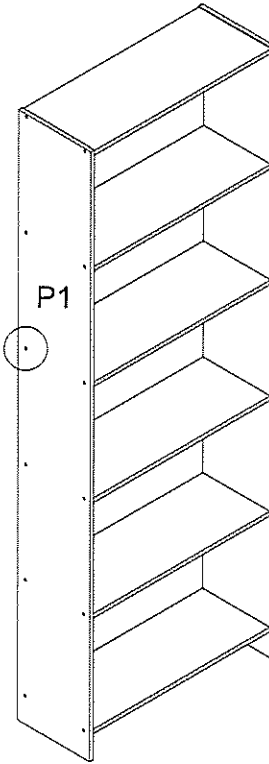
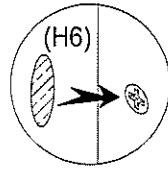
You will need:	
12 x #9 x 38mm Screw (H1)	
4 x Leg Stud (H3)	



Step 5

You will need:

24 x Sticker
(H6)



Step 6

You will need:

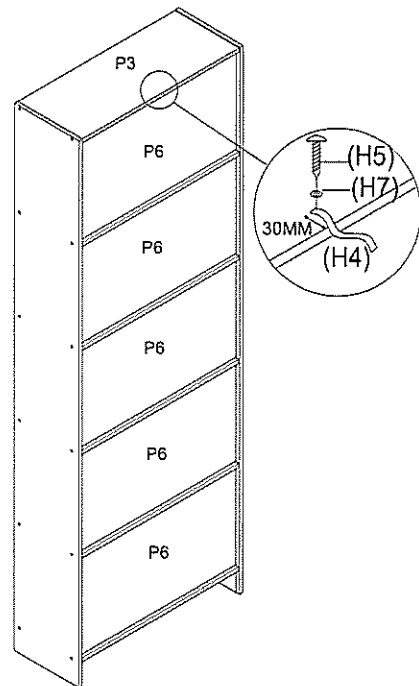
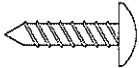
1 x Webbing
150mm x 13mm
(H4)



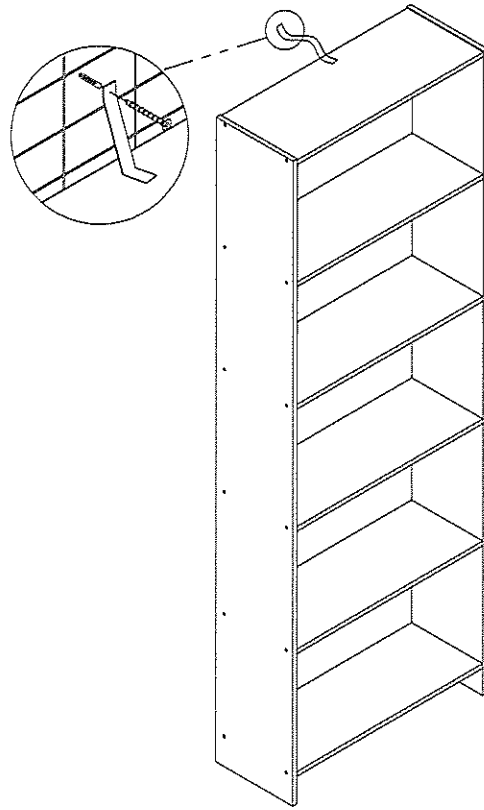
1 x Flat Washer
M5.5 x 12 x 0.8mm
(H7)



1 x Pan Head Screw
M3.5 x 12mm
(H5)



Step 7



Step 8

