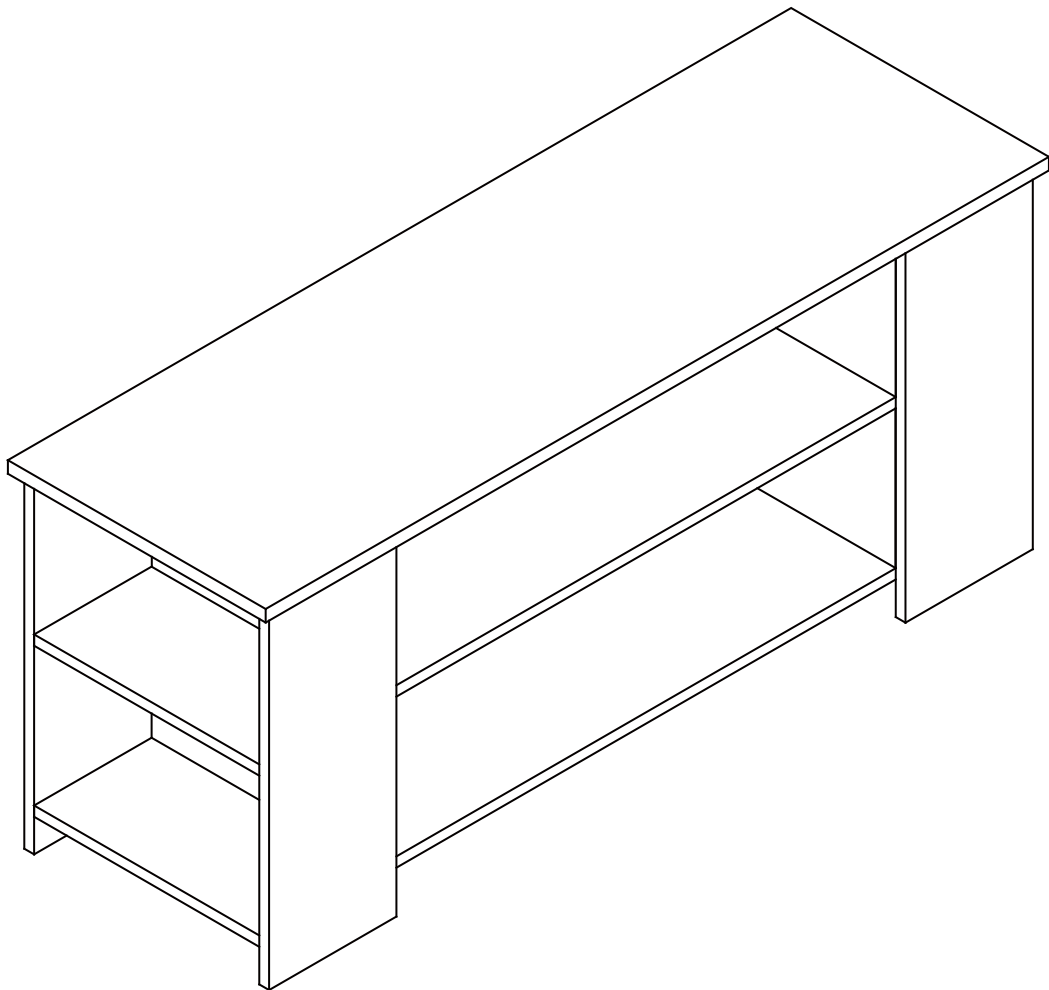




Version 1.0



COMO

TV Stand

www.fantasticfurniture.com.au

Enjoy

Your purchase from
Australia's Best Value Furniture Store



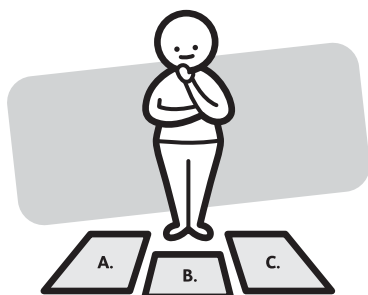
Assembly checklist



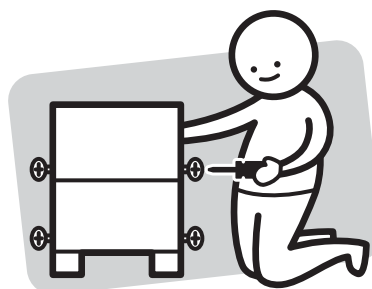
Read through the instructions carefully before you begin.



Make sure you have all the required tools. Never use power tools unless instructed.



Identify and lay out all of the components before you begin assembly.



Unless instructed, do not fully tighten screws until the item is fully assembled.

Useful Information

- ! Never use power tools unless specifically instructed. They can damage your components or hardware if used incorrectly.
- ! The most common mistakes made during assembly are using the wrong hardware or getting components back to front.
- ! Always use a soft surface (such as carpet or cardboard) when assembling your product to avoid scratching or damaging the surface of the product.
- ! Bulky items such as wardrobes and bunk bed should be assembled in the room they will be used in as they may not fit through a door once assembled.
- ! Never use any glue until you are certain that the parts belong together.
- ! Periodically check and re-tighten all fasteners. Check the product care label or website for product care instructions.
- ! If you are having any difficulties assembling your product, missing any hardware or components please visit our website Help Centre for further assistance.

What you need

to assemble the product

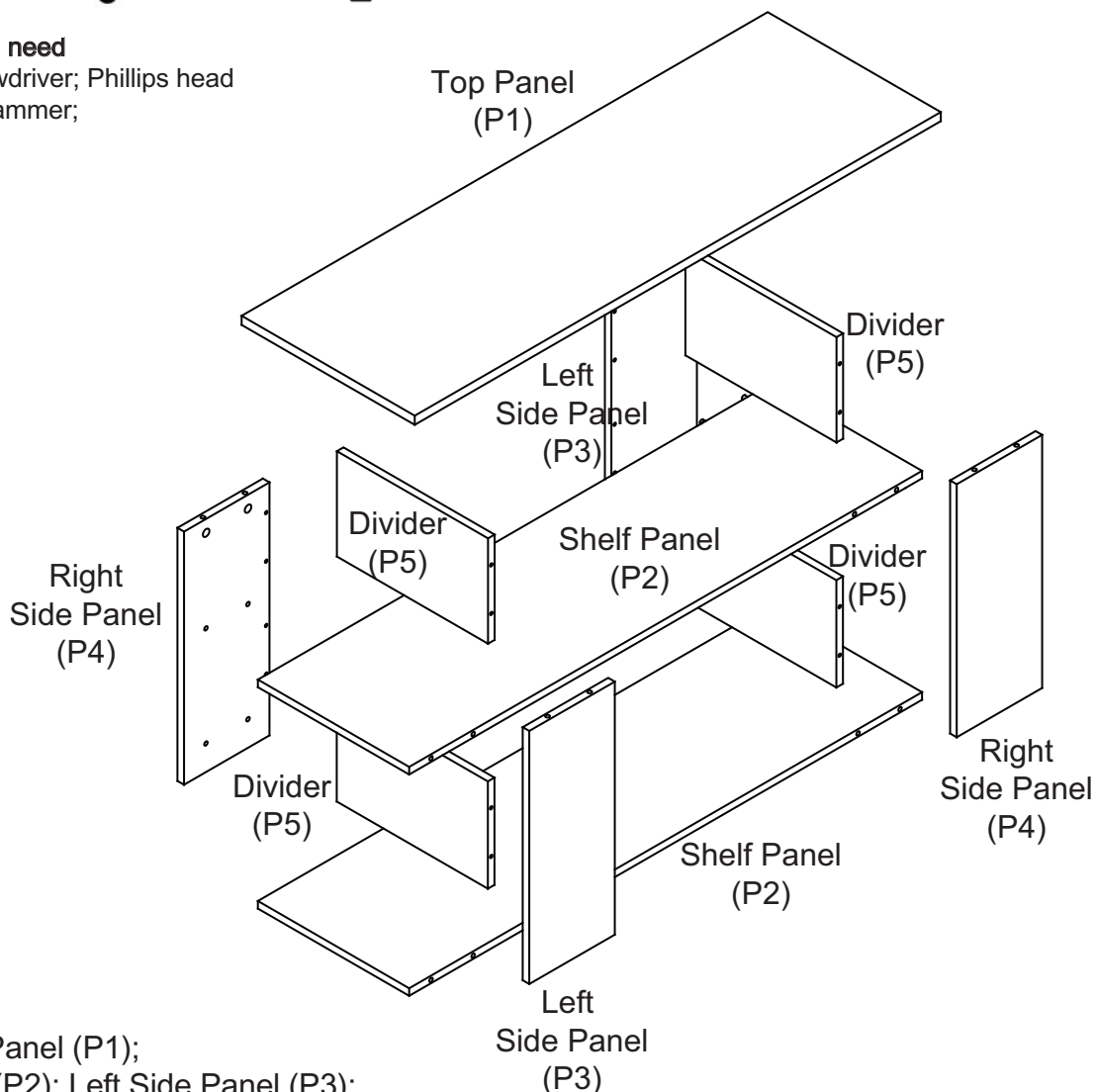


DO NOT USE



Other tools you need

Flat head screwdriver; Phillips head screwdriver; Hammer;

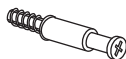


Parts list

Box 1: Top Panel (P1);
Shelf Panel (P2); Left Side Panel (P3);
Right Side Panel (P4);
Divider (P5);



16 x Dowels
(H1)



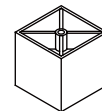
24 x Cam Bolts
(H2)



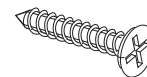
24 x Cam Nuts
(H3)



8 x Plastic Glides
(H4)

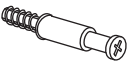



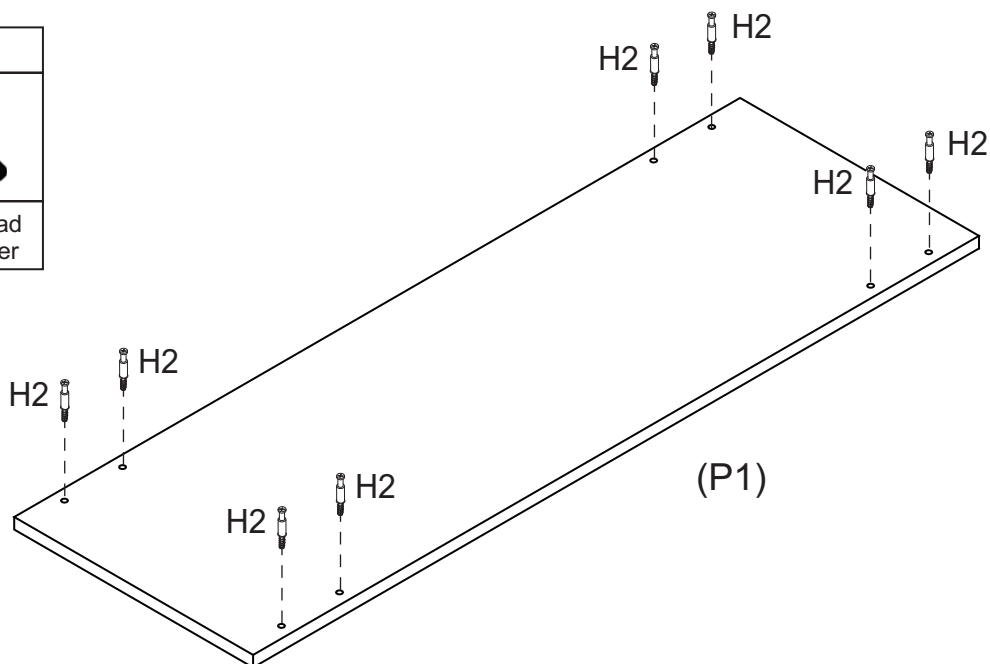
1 x Support Leg
(H5)



1 x Screw
(H6)

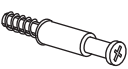

Step 1

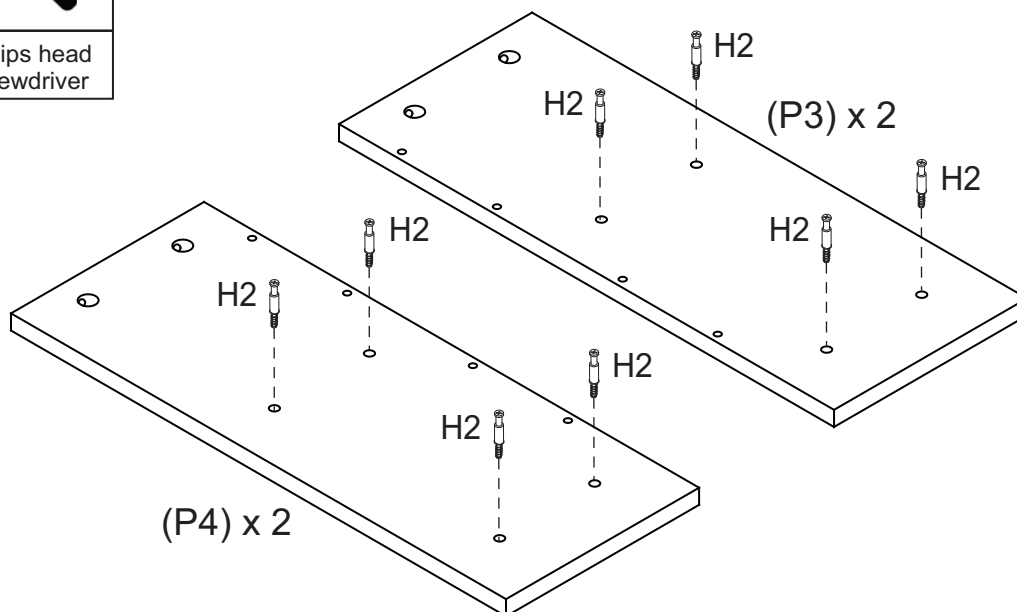
| You will need | |
|---|---|
|  |  |
| 8 x Cam Bolts (H2) | Phillips head screwdriver |



Attach 8 x Cam Bolts (H2) into Top Panel (P1).
Tighten Cam Bolts using a Phillips head screwdriver.



Step 2

| You will need | |
|---|---|
|  |  |
| 16 x Cam Bolts (H2) | Phillips head screwdriver |

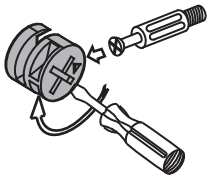


Attach 8 x Cam Bolts (H2) into Left Side Panel (P3) and Right Side Panel (P4) using a Phillips head screwdriver.
Repeat Step 2 for another Left Side Panel (P3) and Right Side Panel (P4).

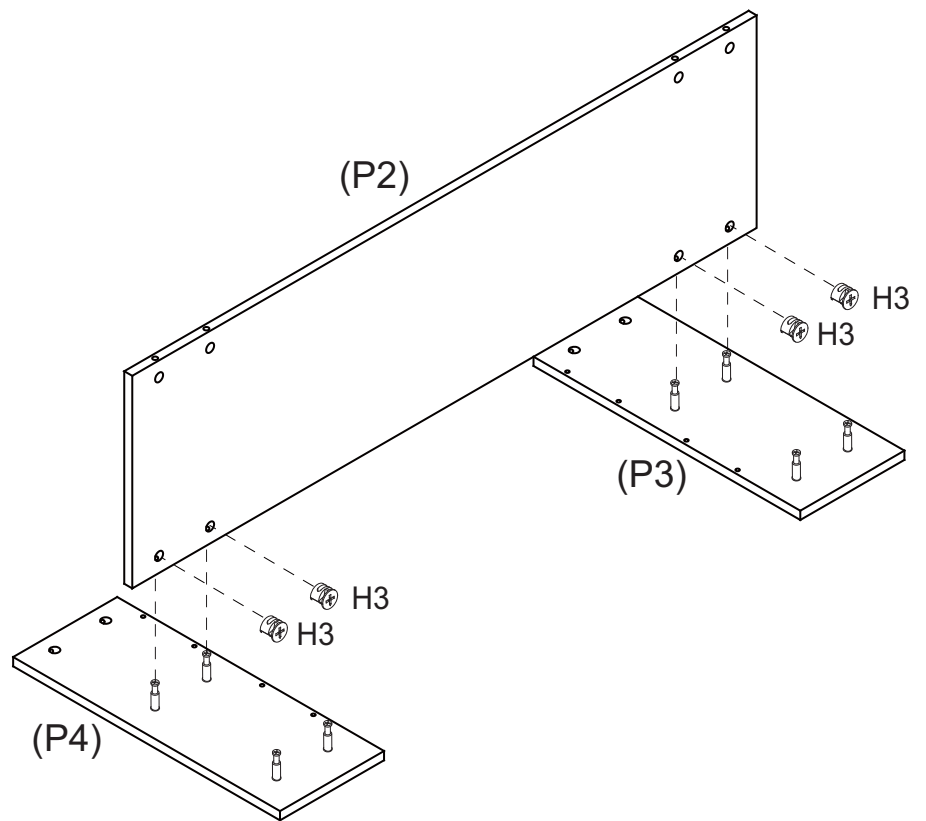
Step 3

| You will need | |
|---|---|
|  |  |
| 4 x Cam Nuts (H3) | Flat head screwdriver |

This is how a cam nut works.....




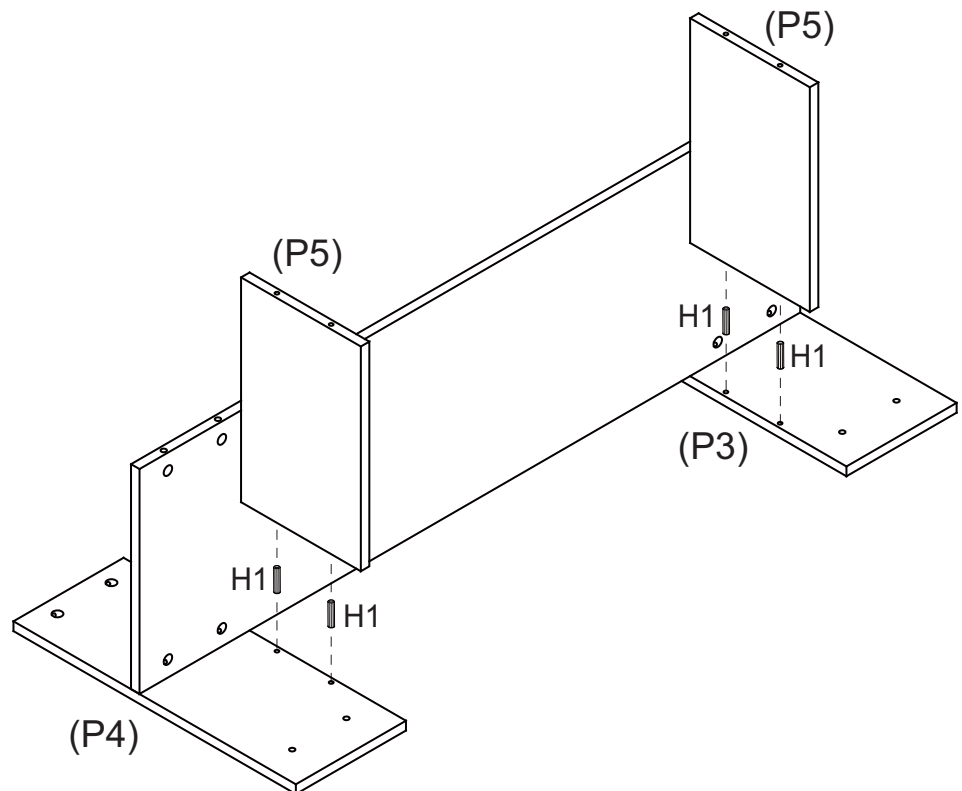
The head of the cam bolt goes into the open mouth of the cam nut. You then turn the cam nut so it tightens over the bolt.



Insert 4 x Cam Nuts (H3) into the holes of Shelf Panel (P2) as shown. Rotate the cam nuts so the arrows point towards the incoming cam bolts. Attach Side Panels (P3, P4) to Shelf Panel (P2), then tighten the cam nuts using a Flat head screwdriver.



Step 4

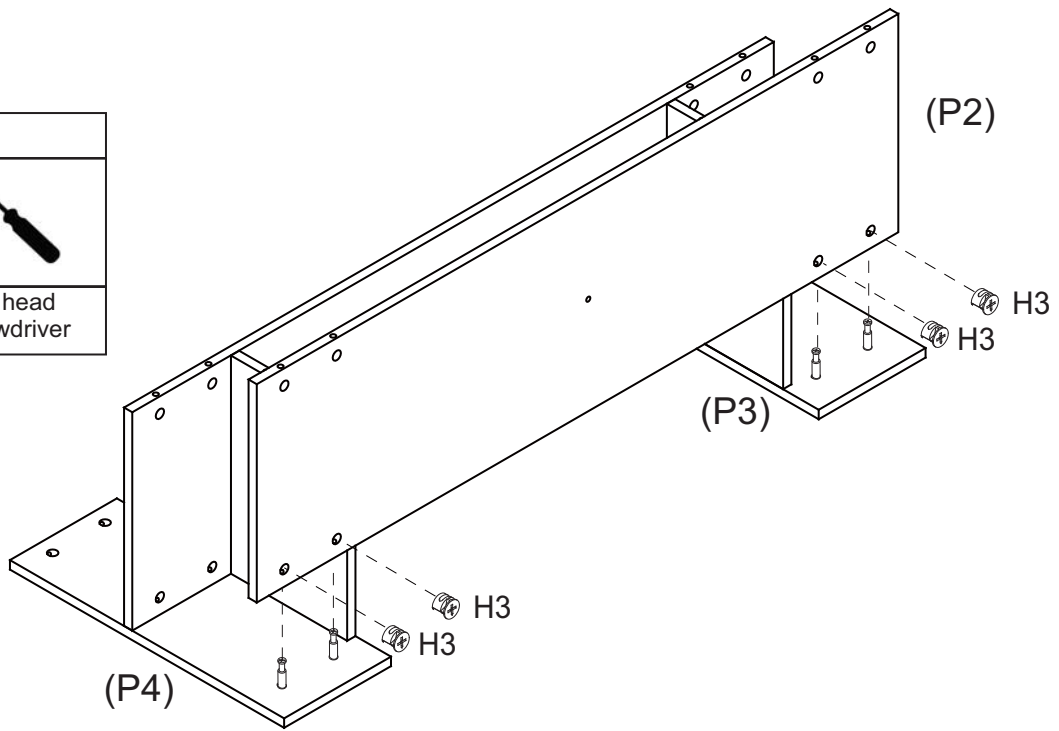
| You will need | |
|---|--|
|  | |
| 4 x Dowels (H1) | |



Insert 4 x Dowels (H1) into Side Panels (P3, P4). Put Dividers (P5) to the place as shown.


Step 5

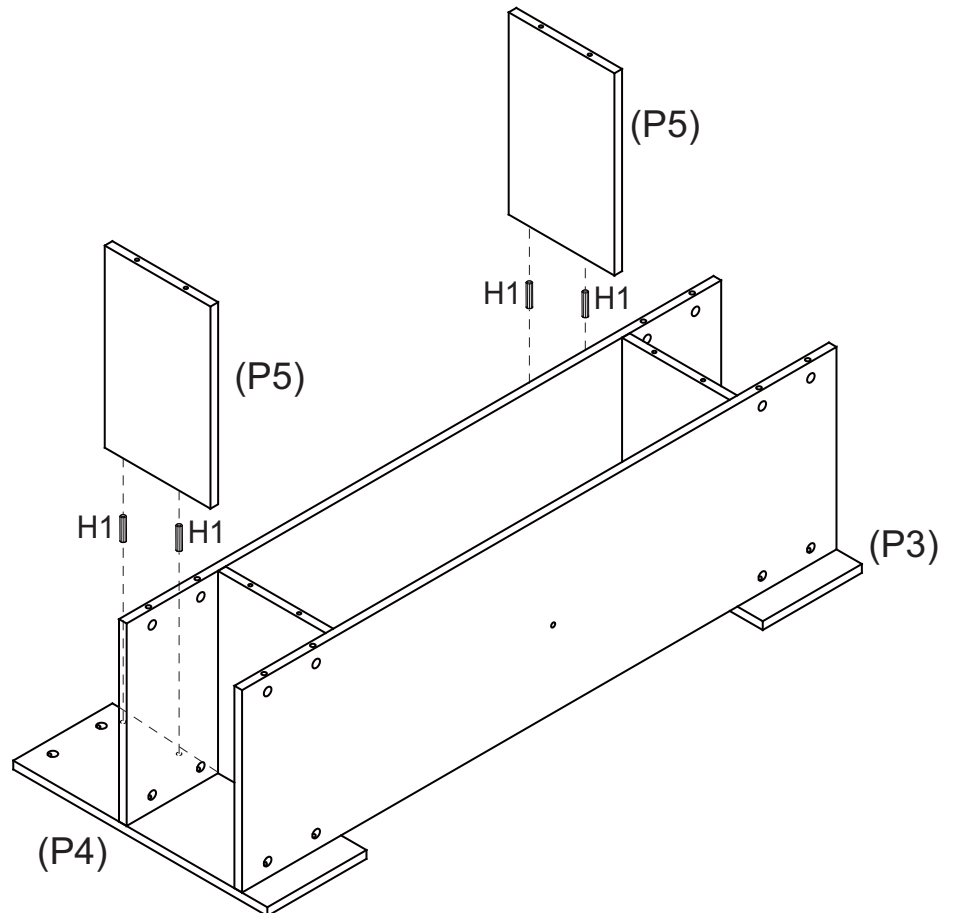
| You will need | |
|---|---|
|  |  |
| 4 x Cam Nuts (H3) | Flat head screwdriver |



Insert 4 x Cam Nuts (H3) into the holes of Shelf Panel (P2) as shown. Rotate the cam nuts so the arrows point towards the incoming cam bolts. Attach Side Panels (P3, P4) to Shelf Panel (P2), then tighten the cam nuts using a Flat head screwdriver.

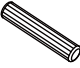


Step 6

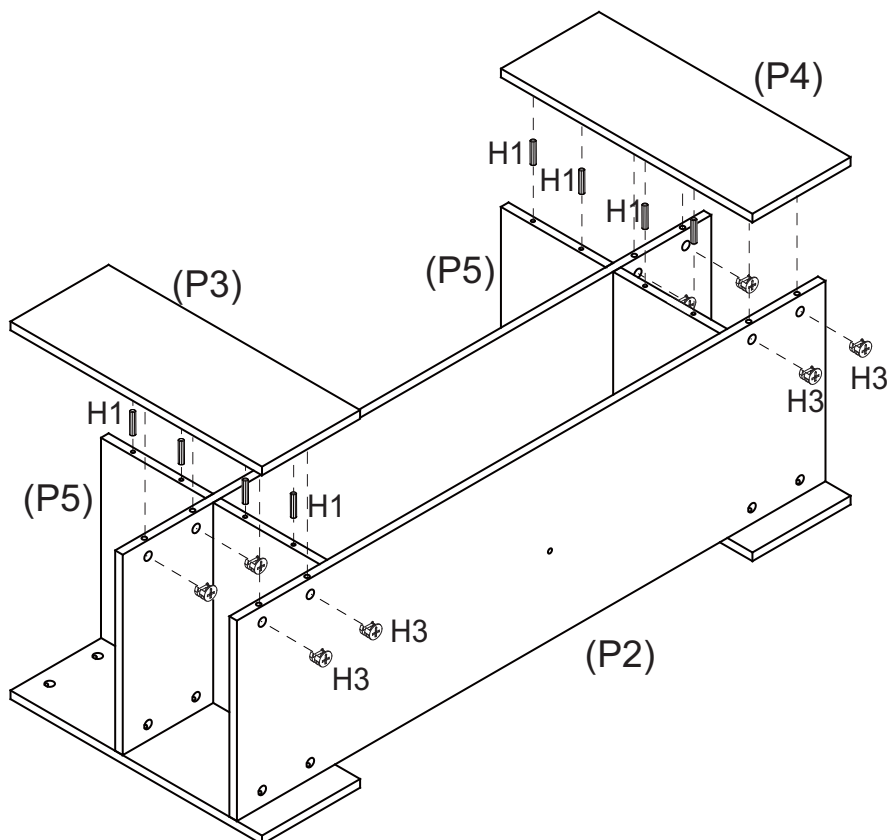
| You will need | |
|---|--|
|  | |
| 4 x Dowels (H1) | |



Insert 4 x Dowels (H1) into Side Panels (P3, P4). Put Dividers (P5) to the place as shown.



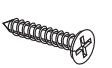


Step 7

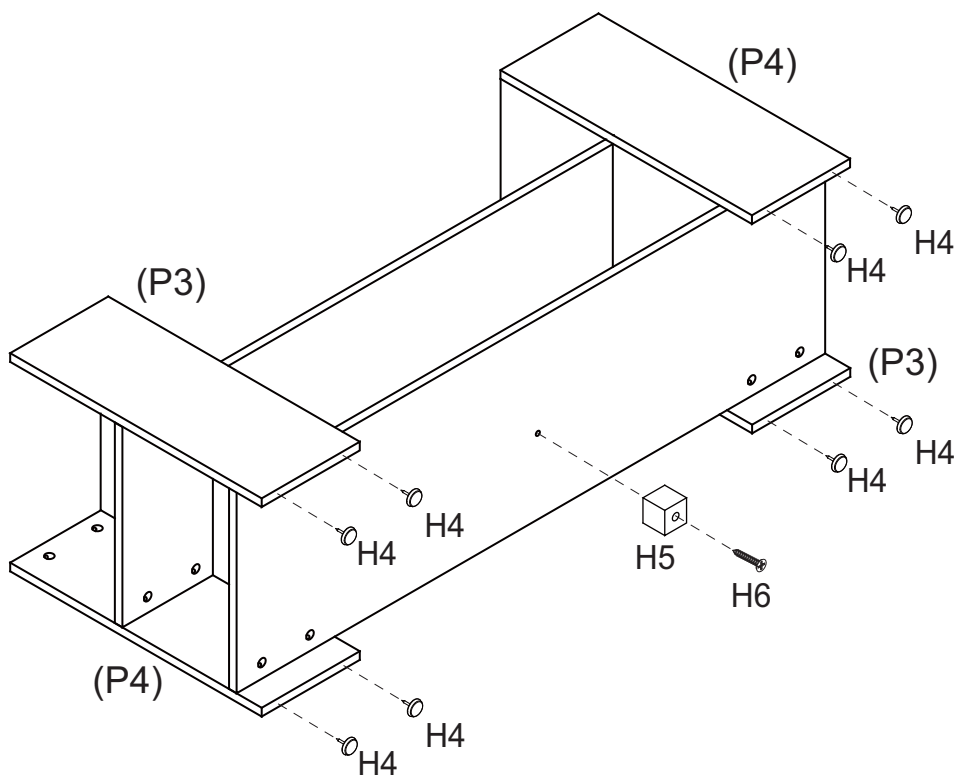
| You will need | |
|---|---|
|  |  |
| 8 x Dowels (H1) | 8 x Cam Nuts (H3) |
|  | |
| Flat head screwdriver | |



Insert 8 x Dowels (H1) into Dividers (P5).
 Insert 8 x Cam Nuts (H3) into the holes of Shelf Panel (P2) as shown.
 Rotate the cam nuts so the arrows point towards the incoming cam bolts.
 Attach Side Panels (P3, P4) to Shelf Panels (P2),
 then tighten the cam nuts using a Flat head screwdriver.



Step 8

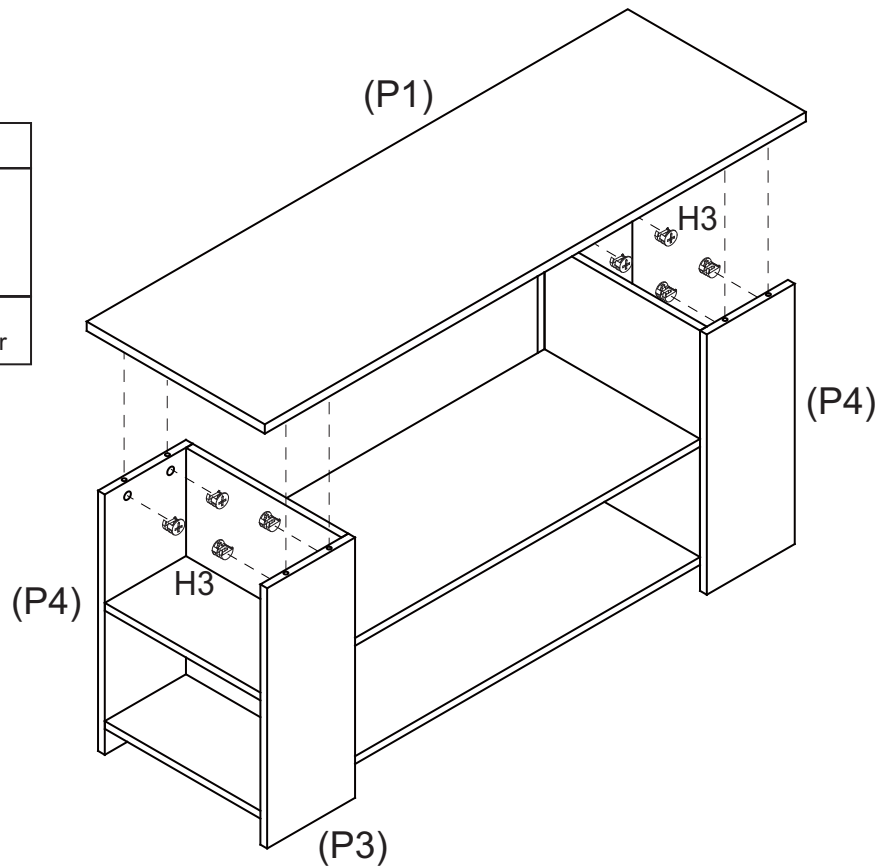
| You will need | |
|---|---|
|  |  |
| 8 x Plastic Glides (H4) | 1 x Support Leg (H5) |
|  |  |
| 1 x Screw (H6) | Phillips head screwdriver |
|  | |
| Hammer | |



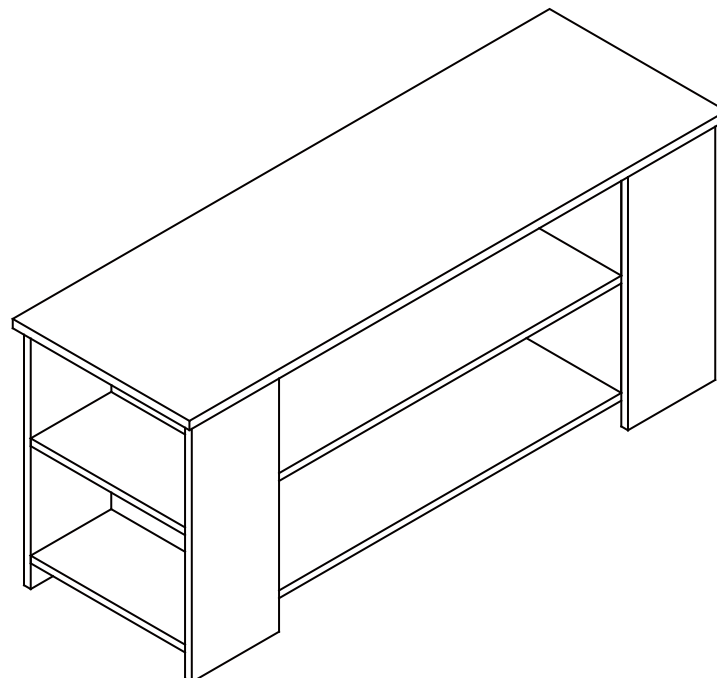
Hammer 8 x Plastic Glides (H4) on to end of Shelf Panels (P3, P4).
 Attach 1 x Support Leg (H5) to the bottom of Shelf Panel (P2) with 1 x Screw (H6).

Step 9

| You will need | |
|---|---|
|  |  |
| 8 x Cam Nuts (H3) | Flat head screwdriver |



Insert 8 x Cam Nuts (H3) into the holes of Side Panels (P3, P4).
Rotate the cam nuts so the arrows point towards the incoming cam bolts.
Attach Top Panel (P1) and tighten the cam nuts using a Flat head screwdriver.



Recommended weight capacity : 80KG.

Job Complete!

In the interest of our environment please dispose of all packaging thoughtfully.