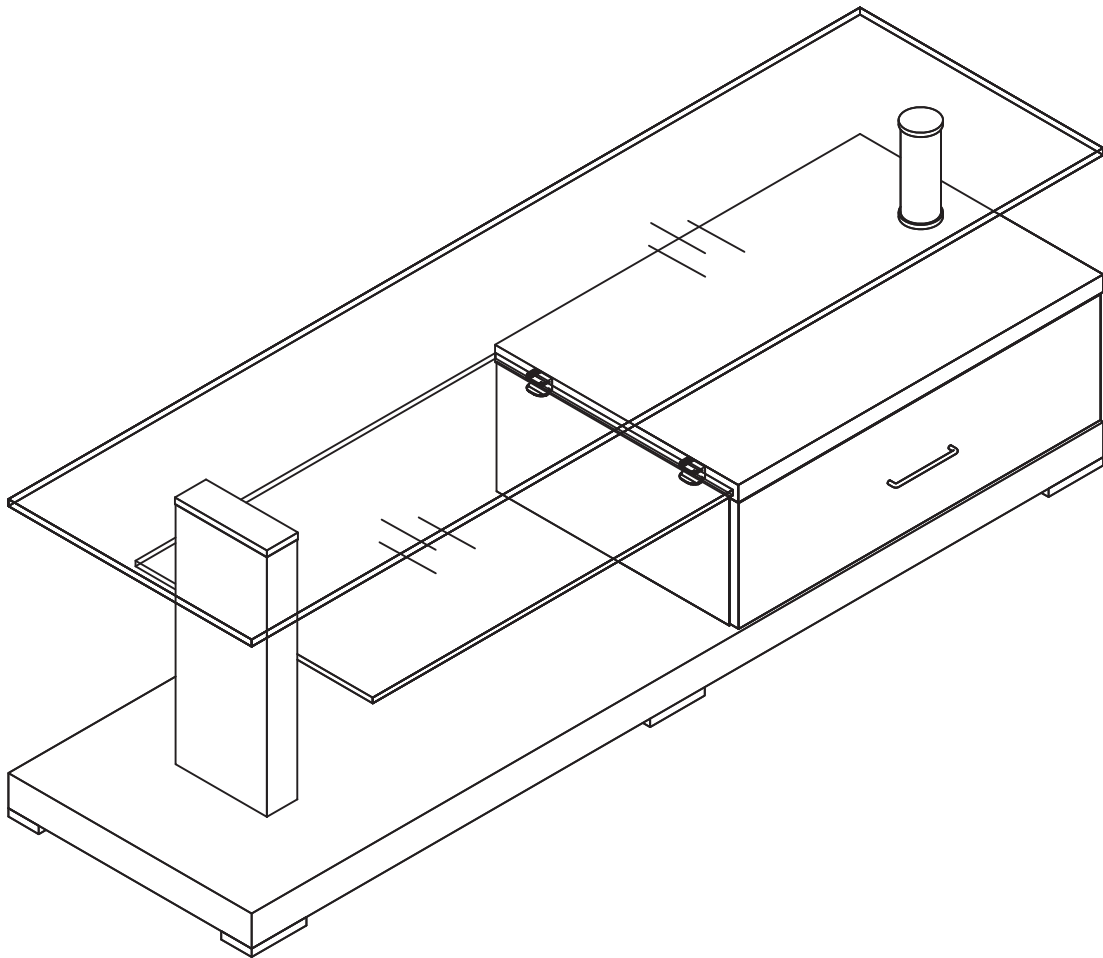


# Assembly Instructions

## MEMPHIS

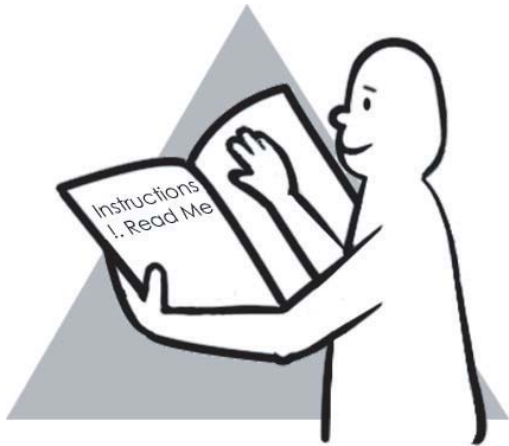
Lowline 1400mm



# WARNING

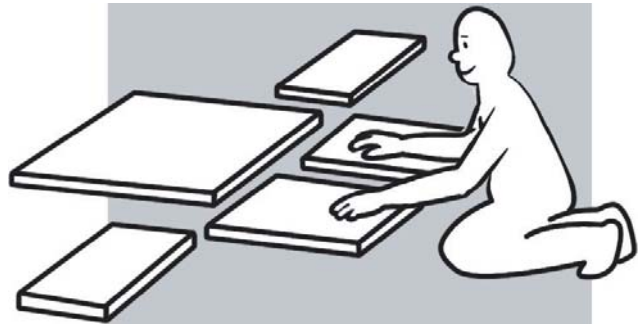
FAILURE TO FOLLOW THESE BASIC STEPS CAN LEAD TO DAMAGE THAT IS NOT COVERED BY YOUR WARRANTY

1



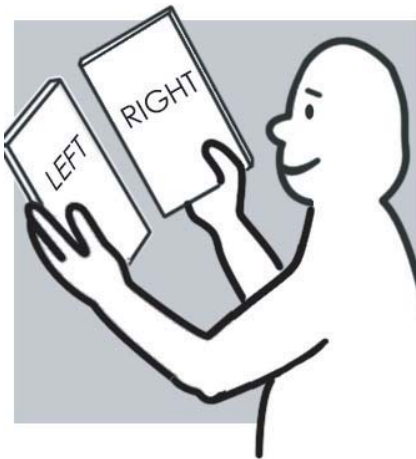
Read Instructions carefully. Check no parts are missing.

2



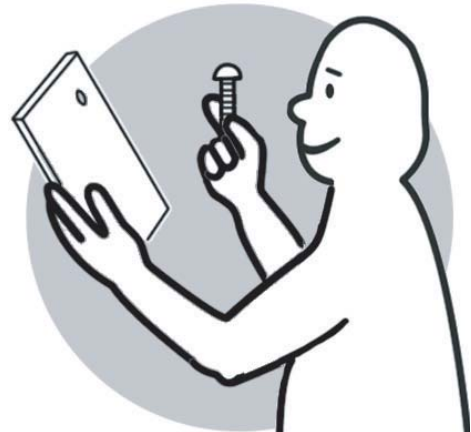
Lay out all of the components on a soft surface as if you were preparing to do a jigsaw puzzle.

3



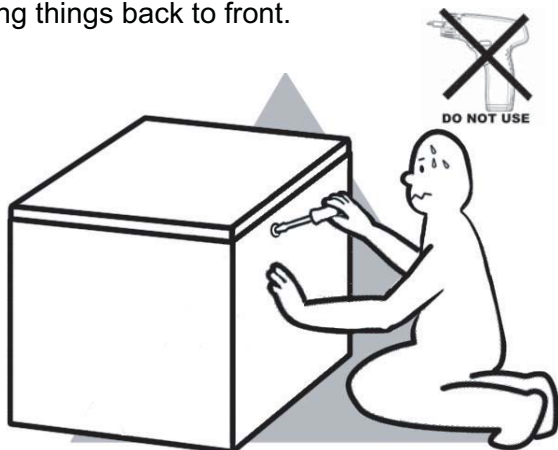
Carefully identify each component, especially those that are similar. The most common mistake is getting things back to front.

4



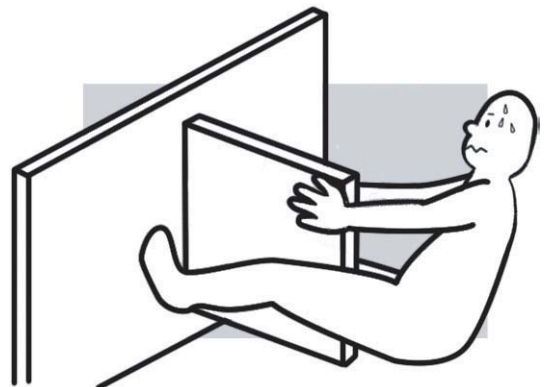
Separate and identify each component from the hardware pack and rest each one in its proper location before fastening.

5



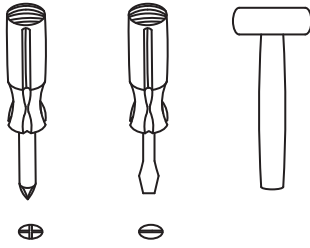
**DO NOT** fully tighten screws (leave slightly loose). When the item is fully assembled tighten the screws - but do not over tighten.

6

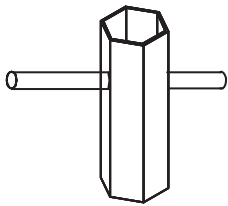
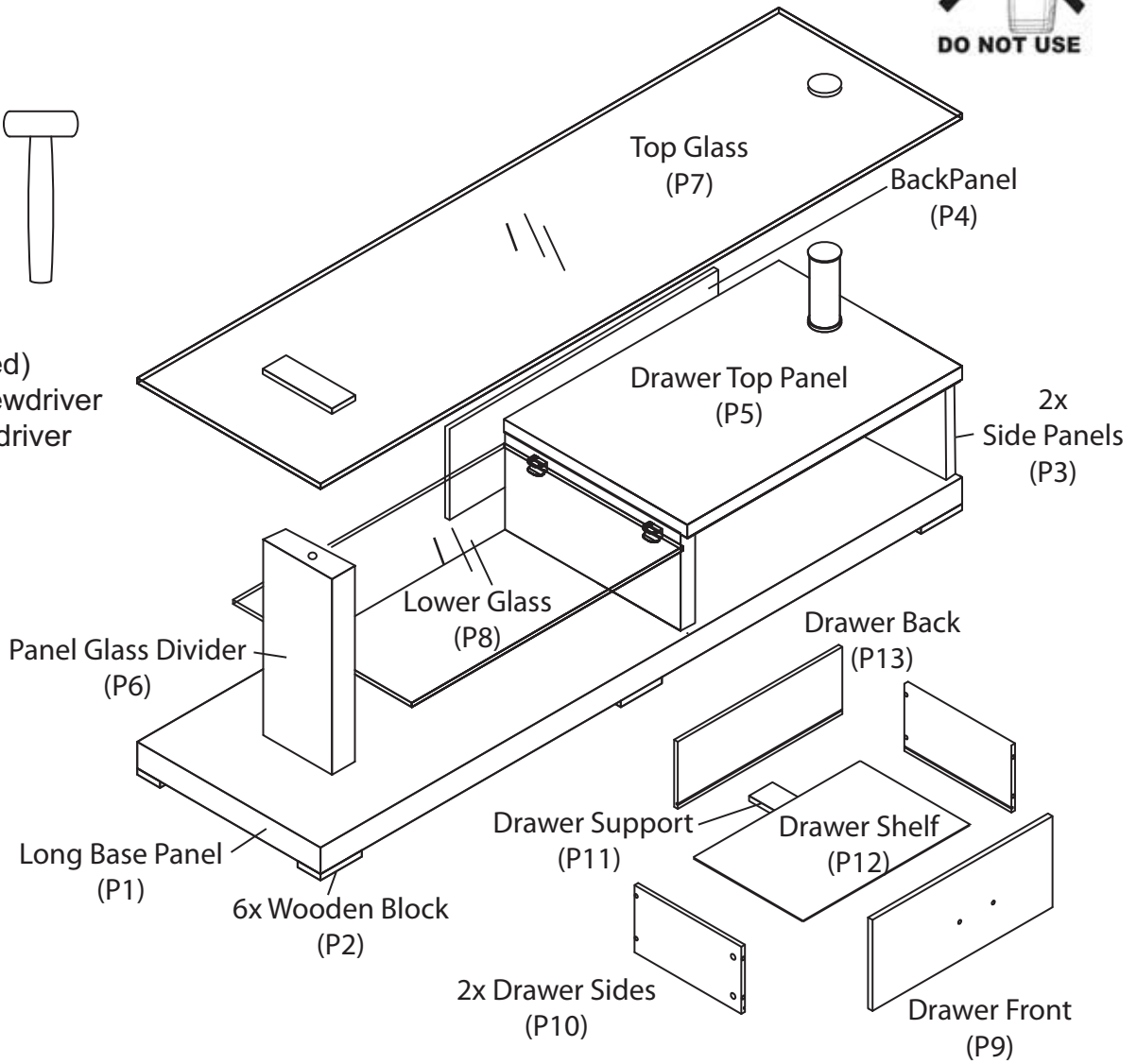


If glue is required **DO NOT** set until you are certain that the parts belong together.




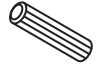





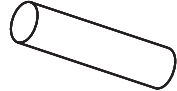




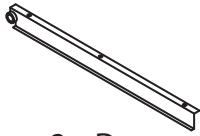


# What You Need



(tools not provided)  
 Phillips Head Screwdriver  
 Flat Head Screwdriver  
 Mallet



1 x Socket Wrench

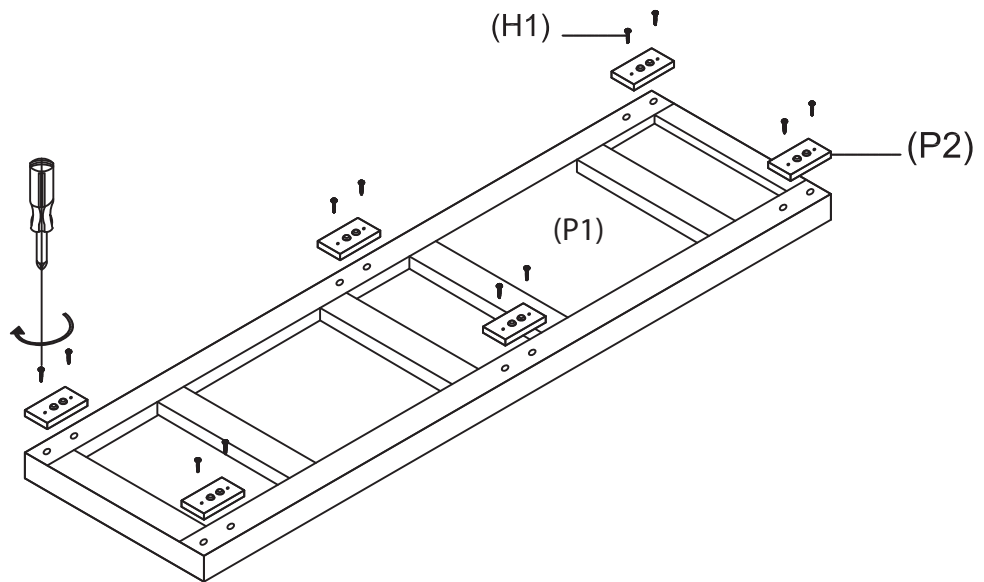
- |   |  |   |  |  |   |
|---|--|---|--|--|---|
| <br>12 x Dome Head Screws (H1) | <br>13 x Small Cam Nut and Bolts (H2) | <br>8 x Big Cam Nut and Bolts (H3) | <br>10 x Wooden Dowels (H4)         | <br>10 x Short Timber Screws (H5) | <br>2 x Drawer Runner Track (H6) |
| <br>4 x Glass Clamps (H7)      | <br>1 x Short Threaded Rod (H8)       | <br>1 x Long Threaded Rod (H9)     | <br>1 x Stainless Steel Tube (H10) | <br>1 x Tube Cover (H11)          | <br>2 x Washer (H12)             |
| <br>2 x Nut (H13)              | <br>5 x Long Screws (H14)             | <br>2 x Drawer Runners (H15)       | <br>2 x Bolts (H16)                 | <br>1 x Drawer Handle (H17)       |   |

Please check that you have everything before starting the assembly.

# Step 1

You will need:

12 x Dome Head  
Screws  
(H1)

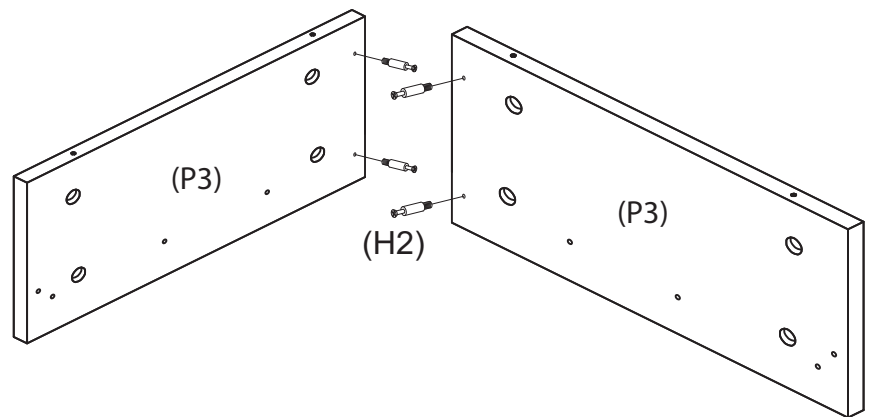


Carefully align the edges of the Wooden Blocks (P2) with the edges of Long Base Panel (P1), then fix with 12 x Dome Head Screws (H1)

# Step 2

You will need:

4x Small Cam Bolts  
(H2)

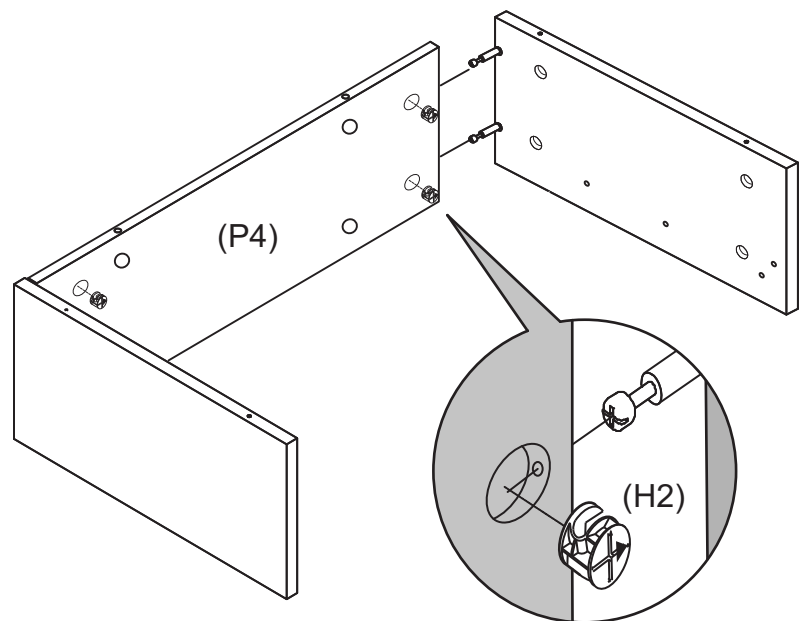


Insert 4x Small Cam Bolts (H2) into 2x Side Panels (P3)

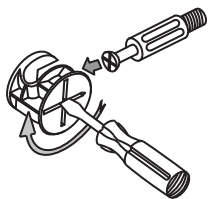
# Step 3

You will need:

4 x Small Cam  
Nuts  
(H2)



This is how a cam nut works.....






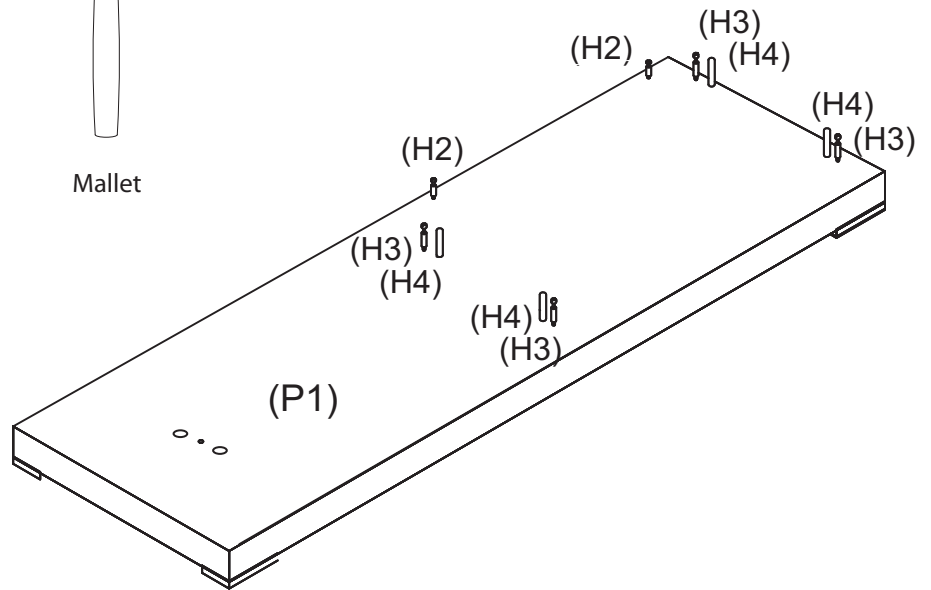
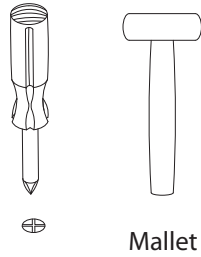
The head of the bolt goes into the wide mouth of the cam nut. You then turn the nut so the narrow part closes over the bolt.

Insert the 4x Small Cam Nuts (H2) into the Back Panel (P4).  
Rotate the cam nuts so the arrows point towards the incoming cam Bolts.  
Push the Side Panels into place and tighten the cam nuts.

# Step 4

You will need:



2 x Small Cam Bolts (H2)	
4 x Big Cam Bolts (H3)	
4 x Wooden Dowels (H4)	

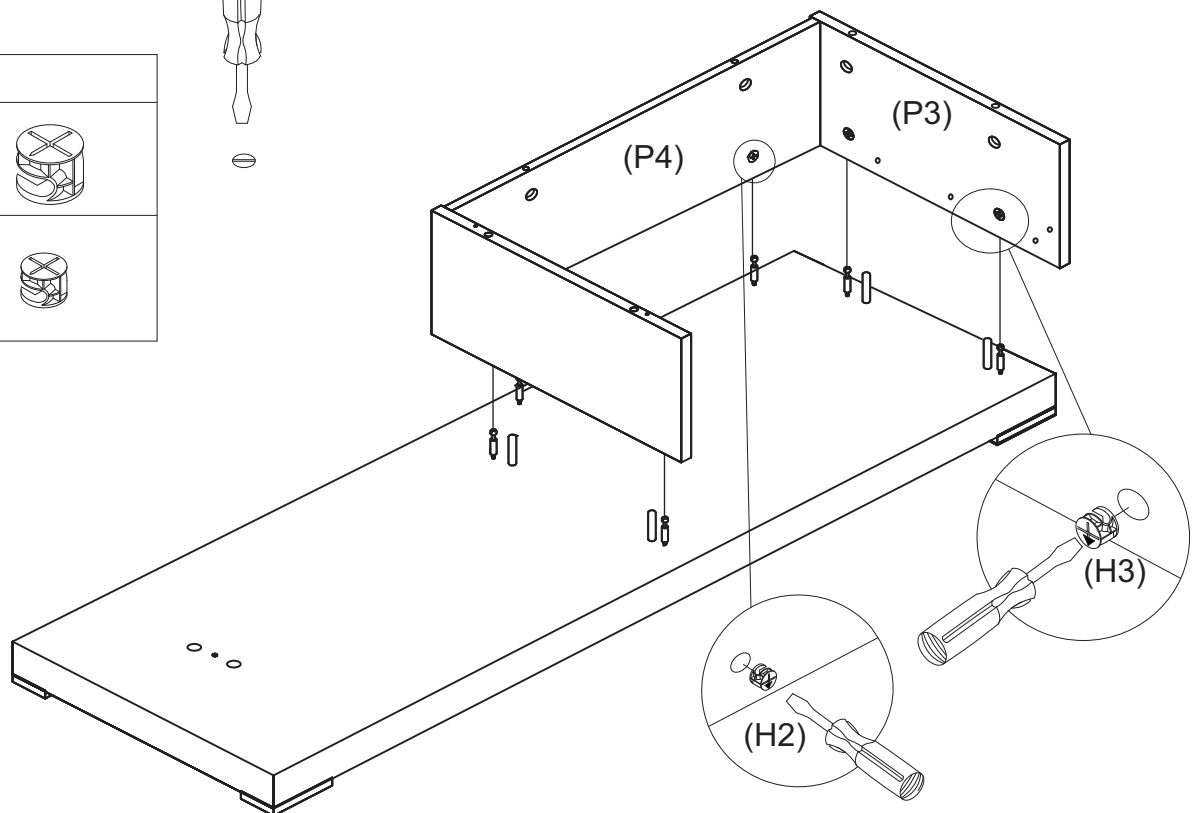


Insert 2x Small Cam Bolts (H2), then 4x Big Cam Bolts (H3) and 4x Wooden Dowels (H4) into the Long Base Panel (P1).

# Step 5

You will need:


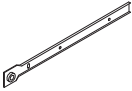
4 x BigCam Nuts (H3)	
2 x Small Cam Nuts (H2)	

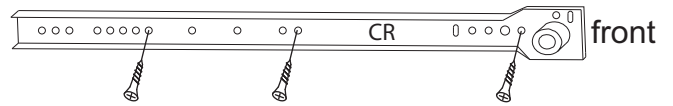


Insert 2x Small Cam Nuts (H2) into the Back Panel and (P4) and 4x Big Cam Nuts (H3) into the Side Panels (P3).

Rotate the cam nuts so the arrows point towards the incoming cam bolts.  
Push the Back and Side Panels into place and tighten the cam nuts.

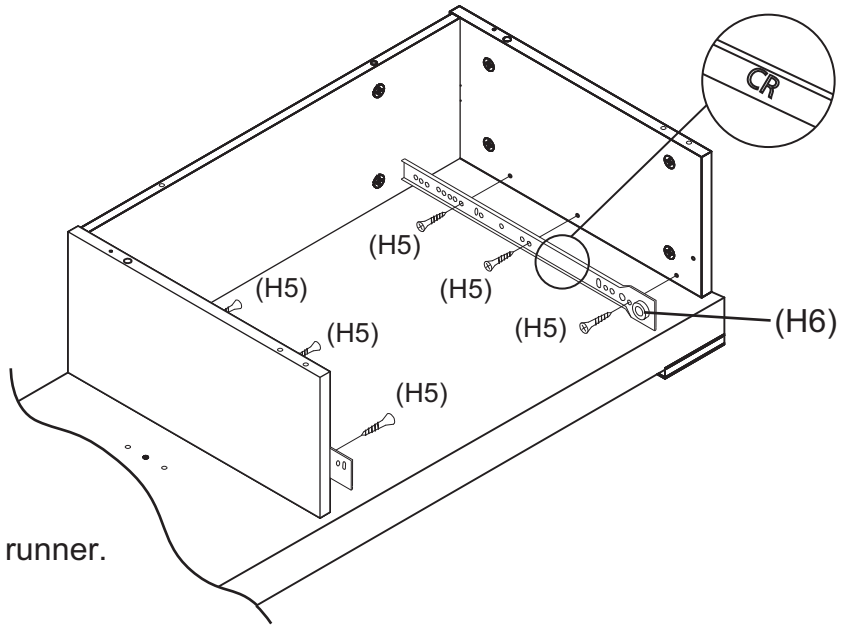
# Step 6

You will need:	
6 x Short Timber Screws (H5)	
2 x Drawer Runner Tracks (H6)	






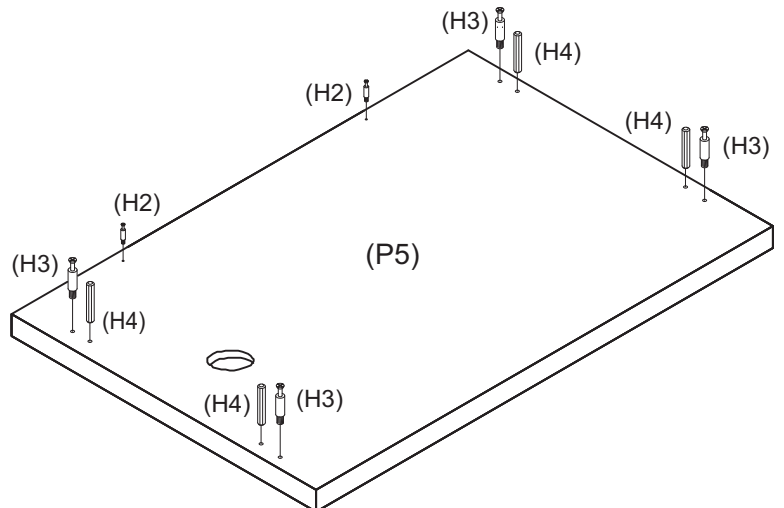
Attach 2x Drawer Runner Tracks (H6), to Side Panels with 6x Short Timber Screws (H5).

**Note:**  
Attach screws loosely. Then tighten the front screw first, making sure the screw aligns in the centre of the hole in the drawer runner. Then tighten the other screws.





# Step 7

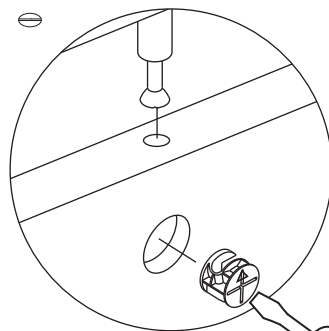
You will need:	
2 x Small Cam Bolts (H2)	
4 x Big Cam Bolts (H3)	
4 x Wooden Dowels (H4)	



Insert 2x Small Cam Bolts (H2), 4x Big Cam Bolts (H3) and 4x Dowels (H4) into Drawer Top Panel (P5).

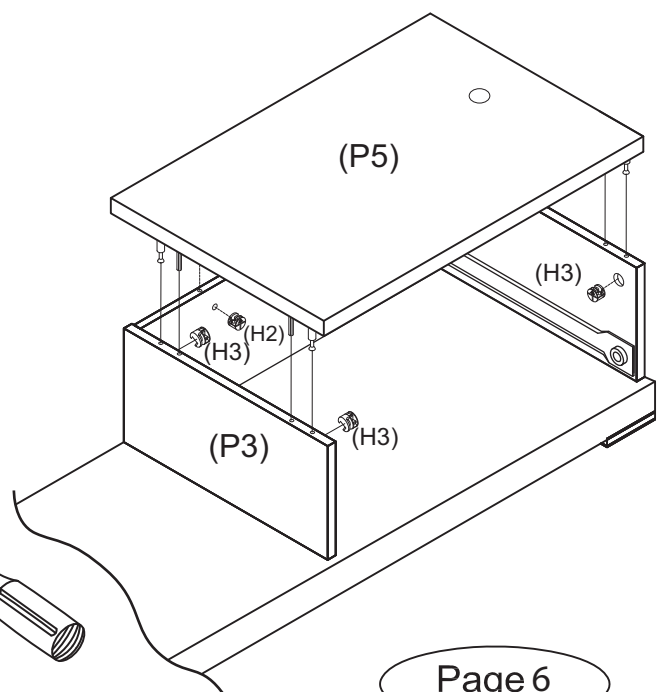
# Step 8

You will need:	
2 x Small Cam Nuts (H2)	
4 x Big Cam Nuts (H3)	



Insert 2x Small Cam Nuts (H2) into the Back Panel, then 4x Big Cam Nuts into Side Panels (P3). Rotate the cam nuts so the arrows point towards the incoming cam bolts.

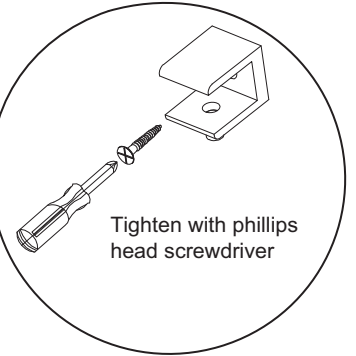
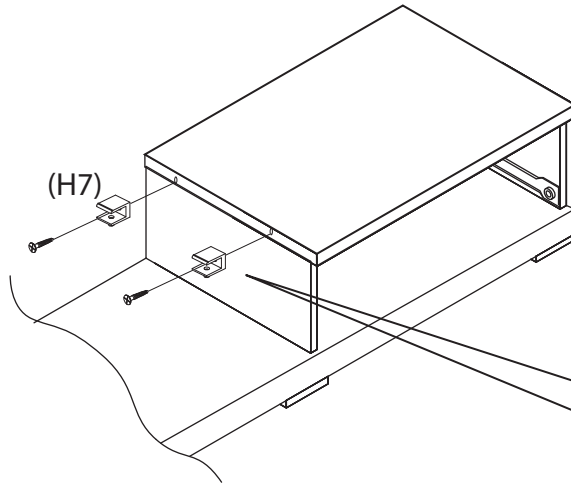
Push the Drawer Top Panel (P5) into place and tighten the cam nuts.



# Step 9

You will need:

2x Glass Clamps  
(H7)



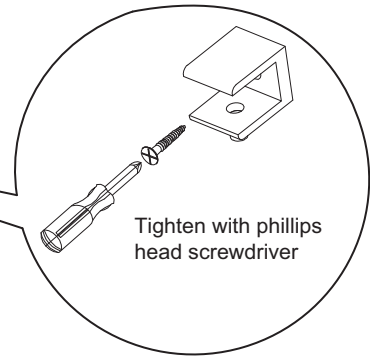
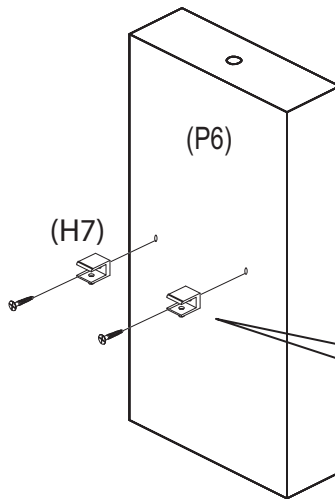
Tighten with phillips head screwdriver

Fix 2x Glass Clamps (H7) to Drawer Top Panel (P5)

# Step 10

You will need:

2x Glass Clamps  
(H7)



Tighten with phillips head screwdriver

Fix 2X Glass Clamps (H7) to Panel Glass Divider (P6).

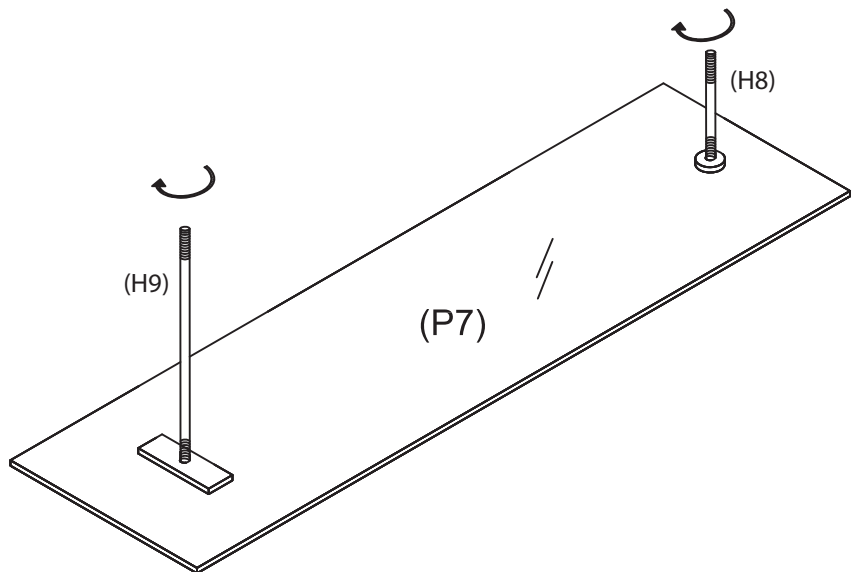
# Step 11

You will need:

1 x Short  
Threaded Rod  
(H8)



1 x Long  
Threaded Rod  
(H9)

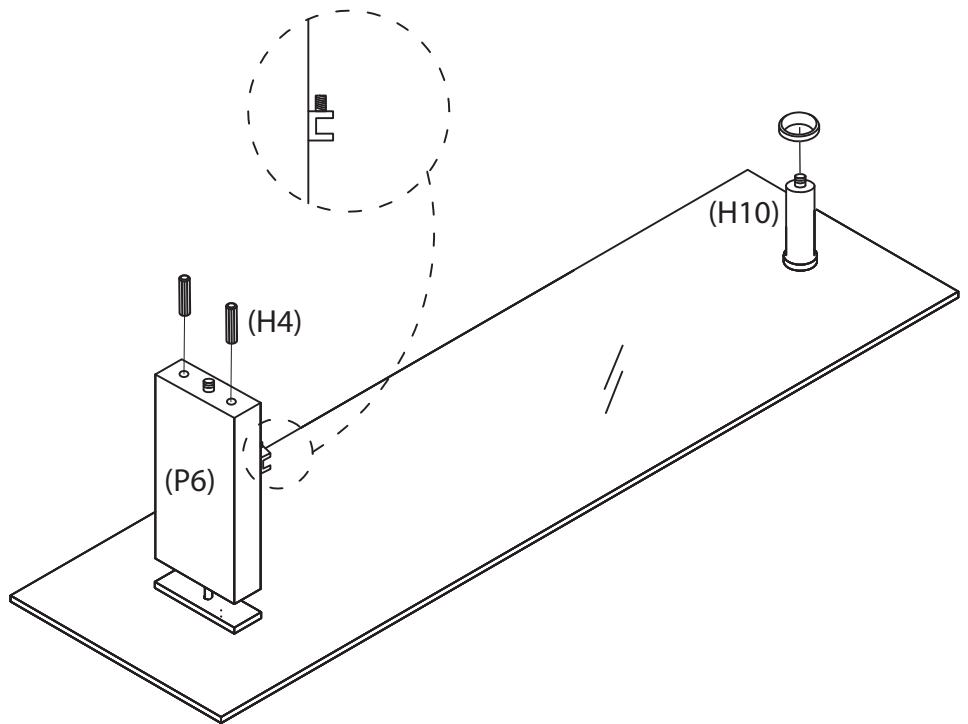


Screw Short Threaded Rod (H8) into disc, and Long Threaded Rod (H9) into rectangular block on Top Glass (P7). Tighten by hand.

# Step 12

note: Position the Panel Glass Divider with the Glass Clamp as shown.

You will need:	
1x Stainless Steel Tube (H10)	
1x Tube Cover (H11)	
2x Wooden Dowels (H4)	



Place Stainless Steel Tube (H10) and Tube Cover (H11) over Short Threaded Rod.

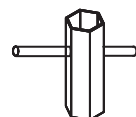
Place Panel Glass Divider (P6) as shown over Long Threaded Rod.

Insert 2x Wooden Dowel (H4) into Panel Glass Divider (P6).

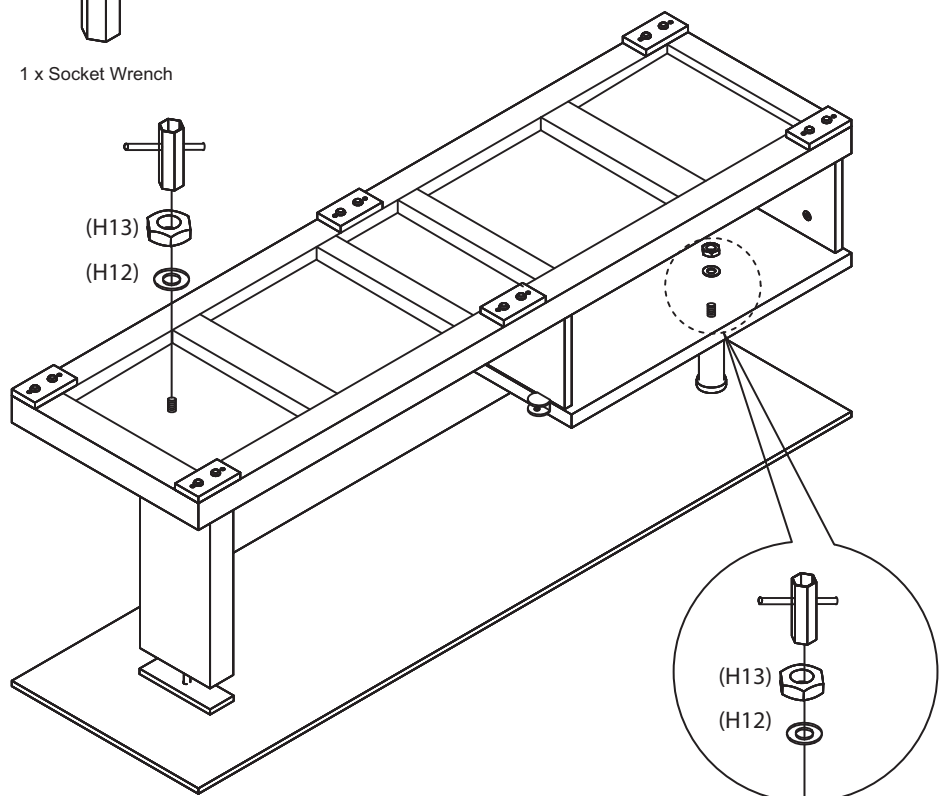
# Step 13

**\* Difficult step \***

You will need:	
2 x Washer (H12)	
2 x Nut (H13)	



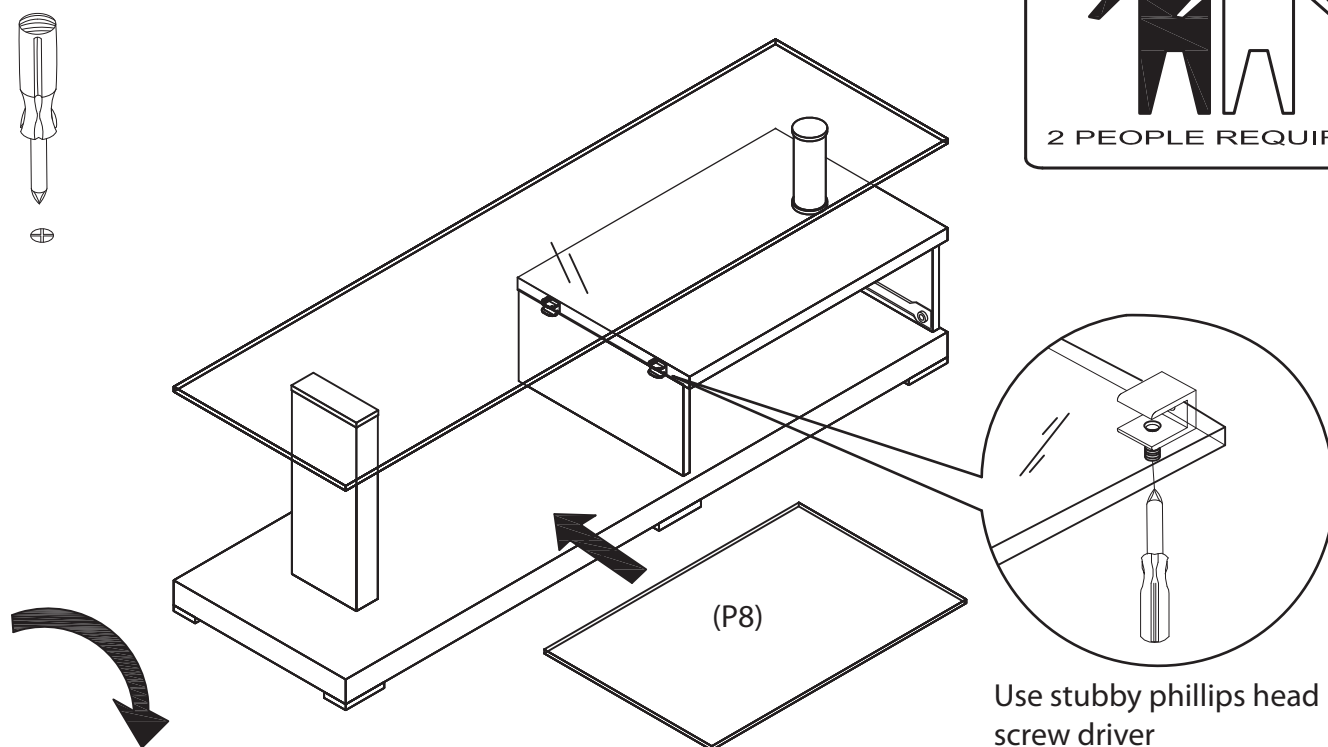
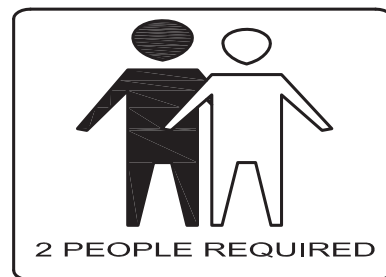
1 x Socket Wrench



Two people carefully turn over and lift assembled base over threaded rods. Fasten tightly with 2x Washers (H12) and 2x Nuts (H13) using socket wrench provided.



# Step 14



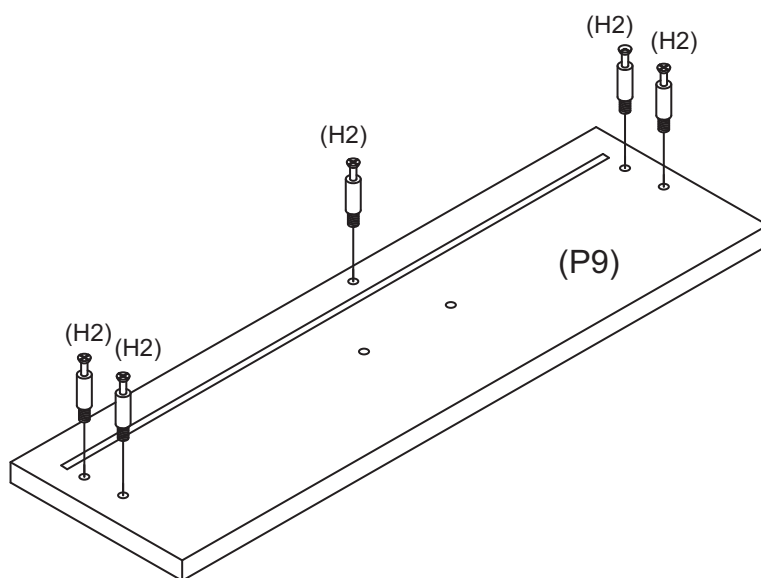
Two people carefully turn over the assembled body, then insert Lower Glass (P8) into position as shown. Tighten Glass Clamps with stubby Phillips Head screwdriver.

## Now Assemble the Drawer

# Step 15

You will need:

5 x Small Cam Bolts (H2)

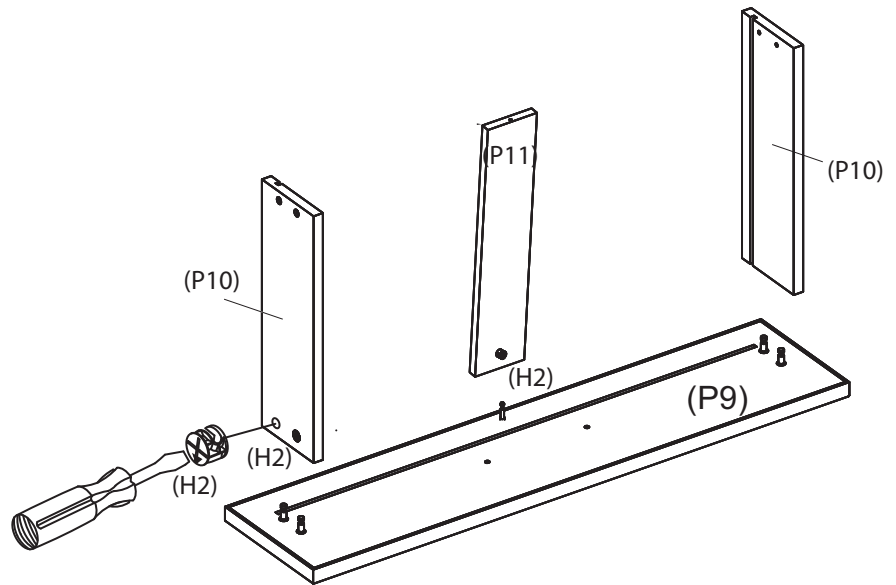


Screw 5x Small Cam Bolts (H2) into Drawer Front (P9).

# Step 16

You will need:

5 x Small Cam Nuts  
(H2)

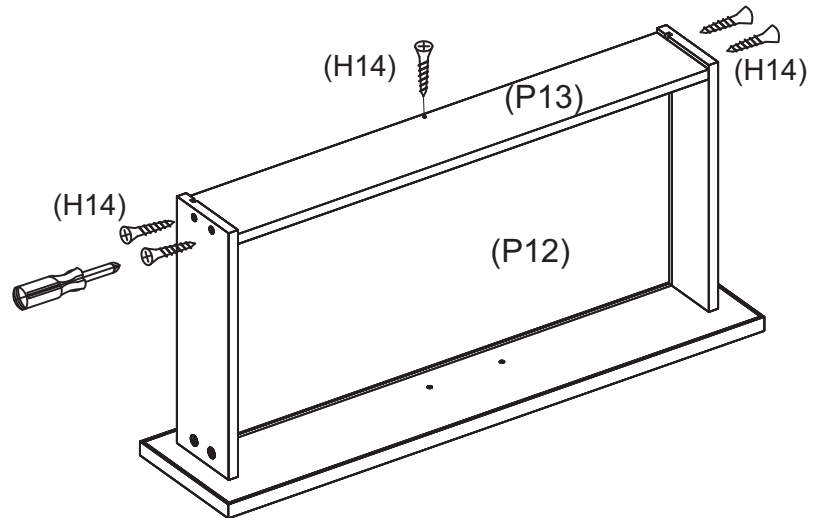


Insert the 5x Small Cam Nuts (H2) into the Drawer Sides (P10) and Drawer Support (P11). Rotate the cam nuts so the arrows point towards the incoming cam bolts. Push the Drawer Side and Drawer Support into place and tighten the cam nuts.

# Step 17

You will need:

5 x Long Screws  
(H14)



Insert the Drawer Shelf (P12) into the groove on Drawer Sides and Drawer Front, then attach Drawer Back (P13) with 5x Long Screws (H14).

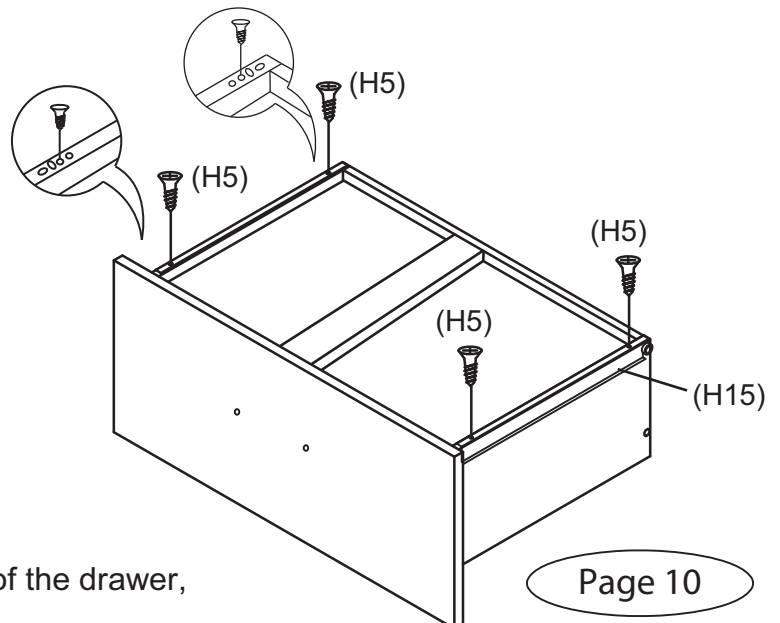
# Step 18

You will need:

4 x Short Timber  
Screws  
(H5)





2 x Drawer Runners  
(H15)

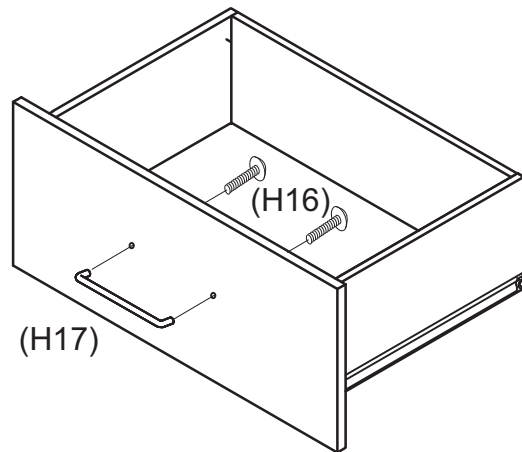


Attach Drawer Runners (H15) to the underside of the drawer, with 4x Short Timber Screws (H5).

# Step 19

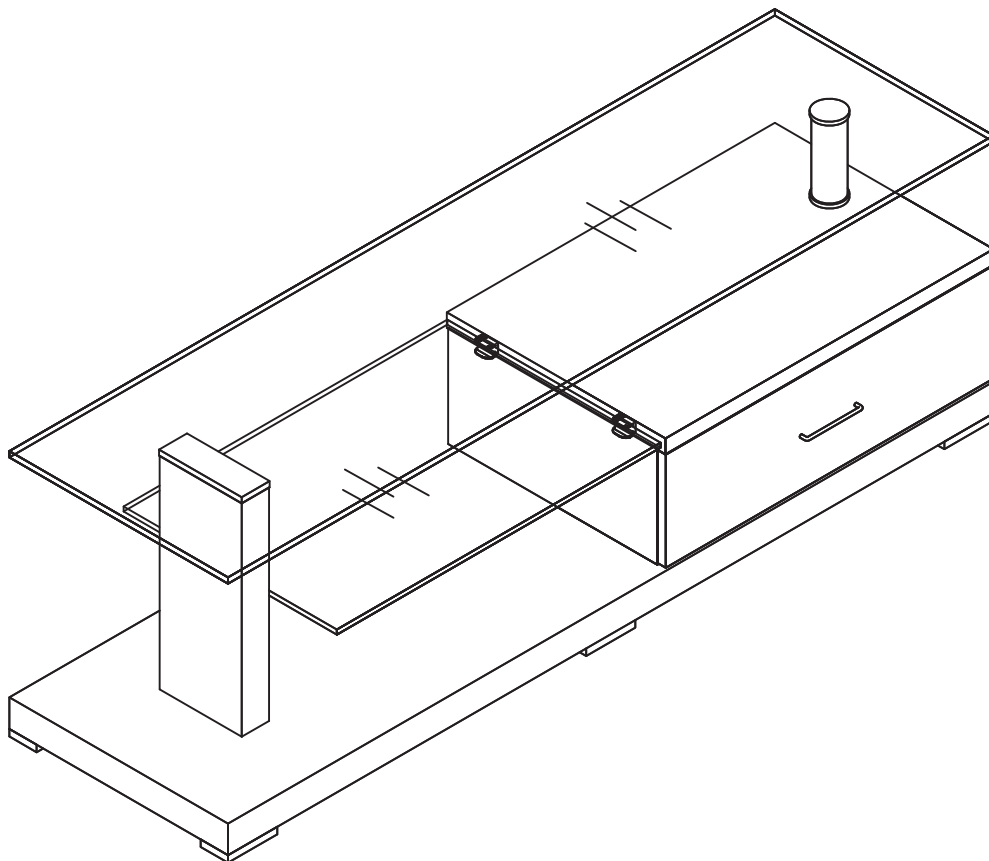
You will need:

2 x Bolts (H16)	
1 x Drawer Handle (H17)	



Attach Drawer Handle (H17) to drawer with 2x Bolts (H16). Insert drawer into assembled unit.

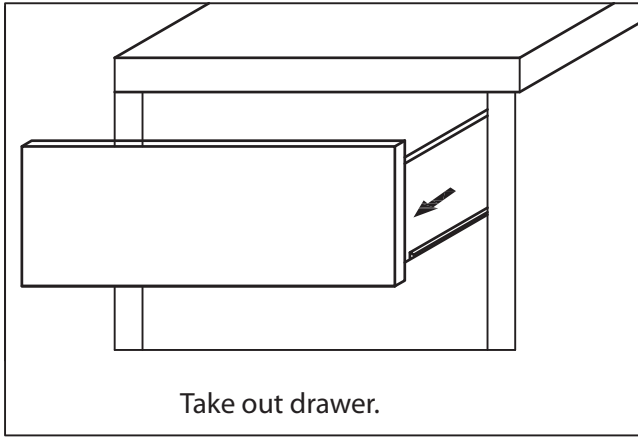
The job is now complete!



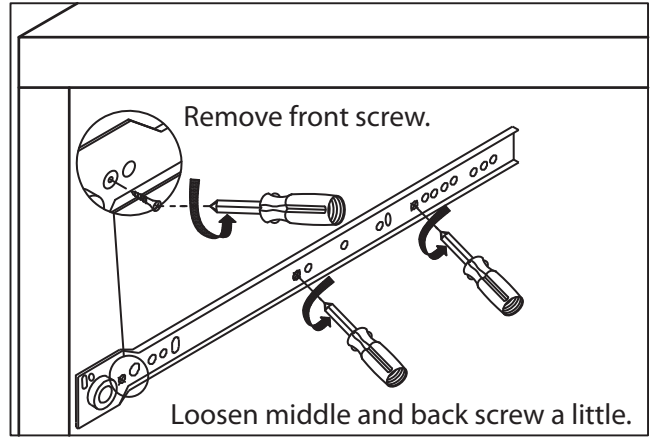
In the interest of our environment please dispose of all packaging thoughtfully.

# TO ADJUST YOUR DRAWER FRONTS TO MAKE THE GAPS MORE EVEN (OPTIONAL).

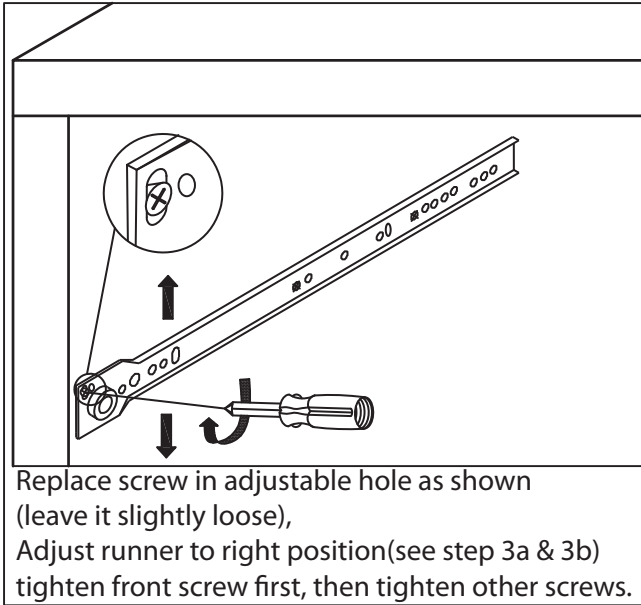
## STEP 1



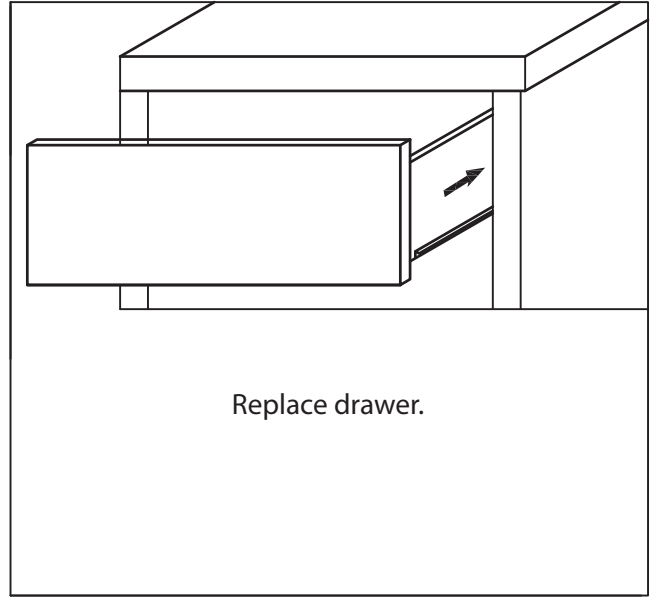
## STEP 2



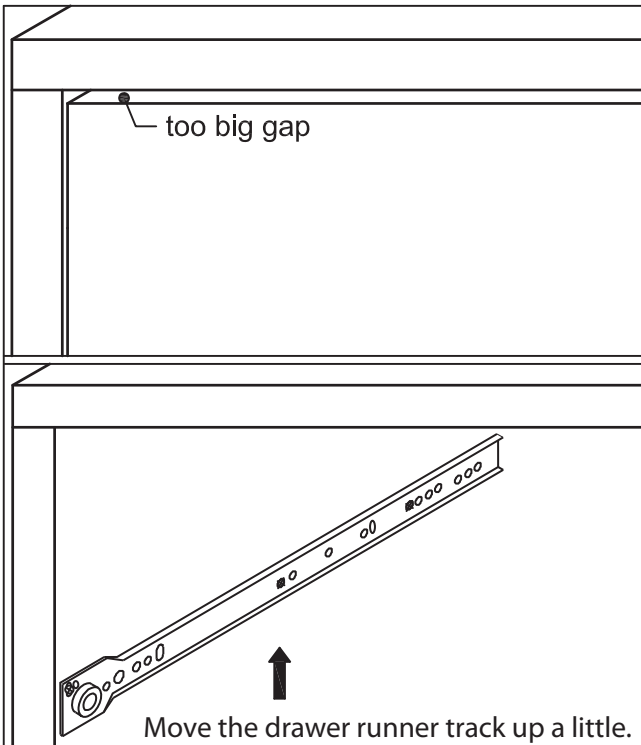
## STEP 3



## STEP 4



## STEP 3a to move drawer up.



## STEP 3b to move drawer down.

