

Assembly Instructions

GECKO

Bed Single



WARNING

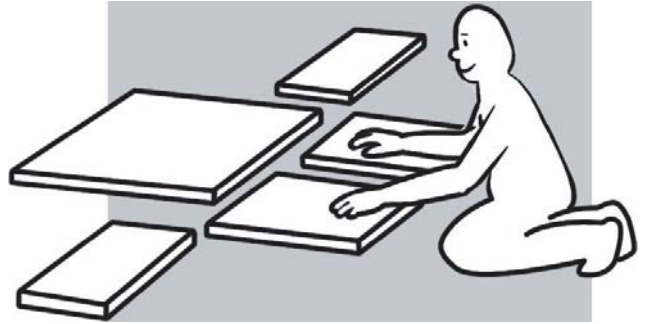
FAILURE TO FOLLOW THESE BASIC STEPS CAN LEAD TO DAMAGE THAT IS NOT COVERED BY YOUR WARRANTY

1



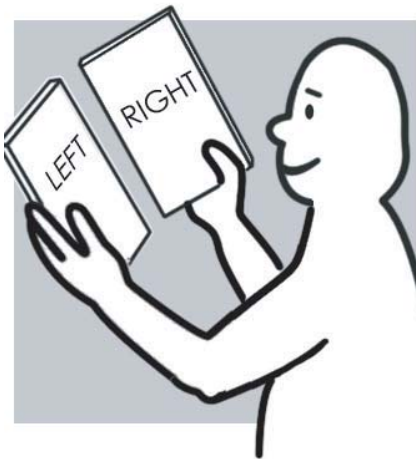
Read Instructions carefully. Check no parts are missing.

2



Lay out all of the components on a soft surface as if you were preparing to do a jigsaw puzzle.

3



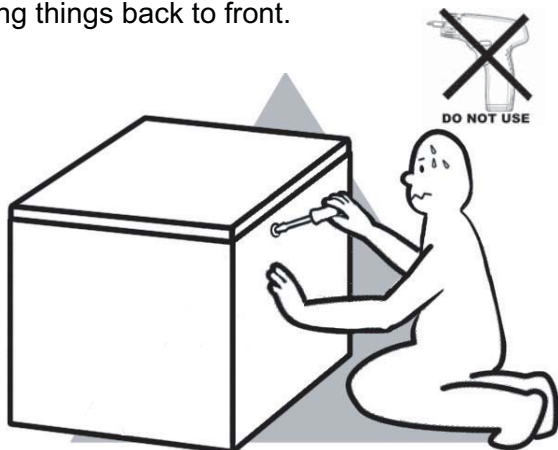
Carefully identify each component, especially those that are similar. The most common mistake is getting things back to front.

4



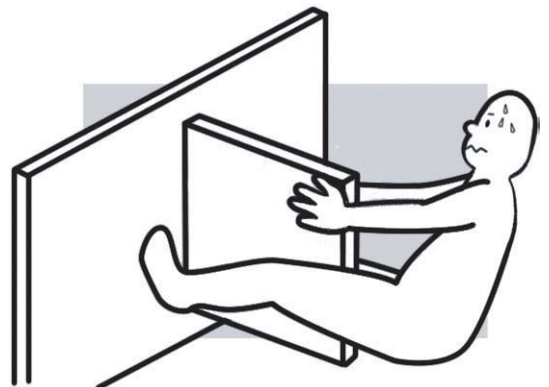
Separate and identify each component from the hardware pack and rest each one in its proper location before fastening.

5



DO NOT fully tighten screws (leave slightly loose). When the item is fully assembled tighten the screws - but do not over tighten.

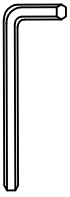
6



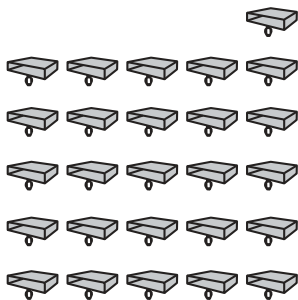
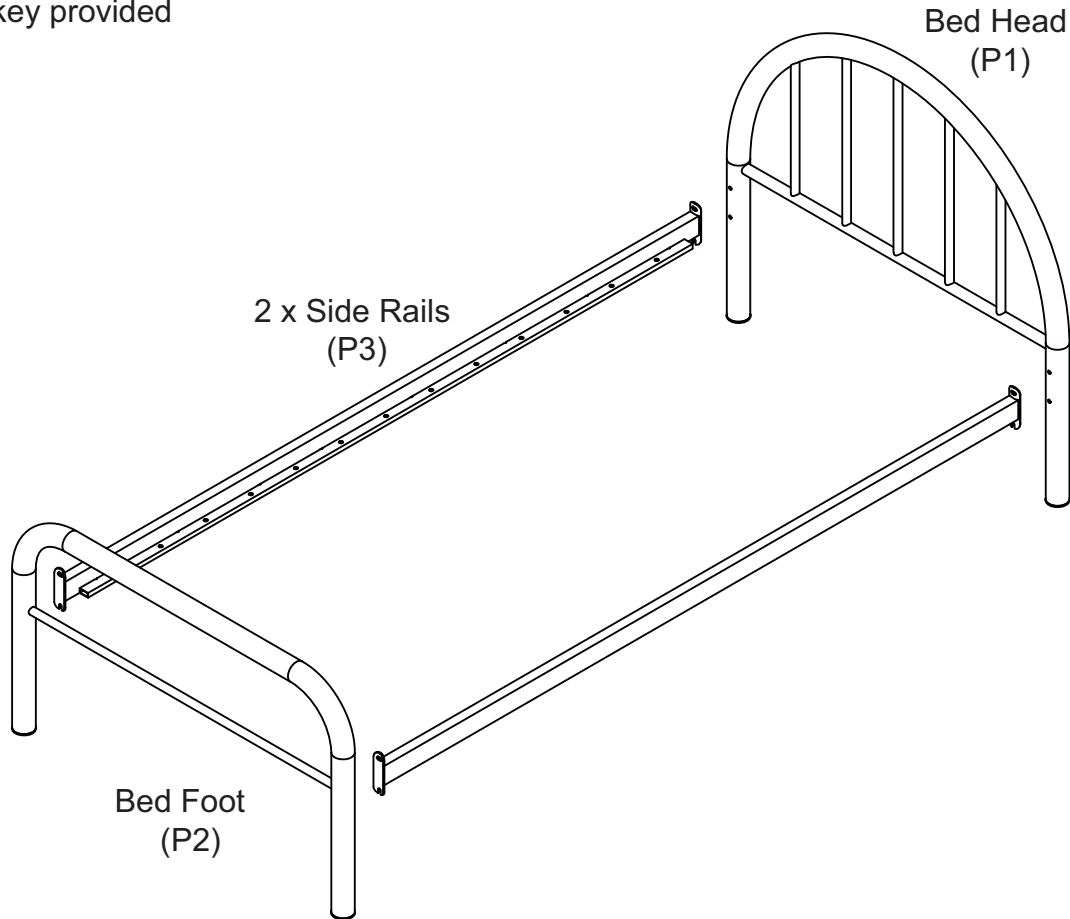
If glue is required **DO NOT** set until you are certain that the parts belong together.

What you Need

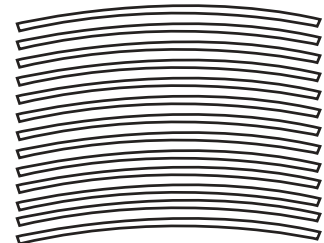
To Assemble the Body



Allen key provided



26 x Plastic Connectors (P4)




13 x Fantastic Furniture ComfortSlats™ Single (P5)

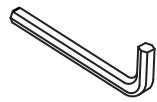


8 x Bolts (H1)

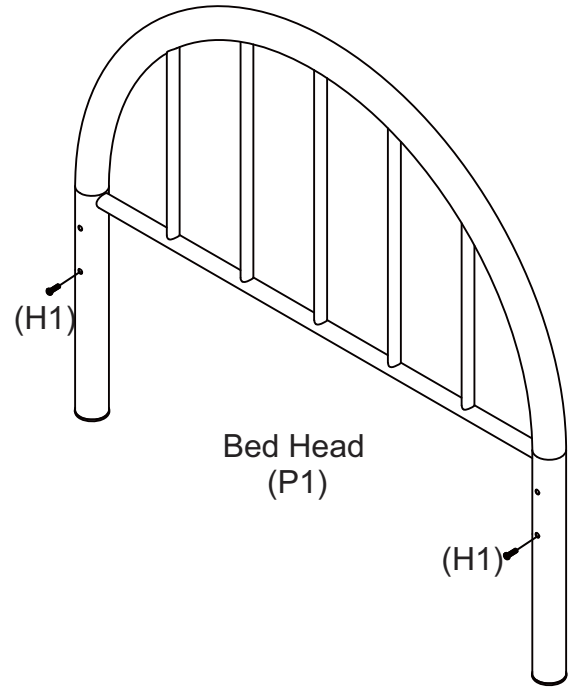
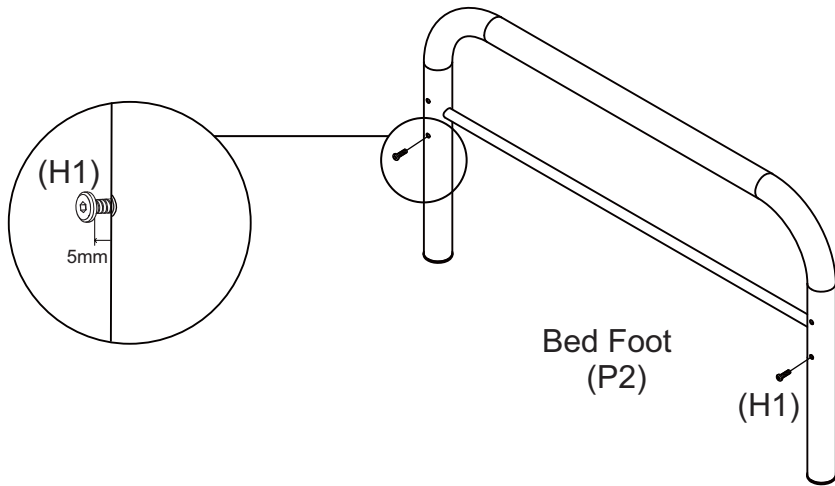
Please make sure you have all these parts before you start.

Step 1

You will need	
4 x Bolts (H1)	




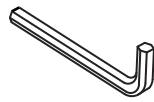
1 x Allen key



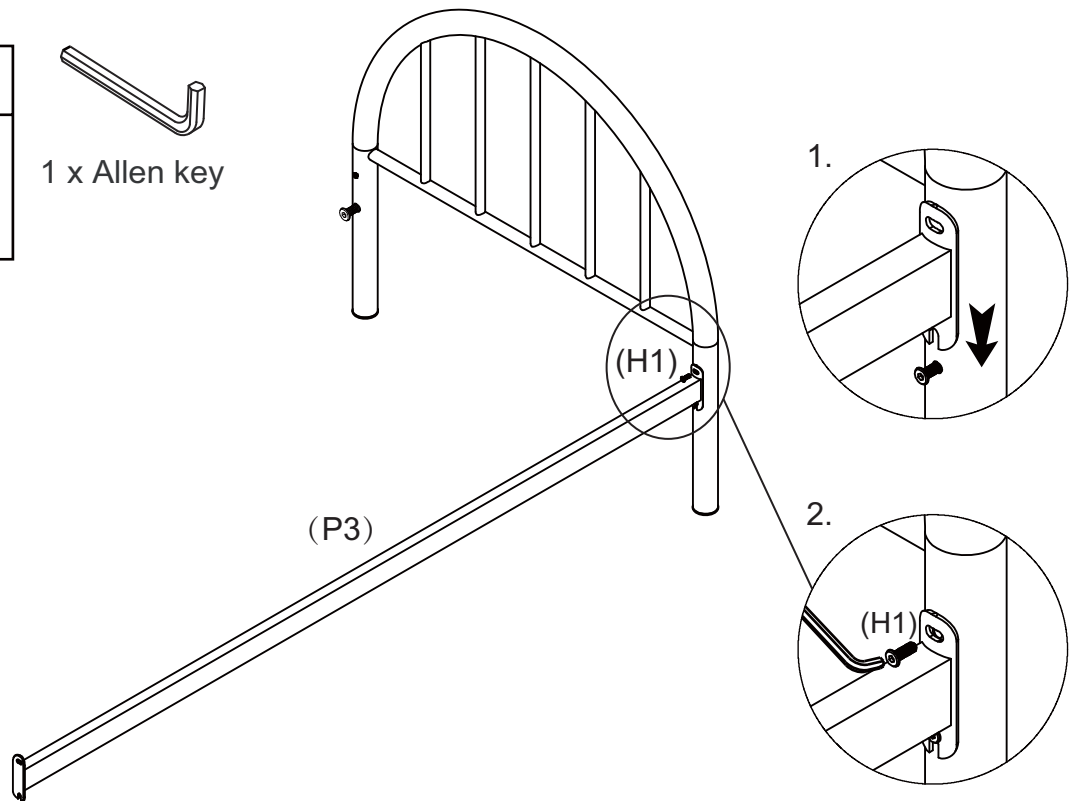
Insert 4 x Bolts (H1) into the lower holes in Bed Head (P1) and Bed Foot (P2) using Allen Key provided. Do not fully tighten Bolts.

Step 2

You will need	
1 x Bolts (H1)	




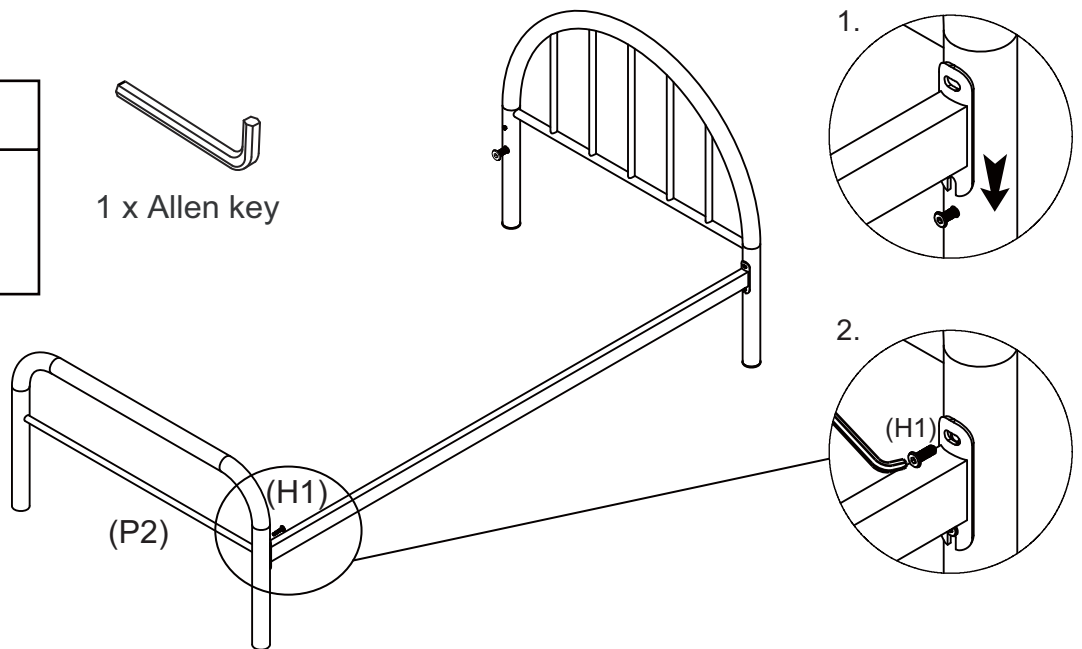
1 x Allen key



Attach one Side Rail (P3) to the Bed Head (P1) with Bolt (H1) and fasten tightly.


Step 3

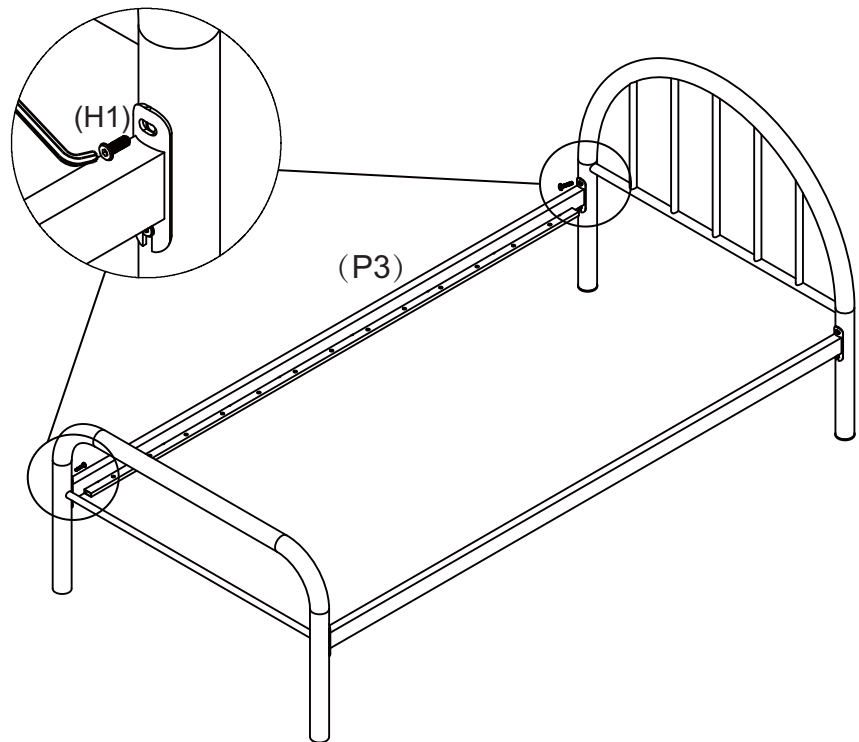
You will need	
1 x Bolts (H1)	



Attach Side Rail to Bed Foot (P2) with Bolt (H1) in the upper hole. Leave bolt loose.



Step 4

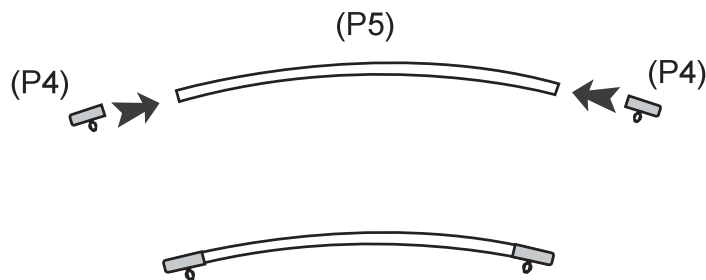
You will need	
2 x Bolts (H1)	



Attach the other Side Rail (P3) to Bed Head and Bed Foot with 2 x Bolts (H1) in the upper holes. Leave bolts loose.

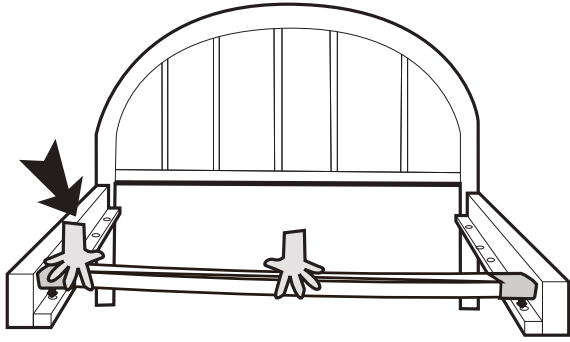
Step 5

You will need:	
26 x Plastic Connectors (P4)	
13 x Fantastic Furniture ComfortSlats™ Single (P5)	



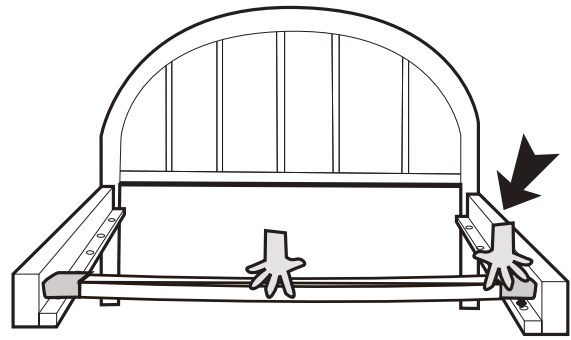
Push 26 x Plastic Connectors (P4) firmly onto 13 x Fantastic Furniture ComfortSlats™ Single (P5).

Step 6a



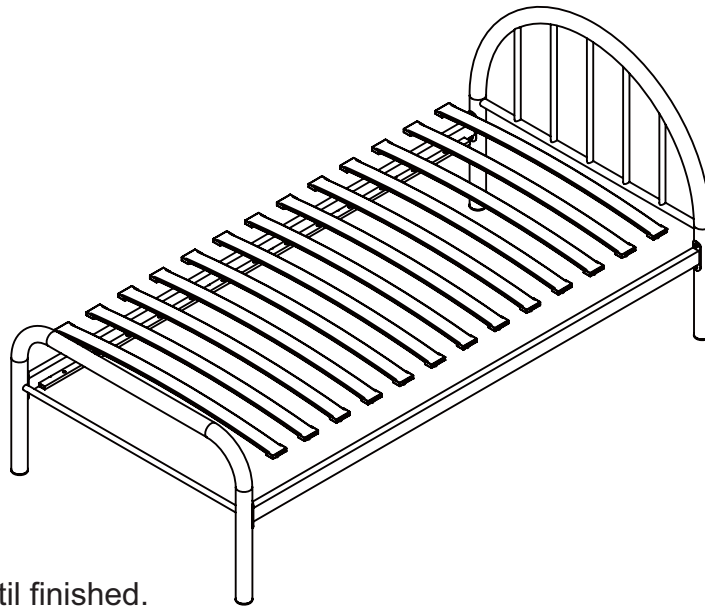
Place the slat in position then push down on the centre of the slat to flatten out the slat. Make sure the plastic prong lines up with the hole. Then push firmly.

Step 6b



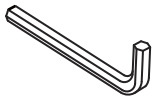
Repeat the same process for the other end of the slat.

Step 7



Repeat for every bed slat until finished.

Step 8



1 x Allen key



IMPORTANT: Fully tighten all bolts on bed.

The job is now complete!
In the interest of our environment
Please dispose of all packaging thoughtfully.