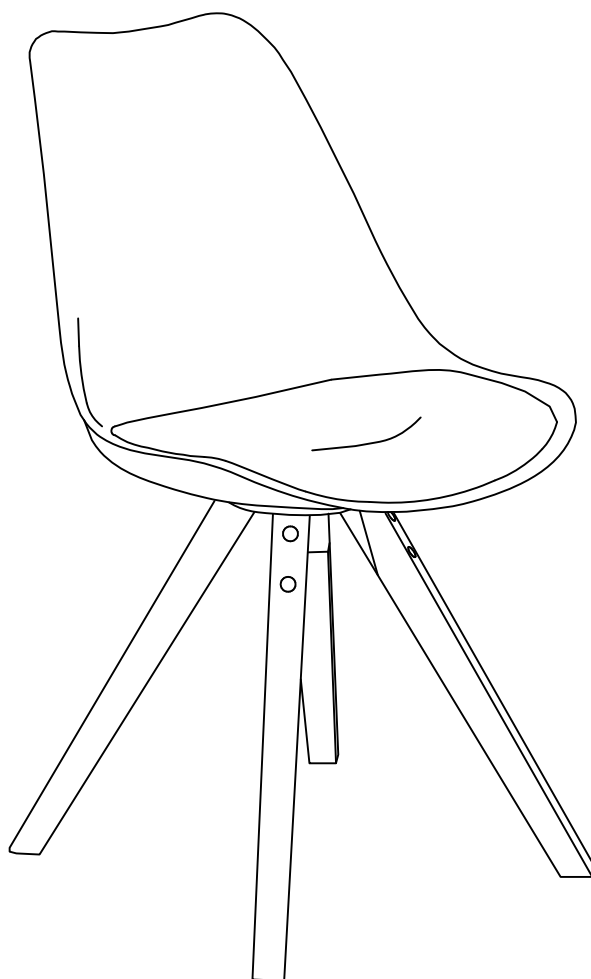




**Fantastic
Furniture**

Version 1.0



Dimi
Chair

fantasticfurniture.com.au



CAUTION:

Use this product for seating one person at a time.
Do not stand on, or use this chair as a step ladder.
Do not rock on chair as this may result in injury.
This product should be checked periodically to ensure
all components are secure and all hardware is tight.

RECOMMENDED WEIGHT CAPACITY 120 KG

Looks like you've found your Fantastic!

We're thrilled you've chosen Fantastic Furniture
to help create a home you'll love!



Fantastic Furniture

Love it? Share it!

Fantastic buy! Share how it looks at home on Instagram for
your chance to win a \$250 Fantastic Furniture Gift Card!
@fantasticfurniture

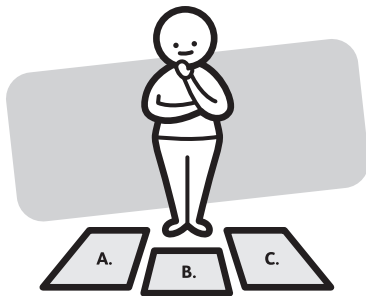
Assembly checklist



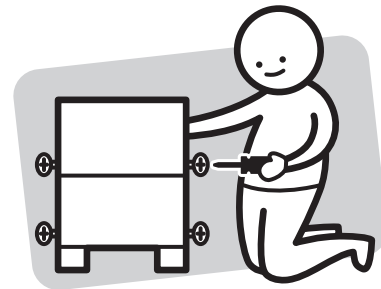
Read through the instructions carefully before you begin.



Make sure you have all the required tools. Never use power tools unless instructed.



Identify and lay out all of the components before you begin assembly.



Unless instructed, do not fully tighten screws until the item is fully assembled.

Useful information

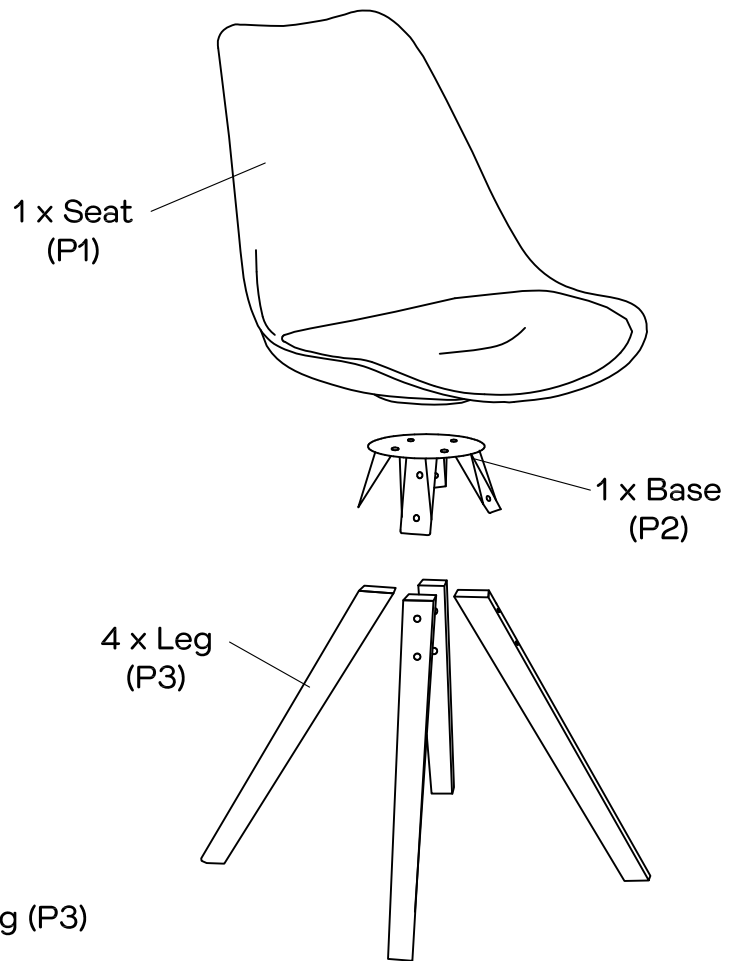
- ! Never use power tools unless specifically instructed. They can damage your components or hardware if used incorrectly.
- ! The most common mistakes made during assembly are using the wrong hardware or getting components back to front.
- ! Always use a soft surface (such as carpet or cardboard) when assembling your product to avoid scratching or damaging the surface of the product.
- ! Bulky items such as wardrobes and bunk beds should be assembled in the room they will be used in as they may not fit through a door once assembled.
- ! Never use any glue until you are certain that the parts belong together.
- ! Periodically check and re-tighten all fasteners. Check the product care label or website for product care instructions.
- ! If you are having any difficulties assembling your product, missing any hardware or components please visit our website Help Centre for further assistance.
- ! Please see page 2 for any safety requirements or weight restrictions.

What you need

to assembly the product



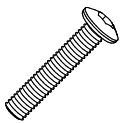
DO NOT USE



Part list

Box 1: 1 x Seat (P1); 1 x Base (P2); 4 x Leg (P3)

Hardware pack



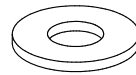
8 x Bolt M6x32
(H1)



4 x Bolt M6x18
(H2)



8 x Metal heads
(H3)



12 x Washers
(H4)



1 x Big Allen key
(H5)

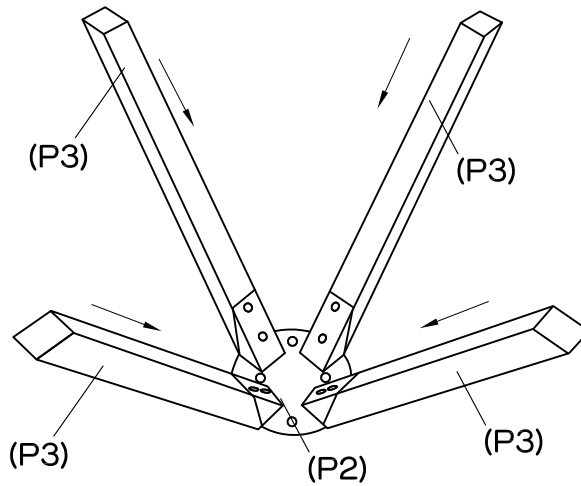


1 x Small Allen key
(H6)



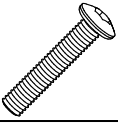




4 x Felt pads
(H7)

Step 1



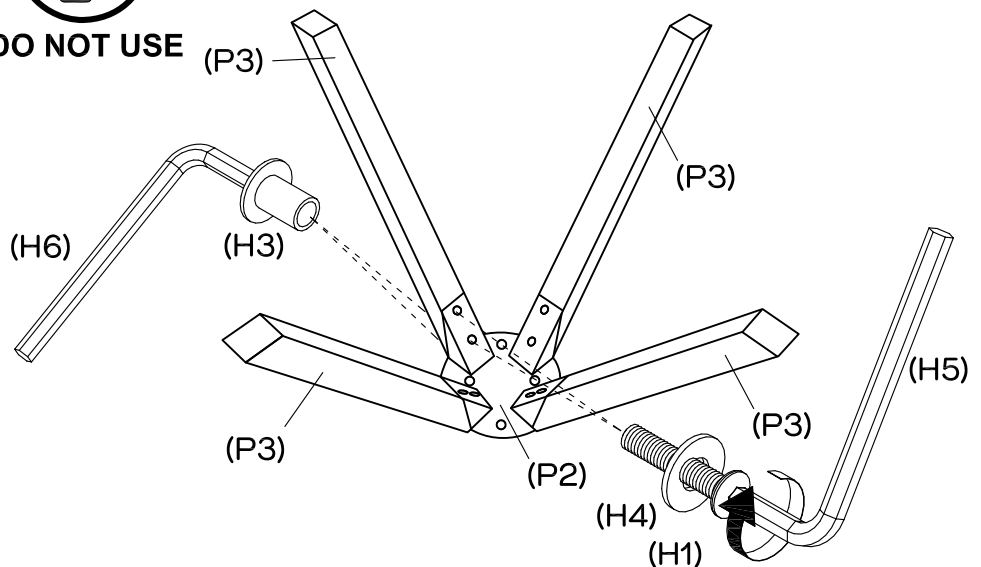
Place the 4 x legs (P3) in position of the base (P2) as shown

Step 2

You will need	
 8 x Bolts (H1)	 8 x Metal heads (H3)
 8 x Washers (H4)	 1 x Allen key (H5)
 1 x Allen key (H6)	


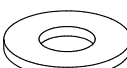




DO NOT USE



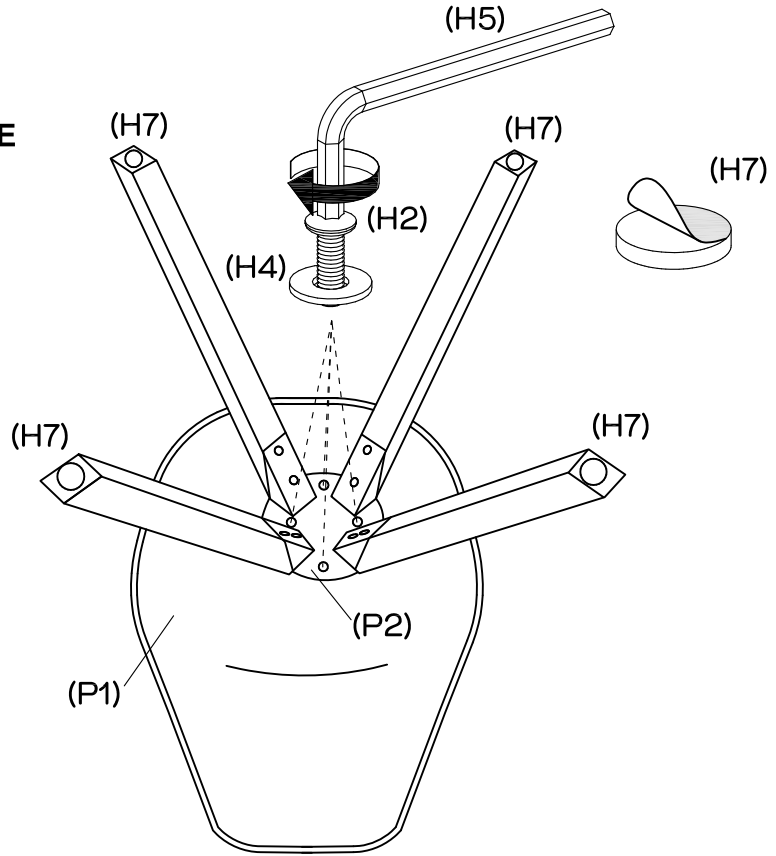
Mount the 4 x legs (P3) to the base (P2) using bolts (H1), washers (H4), metal head (H3), big allen key (H5) and small allen key (H6)

Step 3

You will need	
	
4 x Bolts (H2)	4 x Washers (H4)
	
1 x Allen key (H5)	4 x Felt pads (H7)

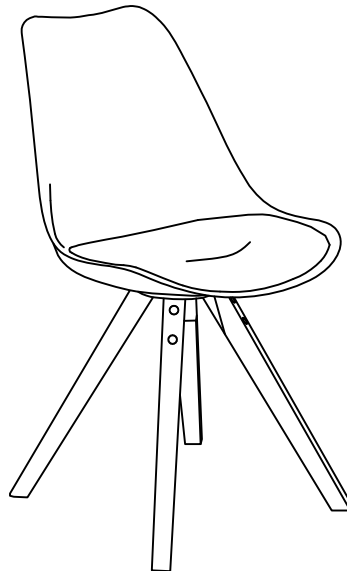


DO NOT USE



Mount the base (P2) to the seat (P1) using bolts (H2), washers (H4) and big allen key (H5). Attach felt pads (H7) to the legs.

Step 4



Job Complete!

In the interest of our environment please dispose of all packaging thoughtfully.



Version 1.0



TOTO

Table D4

www.fantasticfurniture.com.au

**WARNING : For safety any straps
used to secure hardware or
furniture parts must be removed
before this product is used.**

Enjoy

Your purchase from
Australia's Best Value furniture



Assembly checklist



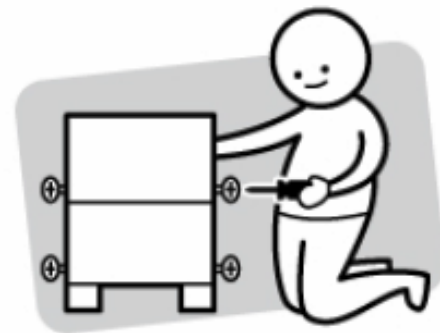
Read through the instructions carefully before you begin.



Make sure you have all the required tools. Never use power tools unless instructed.



Identify and lay out all the components before you begin assembly.



Unless instructed, do not fully tighten screws until the item is fully assembled.

Useful Information

! Never use power tools unless specifically instructed. They can damage your components or hardware if used incorrectly.

! The most common mistakes made during assembly are using the wrong hardware or getting components back to front.

! Always use a soft surface (such as carpet or cardboard) when assembling your product to avoid scratching or damaging the surface of the product.

! Bulky items such as wardrobes and bunk beds should be assembled in the room they will be used in as they may not fit through a door once assembled.

! Never use any glue until you are certain that the parts belong together.

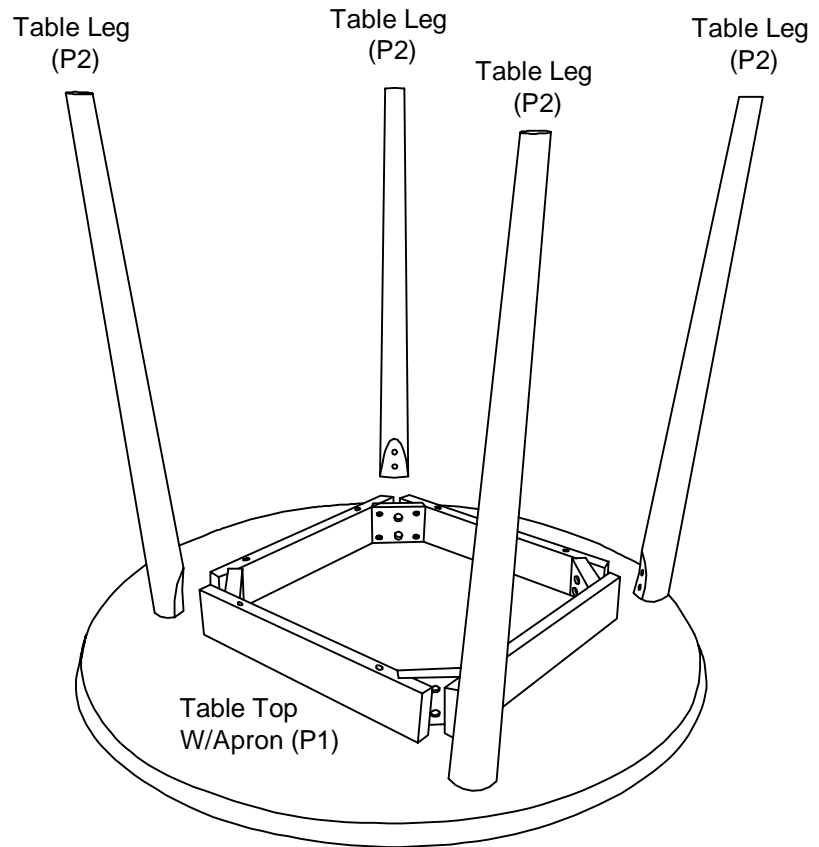
! Periodically check and re-tighten all fasteners. Check the product care label or website for product care instructions.

! If you are having any difficulties assembling your product, missing any hardware or components please visit our website Help centre for further assistance.

What you need to assemble the product



DO NOT USE



Parts list

Table Top (P1); Table Leg (P2);
Hardware Pack.



1 x Allen Key
(H1)



8 x Bolts
(H2)







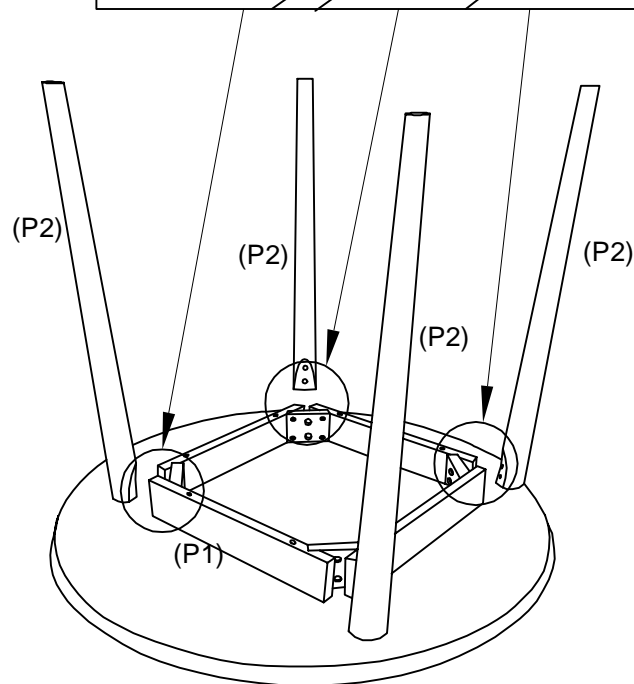
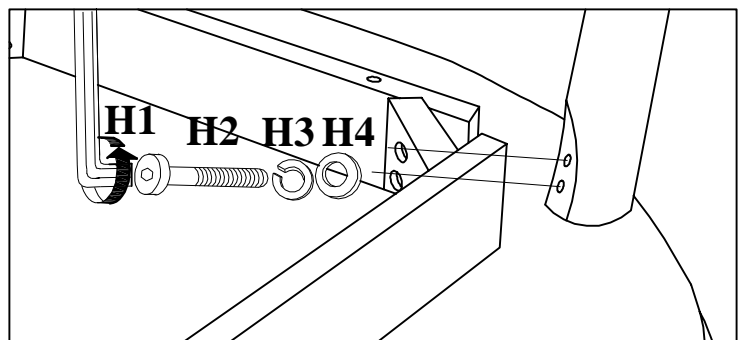
8 x Spring Washer
(H3)



8 x Flat Washer
(H4)

Step 1

You will need	
	
8 x Bolts (H2)	1 x Allen Key (H1)
	
Spring Washer (H3)	Flat Washer (H4)



Attach table legs to table apron using Bolts (H2) and Washers (H3) & (H4).

Note : Do not tighten bolts until table is on flat surface.



Job Complete!

In the interest of our environment please dispose of all packaging thoughtfully.