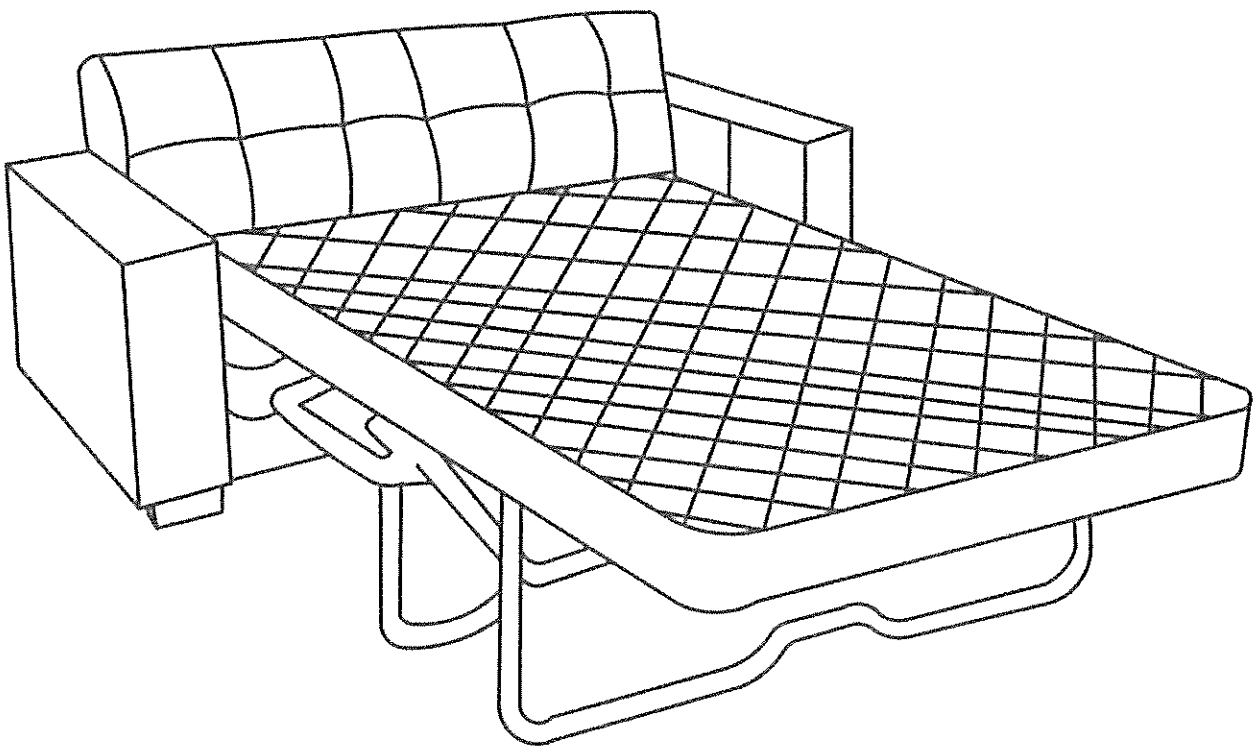
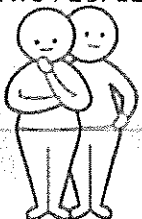




Version 1.0



TWO PEOPLE



REQUIRED

TIVOLI

Sofa Bed 3 Seater

www.fantasticfurniture.com.au

Enjoy

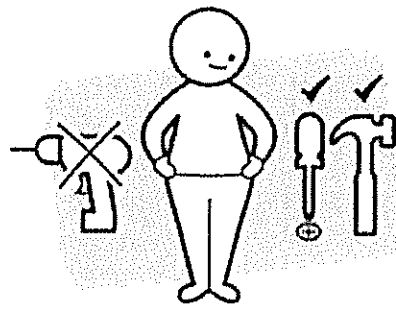
Your purchase from
Australia's Best Value Furniture Store



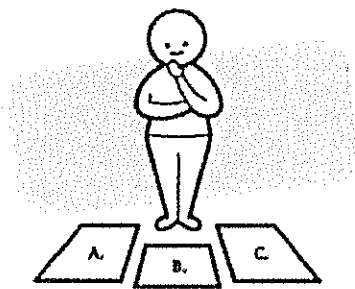
Assembly checklist



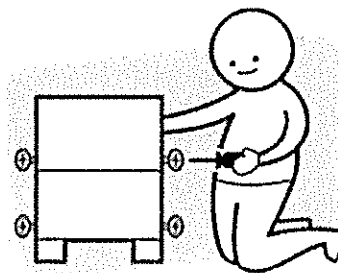
Read through the instructions carefully before you begin.



Make sure you have all the required tools. Never use power tools unless instructed.



Identify and lay out all of the components before you begin assembly.



Unless instructed, do not fully tighten screws until the item is fully assembled.

Useful Information

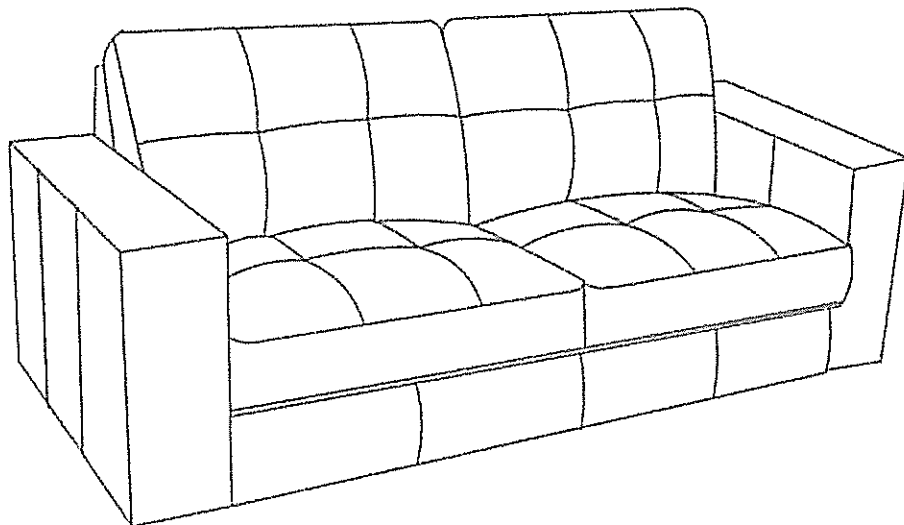
- ! Never use power tools unless specifically instructed. They can damage your components or hardware if used incorrectly.
- ! The most common mistakes made during assembly are using the wrong hardware or getting components back to front.
- ! Always use a soft surface (such as carpet or cardboard) when assembling your product to avoid scratching or damaging the surface of the product.
- ! Bulky items such as wardrobes and bunk beds should be assembled in the room they will be used in as they may not fit through a door once assembled.
- ! Never use any glue until you are certain that the parts belong together.
- ! Periodically check and re-tighten all fasteners. Check the product care label or website for product care instructions.
- ! If you are having any difficulties assembling your product, missing any hardware or components please visit our website Help Centre for further assistance.

What you Need:

to assemble the product



DO NOT USE

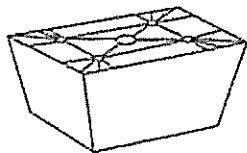


SOFA BED 3 SEATER

Parts list:

Sofa bed 3 seater

Legs (H1); Bolts (H2); Washers (H3); Allen key (H4)



H1

4 X LEGS



H2

4 X BOLTS



H3

4 X WASHERS



H4

1 X ALLEN KEY

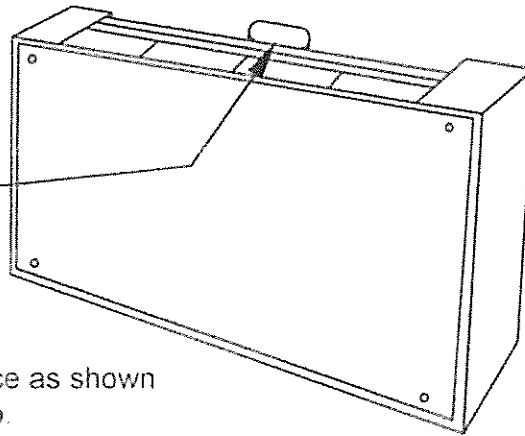
Step 1

TWO PEOPLE



Note:

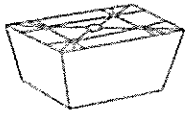



Here is the hardware.

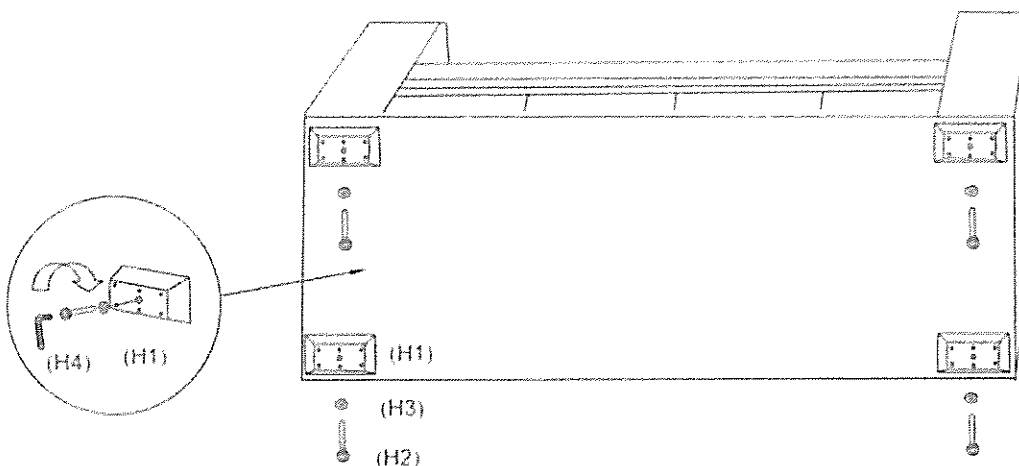


Place each piece on a flat, clean surface as shown and remove hardware box from the top.

Step 2

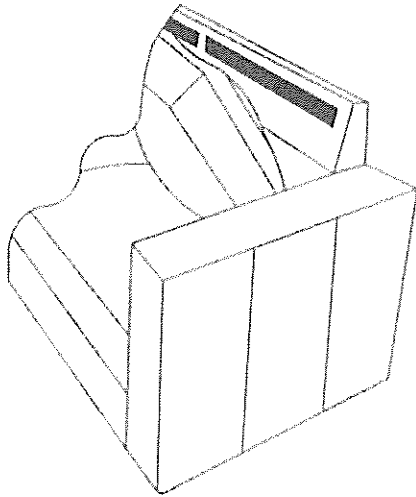
You will need:

4 X LEGS (H1)		4 X BOLTS (H2)	
4 X WASHERS (H3)		1 X ALLEN KEY (H4)	

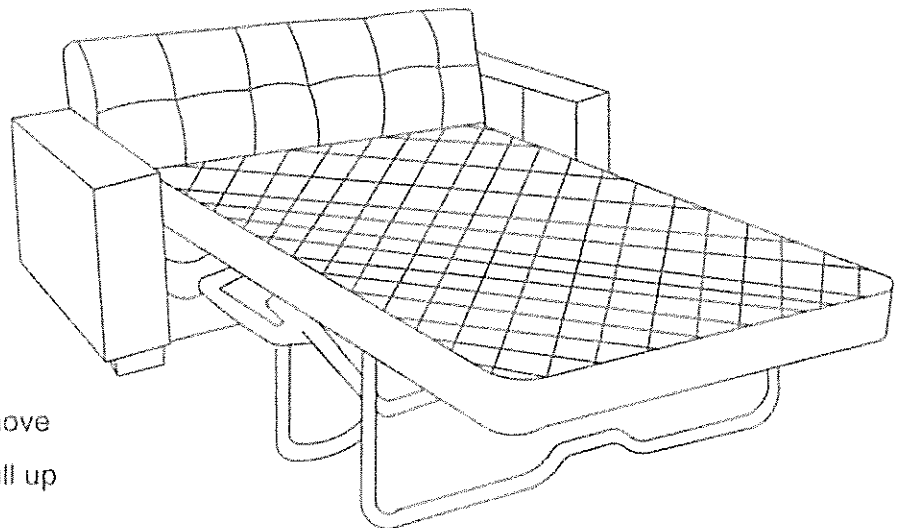
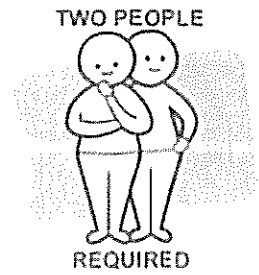


Attach 4 X legs (H1) into position as shown with 1 X bolt (H2) and 1 X washer (H3), using the allen key (H4).

Step 3



Place your sofa bed into an upright position, and lift the folded back piece into position as shown



To use the sofa bed, remove the seat cushions and pull up the folded mechanism.

Set the sofa bed into position

Job Complete!

In the interest of our environment please dispose of all packaging thoughtfully.