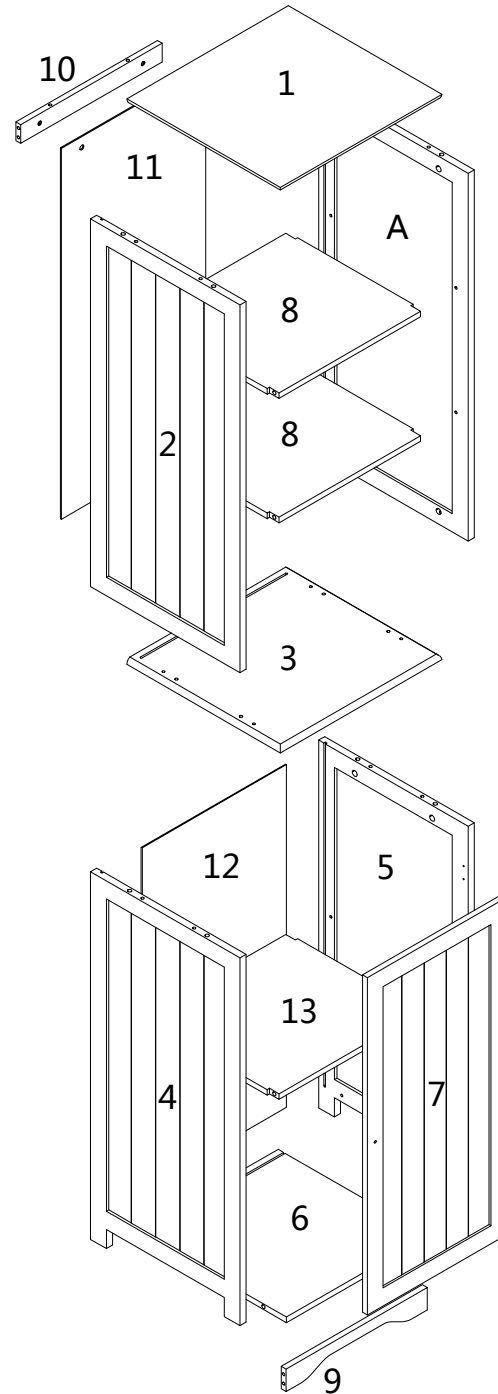
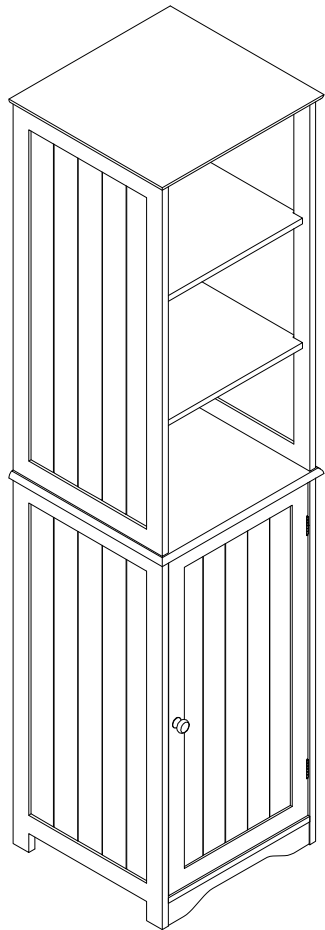
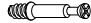

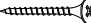

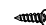
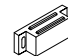

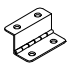
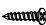





MODEL: FURNI-G-TB128-WH



A	789x370x15mm	1PC
1	400x380x12mm	1PC
2	789x370x15mm	1PC
3	400x380x12mm	1PC
4	789x370x15mm	1PC
5	789x370x15mm	1PC
6	350x370x12mm	1PC
7	724x345x15mm	1PC
8	362x350x12mm	2PCS
9	350x48x12mm	1PC
10	350x40x12mm	1PC
11	796x357x3mm	1PC
12	735x357x3mm	1PC
13	362x334x12mm	1PC

			
	12*10mm	M4*35mm	30mm
B	28PCS	C	28PCS
D	2PCS	E	26PCS
			
M3*12mm			
F	9PCS	G	1PC
H	1PC	I	2PCS
			
M3*14mm		M4*16mm	30mm
J	2PCS	K	1PC
L	1PC	M	2PCS
N	8PCS		

Assembly checklist



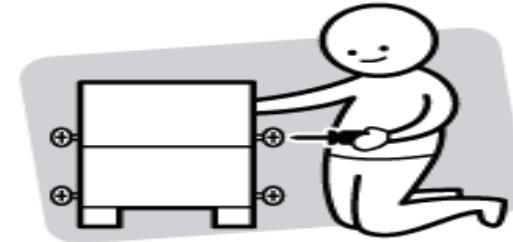
Read through the instructions carefully before you begin.



Make sure you have all the required tools. Do not use power tools.



Identify and lay out all of the components before you begin assembly.



Do not fully tighten all screws until step/ process finished.

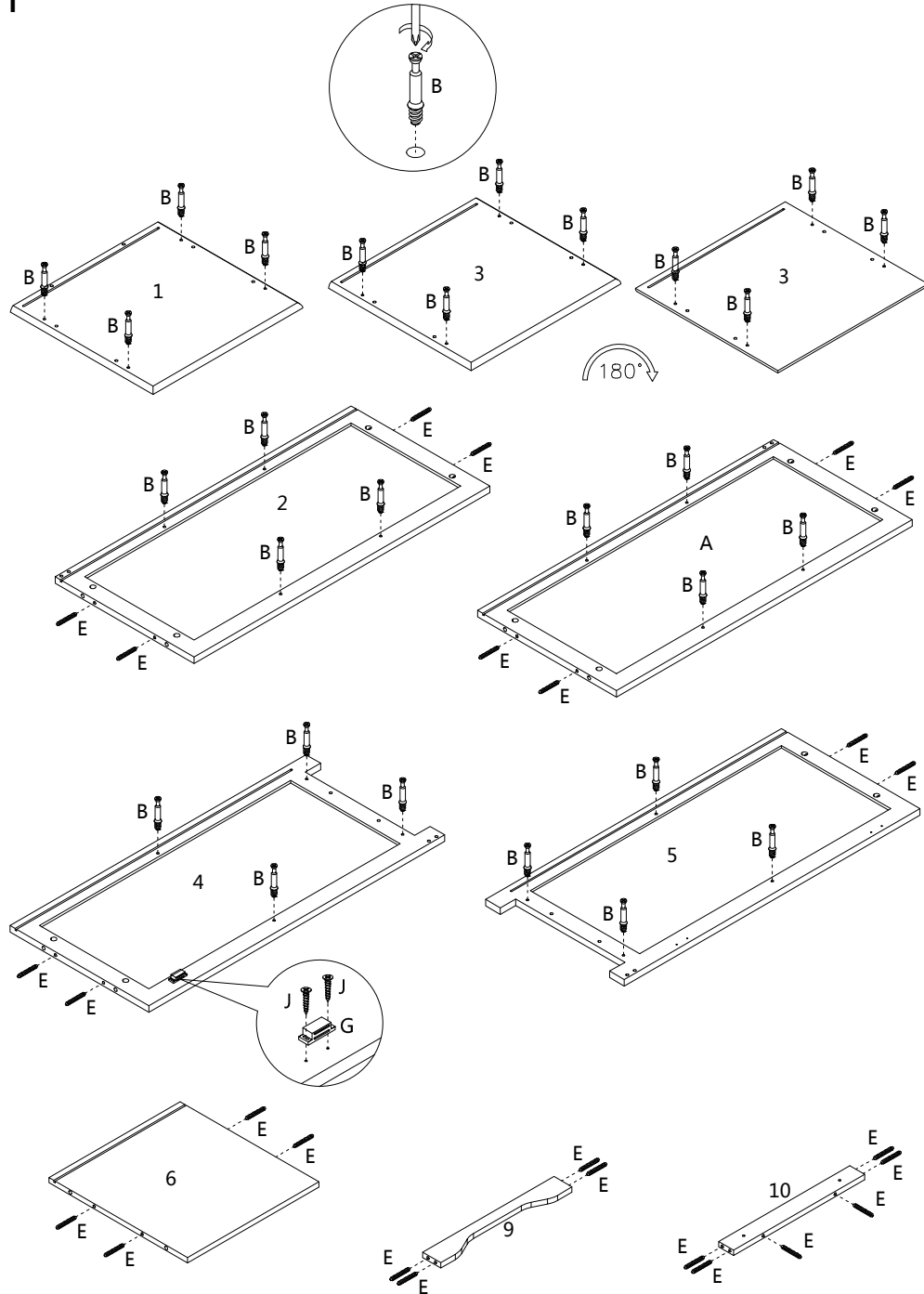
Useful Information

! Never use power tools, they can damage your components or hardware if used incorrectly.

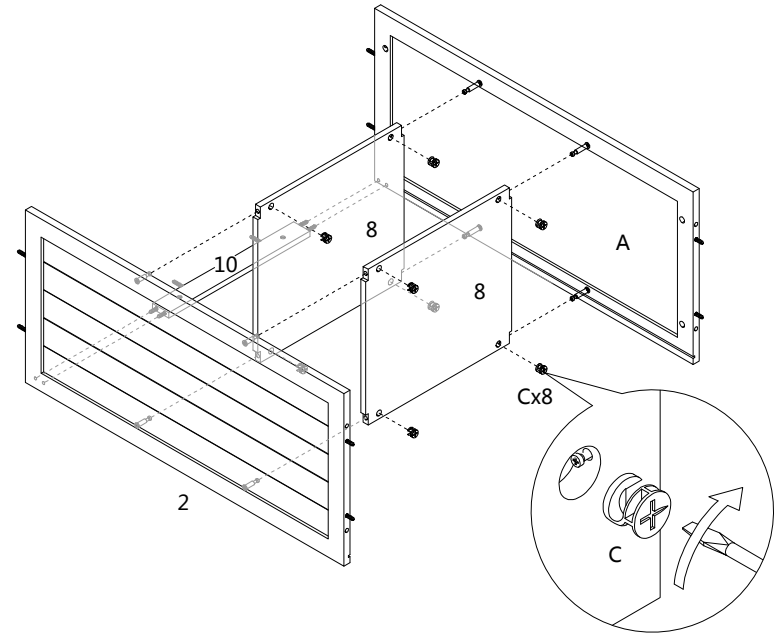
! The most common mistakes made during assembly are using the wrong hardware or getting components back to front.

! Always use a soft surface (such as carpet or cardboard) when assembling your product to avoid scratching or damaging the surface of the product.

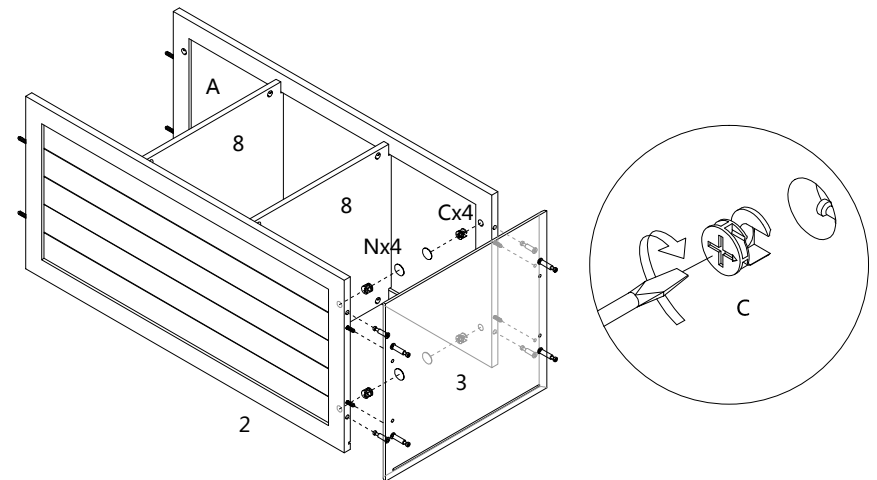
1



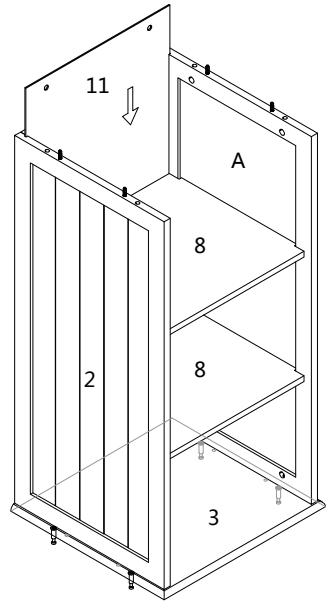
2



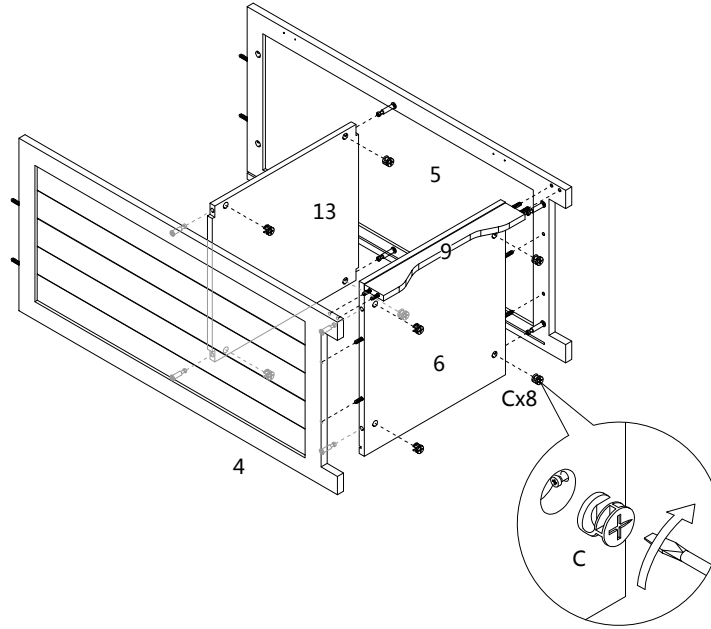
3



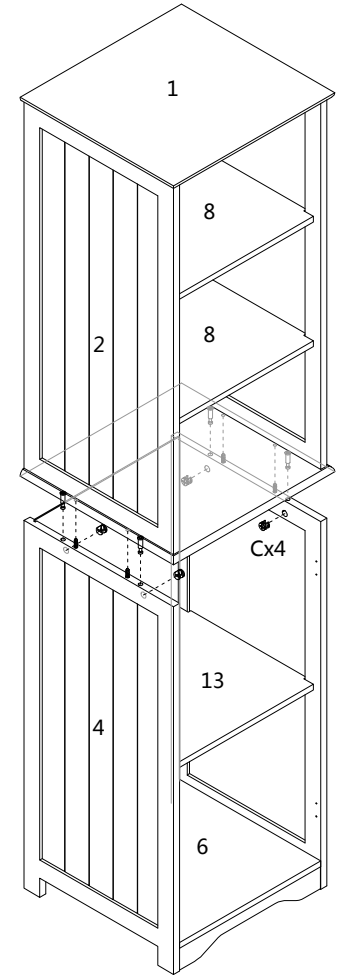
4



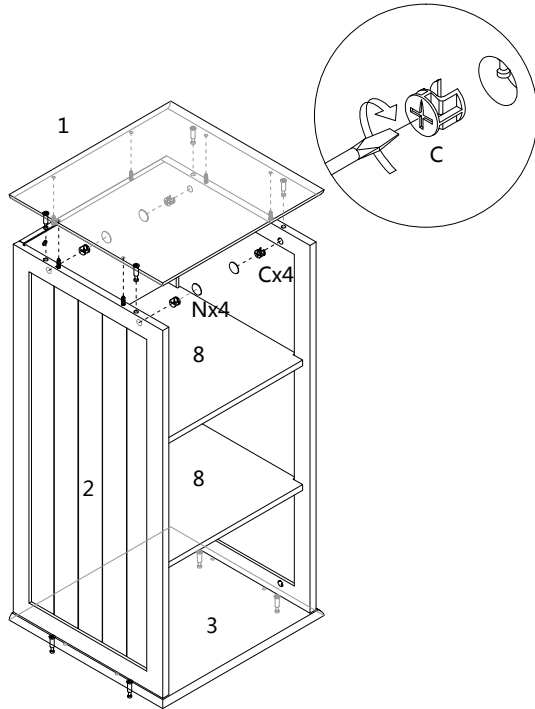
6



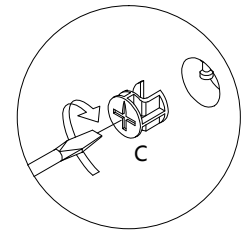
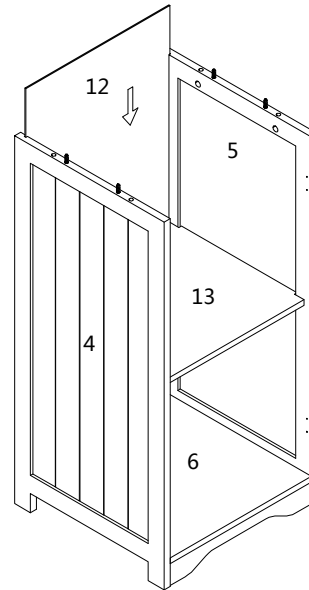
8



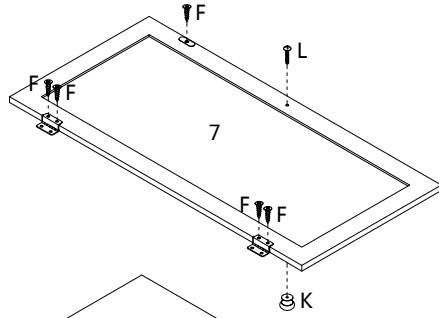
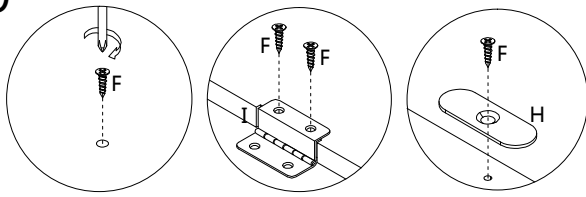
5



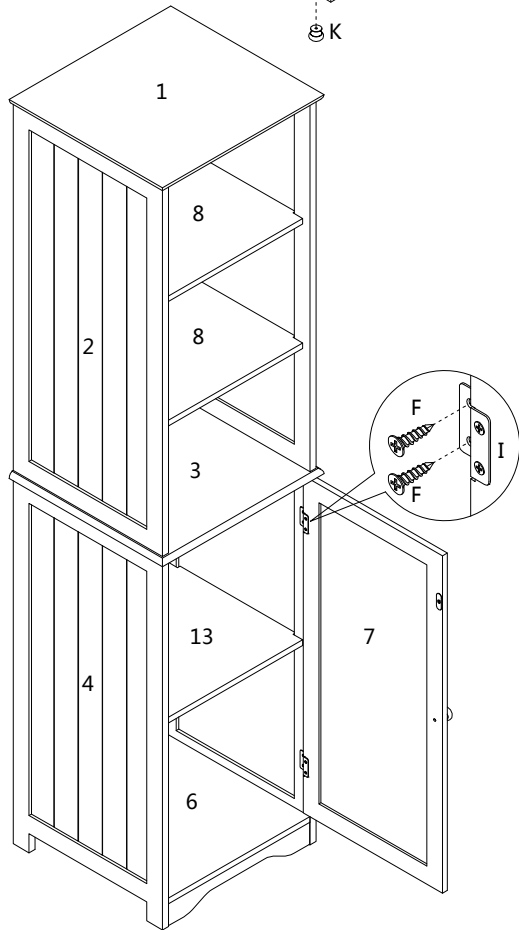
7



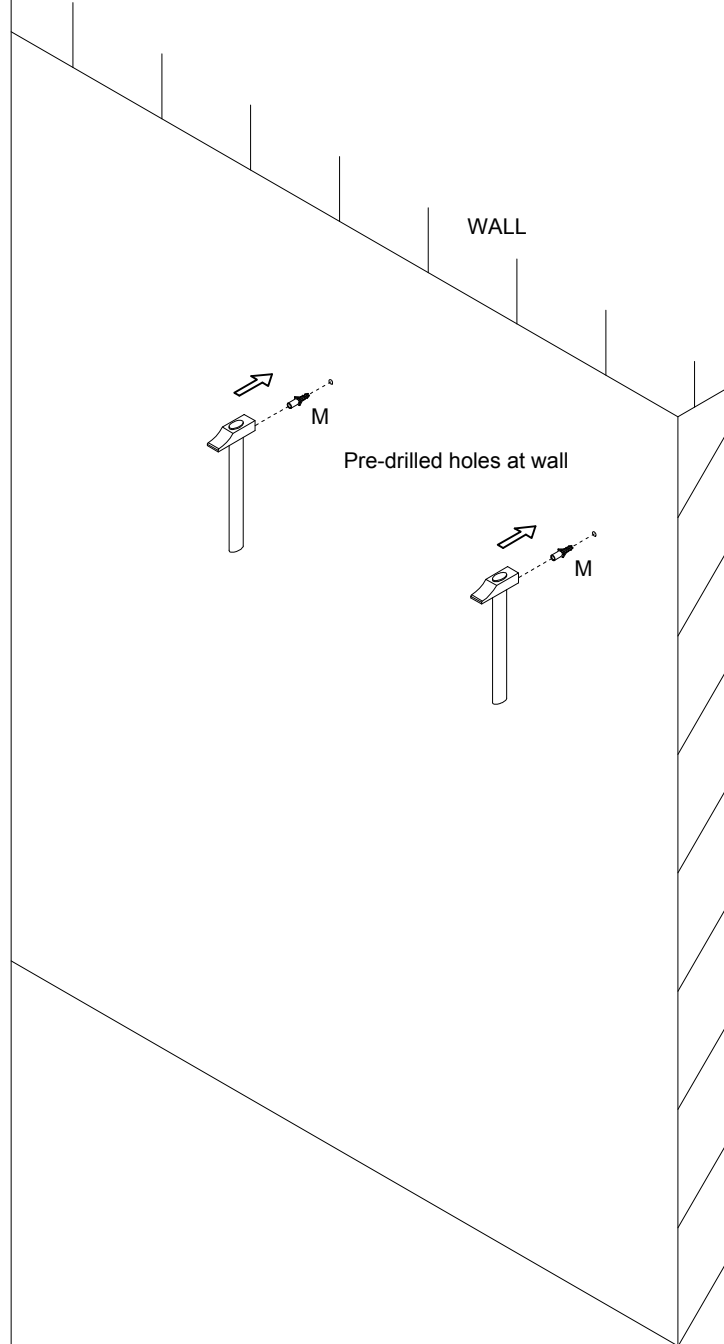
9



10



11



12

It is strongly recommended to mount the cabinet to the wall with supplied mounting parts. Otherwise, please skip this step.

