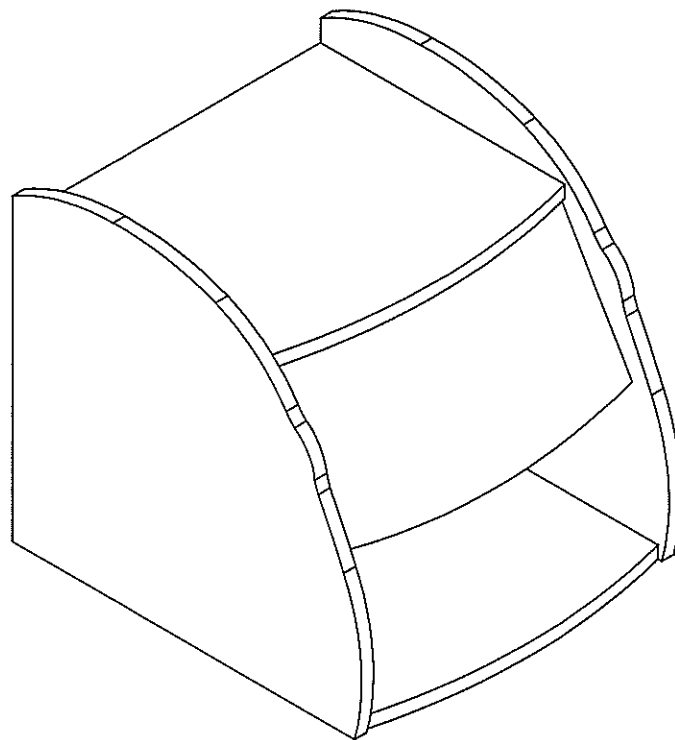


RP 17/2/16



Version 1.0



✓
SPEEDY
BEDSIDE 1 DRAWER

www.fantasticfurniture.com.au

Enjoy
Your purchase from
Australia's Best Value Furniture Store

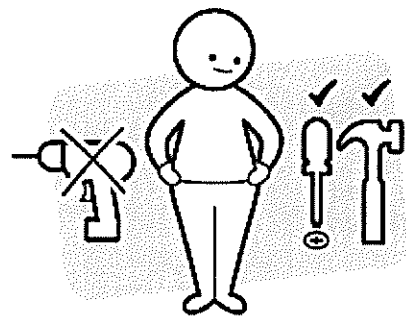


✓

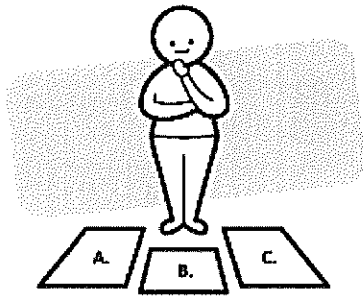
Assembly Checklist



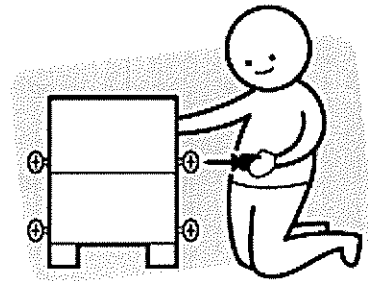
Read through the instructions carefully before you begin.



Make sure you have all the required tools. Never use power tools unless instructed.



Identify and lay out all of the components before you begin assembly.



Unless instructed, do not fully tighten screws until the item is fully assembled.

Useful Information

- ! Never use power tools unless specifically instructed. They can damage your components or hardware if used incorrectly.
- ! The most common mistakes made during assembly are using the wrong hardware or getting components back to front.
- ! Always use a soft surface (such as carpet or cardboard) when assembling your product to avoid scratching or damaging the surface of the product.
- ! Bulky items such as wardrobes and bunk beds should be assembled in the room they will be used in as they may not fit through a door once assembled.
- ! Never use any glue until you are certain that the parts belong together.
- ! Periodically check and re-tighten all fasteners. Check the product care label or website for product care instructions.
- ! If you are having any difficulties assembling your product, missing any hardware or components please visit our website Help Centre for further assistance.



What you need

to assemble the product

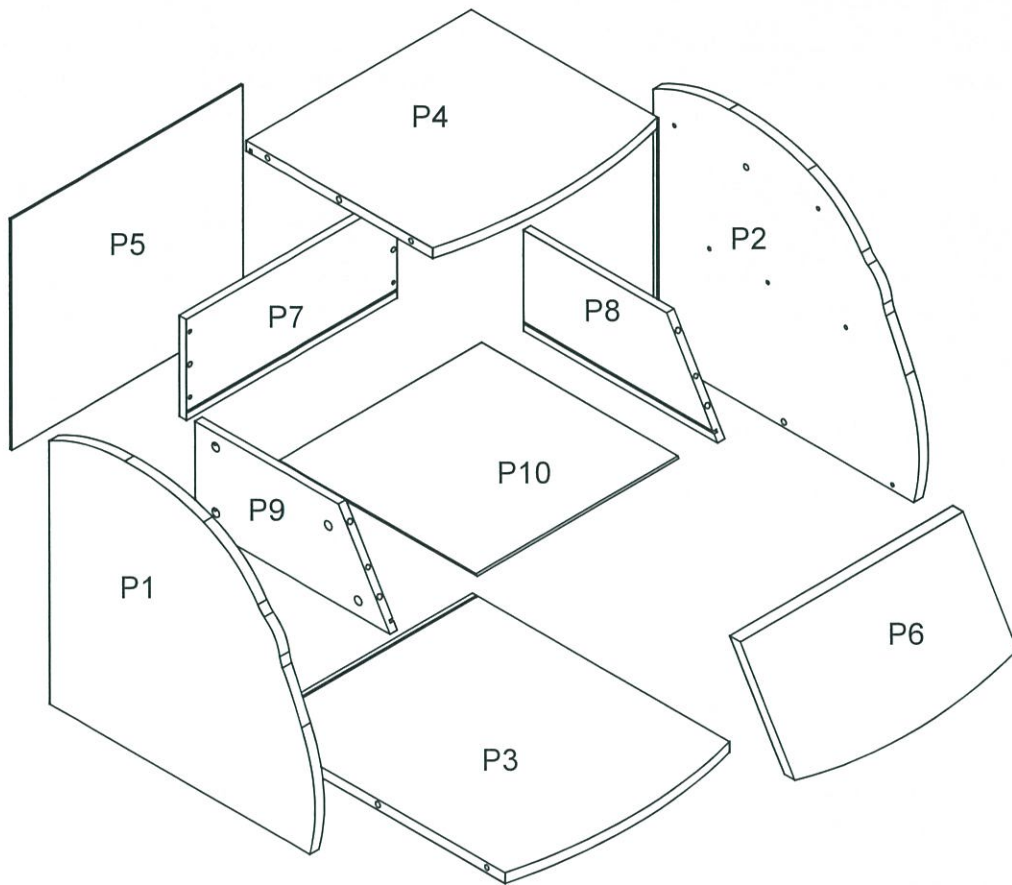


DO NOT USE



Other tools you need

Phillips head screwdriver



8 x Large Cam Bolts
(H1) ✓



8 x Large Cam Nuts
(H2) ✓



8 x Small Cam Bolts
(H3) ✓



8 x Small Cam Nuts
(H4) ✓



6 x Large Screws
(H5) ✓



6 x Small Screws
(H6) ✓



4 x Large Dowels
(H7) ✓



4 x Small Dowels
(H8) ✓



1 x Left Side Rail
(H9) ✓



1 x Right Side Rail
(H10) ✓



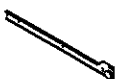



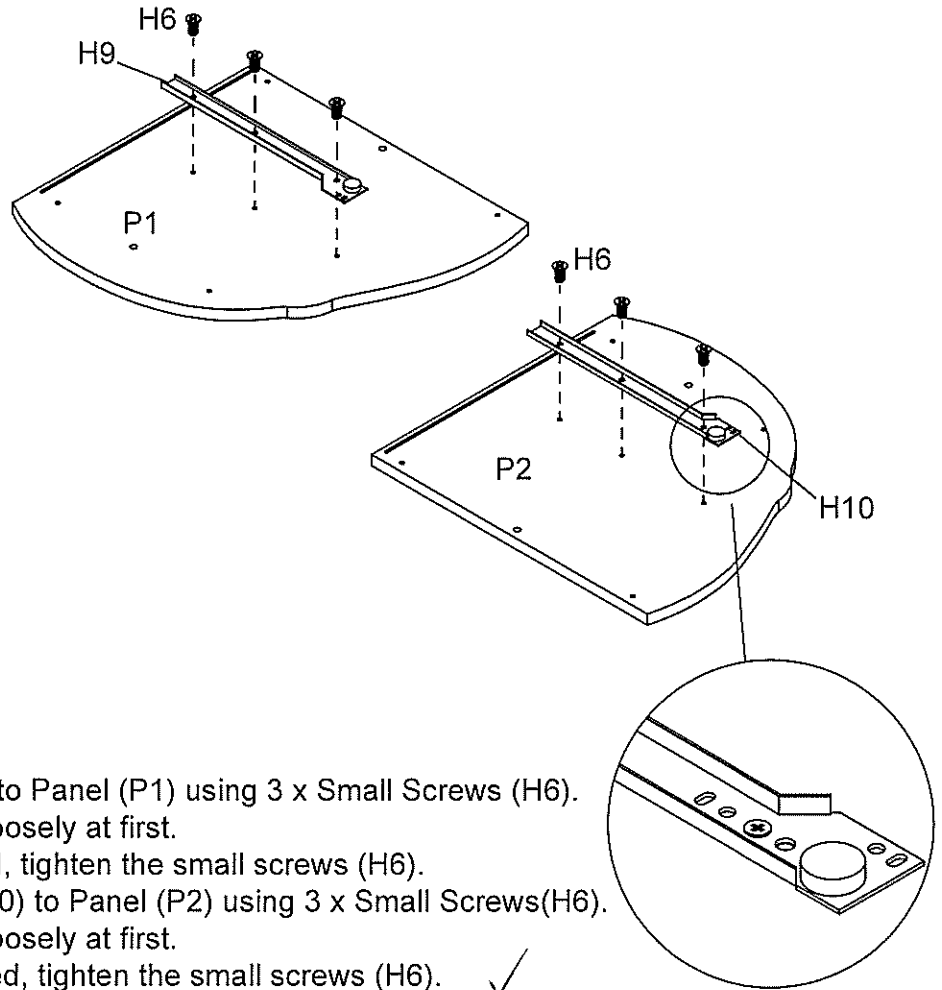
1 x Left Runner
(H11) ✓



1 x Right Runner
(H12) ✓



Step 1

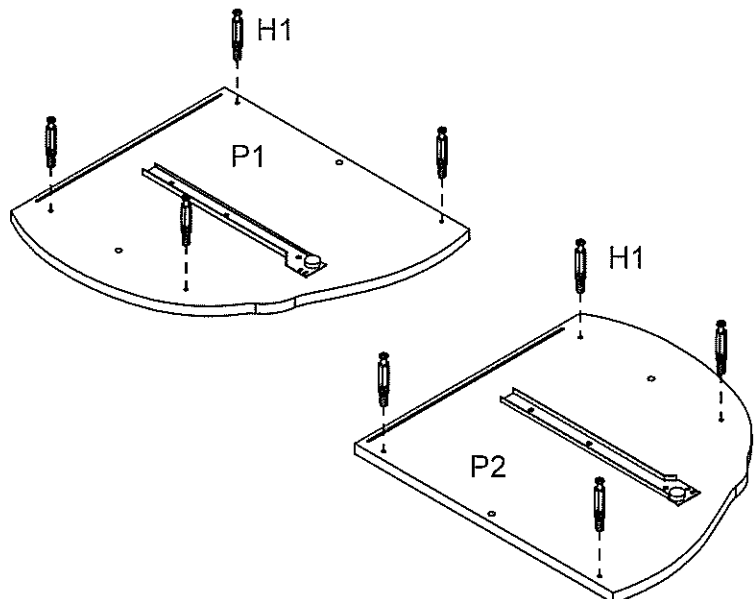
You will need:	
	
6 x Small Screws (H6)	1 x Left Side Rail (H9)
	
1 x Right Side Rail (H10)	Phillips head screwdriver



- Attach and fix 1 x Left Side Rail (H9) to Panel (P1) using 3 x Small Screws (H6). Please insert the small screws (H6) loosely at first. Then when the rail (H9) is well placed, tighten the small screws (H6).
- Attach and fix 1 x Right Side Rail (H10) to Panel (P2) using 3 x Small Screws (H6). Please insert the small screws (H6) loosely at first. Then when the rail (H10) is well placed, tighten the small screws (H6).




Step 2

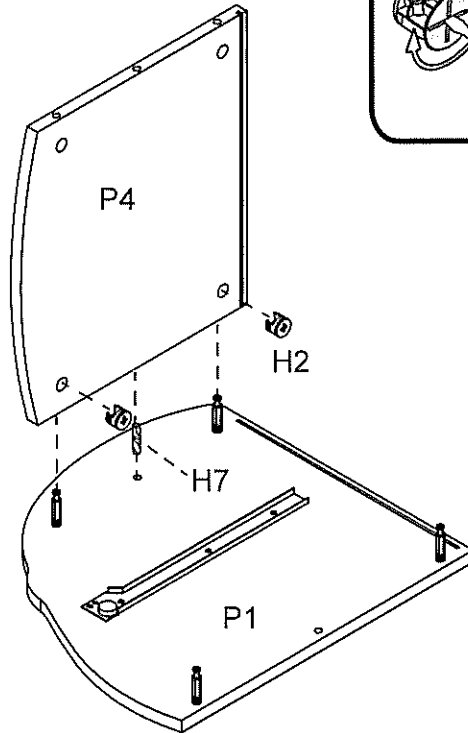
You will need:	
	
8 x Large Cam Bolt (H1)	Phillips head screwdriver



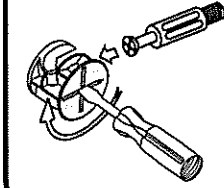
- Screw 8 x Large Cam Bolts (H1) to Panels (P1),(P2) as shown.

Step 3

You will need:	
	
2 x Large Cam Nut (H2)	1 x Large Dowels (H7)
	
Phillips head screwdriver	






This is how a cam nut works.....

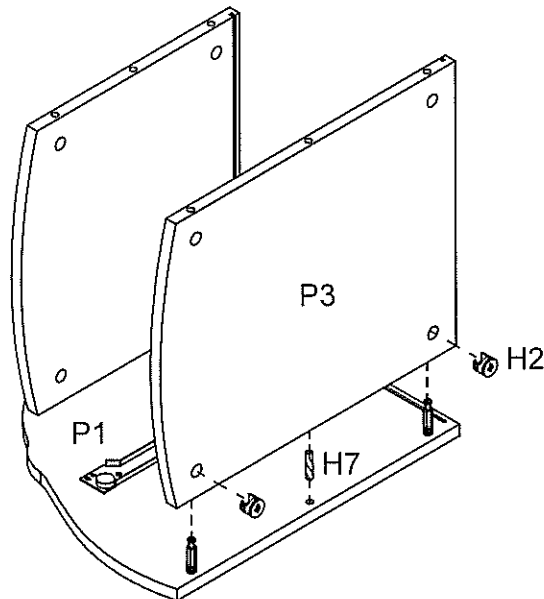


The head of the cam bolt goes into the open mouth of the cam nut. You then turn the cam nut so it tightens over the bolt.

- Insert 1 x Large Dowel (H7) into Panel (P1). ✓
- Attach and fix Panel (P4) to Panel (P1), ensuring aligned groove in Panels (P1)&(P4).
- Insert 2 x Large Cam Nuts (H2) into Panel (P4).
- Turn the Large Cam Nuts (H2) clockwise to tighten. ✓

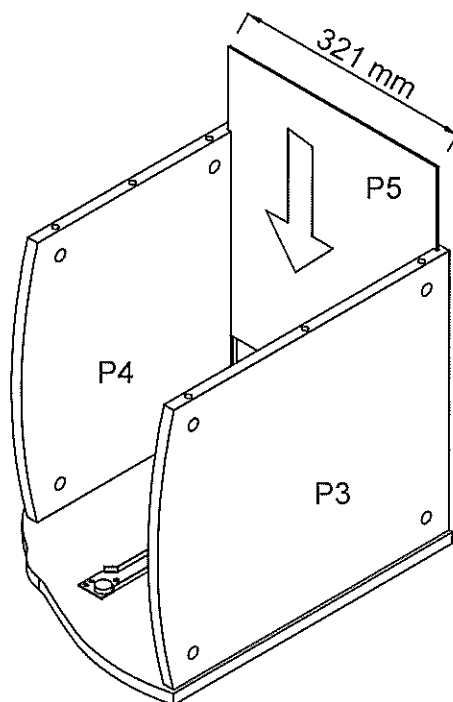
Step 4

You will need:	
	
2 x Large Cam Nut (H2)	1 x Large Dowels (H7)
	
Phillips head screwdriver	






- Insert 1 x Large Dowel (H7) into Panel (P1). ✓
- Attach and fix Panel (P3) to Panel (P1), ensuring aligned groove in Panels (P1)&(P3).
- Insert 2 x Large Cam Nuts (H2) into Panel (P3).
- Turn the Large Cam Nuts (H2) clockwise to tighten. ✓

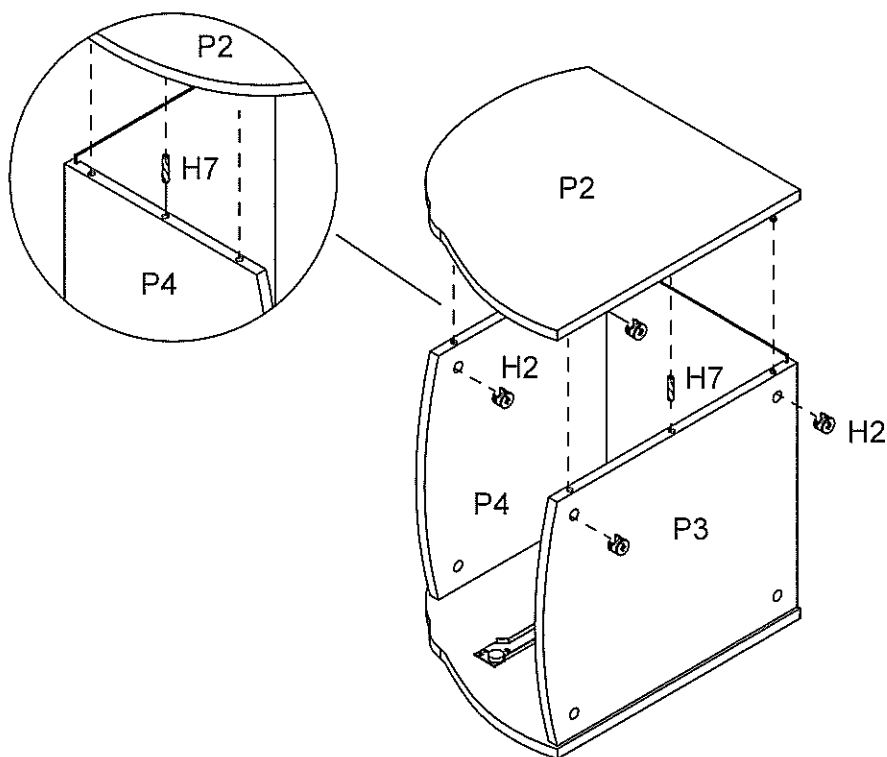
Step 5



- Insert Panel (P5) into grooves of Panels (P3)&(P4). ✓

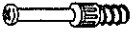

Step 6

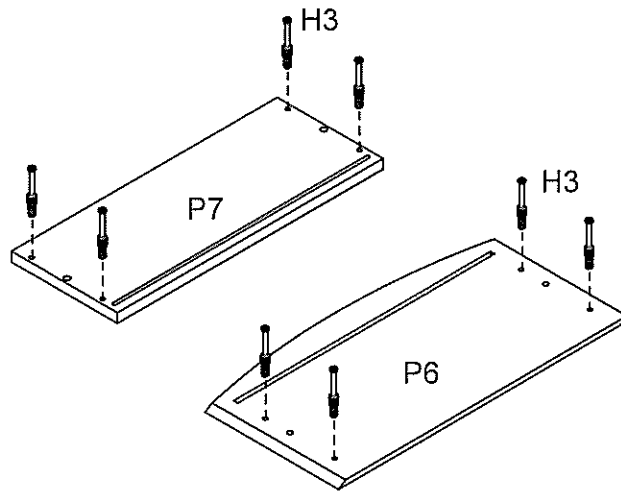
You will need:	
	
4 x Large Cam Nuts (H2)	2 x Large Dowels (H7)
	
Phillips head screwdriver	



- Insert 2 x Large Dowels (H7) into Panels (P3),(P4).
- Attach and fix Panel (P2) to Panels (P3),(P4).
- Insert 4 x Large Cam Nuts (H2) into Panels (P3) (P4).
- Turn the Large Cam Nuts (H2) clockwise to tighten. ✓




Step 7

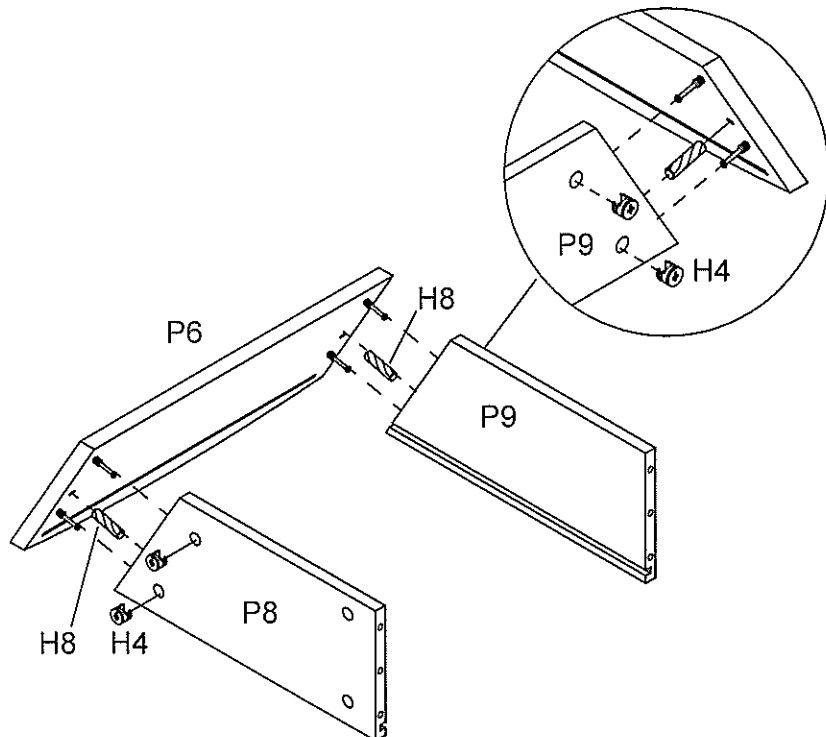
You will need:	
	
8 x Small Cam Bolts (H3)	Phillips head screwdriver



- Screw 8 x Small Cam Bolts (H3) to Panels (P6)&(P7).

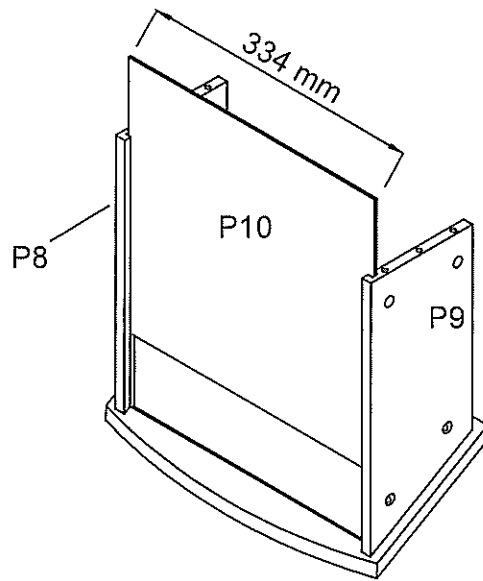
Step 8

You will need:	
	
4 x Small Cam Nuts (H4)	2 x Small Dowels (H8)
	
Phillips head screwdriver	






- Insert 2 x Small Dowels (H8) into Panel (P6).
- Attach Panels (P8)&(P9) to Panel (P6) as shown.
- Insert 4 x Small Cam Nuts (H4) into Panels (P8)&(P9) .
- Turn the Small Cam Nuts (H4) clockwise to tighten.

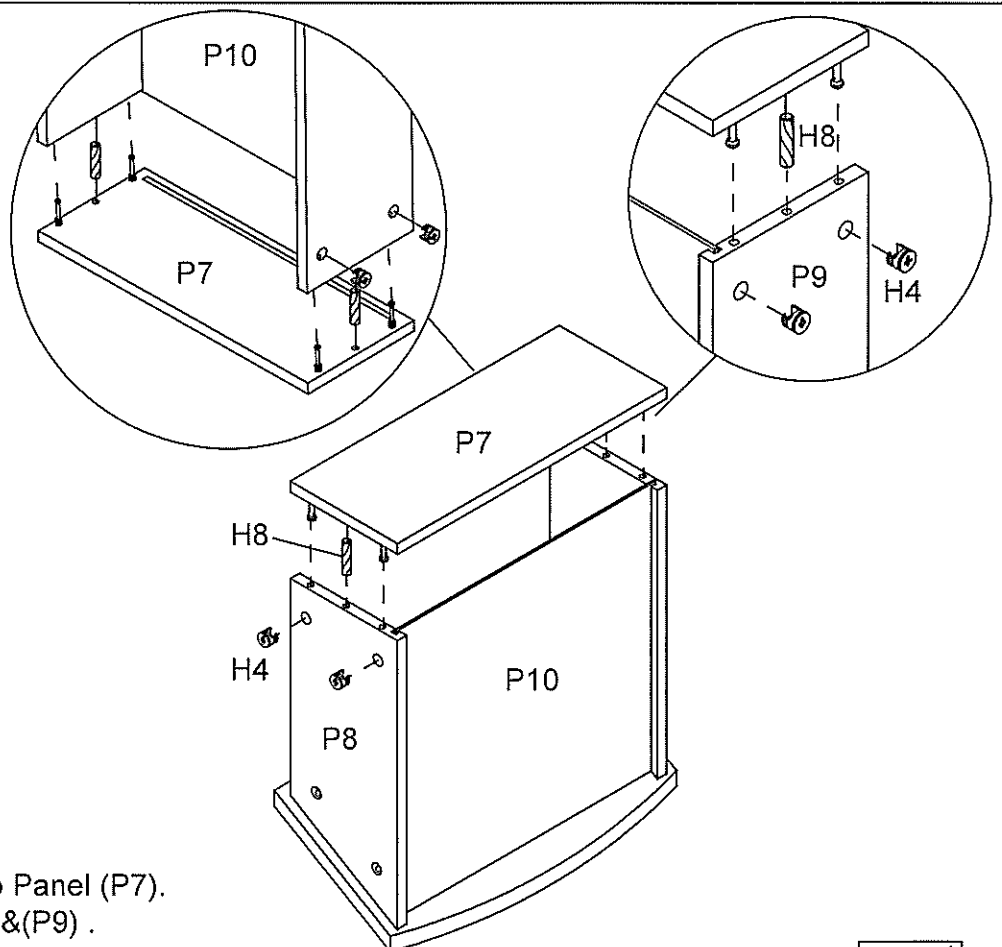
Step 9



-Insert Panel (P10) into Grooves in Panels (P8)&(P9).





Step 10

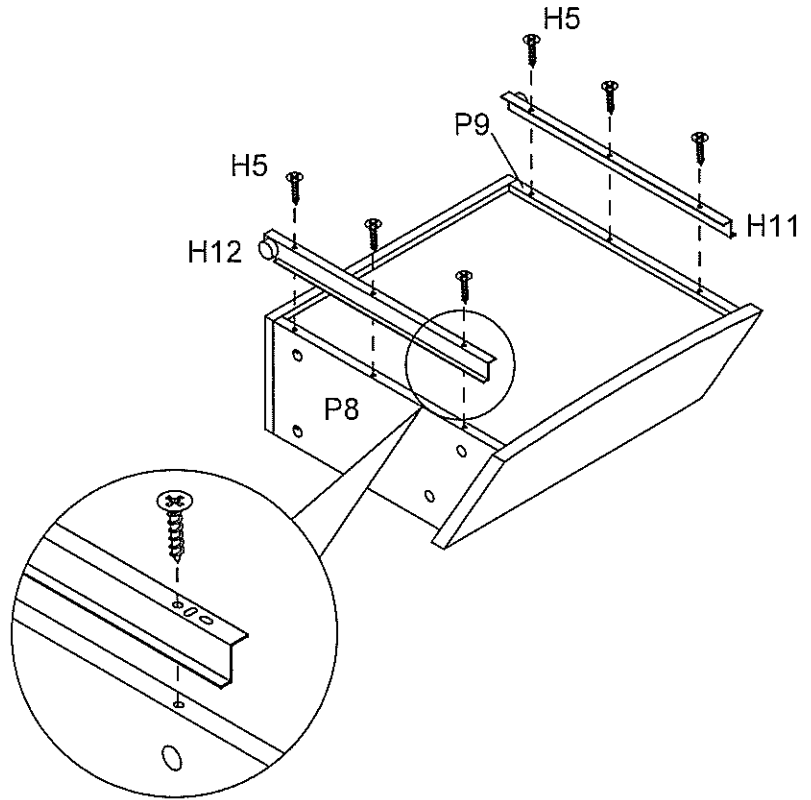
You will need:	
	
4 x Small Cam Nuts (H4)	2 x Small Dowels (H8)
	
Phillips head screwdriver	



- Insert 2 x Small Dowels (H8) into Panel (P7).
- Attach Panel (P7) to Panels (P8)&(P9) .
- Insert 4 x Small Cam Nuts (H4) into Panels (P8)&(P9).
- Turn the Small Cam Nuts (H4) clockwise to tighten. ✓

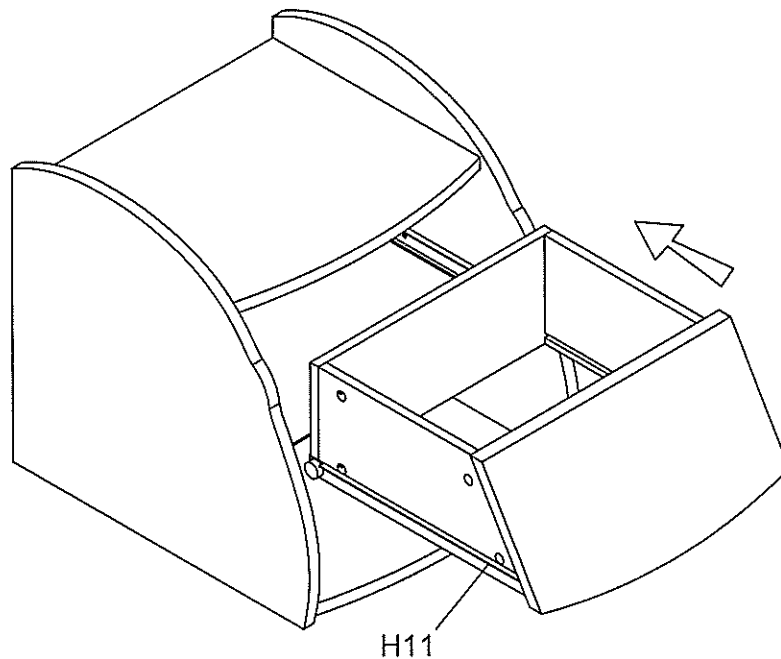
Step 11

You will need:	
	
6 x Large Screws (H5)	1 x Left Runner (H11)
	
1 x Right Runner (H12)	Phillips head screwdriver



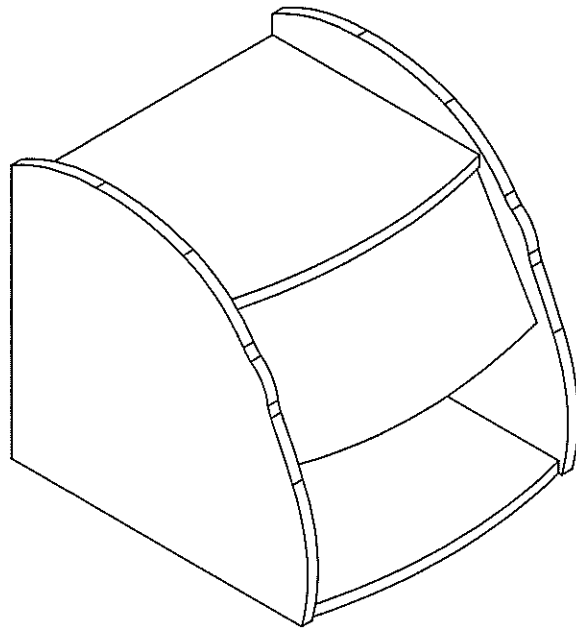
- Attach and fix 1 x Left Runner (H11) to Panel (P9) using 3 x Large Screws (H5).
- Attach and fix 1 x Right Runner (H12) to Panel (P8) using 3 x Large Screws (H5).

Step 12



-Slide drawer into Bedside.

Step 13



Job Complete!

In the interest of our environment please dispose of all packaging thoughtfully.

