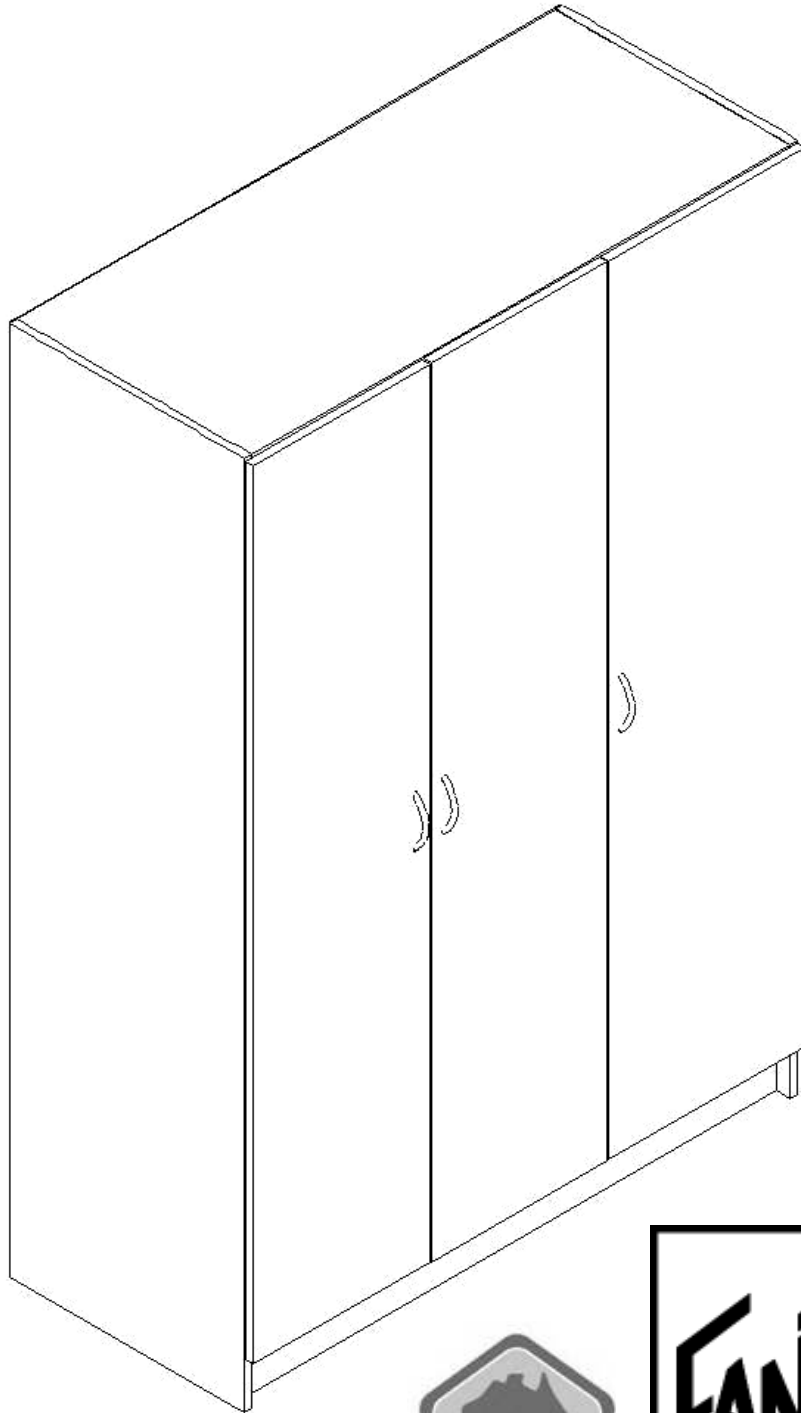


Assembly Instructions

Ryan

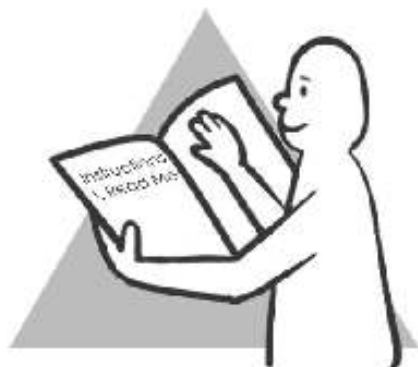
3 Door Robe 1200mm - Oak



WARNING

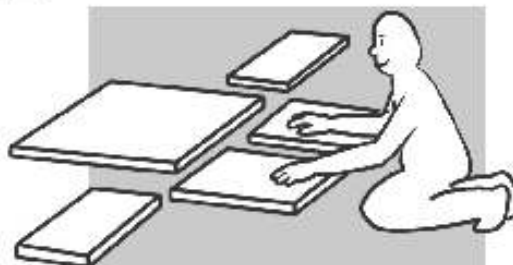
FAILURE TO FOLLOW THESE BASIC STEPS CAN LEAD TO DAMAGE THAT IS NOT COVERED BY YOUR WARRANTY

1



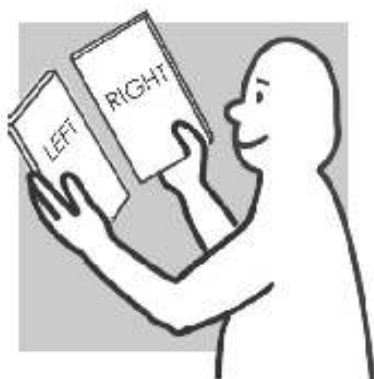
Read instructions carefully. Check no parts are missing.

2



Lay out all of the components on a soft surface as if you were preparing to do a jigsaw puzzle.

3



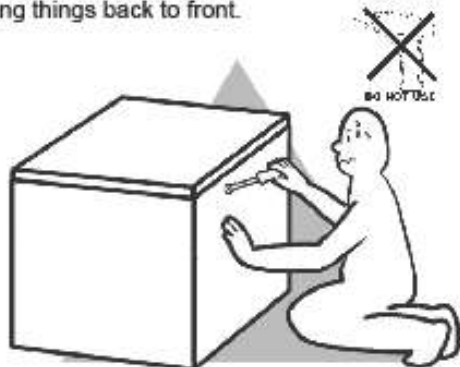
Carefully identify each component, especially those that are similar. The most common mistake is getting things back to front.

4



Separate and identify each component from the hardware pack and rest each one in its proper location before fastening.

5



DO NOT fully tighten screws (leave slightly loose). When the item is fully assembled tighten the screws - but do not over tighten.

6

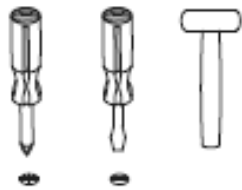


If glue is required **DO NOT** set until you are certain that the parts belong together.

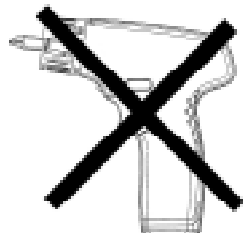
Page 2

It is recommended the wardrobe is assembled in the room that it is intended for.
(CLEAR FLOOR SPACE IN ROOM IF REQUIRED)

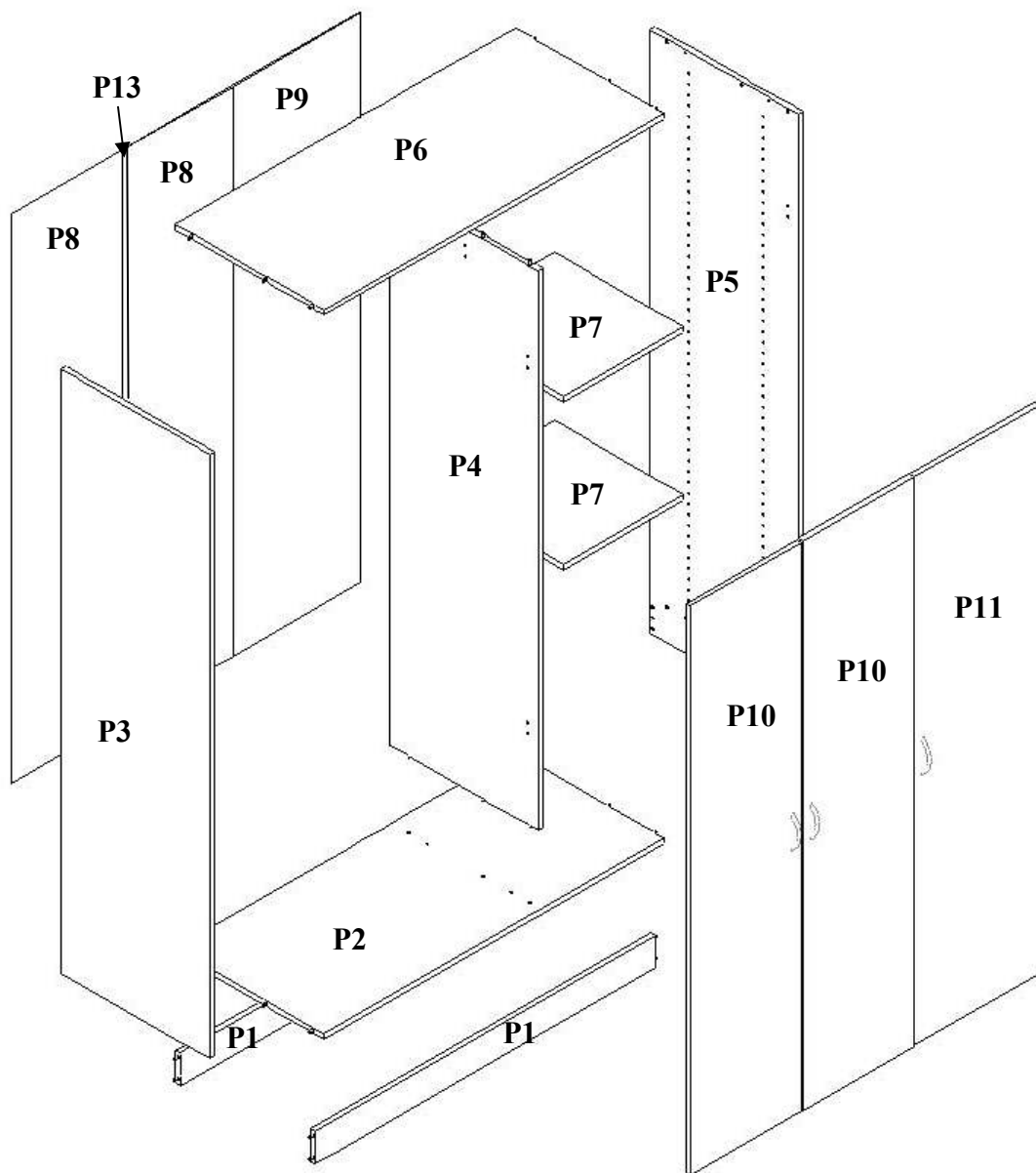
What You Need

















(tools not provided)
 Phillips Head Screwdriver
 Flat Head Screwdriver
 Hammer



DO NOT USE



- 



- 2 x T Z FITTING (H1)
3 x 28MM NIB SCREW (H2)
50 x NAILS (H3)
1 x HANGING RAIL (H4)
- 



- 2 x HANGING RAIL BRACKETS (H5)
16 x CONFIRMAT SCREWS (H6)
12 x CONFIRMAT SCREW CAPS (H7)
8 x SHELF SUPPORTS (H8)
- 



- 14 x 1/2 6g C/S SCREWS (H9)
6 x HINGE & HINGE BLOCK (H10)
3 x BOW HANDLES (H11)
6 x HANDLE SCREWS (H12)
- 

- 6 x PLASTIC GLIDES (H13)
1 x WALL FIXING BRACKET (H14)

STEP 1



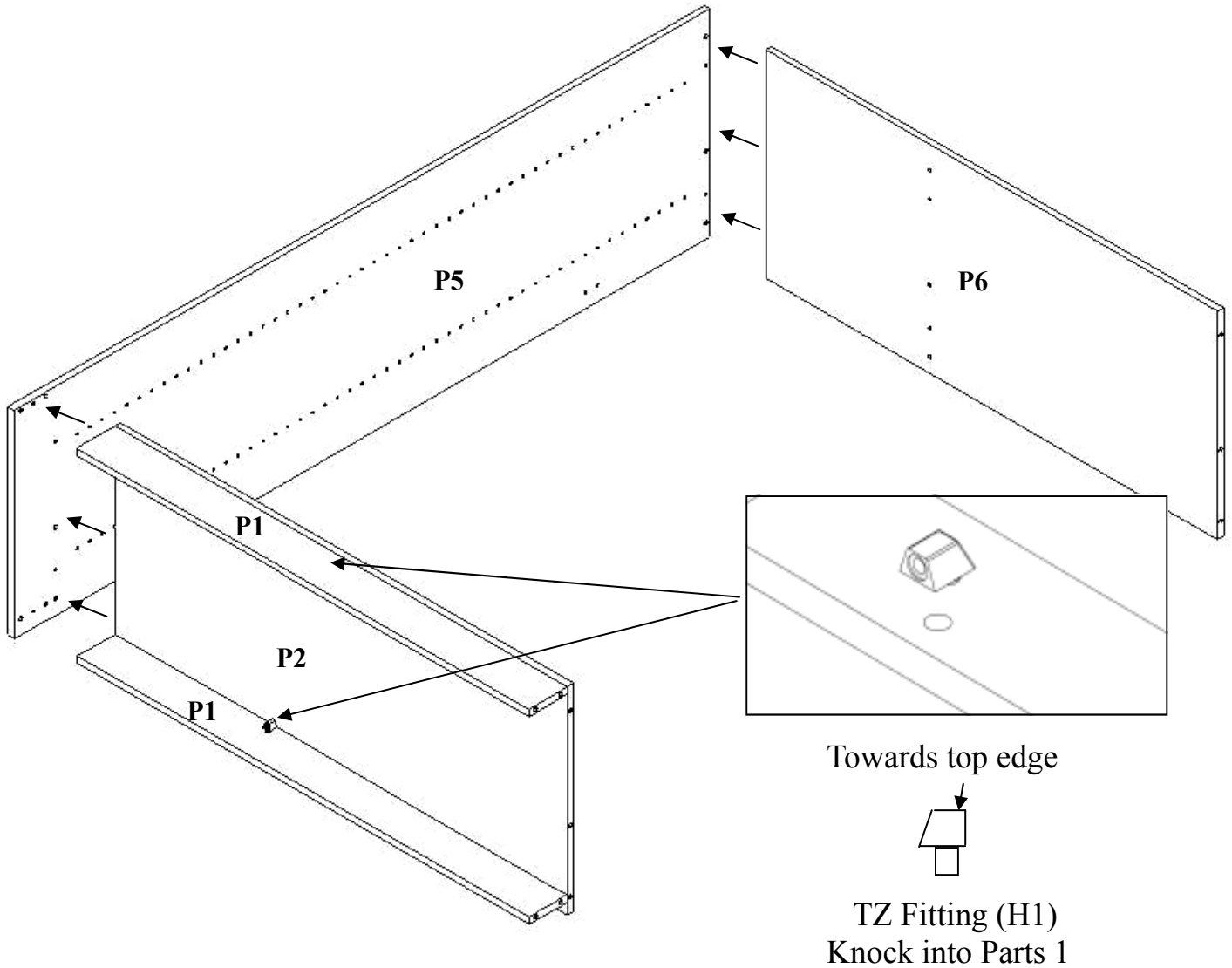
You will need:

2 x T Z Fitting (H1)



Note:

All raw edges should be facing up and Oak edges facing down in this stage of assembling



- 1 Insert TZ fittings in to P1 and tap in with mallet.
- 2 Align dowels on P2 with holes on P5 and bring together.
- 3 Align dowels on P6 with holes on P5 and bring together.
- 4 Align dowels on P1 with holes on P5 and bring together.

STEP 2

You will need:

10 x Confirmat Screws (H6)

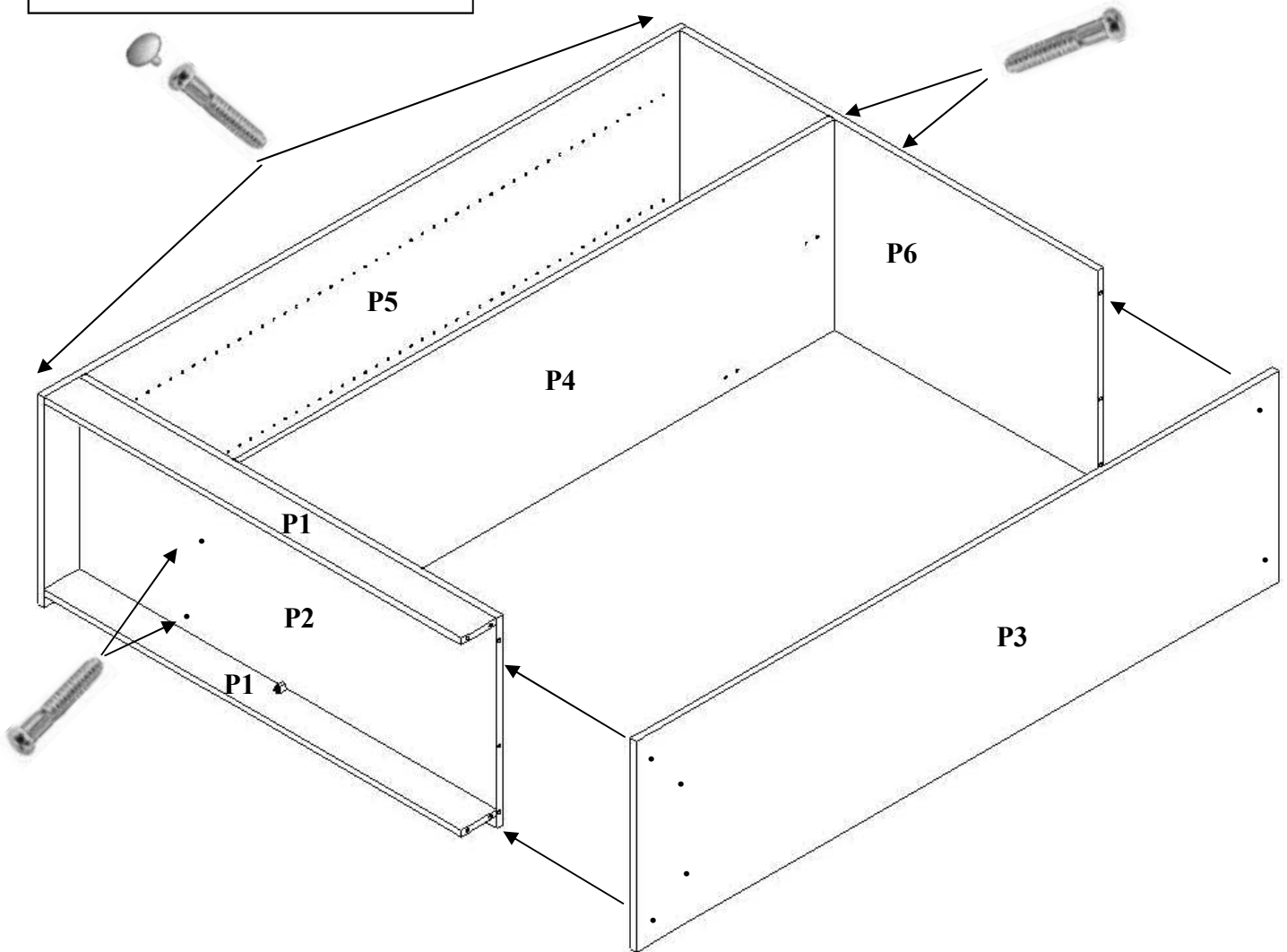


6 x Confirmat screw Caps (H7)



Note:

All raw edges should be facing up and Oak edges facing down in this stage of assembling



- 1 Insert the panel P4 between panels P2 & P6, align dowels with holes and bring together.
- 2 Using 4 x Confirmat screws (H6) fix panel P4 in place through P2 & P6.
- 3 Place P3 on ends of P6, P2 & P1's, align dowels with holes and bring together.
- 4 Using 6 x Confirmat screws (H6) fix panels P5 in place. Insert end caps (H7) into the screws on side panel only.

STEP 3

You will need:

6 x Confirmat Screws (H6)



6 x Confirmat Screw Caps (H7)

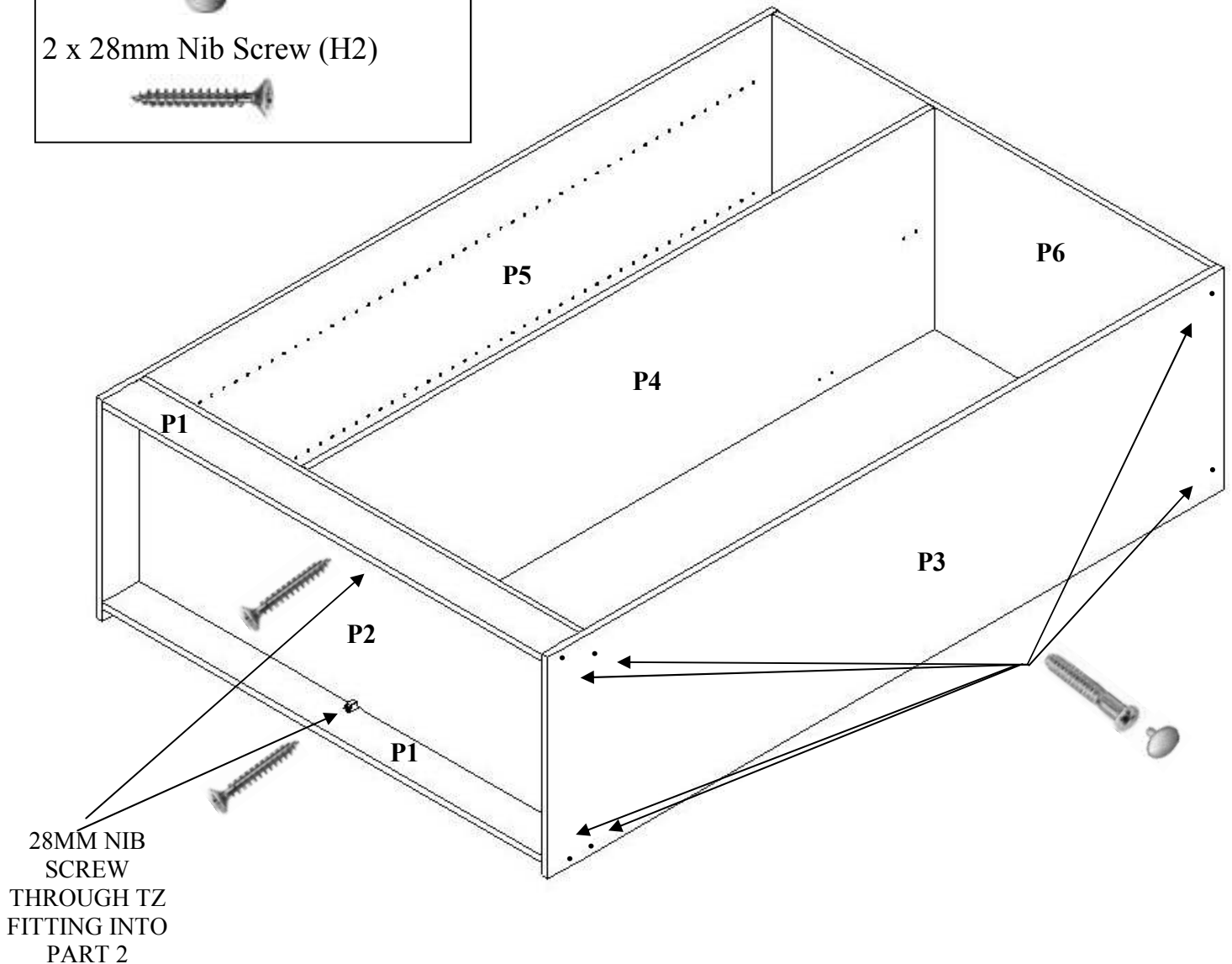


2 x 28mm Nib Screw (H2)



Note:

All raw edges should be facing up and Oak edges facing down in this stage of assembling



- 1 Place unit on it's front, raw edge up, Oak edge facing down.
- 2 Using 6 x Confirmat screws (H6) fix panel (P3) in place. Insert end caps (H7) into the screws on side panel only.
- 3 Fix panels (P1) with 2 x 28mm Nib screws (H2) through TZ fitting to Panel (P2).

STEP 4

You will need:

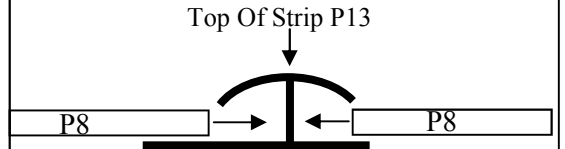
50 x nails (H3)



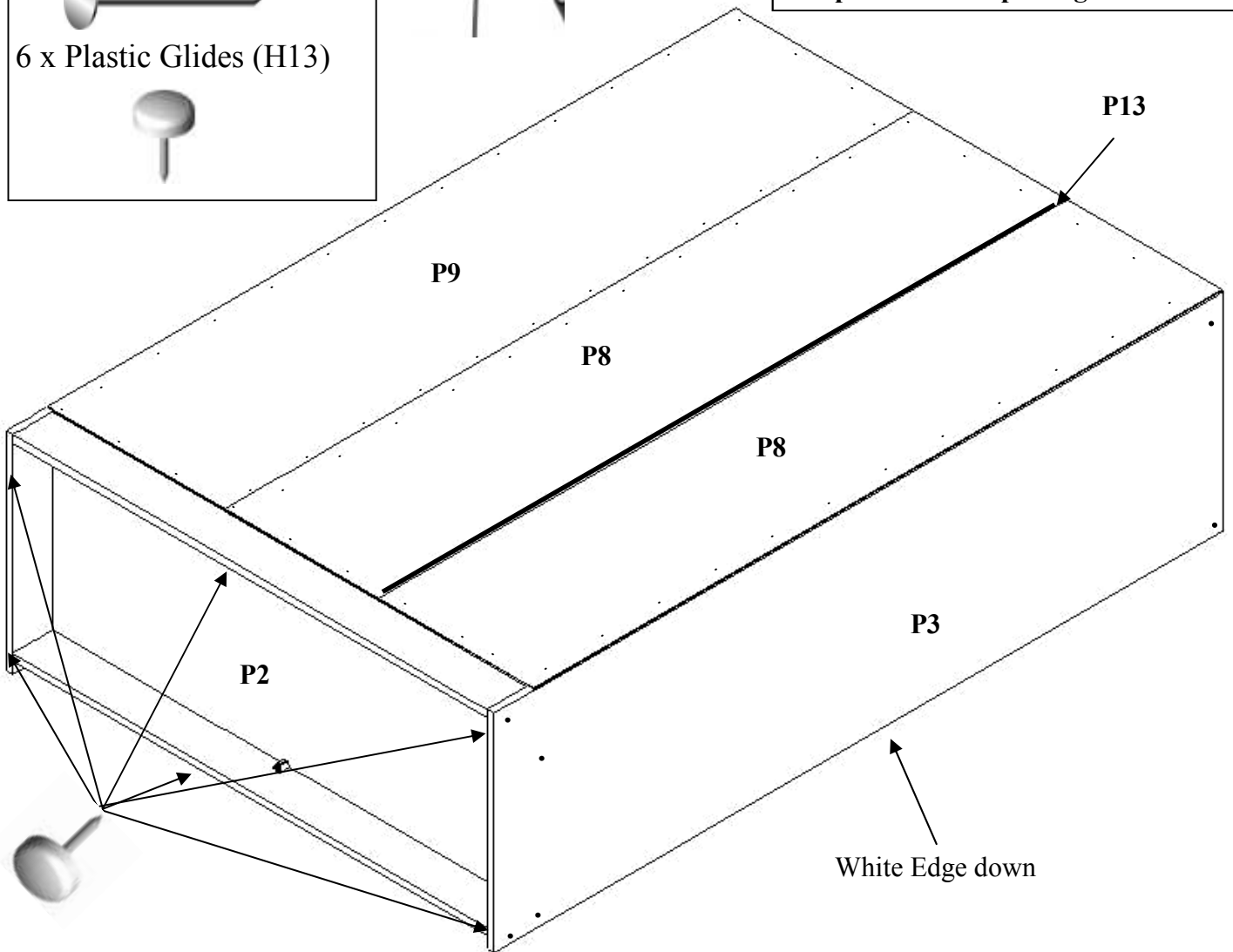
6 x Plastic Glides (H13)



Profile view of connector strip of backs P8



Note: Top of strip (P13) to be facing upwards when placing it on unit



- 1 Ensure the unit is on it's front, raw edge up, Oak edge facing down
- 2 Join the 2 smaller back panels (P8) with the connect strip (P13) as shown above then place over the larger opening. Place the larger back panel P9 over the remaining opening.
- 3 Make sure the unit is square by placing a back panel in corner and aligning the edges of wardrobe.
- 4 Nail in each corner of back panels P8 and P9 and work along the unit, making sure to hammer in the nails close to the edge so the nail penetrates the unit.
- 5 Gently hammer in Plastic glides to bottom edges of wardrobe.

STEP 5

You will need:

2 x Hanging Rail Brackets(H5)



6 x Hinge Block (H10)



8 x Shelf Supports (H8)

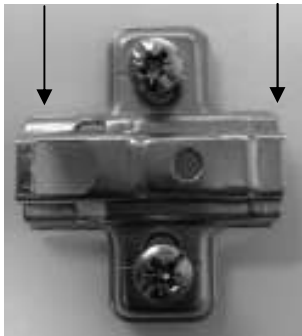


2 x 1/2 6G C/S Screw (H9)

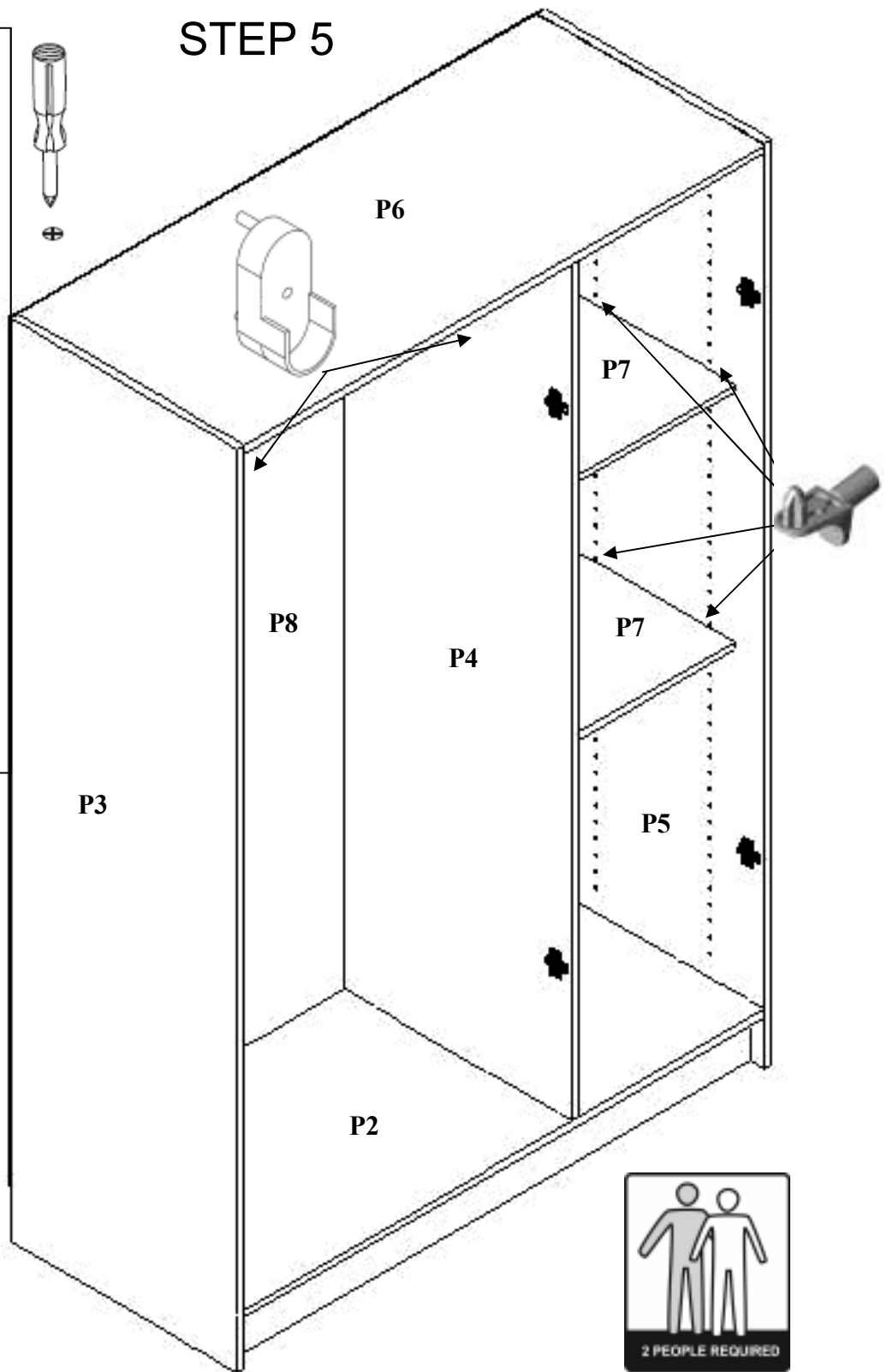


**FACING
REAR OF
UNIT**

**FACING
FRONT
OF UNIT**



When attaching the hinge block (H10) ensure that it is positioned as shown above.



1. Stand unit upright.
2. Insert shelf supports (H8) into your preferred position inside the robe and then insert shelf (P7)
3. Fix 6 hinge blocks (H10) to parts P3, P4, and P5 into the guide holes using the screws provided on the hinge block, making sure the Hinge Block (H10) is facing the right way. (see above picture)
4. Attach Hanging Rail Brackets (H5) into holes provided in P4 & P3 and fix to unit using 2 x 1/2 6g C/S Screws (H9). Simply place the Hanging rail (H4) Into brackets.

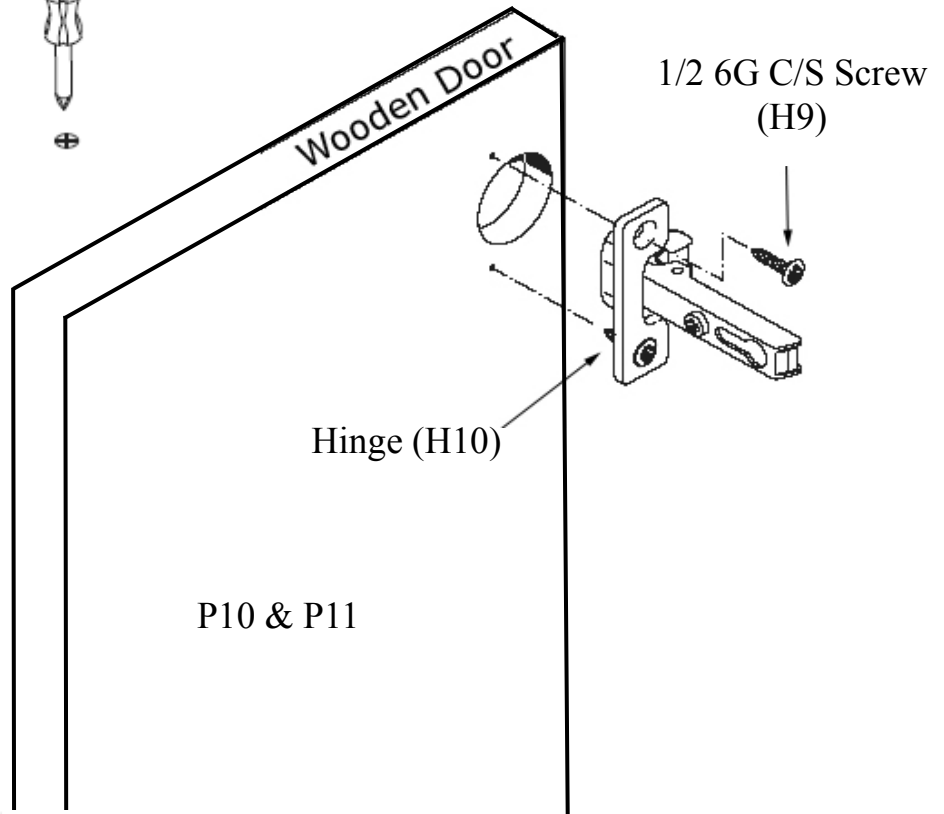
STEP 6

You will need:

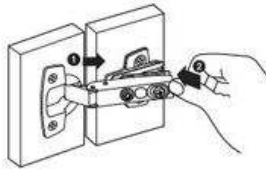
6 x Hinge (H10)



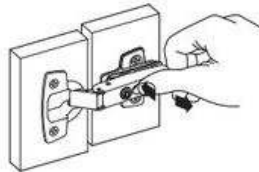
14 x 1/2 6G C/S Screw (H9)



Mounting Door to Cabinet



Installation



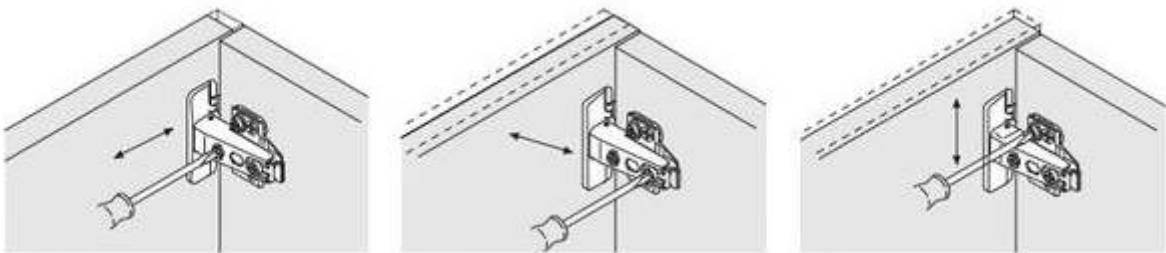
Removing

Snap-On System

The hinge arm is positioned on the mounting plate and simply clipped on from front to back.

It can easily be removed from the mounting plate by pressing the back end of the hinge arm which will release it from the block

Adjustment of Doors (More information on page 12)



1. Attach hinge (H10) to all doors (P10 & P11) using the 12 x 1/2 6G C/S Screw (H9) using the pilot holes as shown in picture above.
2. Working from the top down, Position the Hinge (H10) and the Hinge Block (H10) together from the front of the Hinge Block first then simply click together.

Note: The smaller doors P10 attach to P3 and P4 while the larger door P11 attaches to P5

STEP 7

You will need:

3 x Bow Handle (H11)



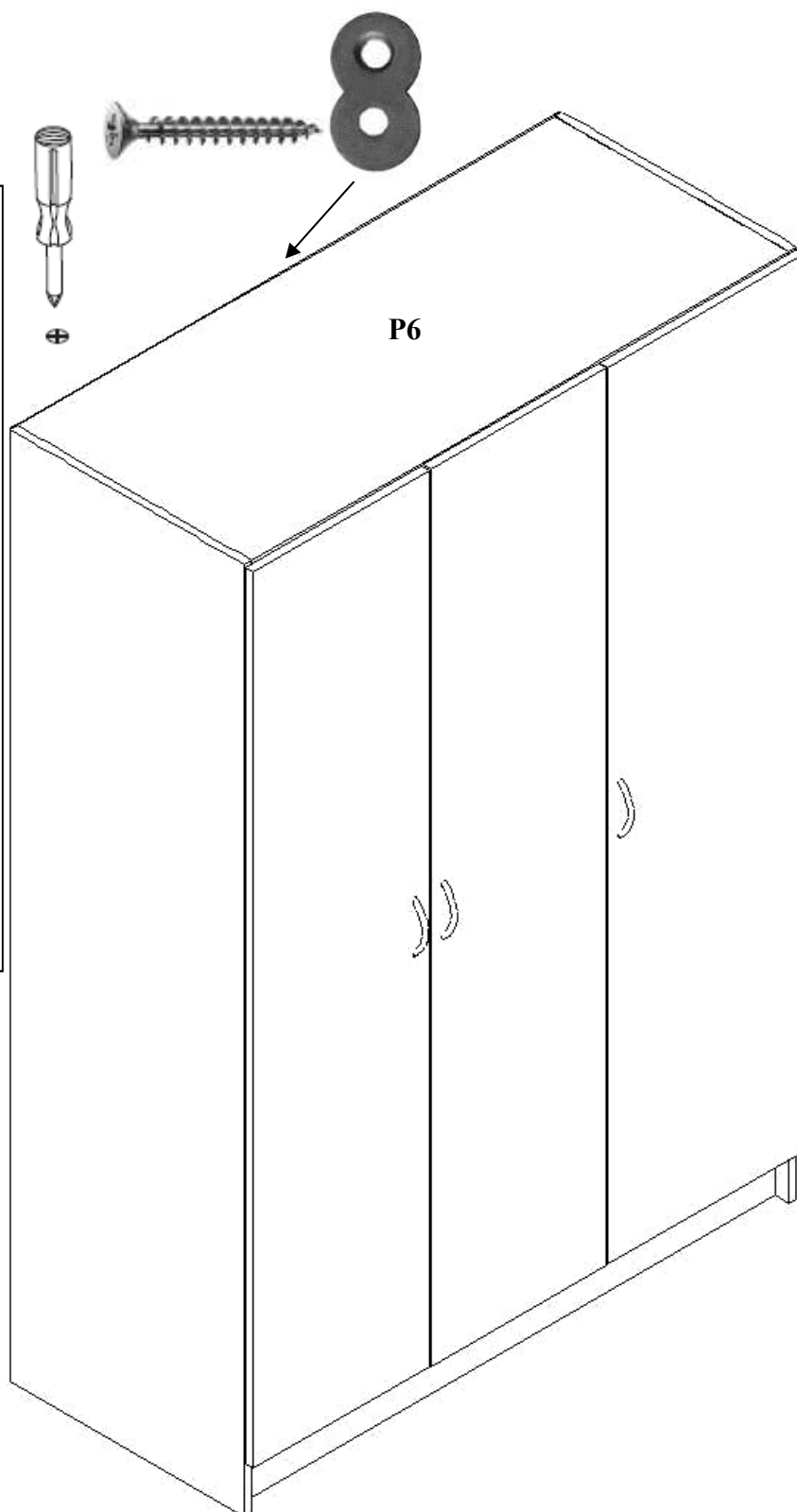
6 x Handle Screw (H12)



1 x Wall Fixing Bracket (H14)



1 x 28mm Nib Screw (H2)



- 1 To fit handles, place handles (H11) on the front of the door and use Handle Screw (H12) to fix handle to the door from the inside of the unit.
- 2 We recommend the unit to be fixed to the wall, to do this you can use the Wall Fixing Bracket (H14). Attach the Wall Fixing Bracket with the 28mm Nib Screw (H2) through the bottom hole of the Wall Fixing Bracket (H14) to the back of the unit along the top edge of Part (P6) so it aligns with the wall.

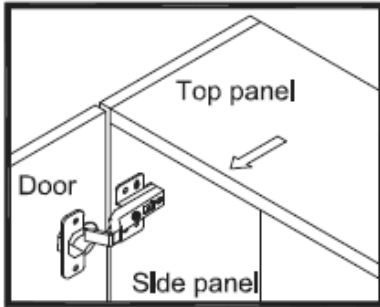
Consult your hardware specialist for which fastener is recommended for your wall

STEP 8

TO ADJUST YOUR DOORS TO MAKE THE GAPS MORE EVEN (OPTIONAL).

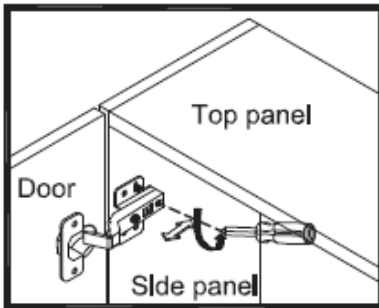
STEP 1

Open the door.



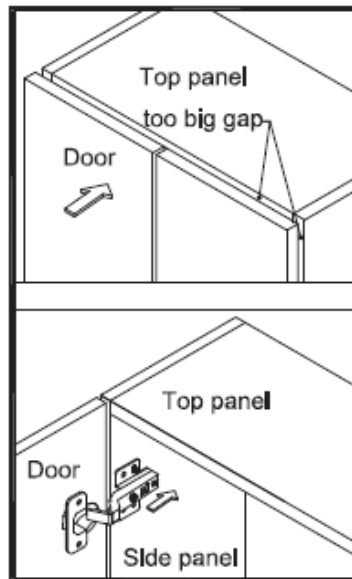
STEP 2

Adjust the gap between door panel and side panel



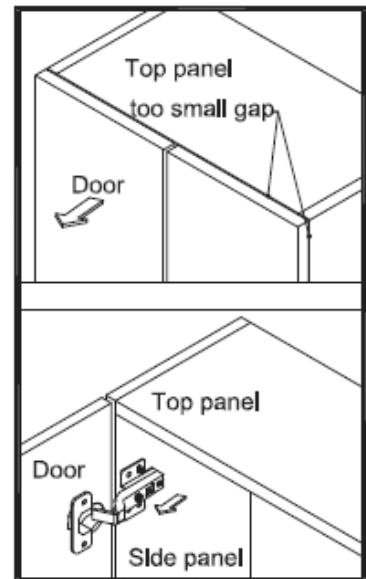
Loosen the screw indicated a little, adjust the hinge to right position (see step 2a & 2b), then tighten the screw.

STEP 2a MOVE DOOR IN



Push the hinge back a little.

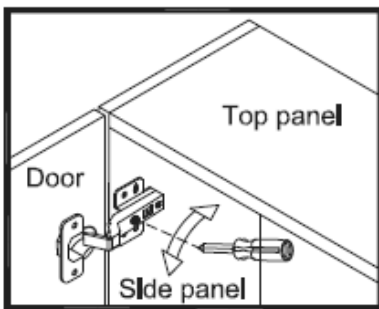
STEP 2b MOVE DOOR OUT



Pull the hinge forward a little.

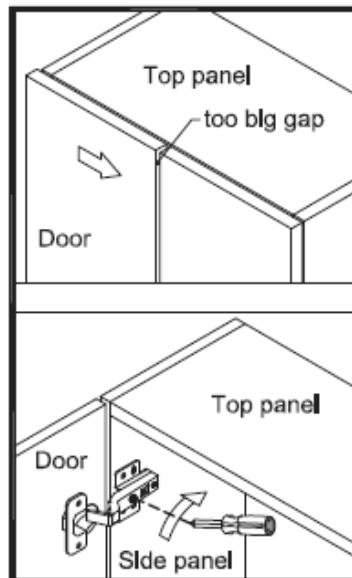
STEP 3

To adjust the gap between two door



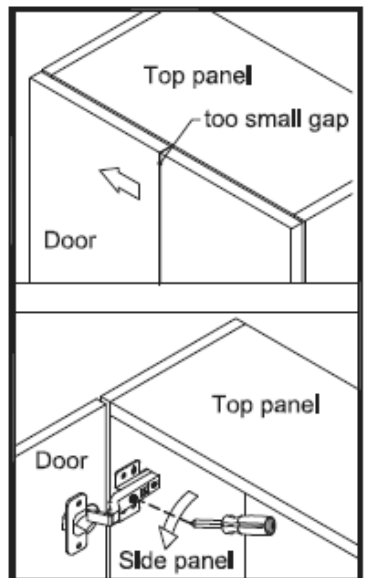
Loosen or tighten the screw indicated a little to adjust the gap between doors panels (see step 3a & step 3b)

STEP 3a MOVE DOOR RIGHT

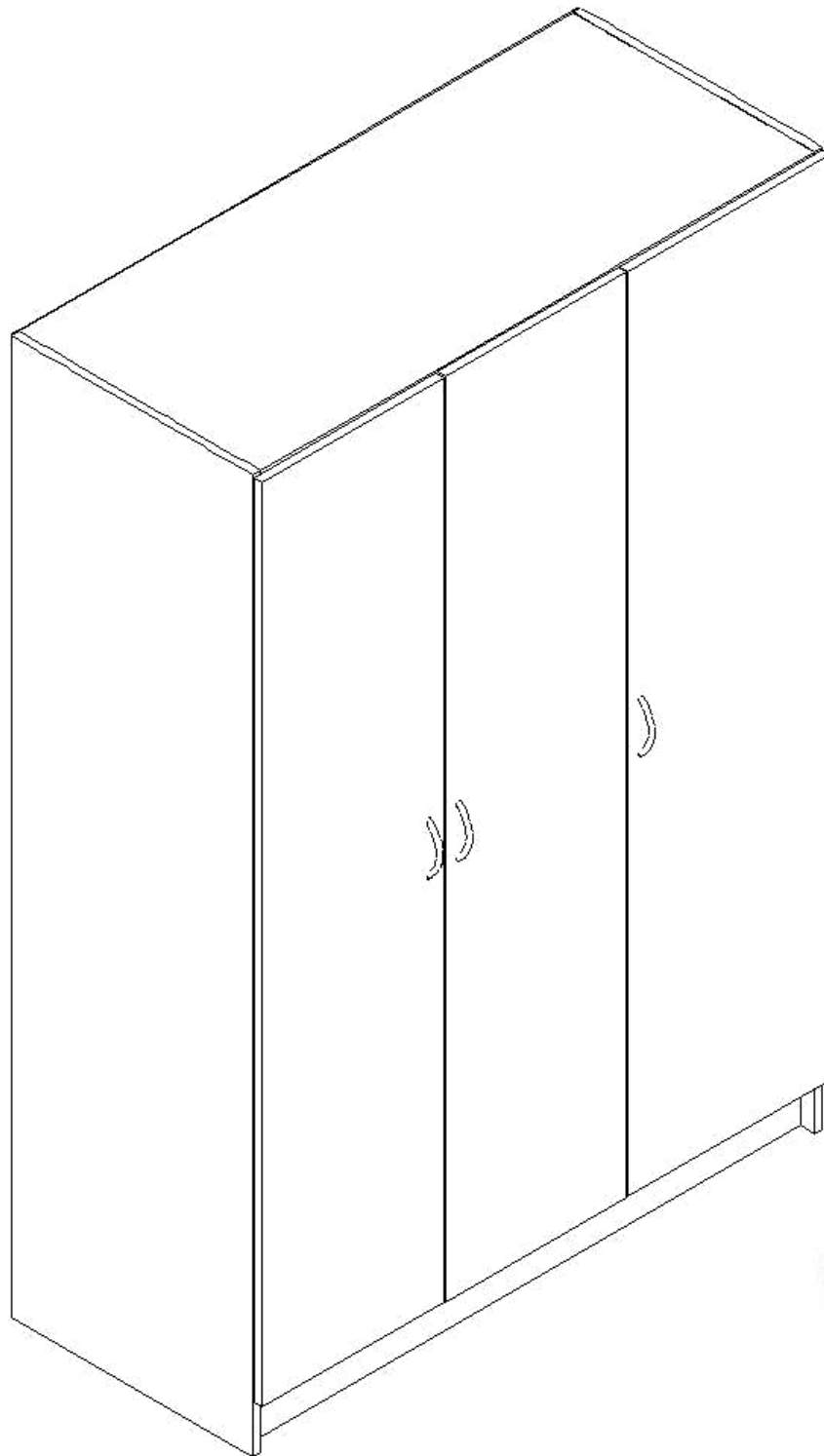


Turn the screw clockwise a little as shown to make the gap small.

STEP 3b MOVE DOOR LEFT



Turn the screw counterclockwise a little as shown to make the gap big.



YOUR UNIT IS NOW COMPLETE

In the interest of our environment
Please dispose of all packaging thoughtfully.

CAUTION

We recommend all units to be screwed to the wall .
Consult your hardware specialist for which fastener is recommended.