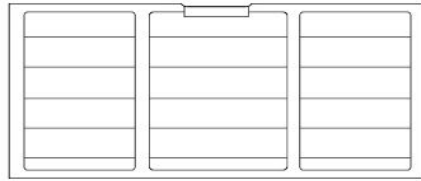
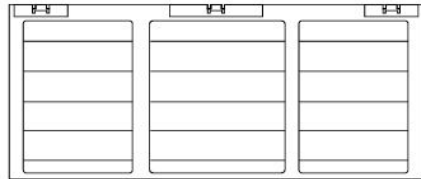


Installation Instructions

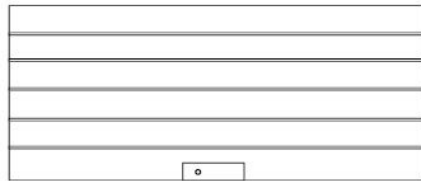
PARTS LIST:



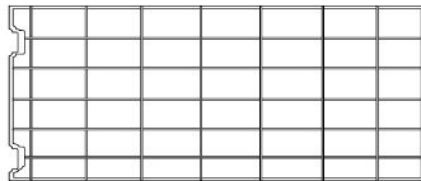
Front Panel



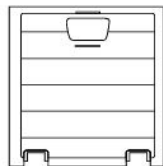
Back Panel



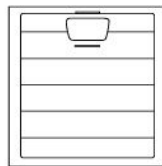
Lid



Bottom Panel



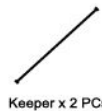
Right Side



Left Side



Bolt x 3 PCs



Keeper x 2 PCs



Handle x 2 PCs

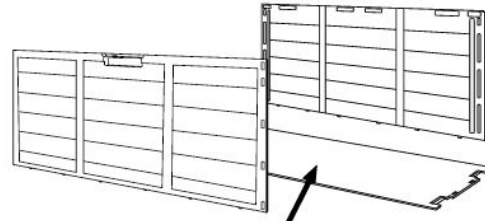


Wheel x 2 PCs



Wheel Frame x 2 PCs

Step 1 Fix the front & back panels onto the bottom panel.



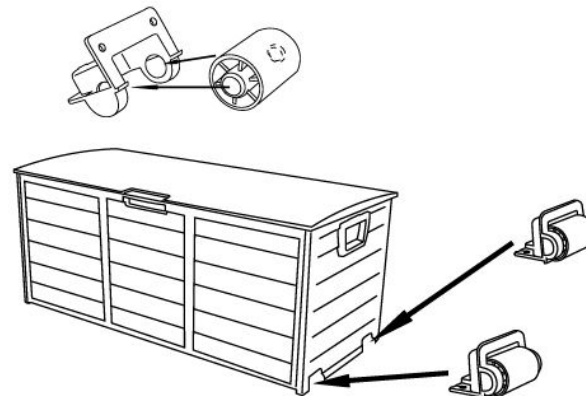
!Caution: Put the flat face upwards.

Step 2 Fix the side panels with the bottom, front & back panels.

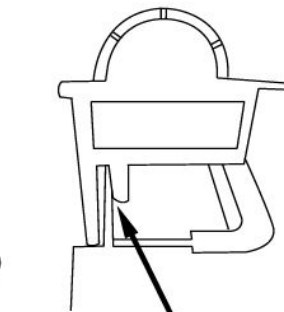
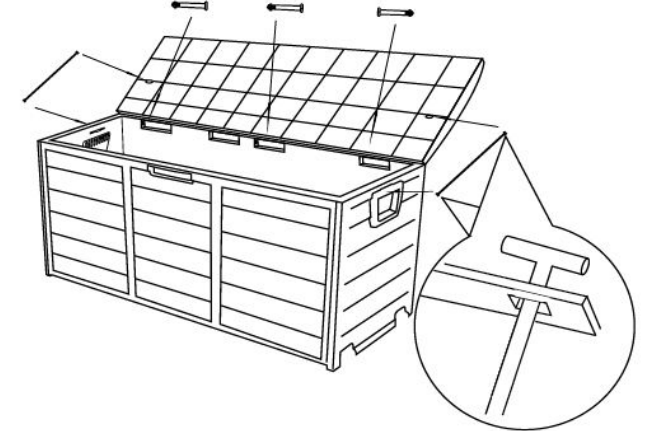


Must be at the same side

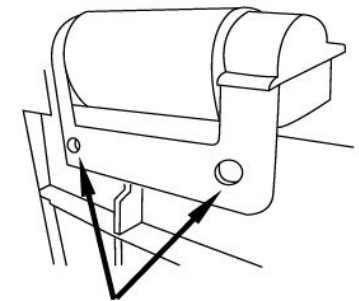
Step 4 Fix the wheels.



Step 3 Fix the lid to back panel. Insert three bolts and two keepers.



Please insert the bottom edge into the groove of the wheel frames.



Please click the two holes on the frame exactly with the plugs of the bottom panel.