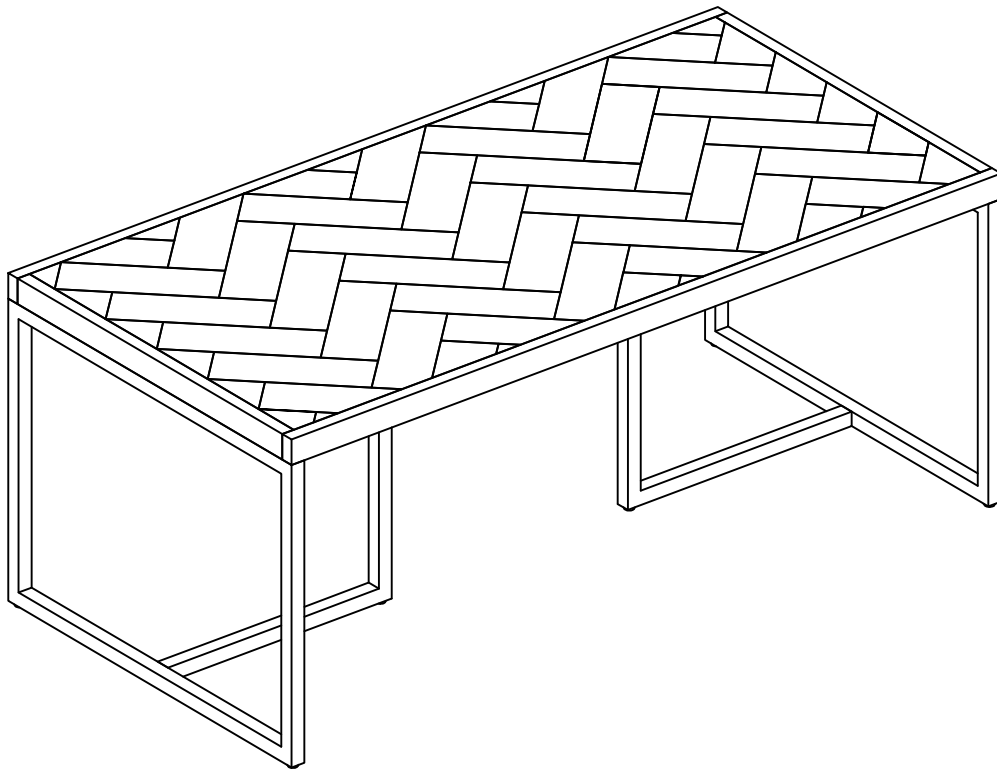




Version 1.0



PORTOFINO

Coffee Table Rectangle

www.fantasticfurniture.com.au

Enjoy

Your purchase from
Australia's Best Value Furniture Store



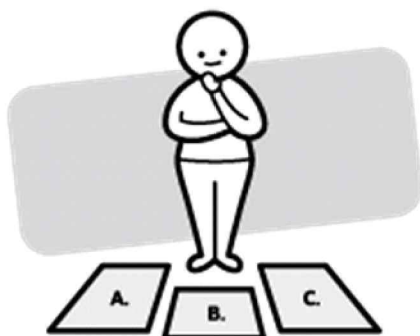
Assembly Checklist



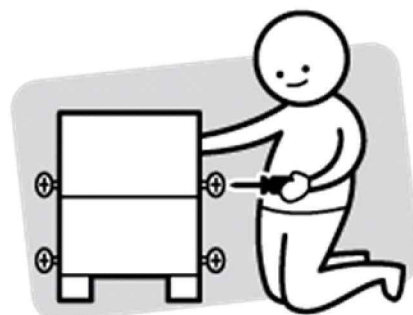
Read through the instructions carefully before you begin.



Make sure you have all the required tools. Never use power tools unless instructed.



Identify and lay out all of the components before you begin assembly.



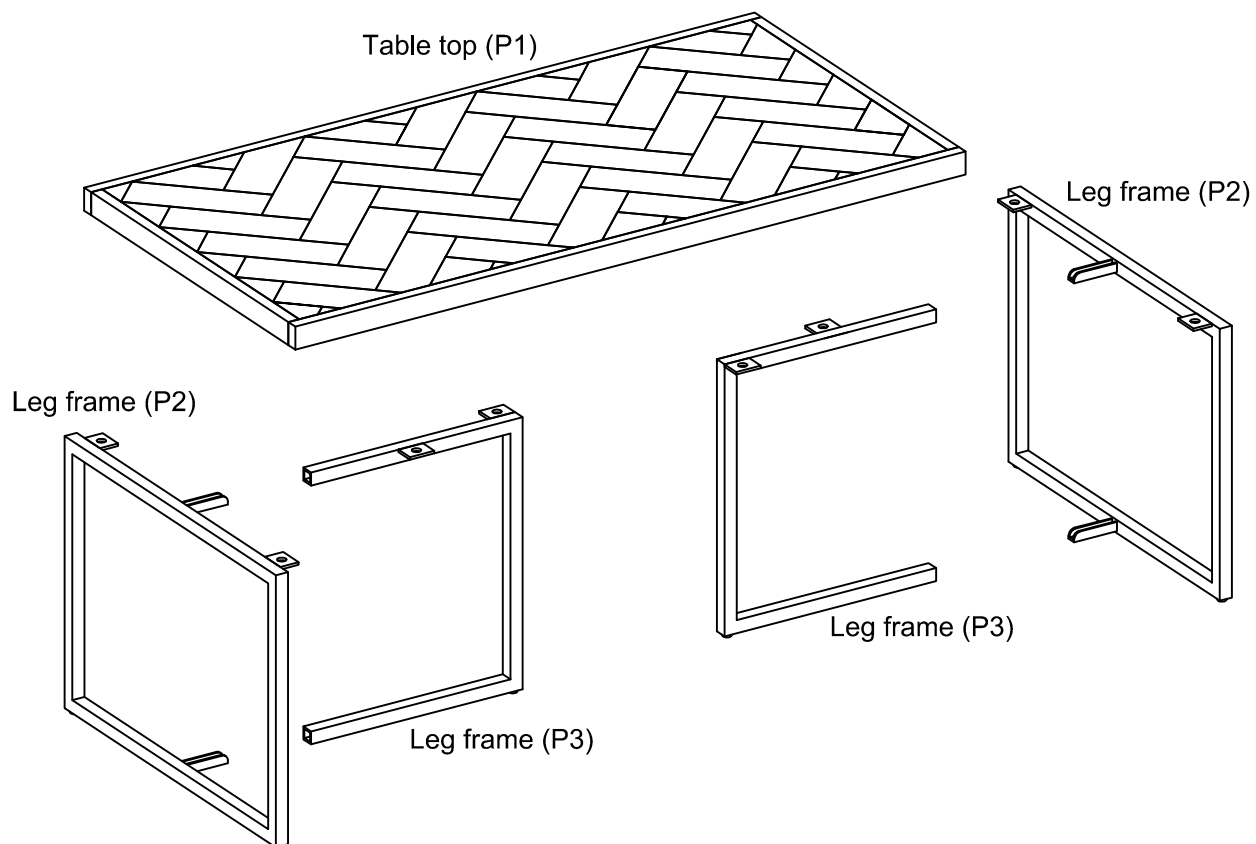
Unless instructed, do not fully tighten screws until the item is fully assembled.

Useful Information

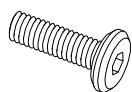
- ! Never use power tools unless specifically instructed. They can damage your components or hardware if used incorrectly.
- ! The most common mistakes made during assembly are using the wrong hardware or getting components back to front.
- ! Always use a soft surface (such as carpet or cardboard) when assembling your product to avoid scratching or damaging the surface of the product.
- ! Bulky items such as wardrobes and bunk beds should be assembled in the room they will be used in as they may not fit through a door once assembled.
- ! Never use any glue until you are certain that the parts belong together.
- ! Periodically check and re-tighten all fasteners. Check the product care label or website for product care instructions.
- ! If you are having any difficulties assembling your product, missing any hardware or components please visit our website Help Centre for further assistance.

What you need

to assemble the product



Parts list
Table top (P1)
Legs frame (P2) x 2
Legs frame (P3) x 2



16 x Bolt
(H1)



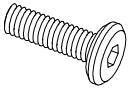


16 x Flat washer
(H2)

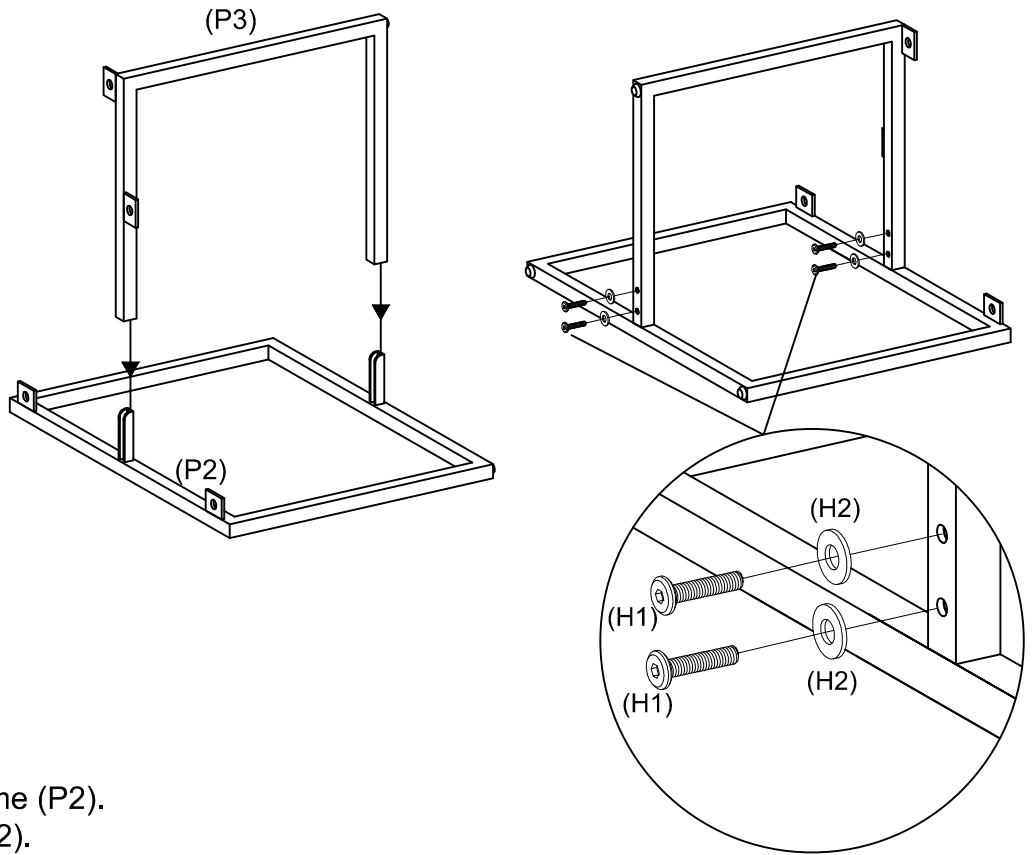


1 x Allen key
(H3)

Step 1

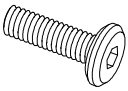


Note: Assemble the coffee table on a soft flat surface to prevent unit from being damaged during assembly.

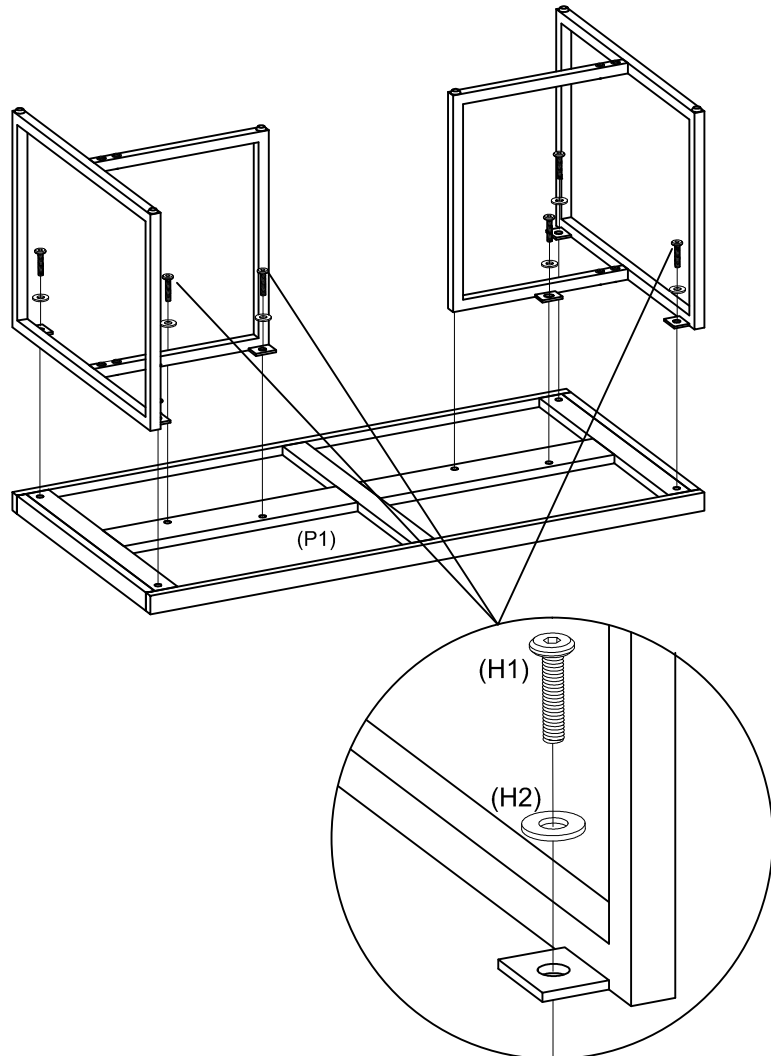
You will need	
	
8 x Bolt (H1)	8 x Flat washer (H2)
	
1 x Allen key (H3)	



Fix the legs frame (P3) to legs frame (P2).
Using 8 bolts (H1) & 8 washers (H2).

Step 2


You will need	
	
8 x Bolt (H1)	8 x Flat washer (H2)
	
1 x Allen key (H3)	

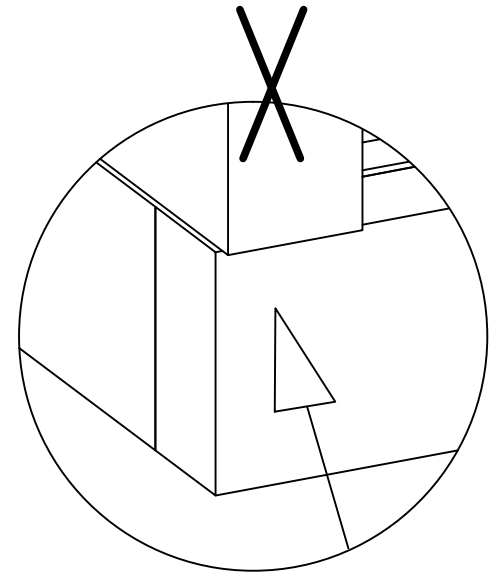
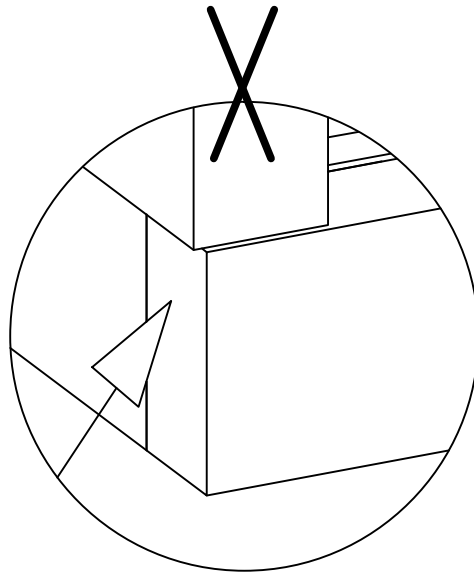
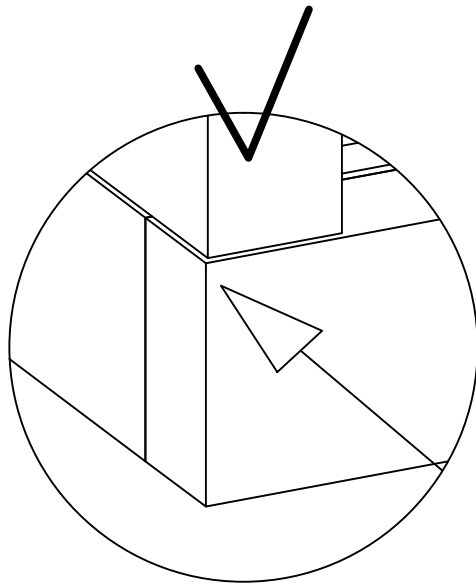
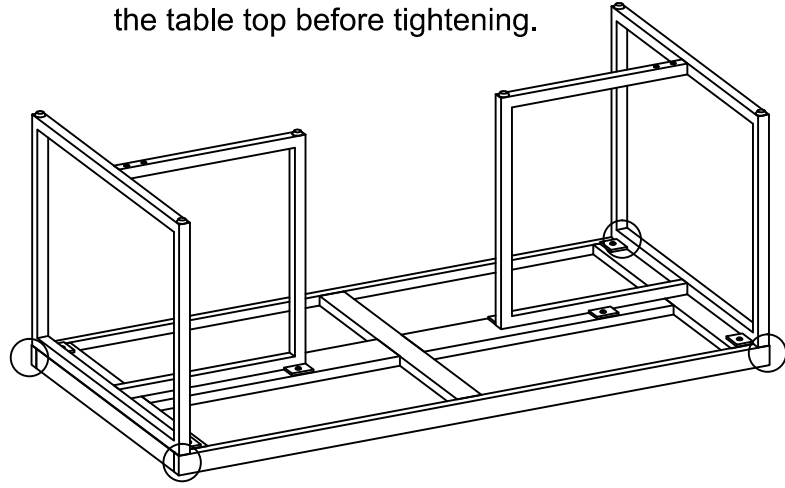


Fix the legs frame to table top (P1).
Using 8 bolts (H1) & 8 washers (H2).

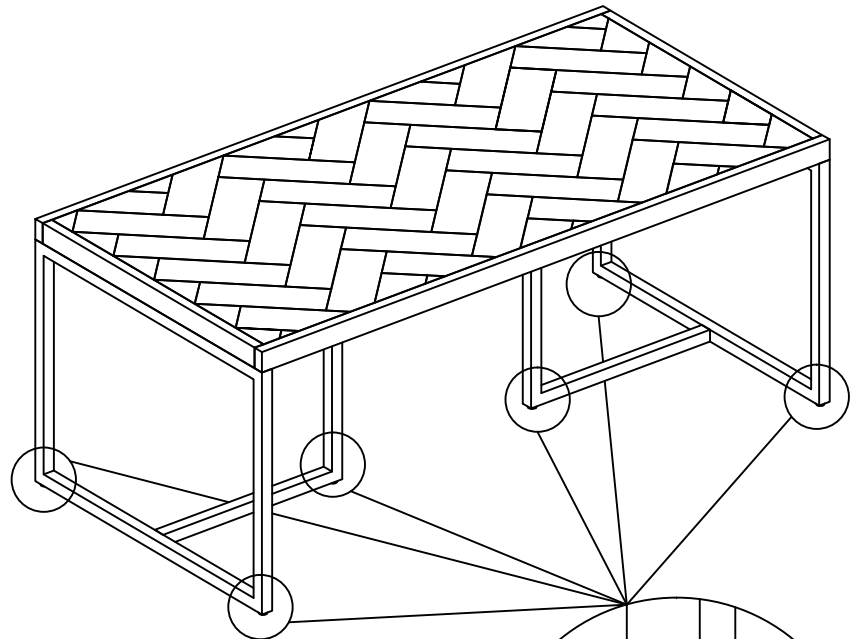
Step 3

Make sure the frame aligns to the table top before tightening.

You will need	
	
1 x Allen key (H2)	

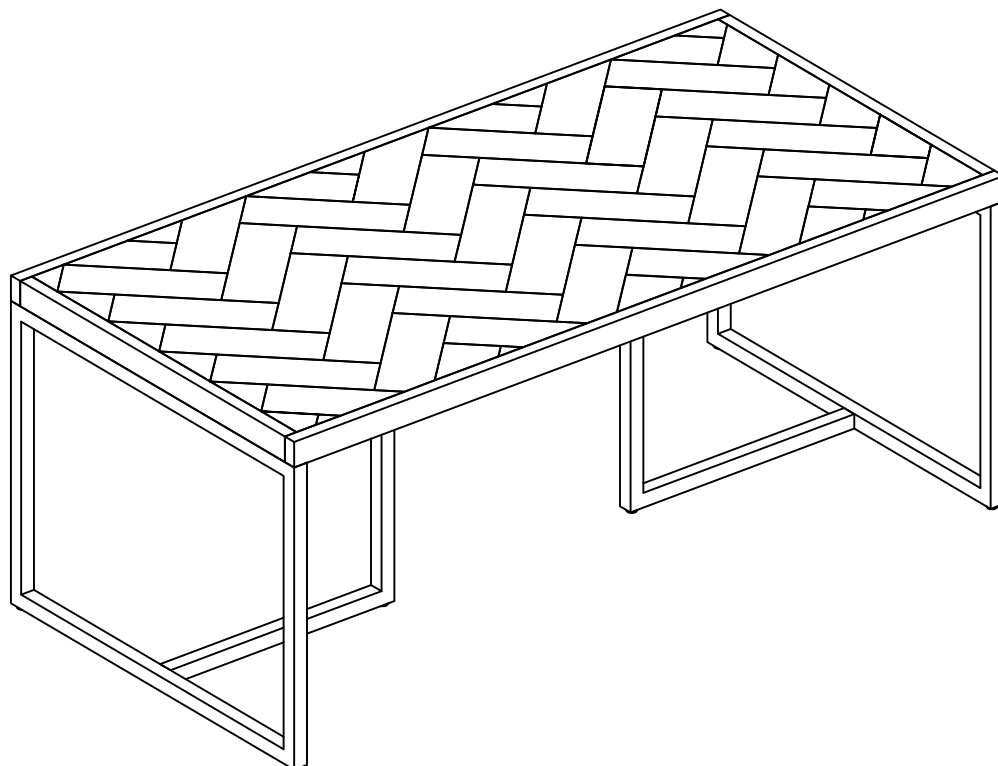


Step 4



Stabilize your unit by adjusting the plastic feet as maybe required.

Step 5



Job Complete!

In the interest of our environment please dispose of all packaging thoughtfully.