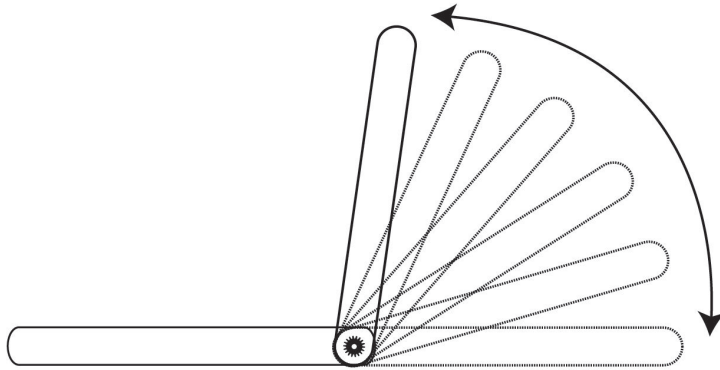


Thank you for your purchase. Please read following instructions before start using.

Function

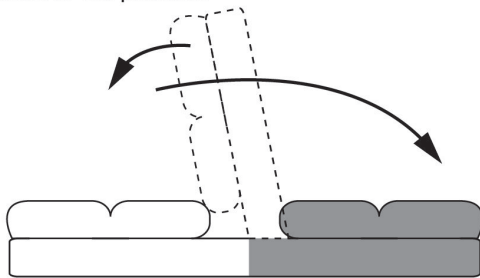


- Waist position:
5 locking position.
Refer to the arrow for angles.

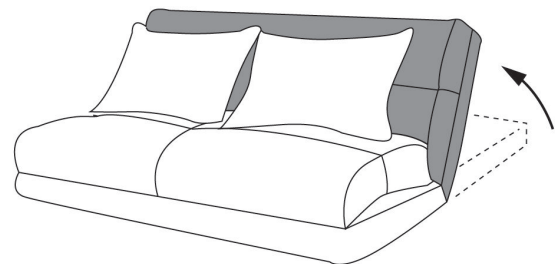
Tip: To ensure the position is locked, there will be a locking sound. Please refer the arrow for right direction.

Some normal placings

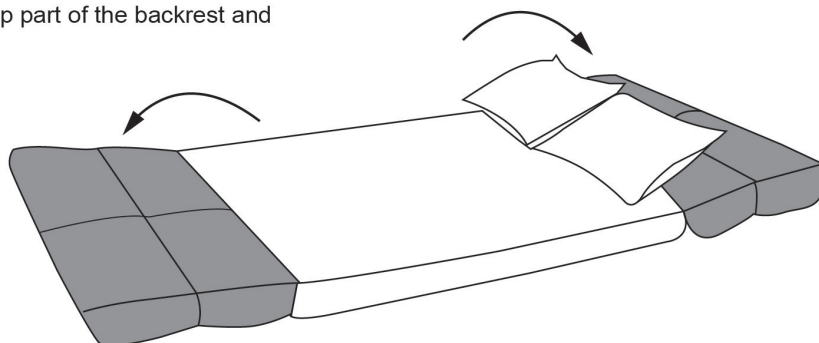
1. Pull backrest towards seat position to unlock it completely. After the unlocking sound, you can pull the backrest to flat position.



2. Adjust the backrest to your desired position.



3. You can unfold the top part of the backrest and seat for more space.



Note

1. Please ensure the right part of the seat is assembled. Otherwise, it would not function properly and damage the product.
2. If you use the item wrongly as pictured on the right, it will reduce its life span.

