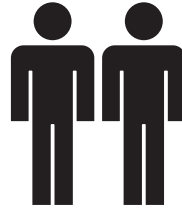


# Maine Double Door Mirrored Bathroom Cabinet

1.0hr

APPROXIMATE ASSEMBLY TIME

2 PERSON ASSEMBLY

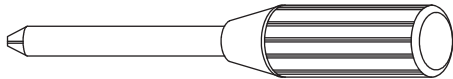


FLOOR AREA  
1M x 2M

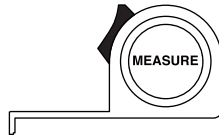


REQUIRED ASSEMBLY SPACE

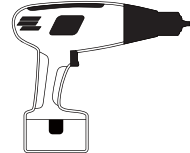
REQUIRED ASSEMBLY TOOLS



POZI SCREWDRIVER

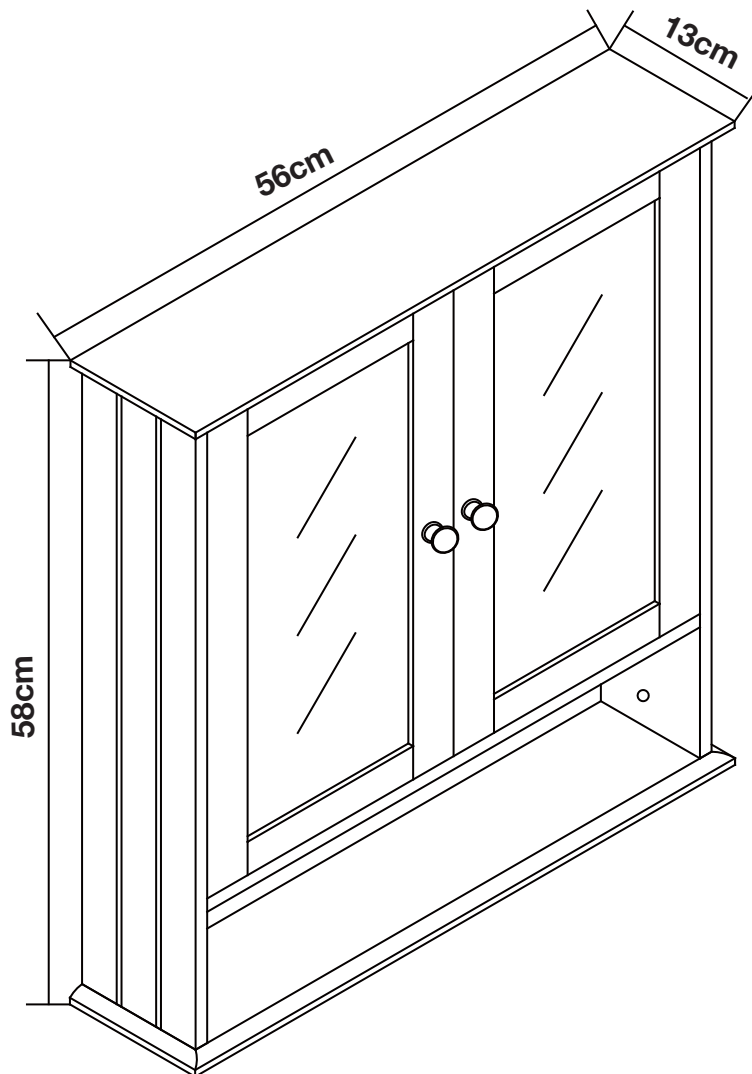


MEASURING TAPE



DRILL

## ASSEMBLED DIMENSIONS



# Maine Double Door Mirrored Bathroom Cabinet

## Tips before you start:

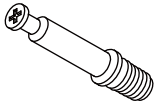
1. Please check that all parts are present before you start the assembly of your furniture.
2. For ease and speed of assembly, we recommend that before you commence each step of the assembly, that you identify all the parts required for that step.
3. For larger items, please ensure that you have sufficient space and people (as indicated on page 1) to assemble your product safely.
4. We recommend that, where possible, all items are assembled near to the area in which they will be placed in use, to avoid moving the product unnecessarily once assembled.
5. For the protection of your furniture, we recommend that the product is placed on a protected surface during assembly to prevent any damage.
6. During assembly please take care not to over-tighten any fittings, as this may damage the product.
7. Always place the product on a flat, steady and stable surface.
8. Do not stand on the product. Do not use the product as a stepladder.
9. This product is intended for indoor, household use only as it is non industrial product.

## Care and Maintenance of your Furniture

- Please periodically check all fittings and re-tighten as necessary.
- To clean your item, please use a damp cloth and wipe clean.
- Never allow any kind of liquid to remain on your furniture. Absorption can cause wood to warp or finishes to de-laminate.
- Please do not place hot items (eg. Hot drinks) directly on to the surface.
- Please do not drag and pull your furniture.

# Maine Double Door Mirrored Bathroom Cabinet

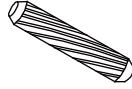
## HARDWARE LIST



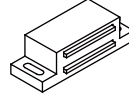
6xA  
Pin



6xB  
Cam Lock



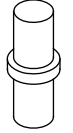
16xC  
Wooden Dowel



1xD  
Magnet



2xE  
Screw



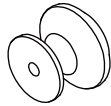
4xF  
Door PiN



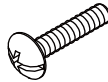
2xG  
Screw



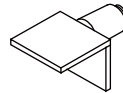
2xH  
Magnet Strip



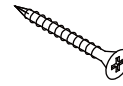
2xI  
Knob



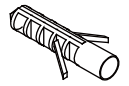
2xJ  
Bolt



4xK  
Shelf Supporter

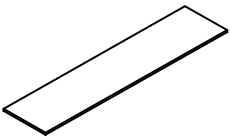


2xL  
Screw

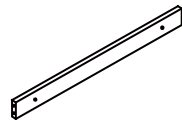


2xM  
Plastic Insert

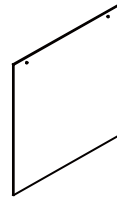
## PARTS LIST



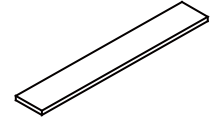
1 1PC



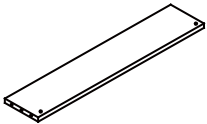
2 1PC



3 1PC



4 1PC



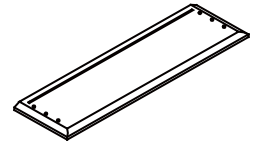
5 1PC



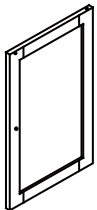
6 1PC



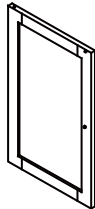
7 1PC



8 1PC



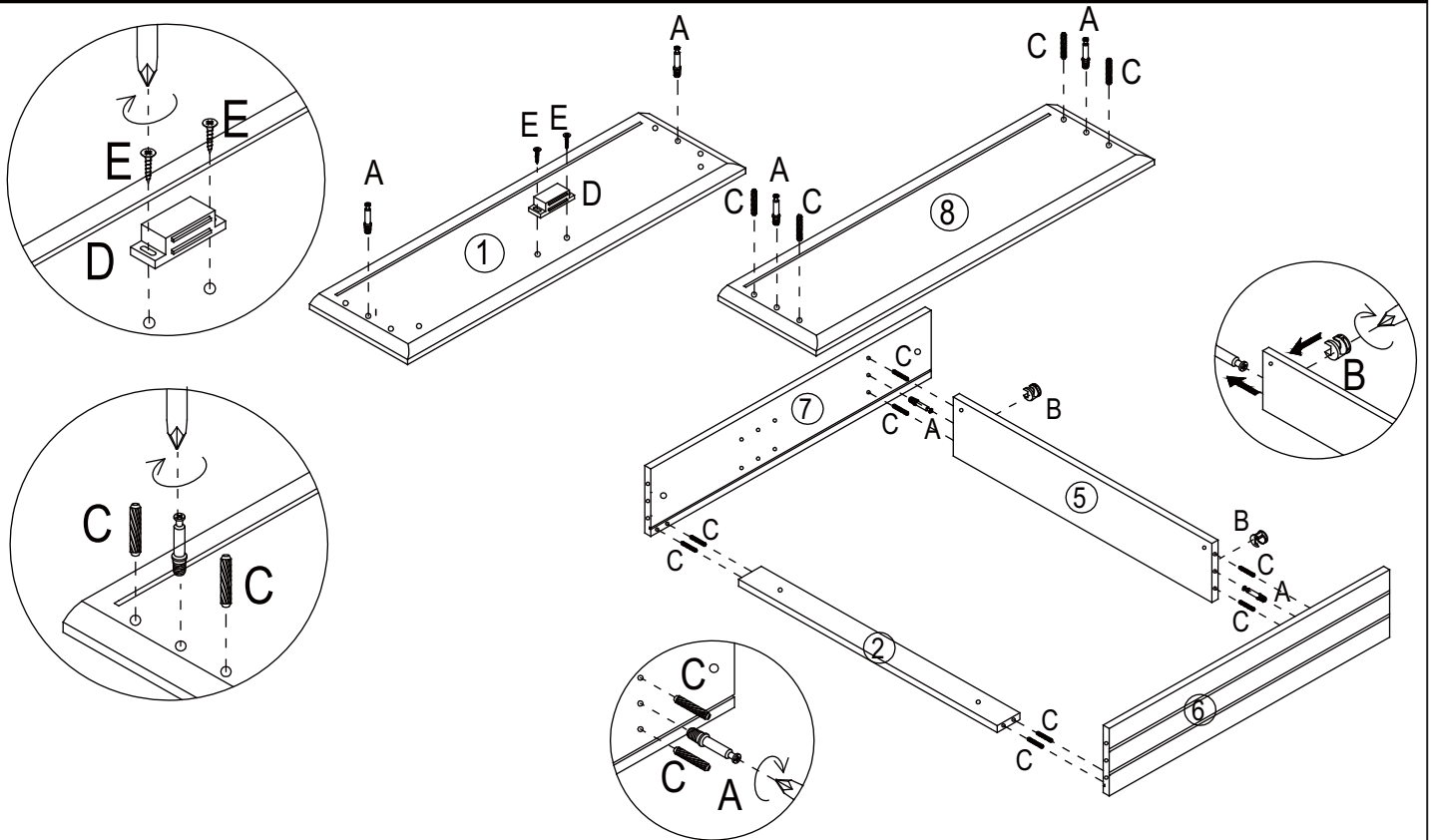
9 1PC



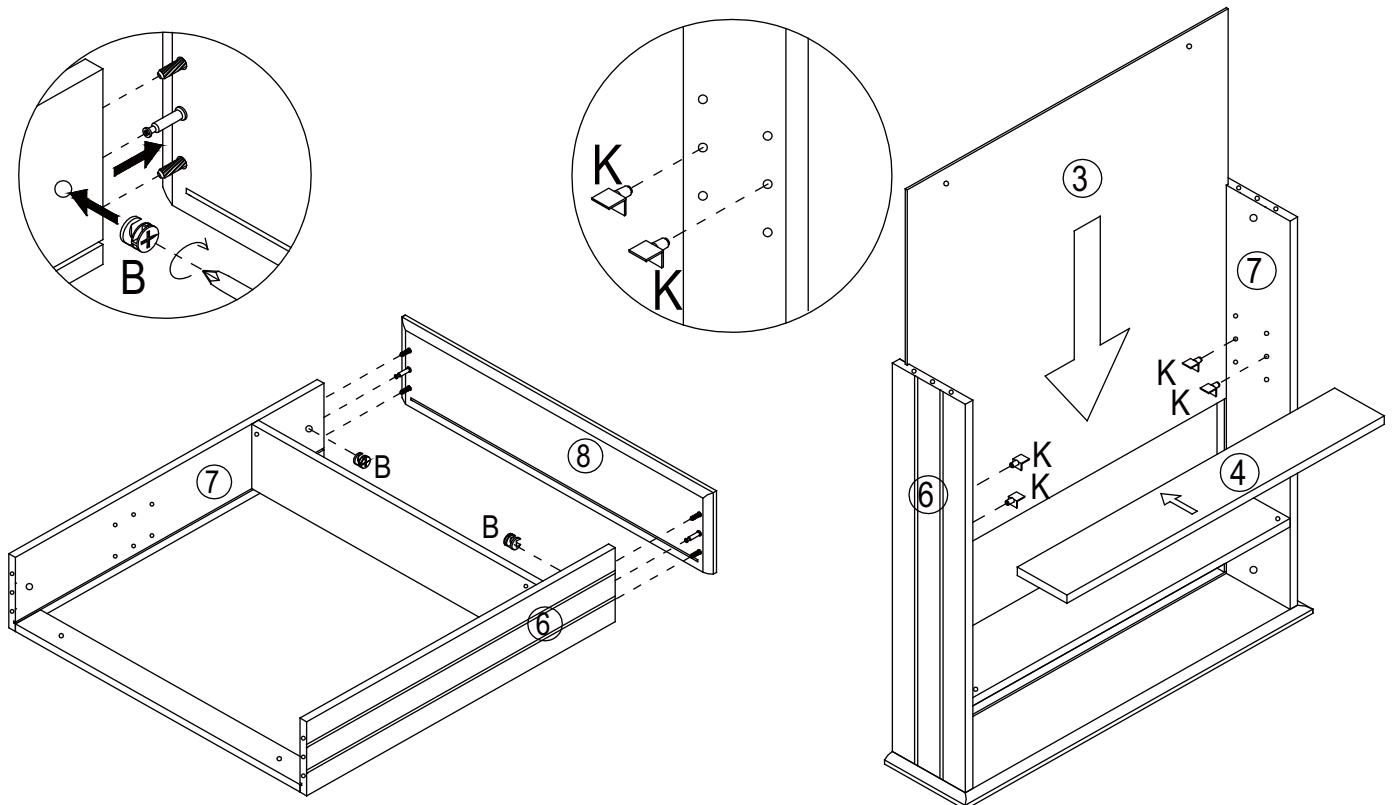
10 1PC

# Maine Double Door Mirrored Bathroom Cabinet

## STEP 1

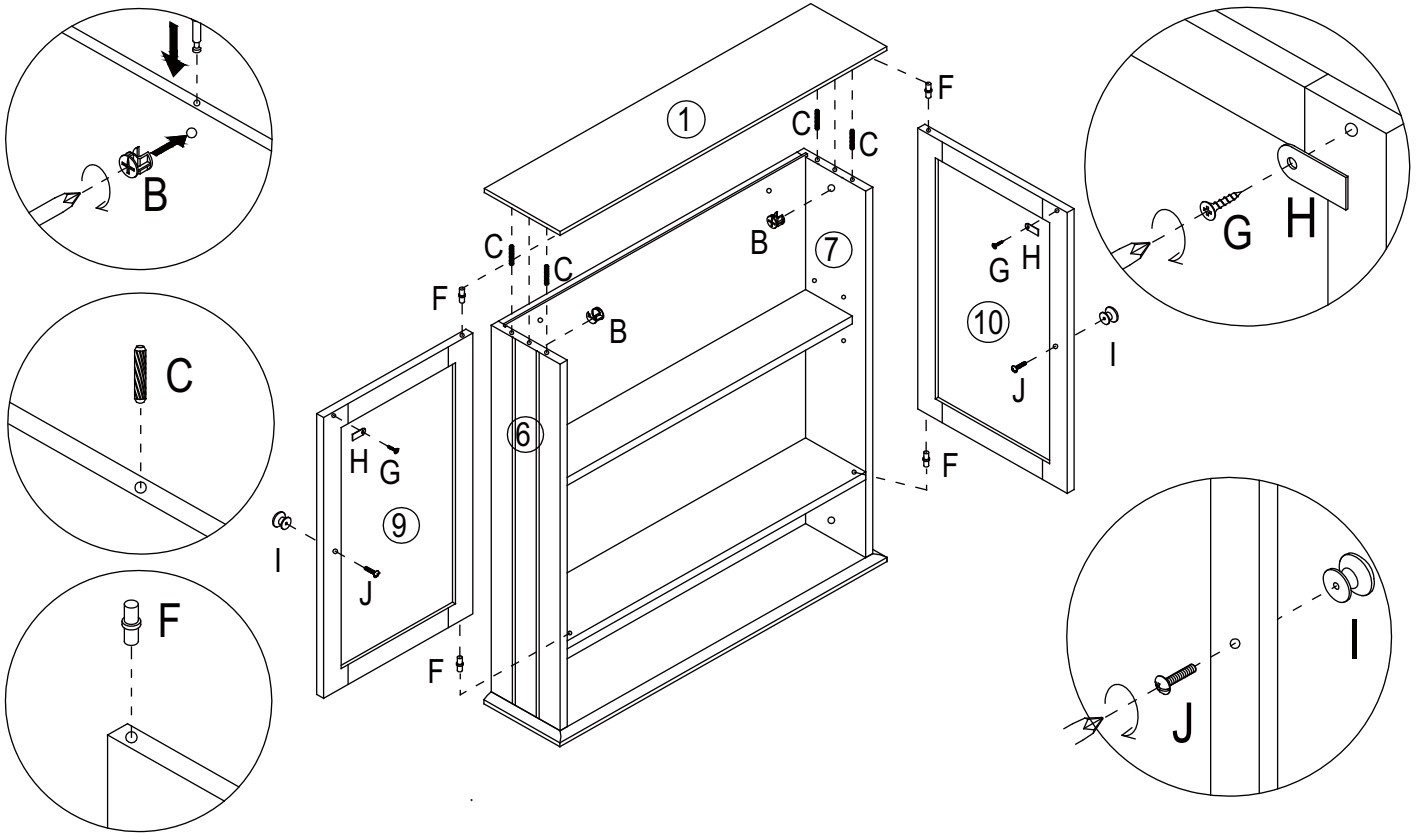


## STEP 2



# Maine Double Door Mirrored Bathroom Cabinet

## STEP 3



## STEP 4

