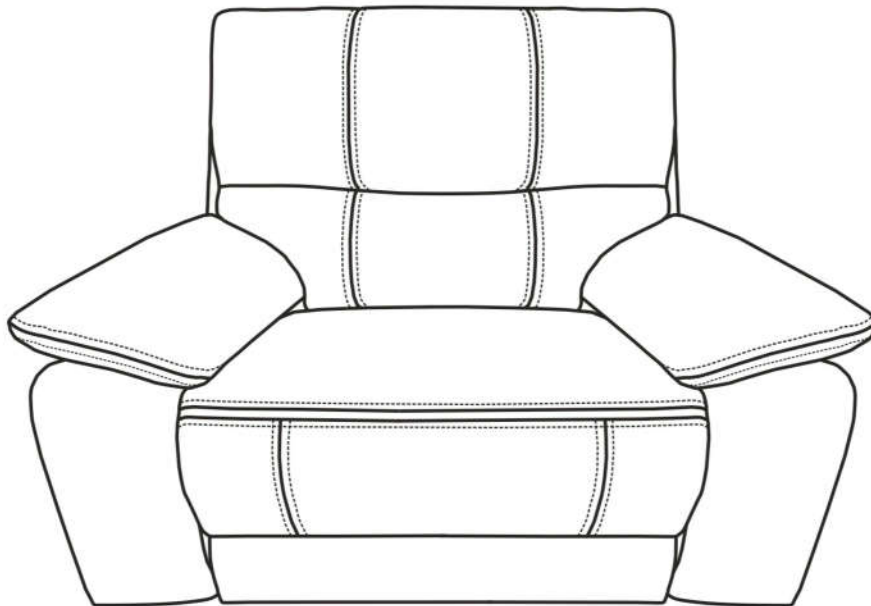




Version 1.0



MORRISON

Recliner 1 STR

www.fantasticfurniture.com.au

Enjoy

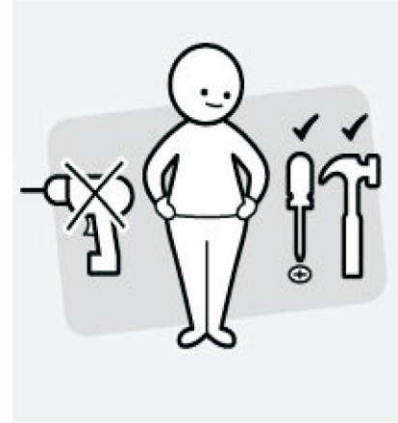
Your purchase from
Australia's Best Value Furniture Store



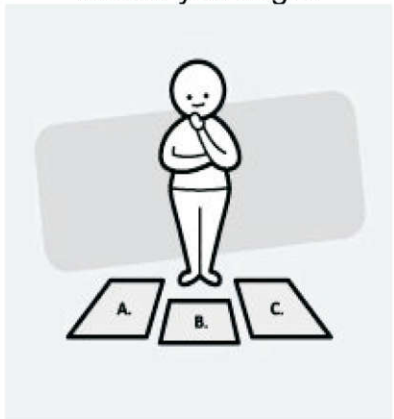
Assembly checklist



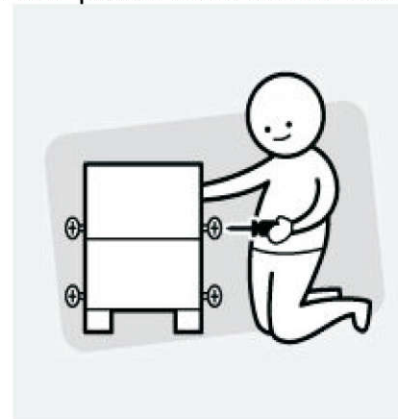
Read through the instructions carefully before you begin.



Make sure you have all the required tools. Never use power tools unless instructed.



Identify and lay out all of the components before you begin assembly.



Unless instructed, do not fully tighten screws until the item is fully assembled.

Useful Information

- ! Never use power tools unless specifically instructed. They can damage your components or hardware if used incorrectly.
- ! The most common mistakes made during assembly are using the wrong hardware or getting components back to front.
- ! Always use a soft surface (such as carpet or cardboard) when assembling your product to avoid scratching or damaging the surface of the product.
- ! Bulky items such as wardrobes and bunk beds should be assembled in the room they will be used in as they may not fit through a door once assembled.
- ! Never use any glue until you are certain that the parts belong together.
- ! Periodically check and re-tighten all fasteners. Check the product care label or website for product care instructions.
- ! If you are having any difficulties assembling your product, missing any hardware or components please visit our website Help Centre for further assistance.



CAUTION: ALWAYS ENSURE YOUR HANDS AND FEET ARE CLEAR OF THE HINGE MECHANISM WHEN IN USE TO AVOID INJURY.

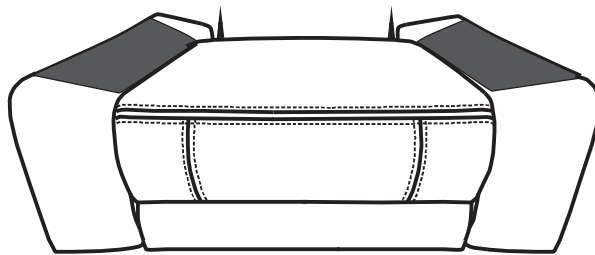
Do not allow children to play or jump on the sofa. Always leave the sofa in an upright and closed position after use. Keep hands and feet clear of the mechanism. Only adults should operate the sofa.

What you need to assemble the product

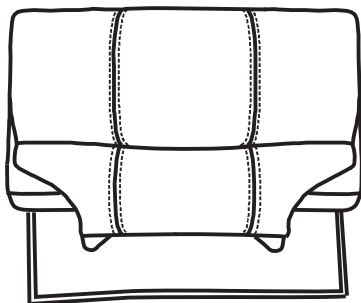
Parts list

- P1: Seat base
- P2: Back
- P3: Left arm
- P4: Right arm

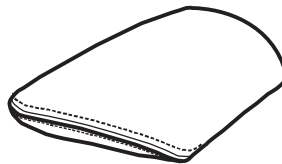
P1



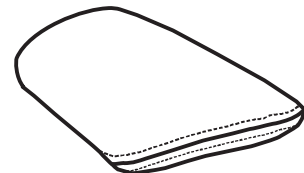
P2



P3

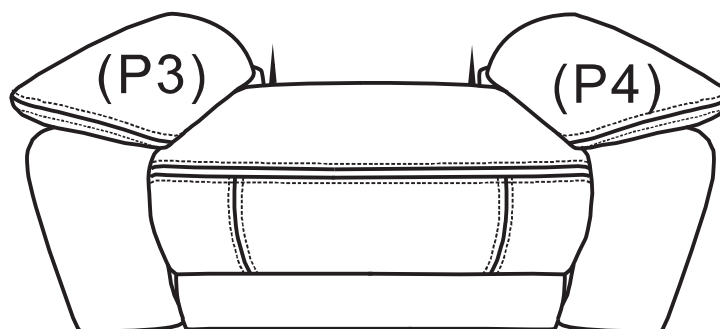
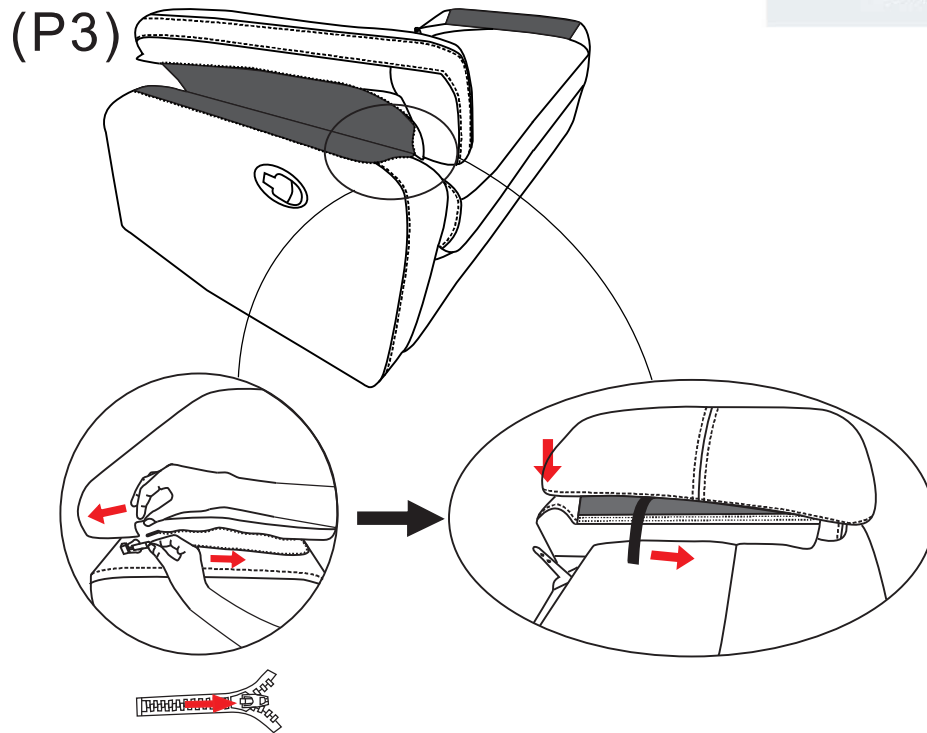


P4



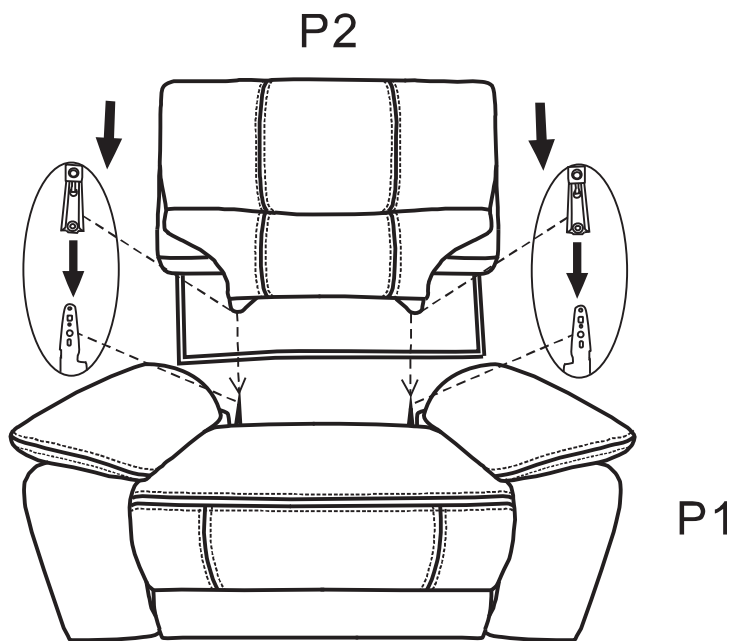
Arms are on the
bottom of mechanism

Step 1



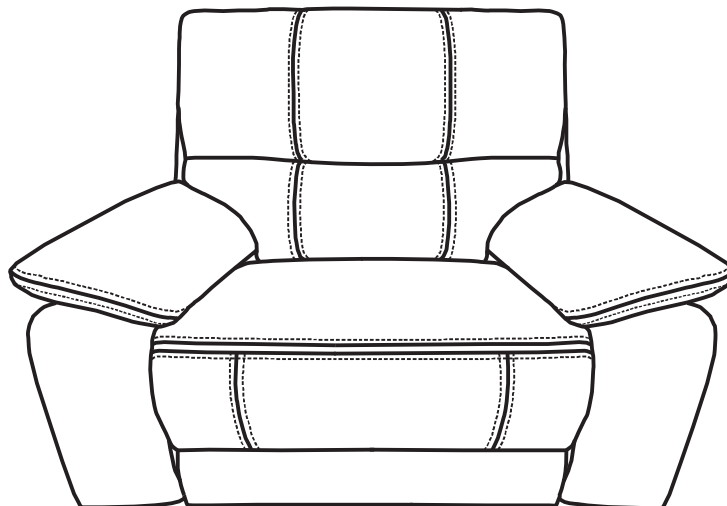
Zip the left arm (P3) to the left side of the seat (P1).
Then peel the velcro cover off and stick the arm down to fix it into position.
Repeat this step for the right arm (P4) to the right side of the seat (P1).

Step 2



Attach the back (P2) to the seat base (P1) as shown. Make sure the clips are well aligned before inserting the back. Ensure the back (P2) is fully slotted on the brackets before use.

Step 3



Job Complete!

In the interest of our environment please dispose of all packaging thoughtfully.