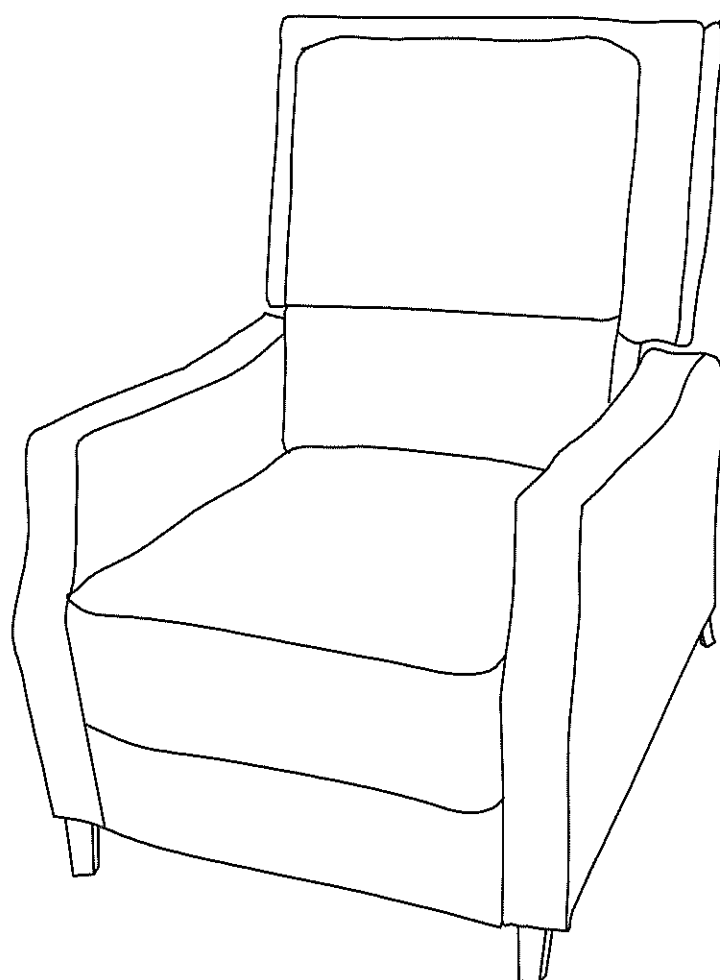




**Fantastic
Furniture**

Version 1.0

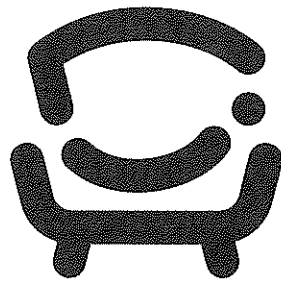


LARSON

Recliner 1 Seater
fantasticfurniture.com.au

Looks like you've found your Fantastic!

We're thrilled you've chosen Fantastic Furniture
to help create a home you'll love!



Fantastic Furniture

Love it? Share it!

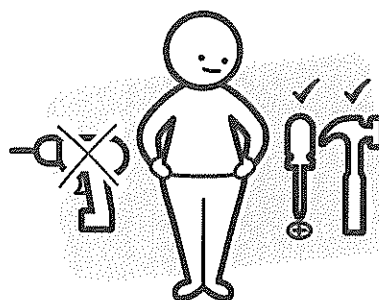
Fantastic buy! Share how it looks at home on Instagram for
your chance to win a \$250 Fantastic Furniture Gift Card!

@fantasticfurniture

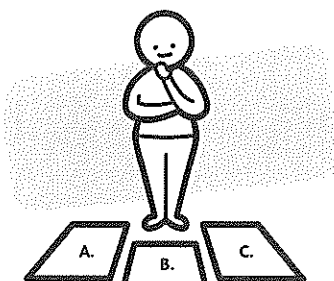
Assembly checklist



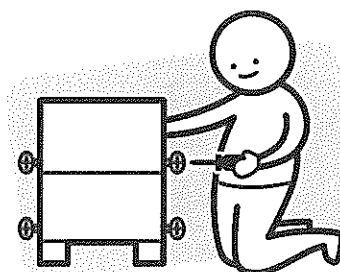
Read through the instructions carefully before you begin.



Make sure you have all the required tools. Never use power tools unless instructed.



Identify and lay out all of the components before you begin assembly.



Unless instructed, do not fully tighten screws until the item is fully assembled.

Useful information

- ! Never use power tools unless specifically instructed. They can damage your components or hardware if used incorrectly.
- ! The most common mistakes made during assembly are using the wrong hardware or getting components back to front.
- ! Always use a soft surface (such as carpet or cardboard) when assembling your product to avoid scratching or damaging the surface of the product.
- ! Bulky items such as wardrobes and bunk beds should be assembled in the room they will be used in as they may not fit through a door once assembled.
- ! Never use any glue until you are certain that the parts belong together.
- ! Periodically check and re-tighten all fasteners. Check the product care label or website for product care instructions.
- ! If you are having any difficulties assembling your product, missing any hardware or components please visit our website Help Centre for further assistance.
- ! Please see page 2 for any safety requirements or weight restrictions.

What you need

to assemble the product



DO NOT USE

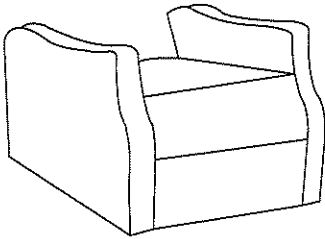
Parts list

Seat (P1)

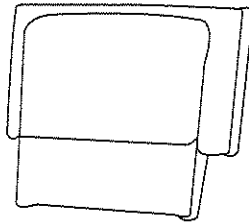
Back (P2)

2 x Front Legs (P3)

2 x Back Legs (P4)



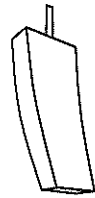
1 x Seat
(P1)



1 x Back
(P2)



2 x Front Legs
(P3)

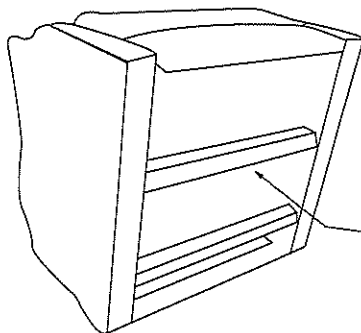


2 x Back Legs
(P4)

Hardware pack



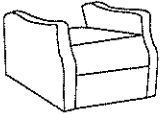



4 x Plastic Washers
(H1)

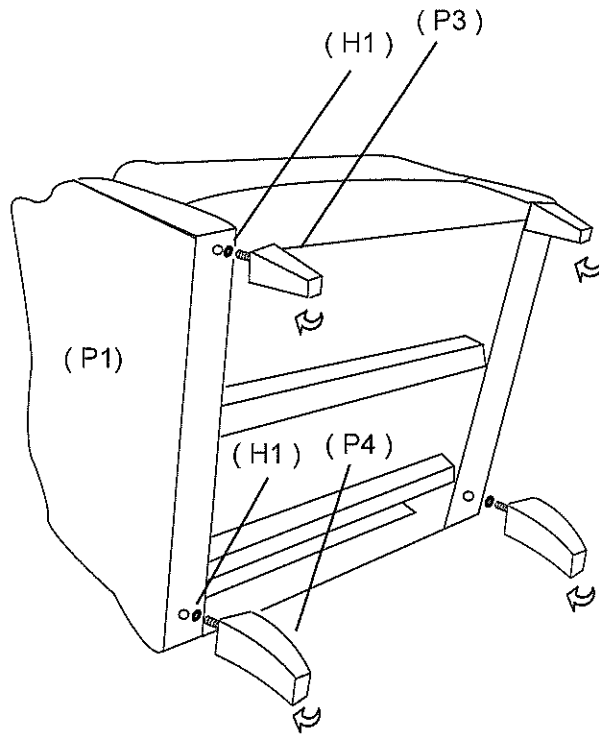


Note: Legs and washers pack inside of seat

Please make sure you have all these parts before you start.

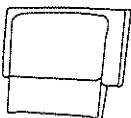
Step 1

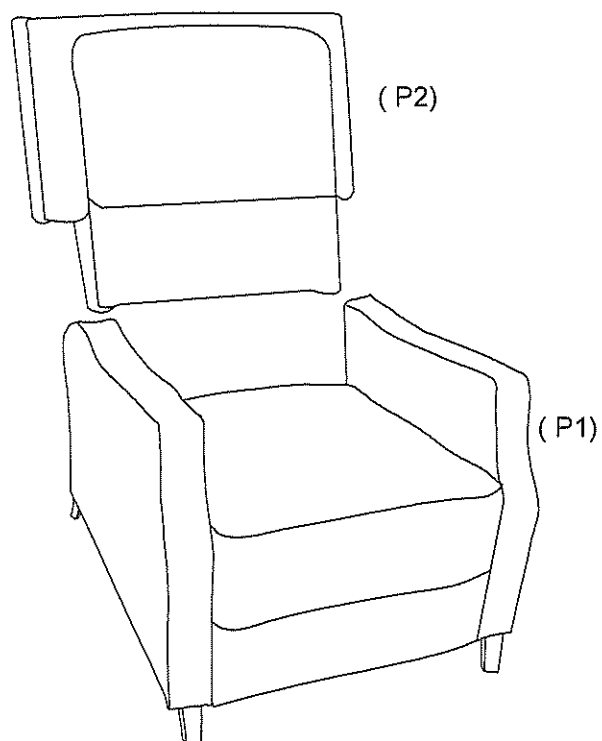
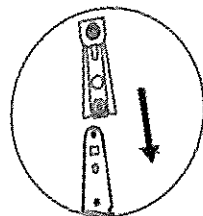
| You will need | |
|---|---|
|  |  |
| 1 x Seat (P1) | 2 x Front Legs (P3) |
|  |  |
| 2 x Back Legs (P4) | 4 x Washers (H1) |



Place the 4 x washers (H1) on the 2 x front legs (P3) and 2 x back legs (P4) as shown. Screw 4 x legs to the bottom of the seat as shown (P1).

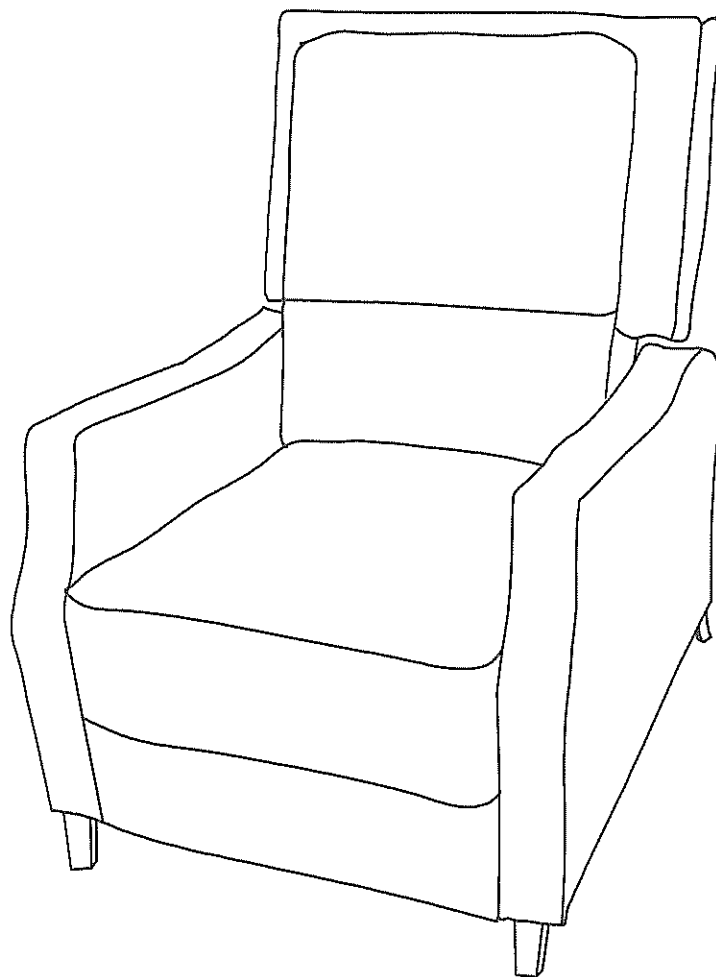
Step 2

| You will need |
|---|
|  |
| 1 x Back (P2) |



Attach the back (P2) to the seat (P1) as shown. Make sure the clips are well aligned before inserting the back. Ensure the back is fully slotted on the brackets before use.

Step 3



Job complete!

In the interest of our environment please dispose
of all packaging thoughtfully.