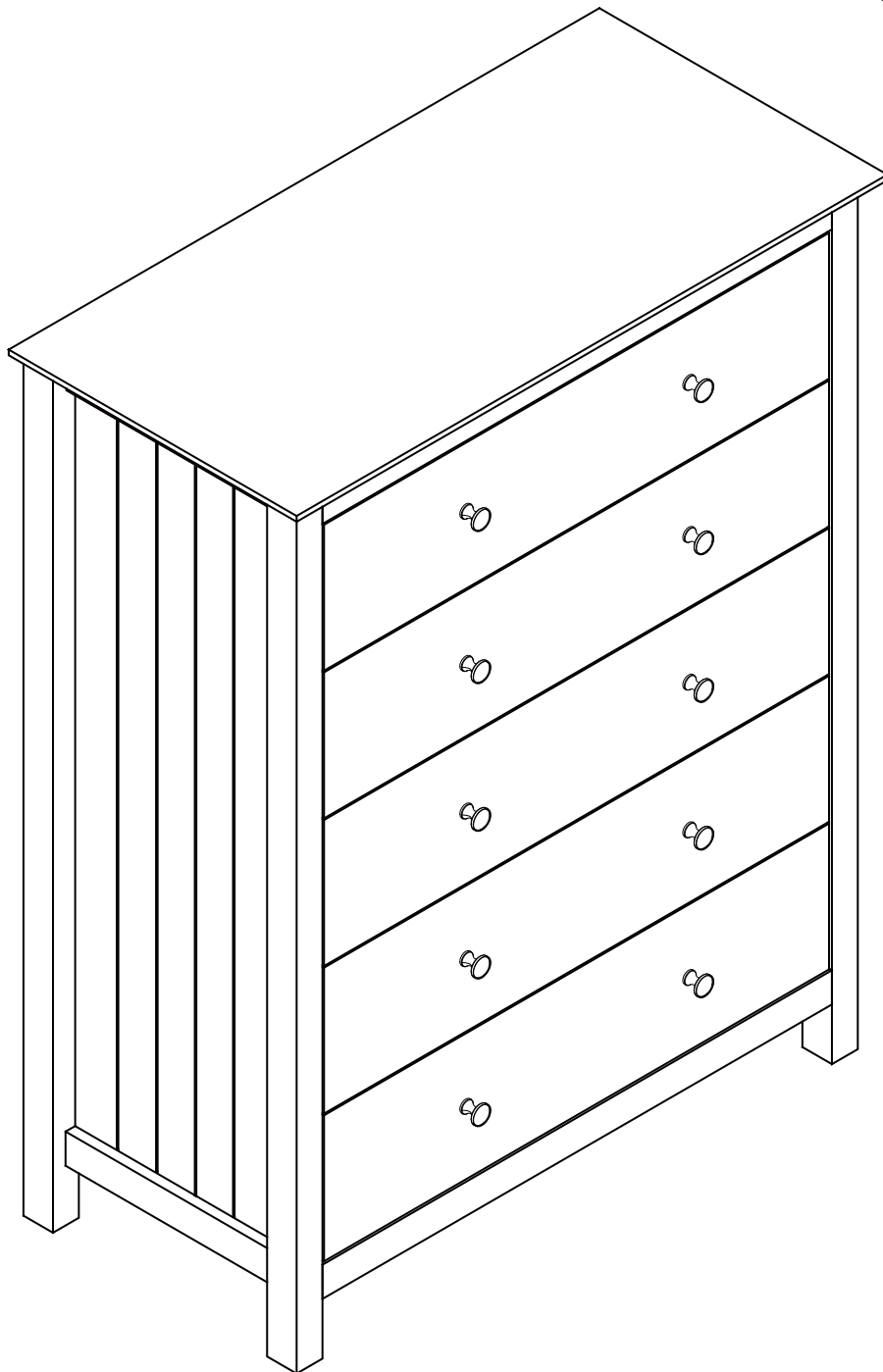




**Fantastic
Furniture**

Version 1.0



Hamilton

Tallboy 5 Drawer

fantasticfurniture.com.au

Recommended weight capacity : 50kgs on top.



**WARNING: ENSURE THE WALL STRAP IS ATTACHED TO
AVOID SERIOUS INJURY.**

To avoid any serious or fatal injury, this product has been supplied with a wall strap to prevent toppling. We strongly recommend that this product is permanently fixed to the wall or other suitable surface. Connecting attachments for your wall are not included since different surface materials require different attachments. Please seek professional advice if you are in doubt of what wall connections to use.

Looks like you've found your Fantastic!

We're thrilled you've chosen Fantastic Furniture
to help create a home you'll love!



Fantastic Furniture

Love it? Share it!

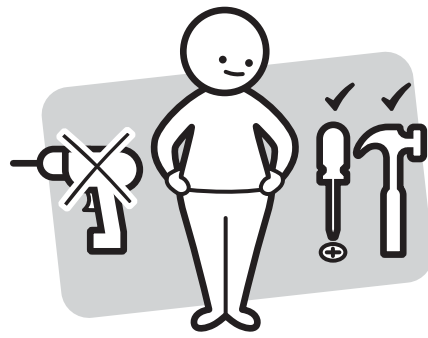
Fantastic buy! Share how it looks at home on Instagram for
your chance to win a \$250 Fantastic Furniture Gift Card!

@fantasticfurniture

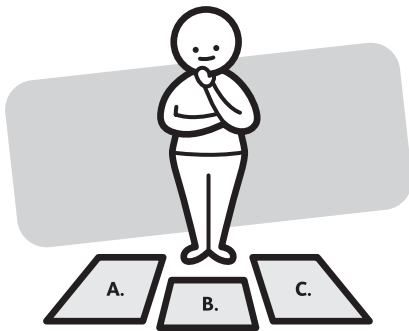
Assembly Checklist



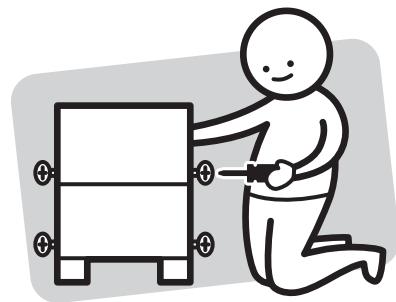
Read through the instructions carefully before you begin.



Make sure you have all the required tools. Never use power tools unless instructed.



Identify and lay out all of the components before you begin assembly.



Unless instructed, do not fully tighten screws until the item is fully assembled.

Useful Information

- ! Never use power tools unless specifically instructed. They can damage your components or hardware if used incorrectly.
- ! The most common mistakes made during assembly are using the wrong hardware or getting components back to front.
- ! Always use a soft surface (such as carpet or cardboard) when assembling your product to avoid scratching or damaging the surface of the product.
- ! Bulky items such as wardrobes and bunk beds should be assembled in the room they will be used in as they may not fit through a door once assembled.
- ! Never use any glue until you are certain that the parts belong together.
- ! Periodically check and re-tighten all fasteners. Check the product care label or website for product care instructions.
- ! If you are having any difficulties assembling your product, missing any hardware or components please visit our website Help Centre for further assistance.
- ! Please see page 2 for any safety requirements or weight restrictions.

What you need

to assemble the product



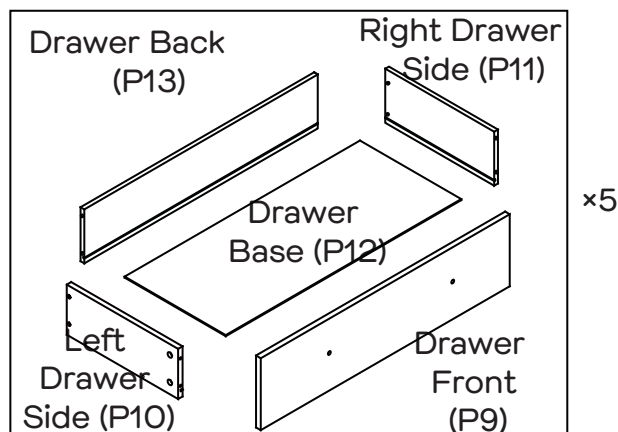
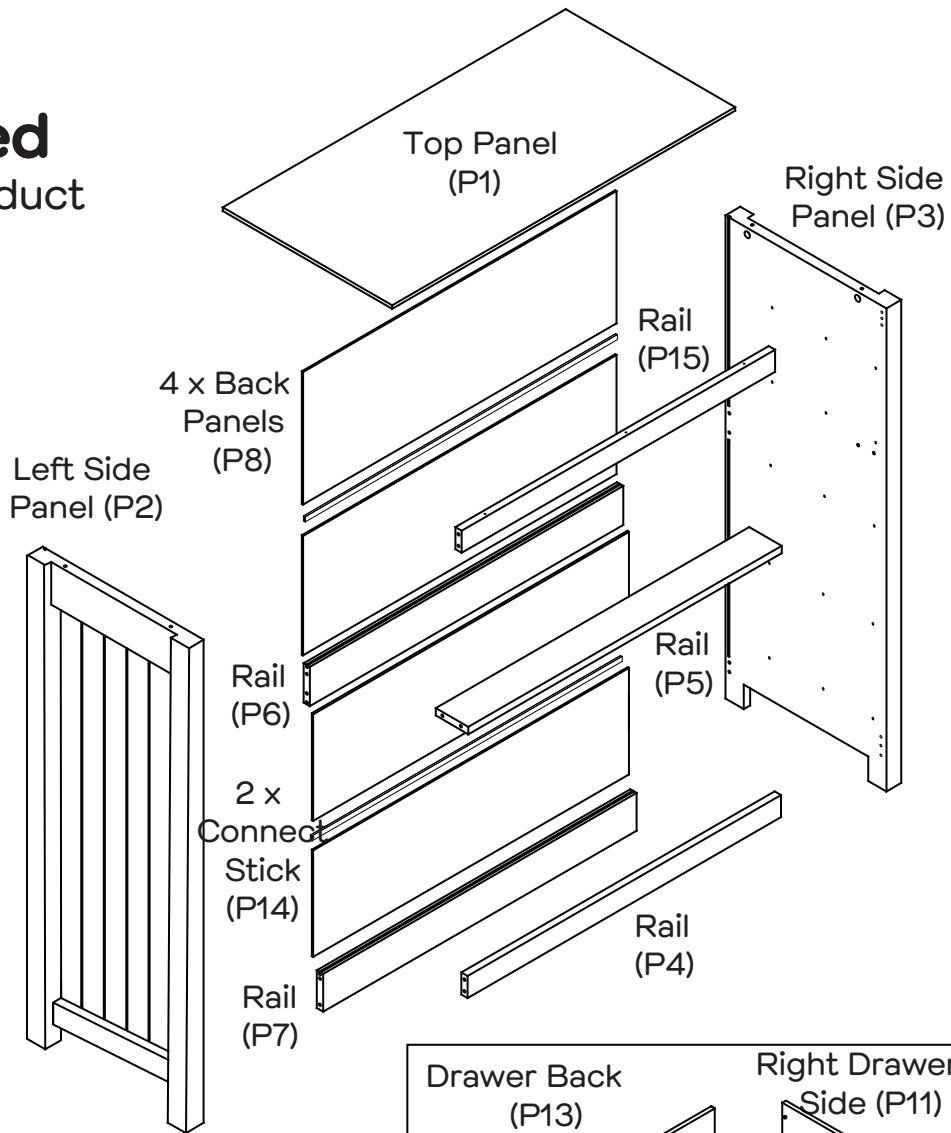
DO NOT USE



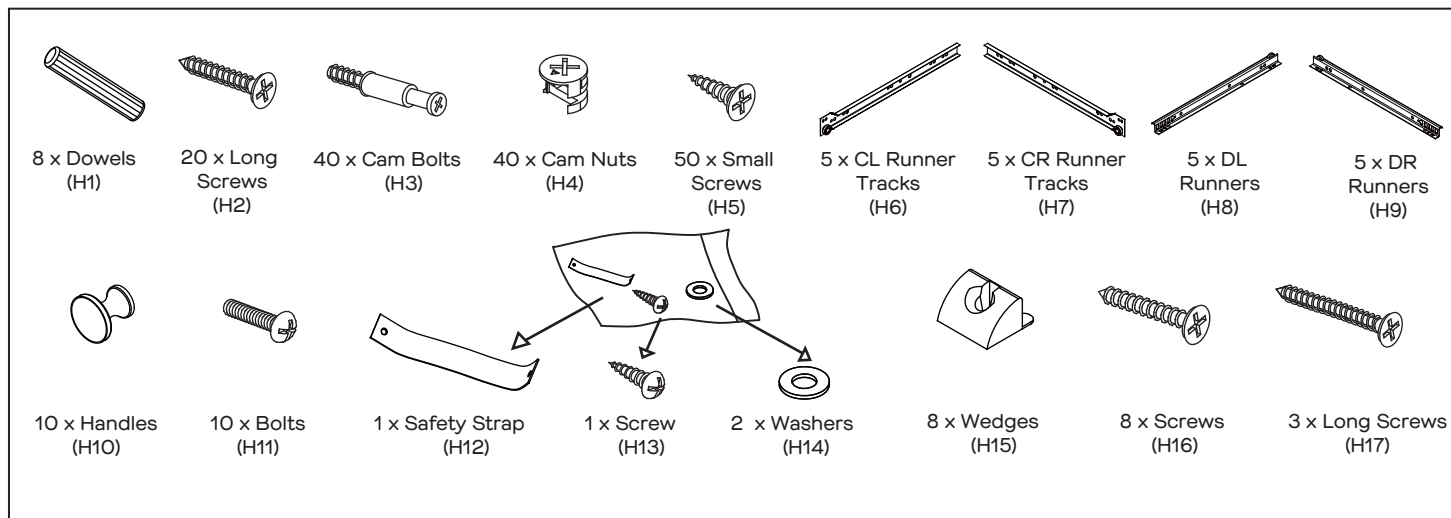
Other tools you need:
Phillips head screwdriver;

Parts list


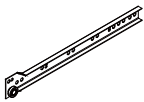
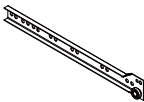

- Top Panel (P1);
- Left Side Panel (P2);
- Right Side Panel (P3);
- Rail (P4);
- Rail (P5);
- Rail (P6);
- Rail (P7);
- 4 x Back Panels (P8);
- 5 x Drawer Fronts (P9);
- 5 x Left Drawer Sides (P10) :
- 5 x Right Drawer Sides (P11);
- 5 x Drawer Bases (P12);
- 5 x Drawer Backs (P13);
- 2 x Connect Sticks (P14);
- Rail (P15)

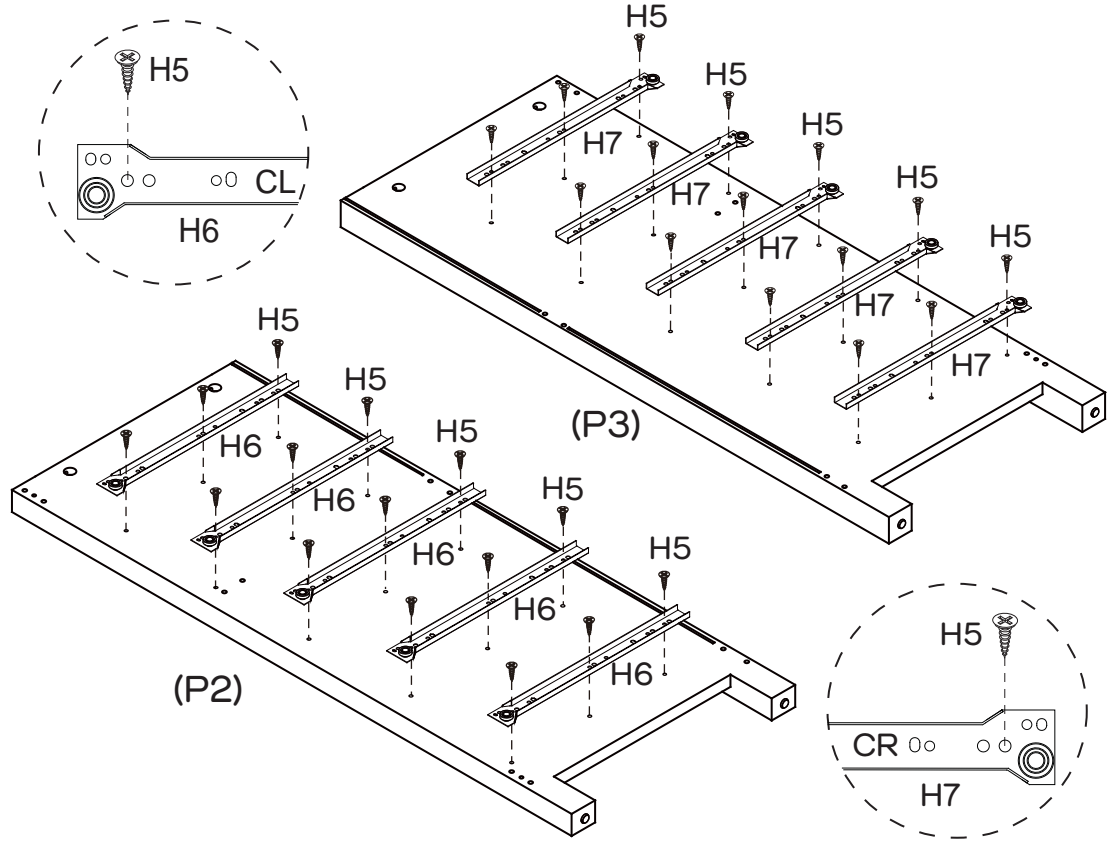


Hardware pack



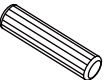
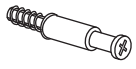

Step 1

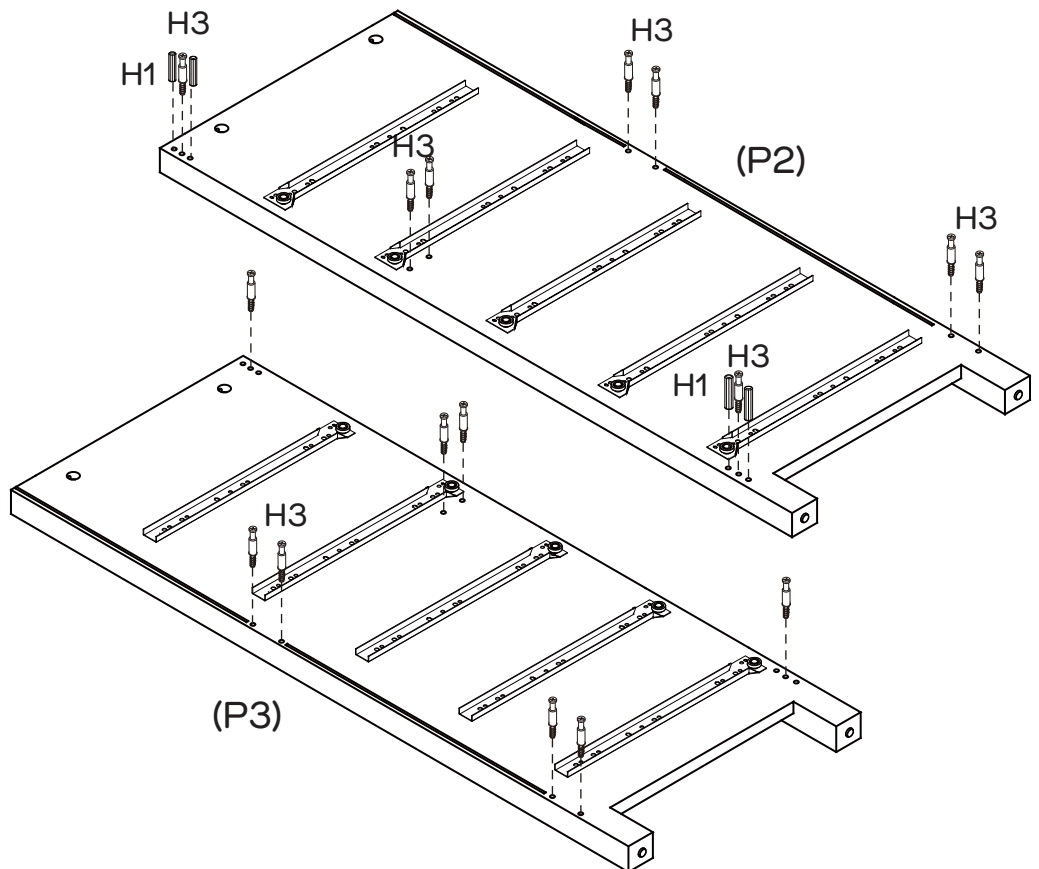
You will need	
	
30 x Small Screws (H5)	5 x CL Runner Tracks (H6)
	
5 x CR Runner Tracks (H7)	Phillips Head Screwdriver



Attach 5x CL Runner Tracks (H6) and 5 x CR Runner Tracks (H7) to Left & Right Side Panels (P2&P3) with 30 x Small Screws (H5) by tightening with the Phillips Head Screwdriver.



Step 2

You will need	
	
4 x Dowels (H1)	16 x Cam Bolts (H3)
	
Phillips Head Screwdriver	

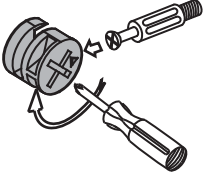


Insert 4x Dowels (H1) into Left (P2) as shown. Attach 16 x Cam Bolts (H3) to Left & Right Side Panels (P2&P3) by tightening with the Phillips Head Screwdriver.

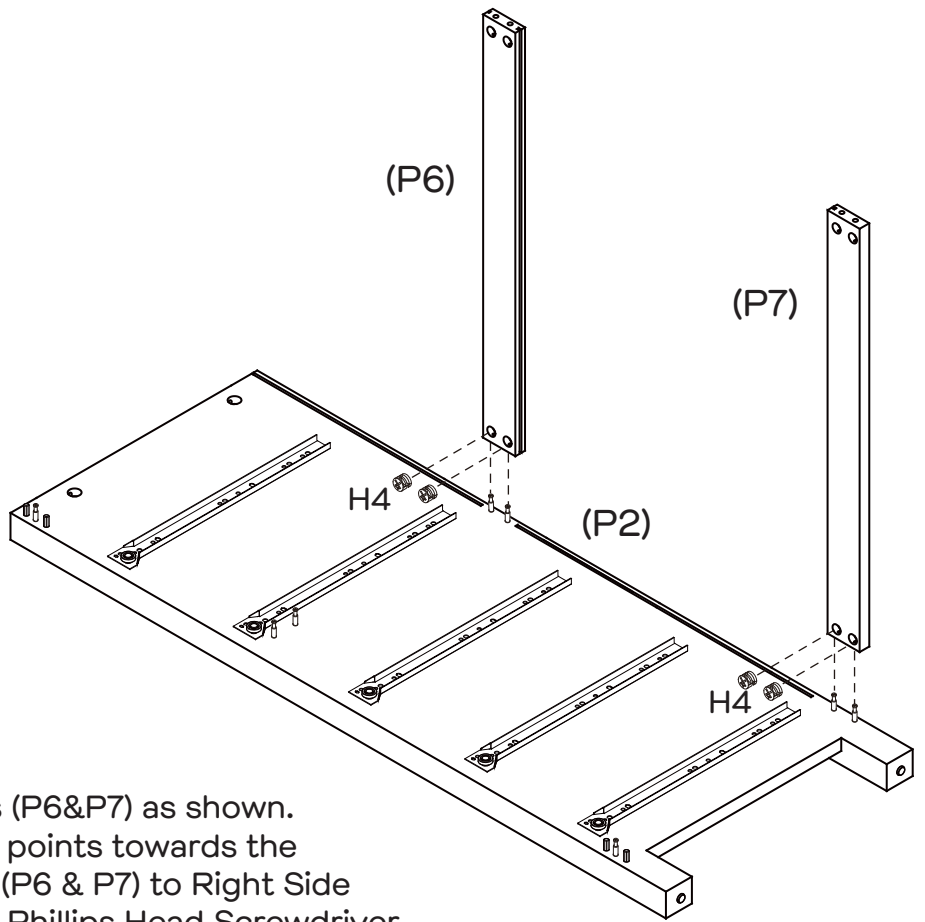
Step 3

You will need	
	
4 x Cam Nuts (H4)	Phillips Head Screwdriver

This is how a cam nut works.....





The head of the cam bolt goes into the open mouth of the cam nut. You then turn the cam nut so it tightens over the bolt.

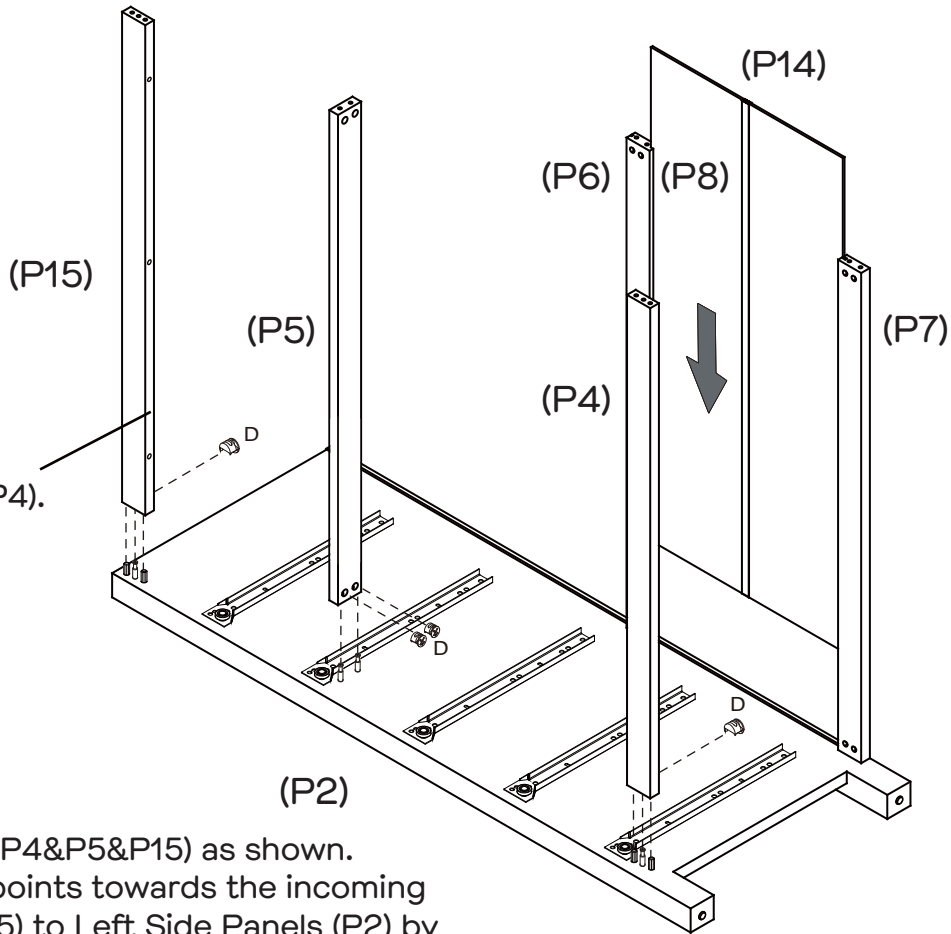


Insert 4x Cam Nuts (H4) into Rails (P6&P7) as shown. Rotate the cam nuts so the arrow points towards the incoming cam bolts. Attach Rails (P6 & P7) to Right Side Panels (P3) by tightening with the Phillips Head Screwdriver.

Step 4

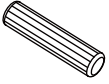


You will need	
	
4 x Cam Nuts (H4)	Phillips Head Screwdriver

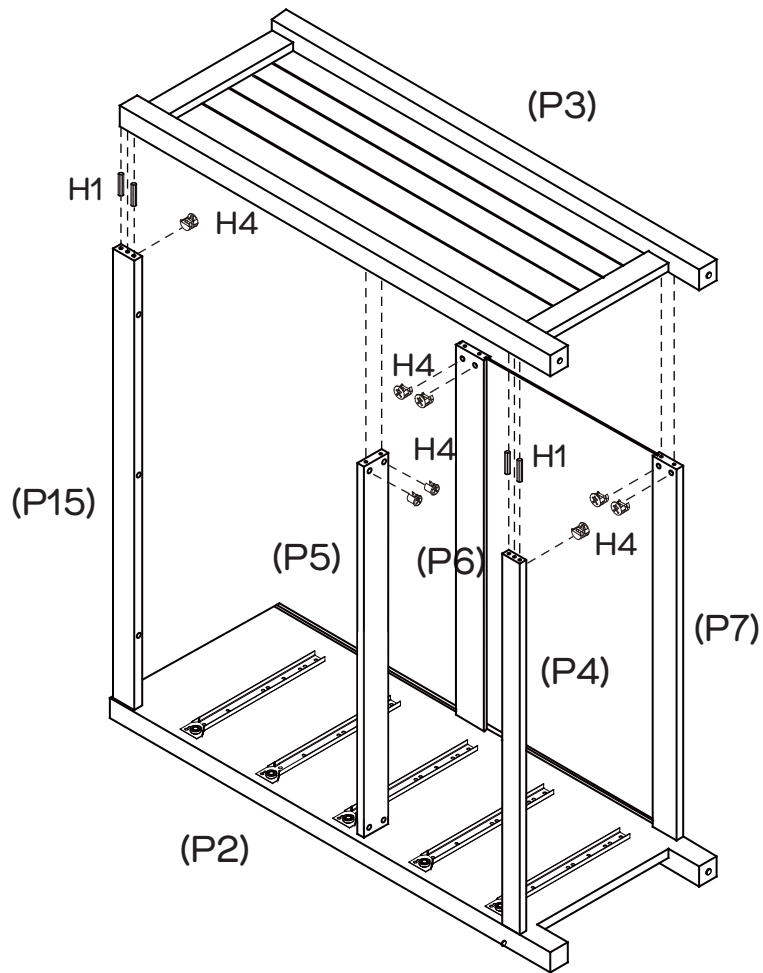
Make sure the side with bigger holes is facing to Rail (P4).



Insert 4x Cam Nuts (H4) into Rails (P4&P5&P15) as shown. Rotate the cam nuts so the arrow points towards the incoming cam bolts. Attach Rails (P4&P5&P15) to Left Side Panels (P2) by tightening with the Phillips Head Screwdriver. Join Back Panels (P8x2) with Connect Stick (P14). Slide Back Panels (P8x2) into the grooves of Rails (P6 & P7).

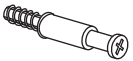

Step 5

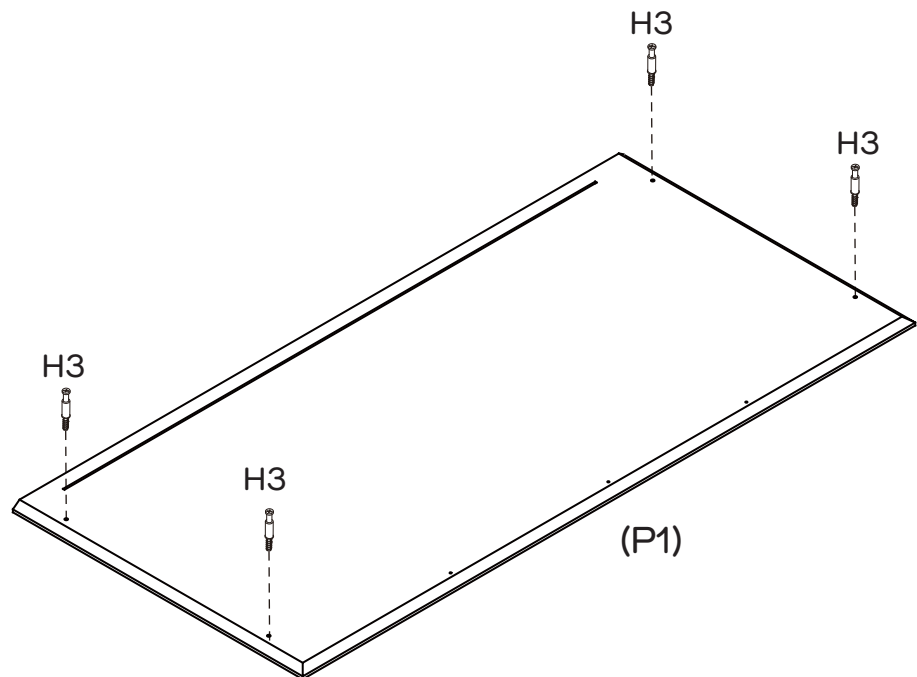
You will need	
	
4 x Dowels (H1)	8 x Cam Nuts (H4)
	
Phillips Head Screwdriver	



Insert 8 x Cam Nuts (H4) into the holes of Rails (P4&P5&P6&P7&P15). Rotate the cam nuts so the arrow points towards the incoming cam bolts. Attach Rails (P4&P5&P6&P7&P15) to Right Side Panels (P3) by tightening with the Phillips Head Screwdriver.



Step 6

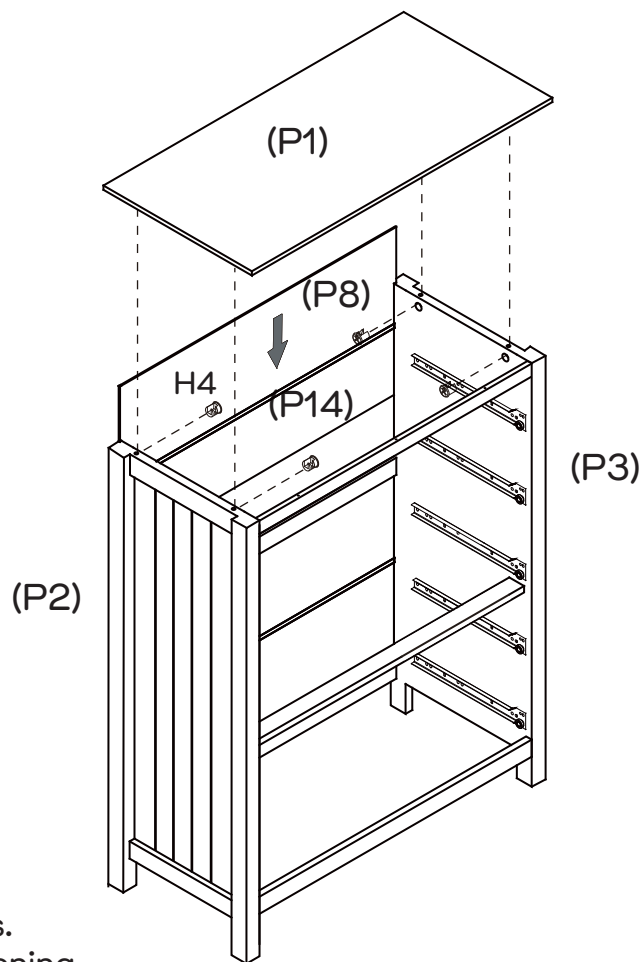
You will need	
	
4 x Cam Bolts (H3)	Phillips Head Screwdriver



Attach 4 x Cam Bolts (H3) to Top Panel (P1) by tightening with the Phillips Head Screwdriver.



Step 7

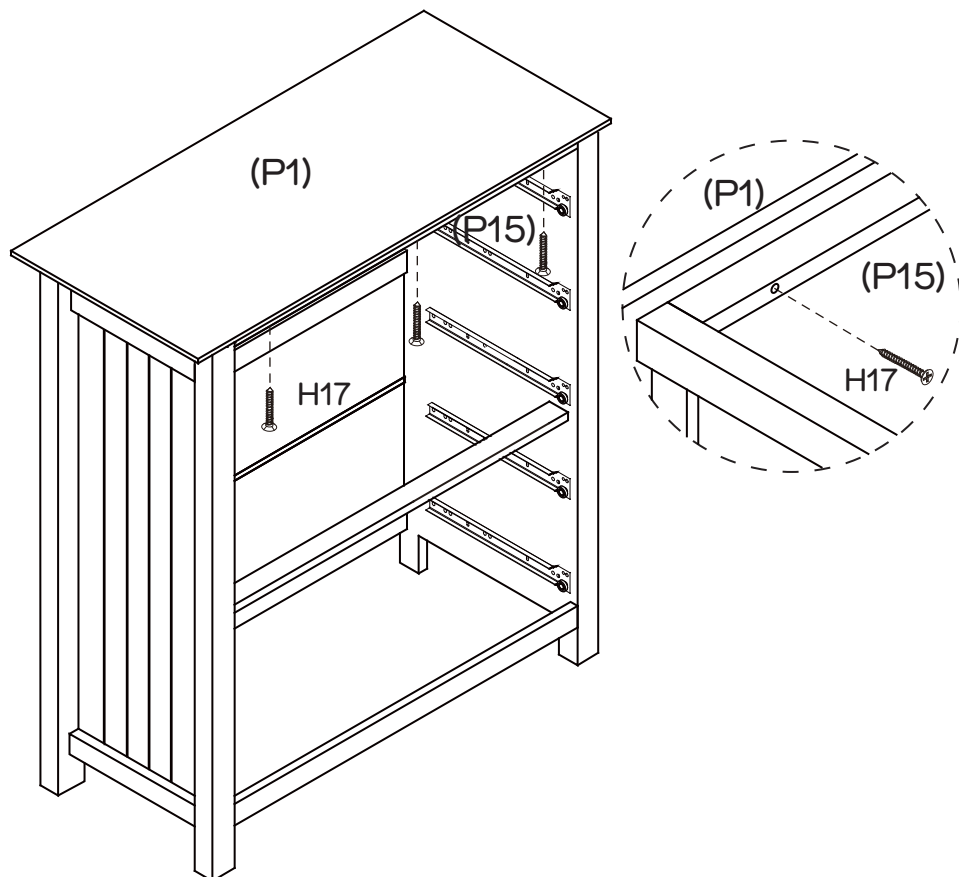
You will need	
	
4 x Cam Nuts (H4)	Phillips Head Screwdriver



Gently stand the unit upright. Join Back Panels (P8x2) with Connect Stick (P14). Slide Back Panels (P8x2) into the grooves of Left & Right Side Panels (P2&P3). Insert 6 x Cam Nuts (H4) into Left & Right Side Panels (P2&P3) as shown. Rotate the cam nuts so the arrows point towards the incoming cam bolts. Attach Top Panel (P1) to unit by tightening cam nuts with the Phillips Head Screwdriver.

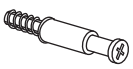

Step 8

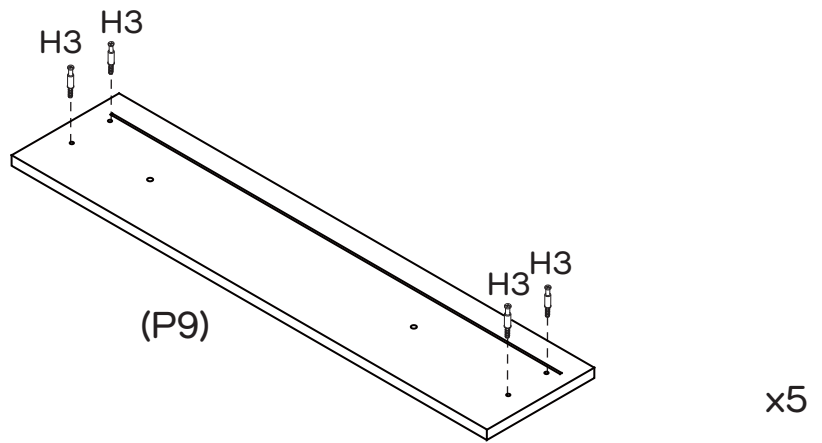
You will need	
	
3 x Long Screws (H17)	Phillips Head Screwdriver



Secure Top Panel (P1) to Rail (P15) with 3 x Long Screws (H17) by tightening with the Phillips Head Screwdriver.

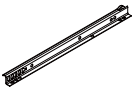
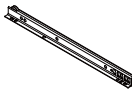


Step 9

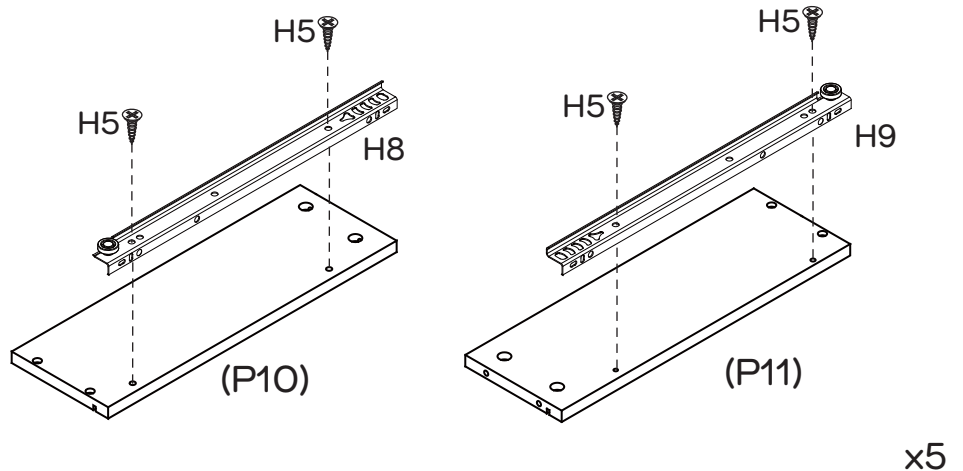
You will need	
	
20 x Cam Bolts (H3)	Phillips Head Screwdriver



Attach 20 x Cam Bolts (H3) to Drawer Fronts (P9x5) by tightening with the Phillips Head Screwdriver.

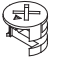

Step 10

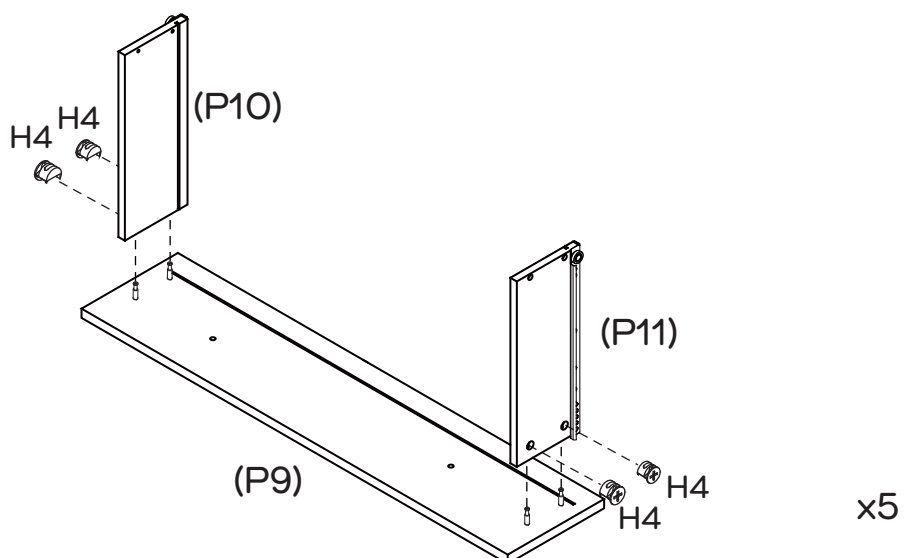
You will need	
	
5 x DL Runners (H8)	5 x DR Runners (H9)
	
20 x Small Screws (H5)	Phillips Head Screwdriver



Attach 5 x DL Runners (H8) to the bottom of Left Drawer Sides (P10x5) and 5 x DR Runners (H9) to the bottom of Right Drawer Sides (P11x5) with 20 x Small Screws (H5) by tightening with the Phillips Head Screwdriver.

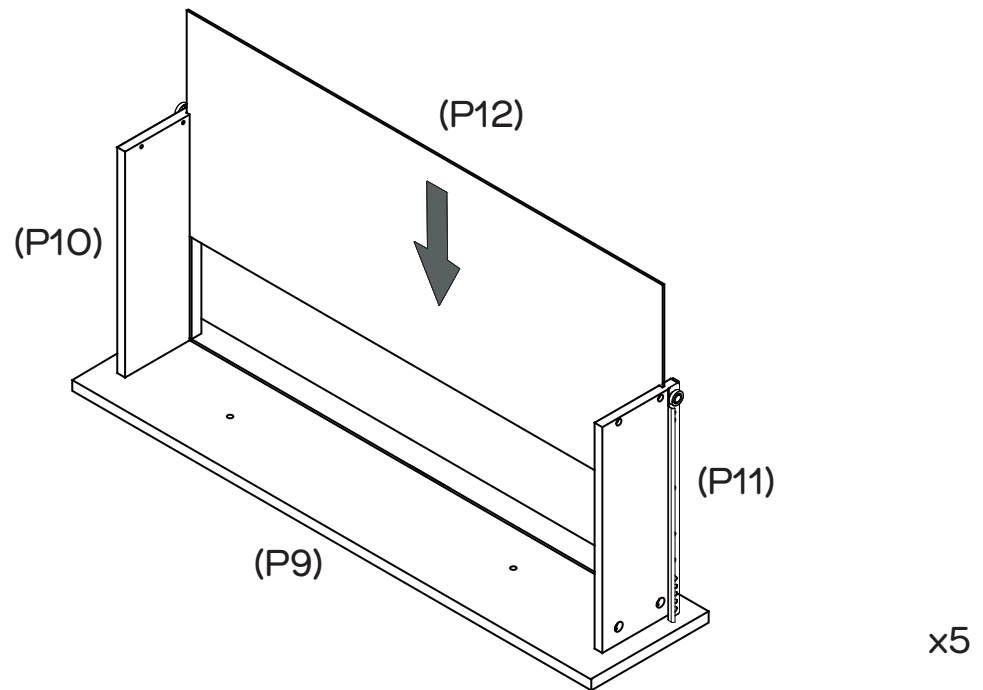
Step 11

You will need	
	
20 x Cam Nuts (H4)	Phillips Head Screwdriver





Insert 20 x Cam Nuts (H4) into Left & Right Drawer Sides (P10x5&P11x5) as shown. Rotate the cam nuts so the arrows point towards the incoming cam bolts. Attach Left & Right Drawer Sides (P10x5&P11x5) to Drawer Fronts (P9x5) by tightening the cam nuts with the Phillips Head Screwdriver.

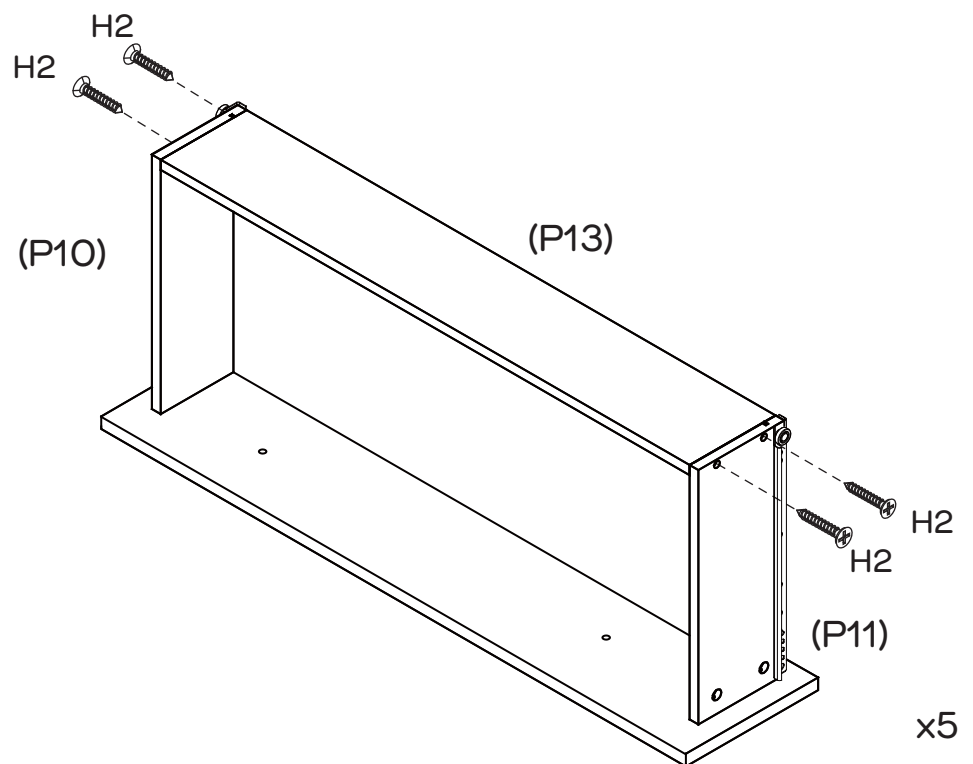
Step 12



Slide Drawer Bases (P12x5) into the grooves of Left & Right Drawer Sides (P10x5&P11x5).




Step 13

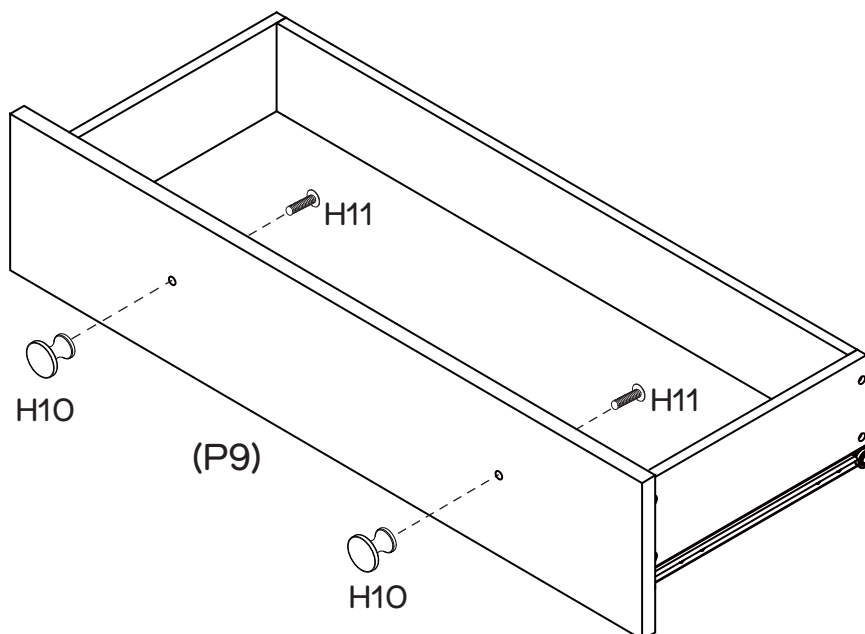
You will need	
	
20 x Long Screws (H2)	Phillips Head Screwdriver



Attach Drawer Backs (P13x5) to Left & Right Drawer Sides (P10x5&P11x5) with 20 x Long Screws (H2) by tightening with the Phillips Head Screwdriver. Ensure the Drawer Base lines up with the grooves the whole way around the drawer before securing.

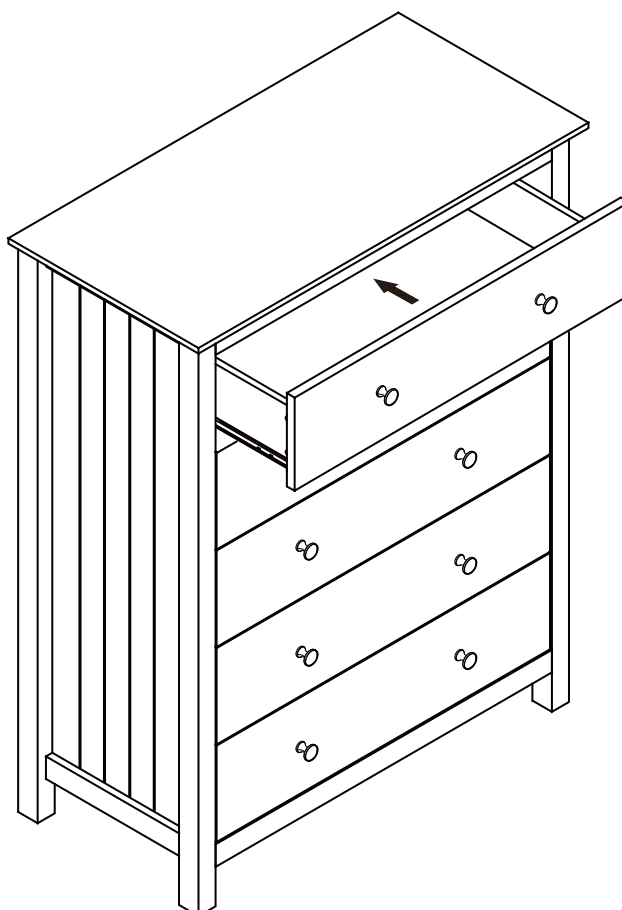
Step 14

You will need	
	
10 x Handle Bolts (H11)	10 x Handles (H10)
	
Phillips Head Screwdriver	



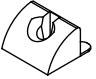

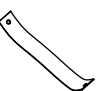
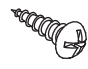


Attach 10 x Handles (H10) to Drawer Fronts (P9x5) with 10 x Handle Bolts (H11) by tightening with the Phillips Head Screwdriver.

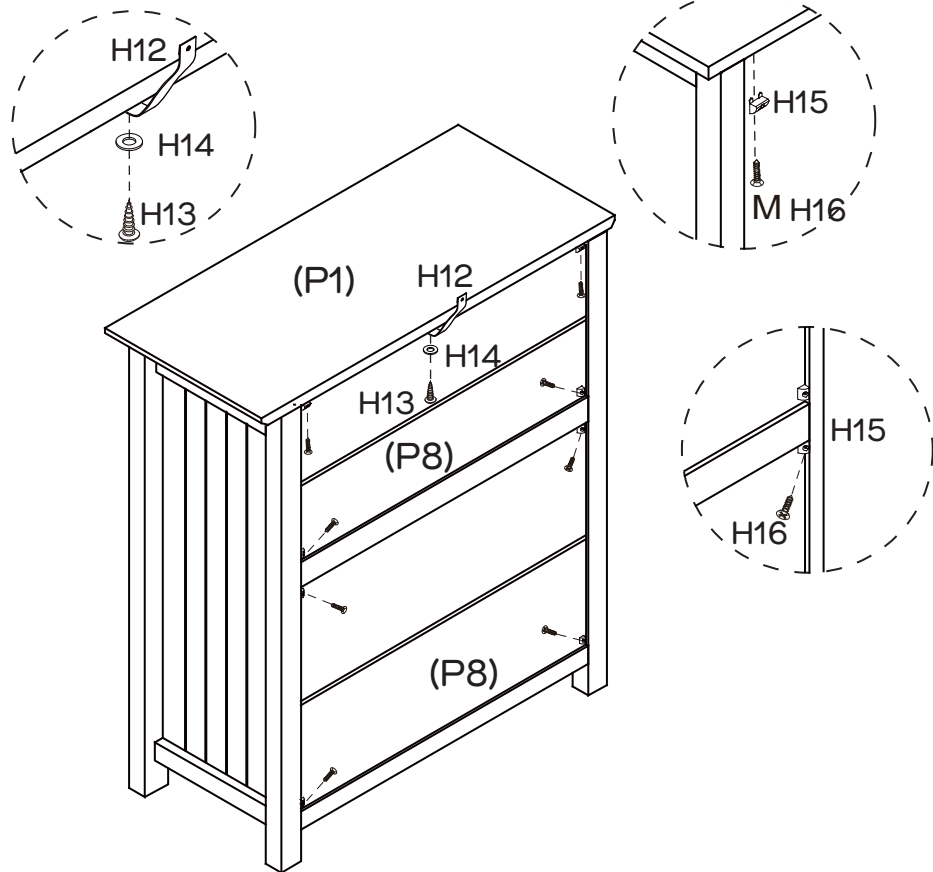
Step 15



Carefully insert the drawers into the tallboy by gently guiding the runners into the tracks.



Step 16

You will need	
	
8 x Wedges (H15)	8 x Wedge Screws (H16)
	
1 x Safety Strap (H12)	1 x Safety Strap Screw (H13)
	
1 x Washer (H14)	Phillips Head Screwdriver

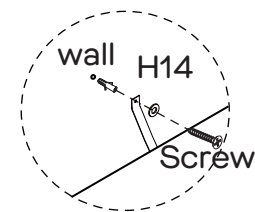
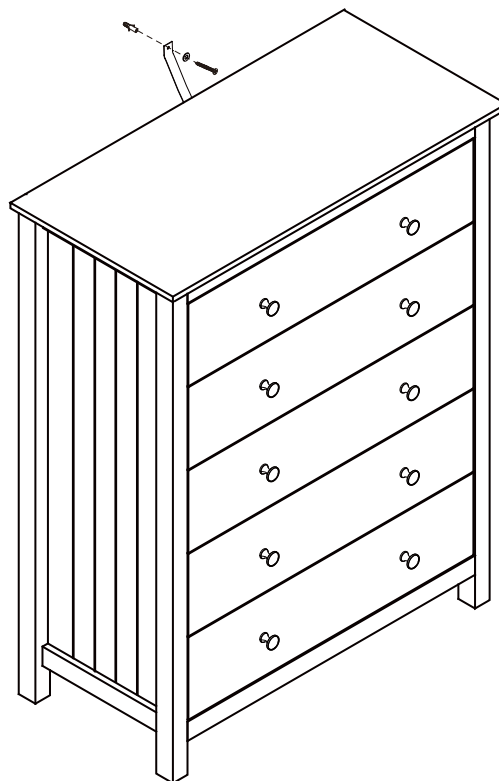


Secure Back Panels (P8 x 4) in place with 8 x Wedges (H15) using 8 x Wedge Screws (H16) by tightening with the Phillips Head Screwdriver. Use 1 x Safety Screw (H13) and 1 x Washer (H14) to connect 1 x Safety Strap (H12) on Top Panel (P1).

Step 17

You will need	
	
1 x Washer (H14)	Phillips Head Screwdriver
Screw and Wall Plug are not provided. Please use appropriate fixtures for your wall.	

Move the dresser to the final position, and attach the safety strap to the wall securely. Make sure it is firmly attached and snug fit.



Seek advice from a qualified trades person on how to attach this safety strap to your specific wall.

Job Complete!

In the interest of our environment please dispose of all packaging thoughtfully.