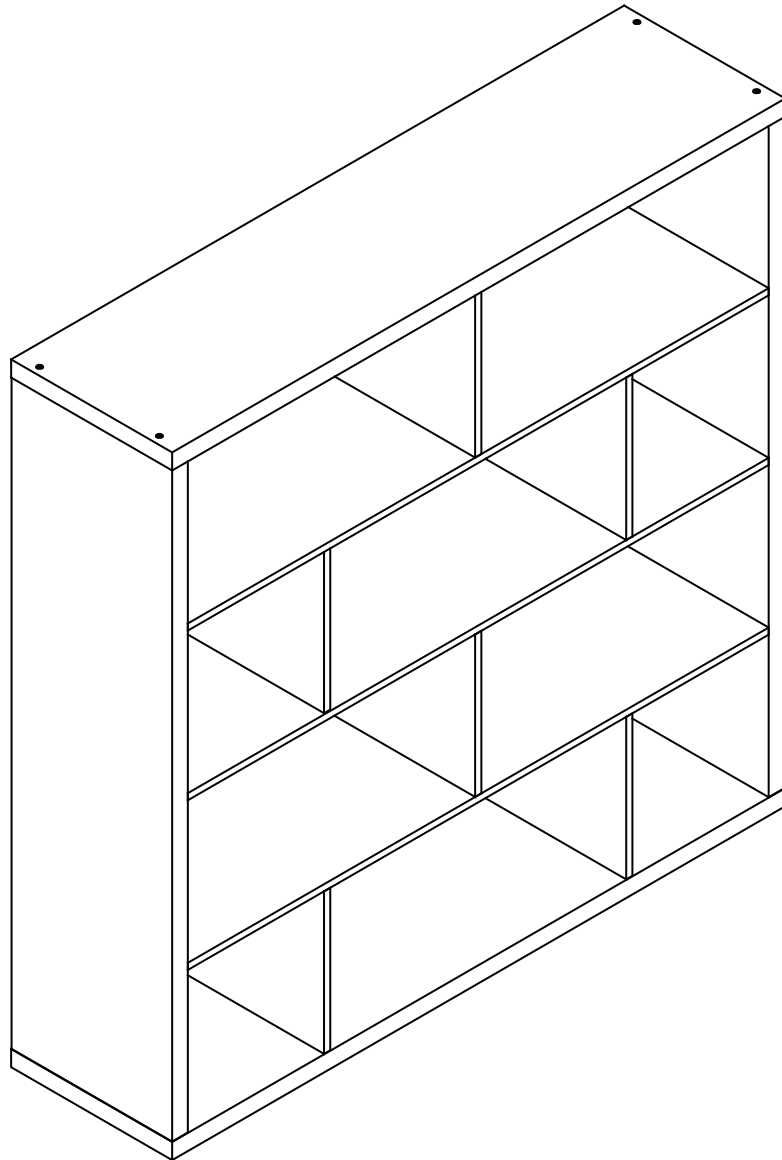
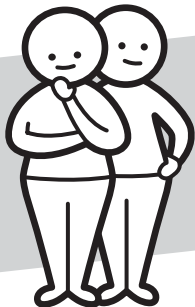




Version 1.1



TWO PEOPLE



REQUIRED

CODA

BOOKCASE 10 SHELF

www.fantasticfurniture.com.au

Enjoy

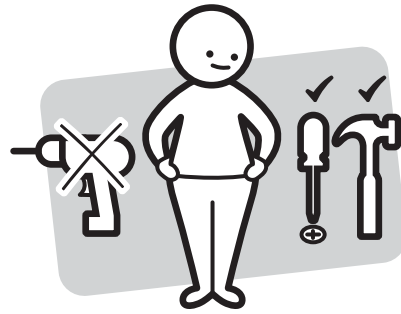
Your purchase from
Australia's Best Value Furniture Store



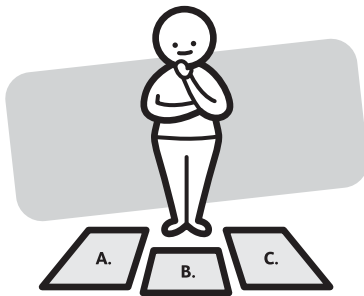
Assembly checklist



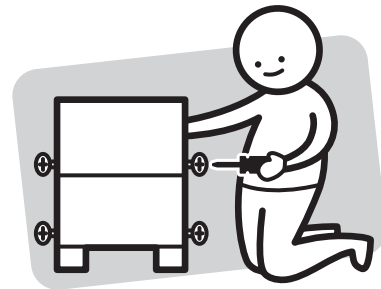
Read through the instructions carefully before you begin.



Make sure you have all the required tools. Never use power tools unless instructed.



Identify and lay out all of the components before you begin assembly.



Unless instructed, do not fully tighten screws until the item is fully assembled.

Useful Information

- ! Never use power tools unless specifically instructed. They can damage your components or hardware if used incorrectly.
- ! The most common mistakes made during assembly are using the wrong hardware or getting components back to front.
- ! Always use a soft surface (such as carpet or cardboard) when assembling your product to avoid scratching or damaging the surface of the product.
- ! Bulky items such as wardrobes and bunk beds should be assembled in the room they will be used in as they may not fit through a door once assembled.
- ! Never use any glue until you are certain that the parts belong together.
- ! Periodically check and re-tighten all fasteners. Check the product care label or website for product care instructions.
- ! If you are having any difficulties assembling your product, missing any hardware or components please visit our website Help Centre for further assistance.

What you need to assemble the product



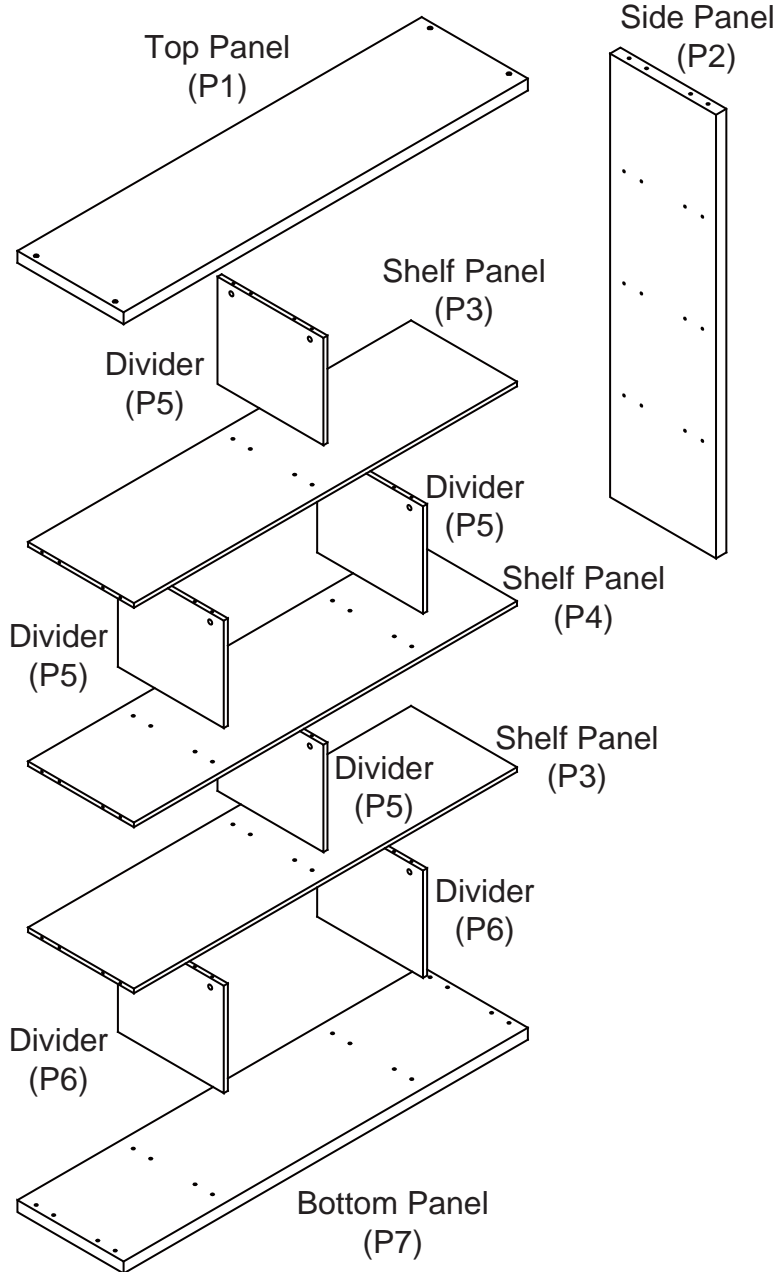
DO NOT USE



Additional Tools Required

Flat head screwdriver;
Phillips head screwdriver;
Hammer

Side Panel
(P2)



Parts list

Box 1: Top Panel (P1);

4 x Dividers (P5);

2 x Dividers (P6);

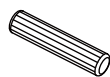
Bottom Panel (P7);

Box 2: 2 x Side Panels (P2);

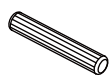
2 x Shelf Panels (P3);

Shelf Panel (P4);

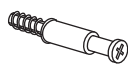
Hardware Pack



8 x Dowels
(H1)



36 x Small
Dowels
(H2)



24 x Cam Bolts
(H3)



24 x Cam Nuts
(H4)



8 x Long
Screws
(H5)



12 x Inside
Hexagonal Bolts
(H6)



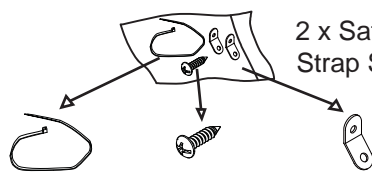
1 x Allen Key
(H7)



16 x Covers
(H8)



8 x Plastic
Glides
(H9)



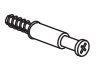

2 x Safety
Strap Sets

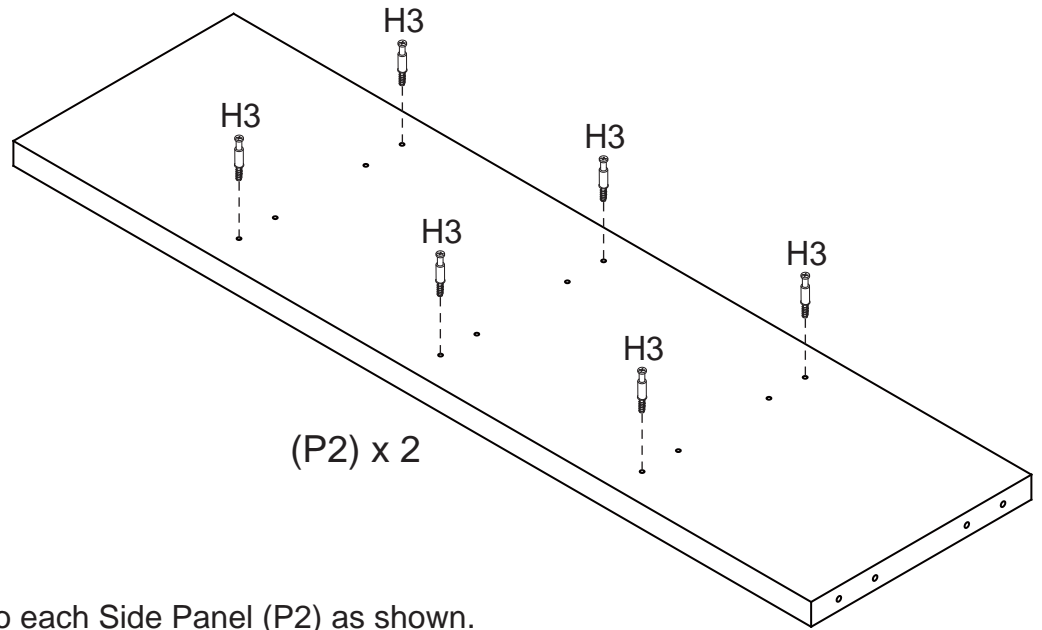
2 x Restraint
Straps
(H10)

2 x Screws
(H11)

4 x Brackets
(H12)



Step 1

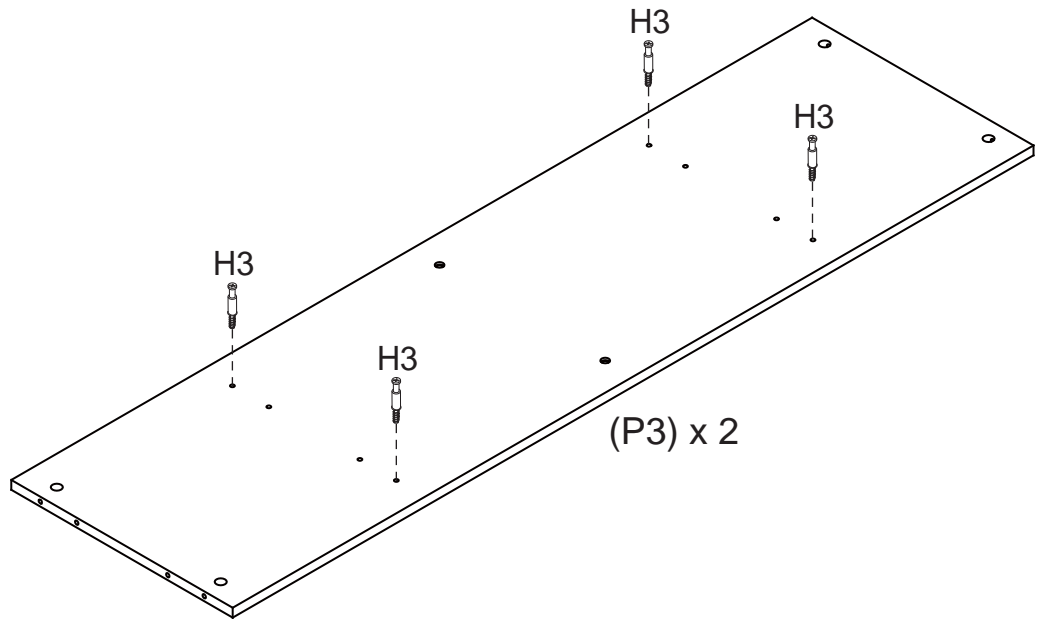
You will need	
	
12 x Cam Bolts (H3)	Phillips head screwdriver



Attach 6 x Cam Bolts (H3) into each Side Panel (P2) as shown.



Step 2

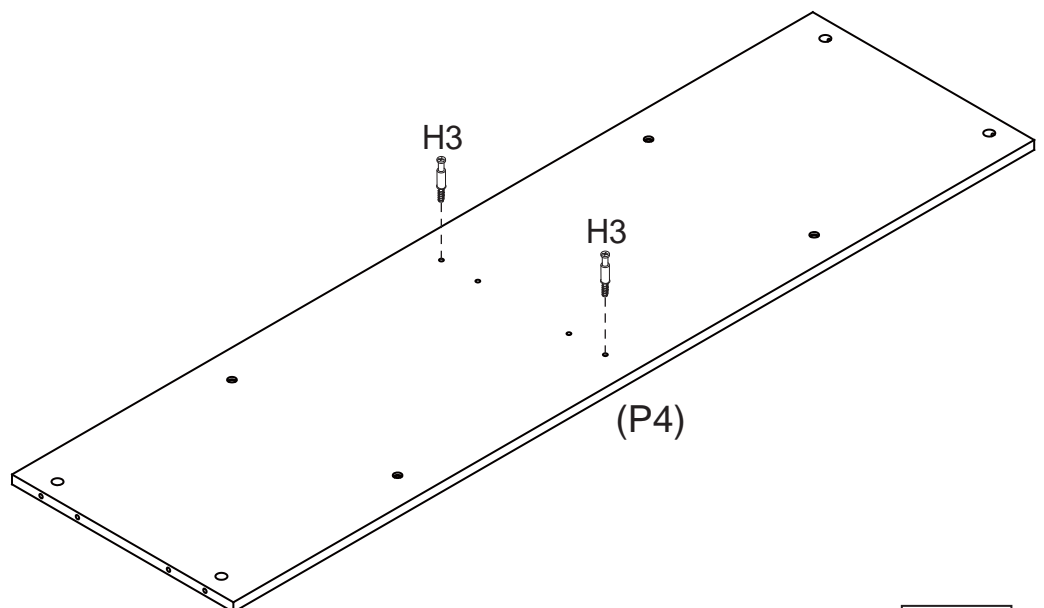
You will need	
	
8 x Cam Bolts (H3)	Phillips head screwdriver



Attach 4 x Cam Bolts (H3) into each Shelf Panel (P3) as shown.

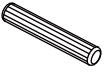


Step 3

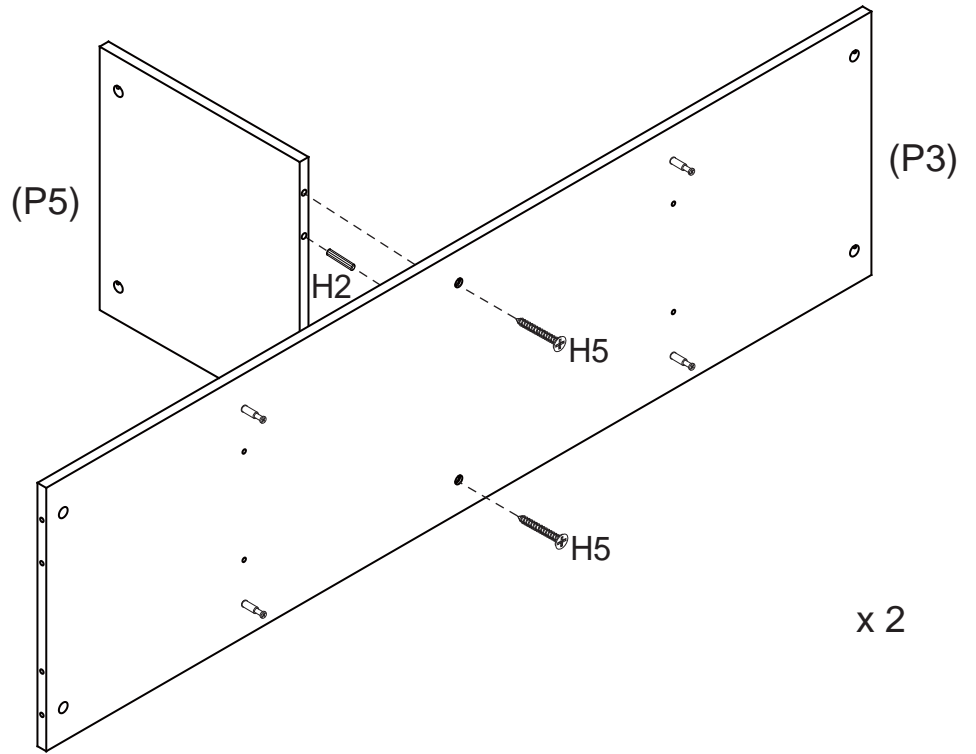
You will need	
	
2 x Cam Bolts (H3)	Phillips head screwdriver



Attach 2 x Cam Bolts (H3) into Shelf Panel (P4) as shown.




Step 4

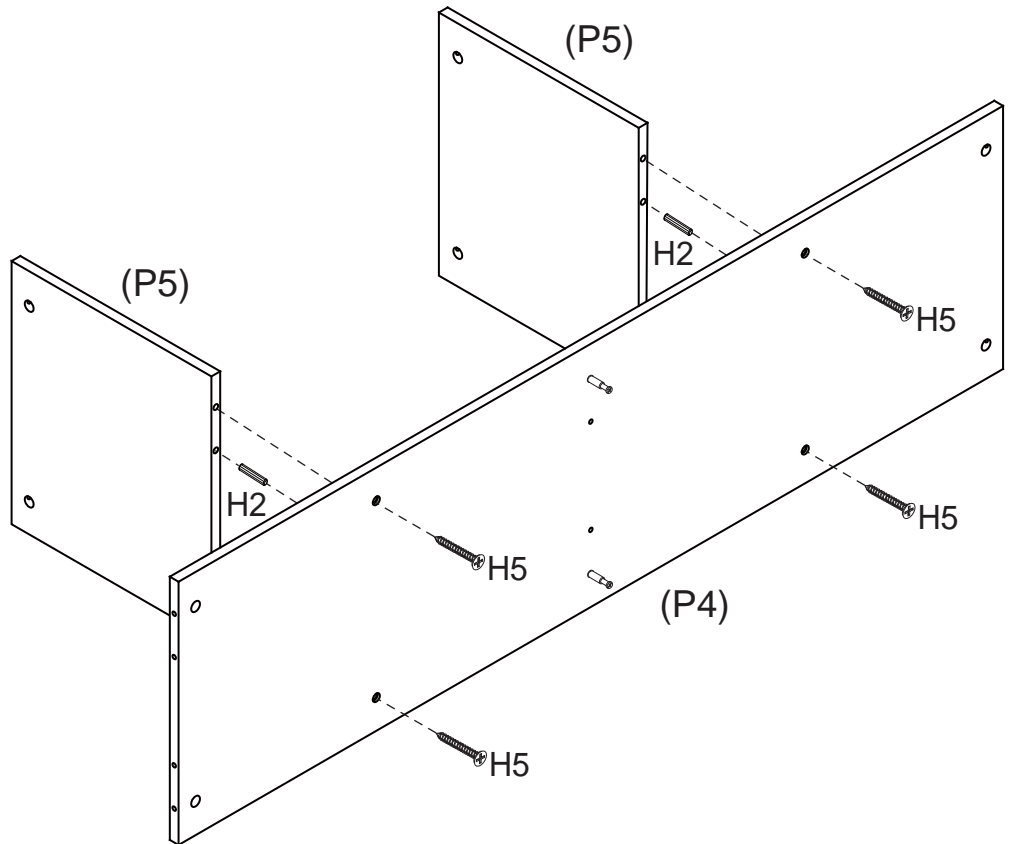
You will need	
	
4 x Small Dowels (H2)	4 x Long Screws (H5)
	
Phillips head screwdriver	



Insert 2 x Small Dowels (H2) into the holes of Divider (P5) as shown. Attach Shelf Panel (P3) to Divider (P5) with 2 x Long Screws (H5). Tighten the screws with a Phillips head screwdriver. **Repeat Step 4 for the other Divider (P5) and Shelf Panel (P3).**





Step 5

You will need	
	
4 x Small Dowels (H2)	4 x Long Screws (H5)
	
Phillips head screwdriver	

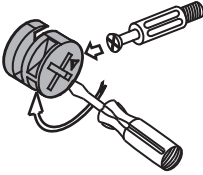


Insert 4 x Small Dowels (H2) into the holes of Shelf Panel (P4) as shown. Attach Dividers (P5) to Shelf Panel (P4) with 4 x Long Screws (H5). Tighten the screws with a Phillips head screwdriver.

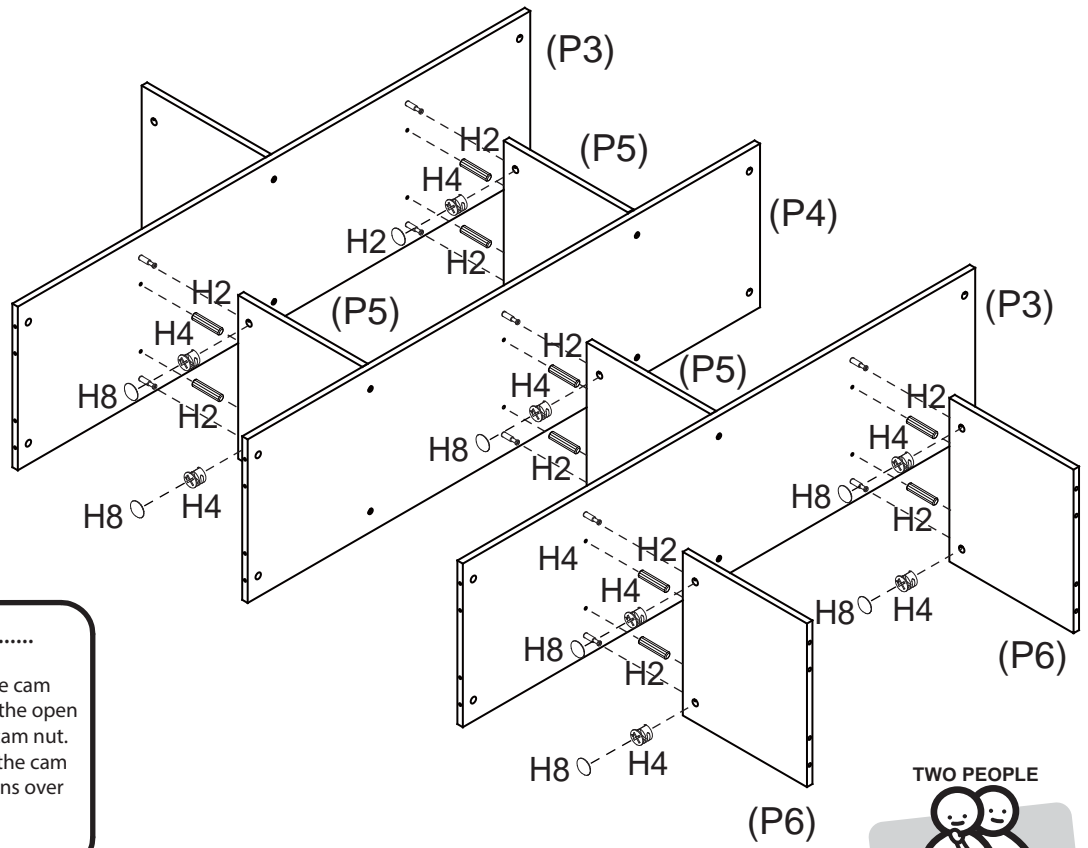
Step 6

You will need	
	
10 x Small Dowels (H2)	10 x Cam Nuts (H4)
	
10 x Covers (H8)	Flat head screwdriver

This is how a cam nut works.....






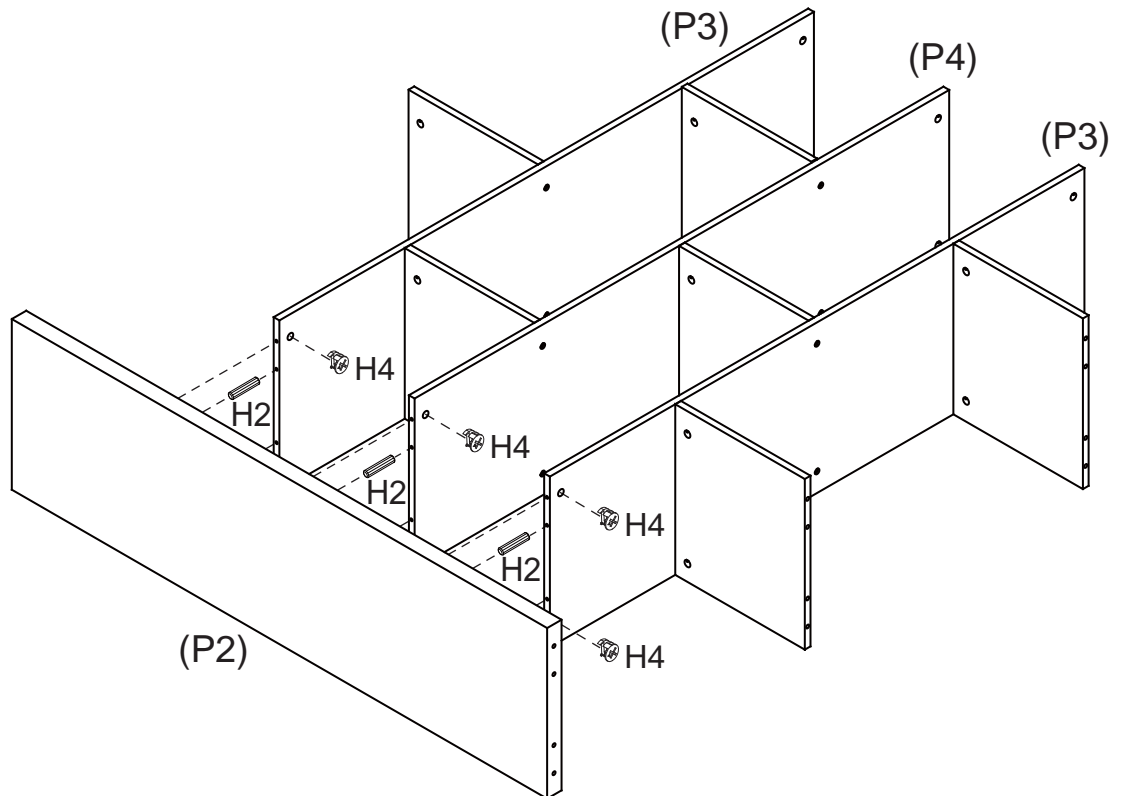
The head of the cam bolt goes into the open mouth of the cam nut. You then turn the cam nut so it tightens over the bolt.



Insert 10 x Small Dowels (H2) into the holes of Shelf Panels (P3, P4).
 Insert 10 x Cam Nuts (H4) into the holes of Dividers (P5, P6).
 Rotate the cam nuts so the arrows point towards the incoming cam bolts.
 Push Dividers (P5, P6) into place and then tighten the cam nuts using a Flat head screwdriver.
 Seal the holes with 10 x Covers (H8) as shown.




Step 7

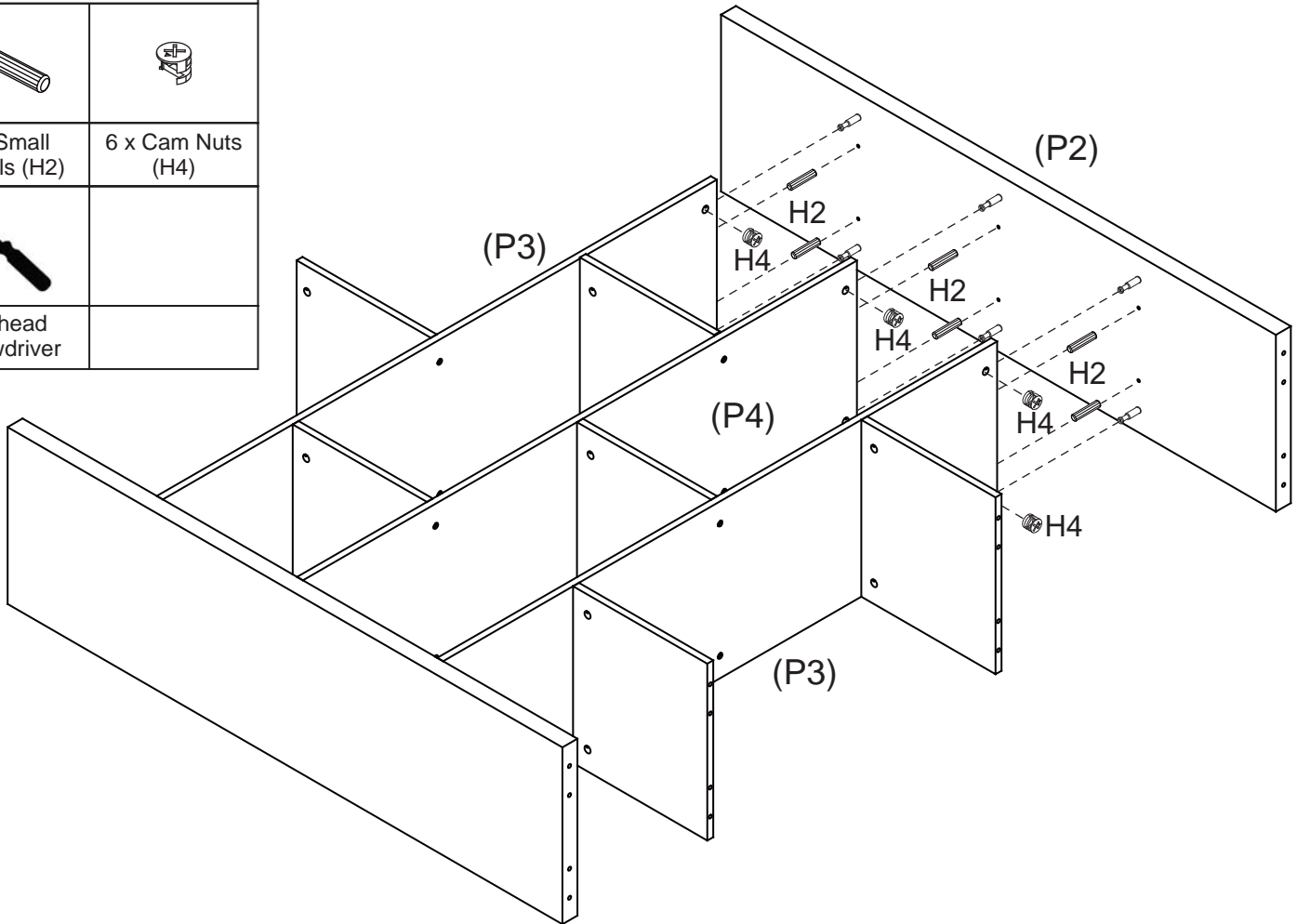
You will need	
	
6 x Small Dowels (H2)	6 x Cam Nuts (H4)
	
Flat head screwdriver	



Insert 6 x Small Dowels (H2) into the holes of Shelf Panels (P3, P4).
 Insert 6 x Cam Nuts (H4) into the holes of Shelf Panels (P3, P4).
 Rotate the cam nuts so the arrows point towards the incoming cam bolts.
 Push Side Panel (P2) into place and then tighten the cam nuts.



Step 8

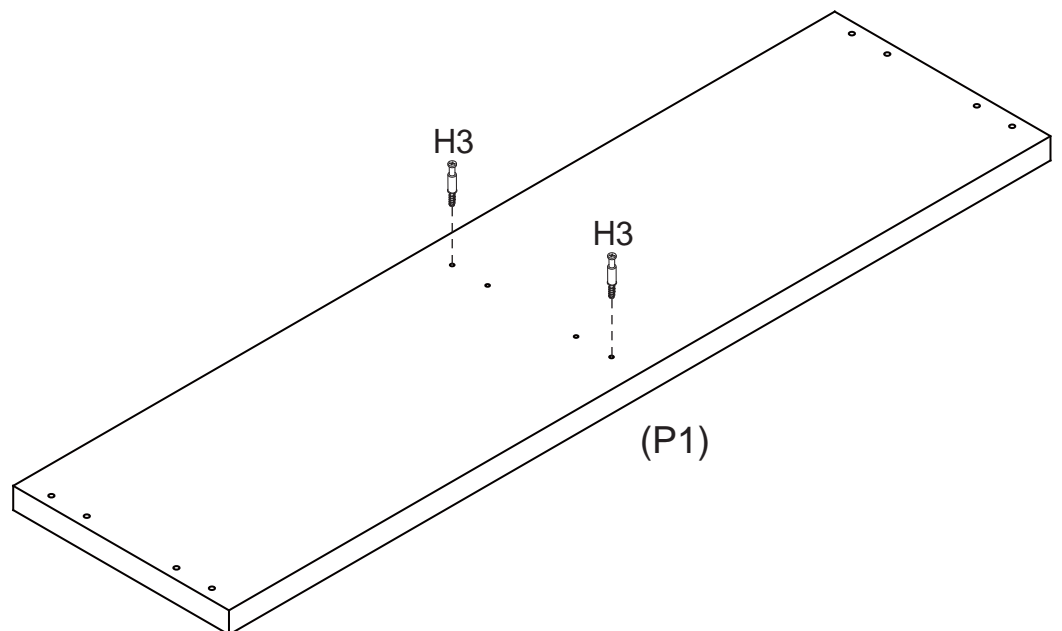
You will need	
	
6 x Small Dowels (H2)	6 x Cam Nuts (H4)
	
Flat head screwdriver	



Insert 6 x Small Dowels (H2) into the holes of Shelf Panels (P3, P4).
 Insert 6 x Cam Nuts (H4) into the holes of Shelf Panels (P3, P4).
 Rotate the cam nuts so the arrows point towards the incoming cam bolts.
 Push Side Panel (P2) into place and then tighten the cam nuts.

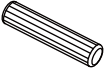
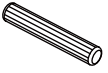



Step 9

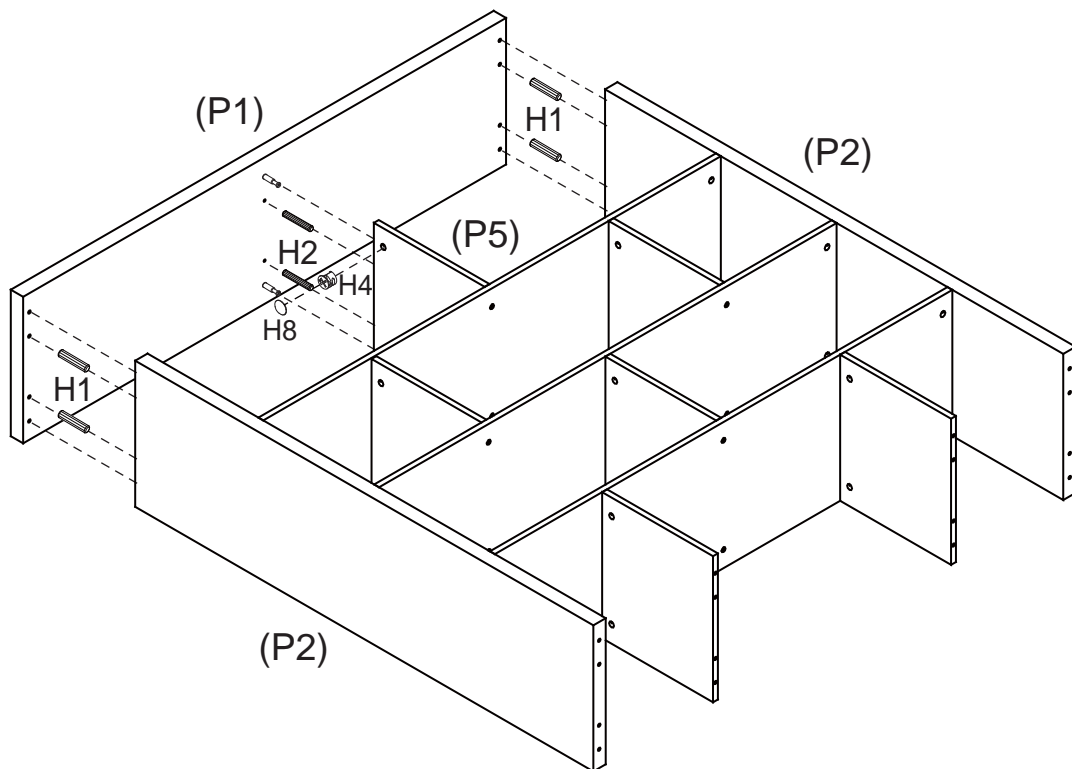
You will need	
	
2 x Cam Bolts (H3)	Phillips head screwdriver



Attach 2 x Cam Bolts (H3) into Top Panel (P1) as shown.

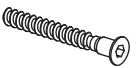


Step 10

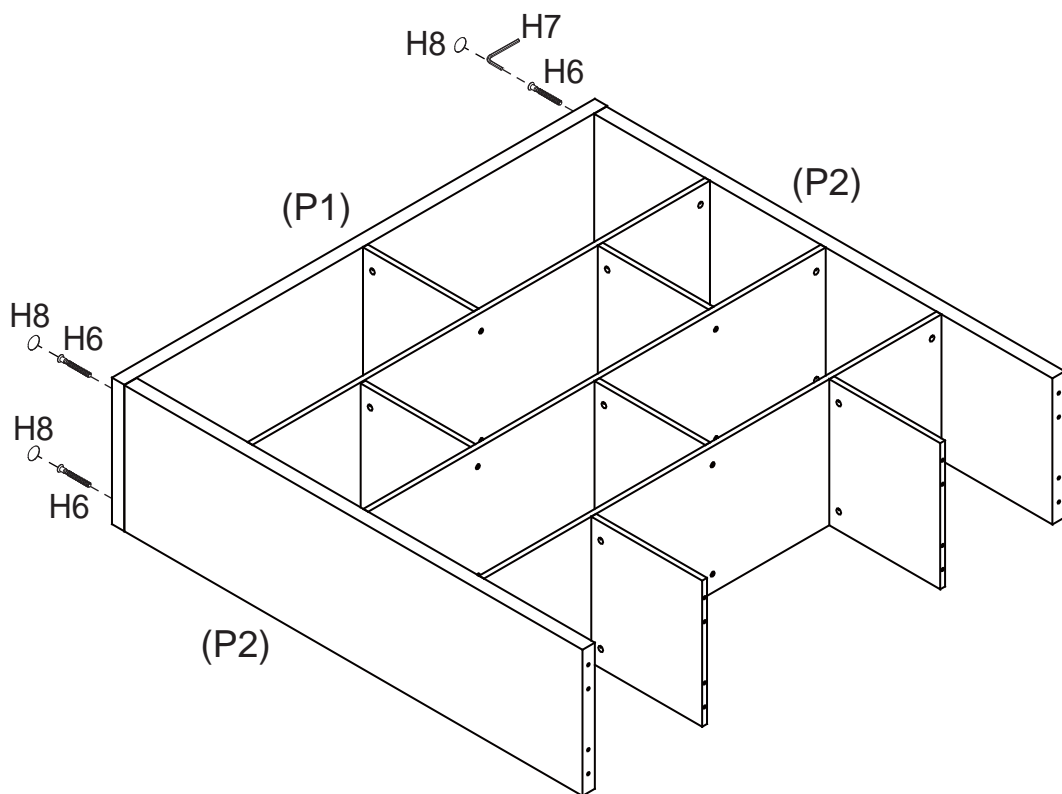
You will need	
	
4 x Dowels (H1)	2 x Small Dowels (H2)
	
2 x Cam Nuts (H4)	2 x Covers (H8)
	
Flat head screwdriver	



- Insert 4 x Dowels (H1) into the holes of Side Panels (P2).
- Insert 2 x Small Dowels (H2) into the holes of Divider (P5).
- Insert 2 x Cam Nuts (H4) into the holes of Divider (P5).
- Rotate the cam nuts so the arrows point towards the incoming cam bolts.
- Attach Top Panel (P1) to Side Panels (P2) and Divider (P5).
- Tighten the cam nuts using a Flat head screwdriver.
- Seal the holes with 2 x Covers (H8) as shown.

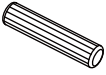
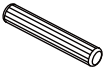


Step 11

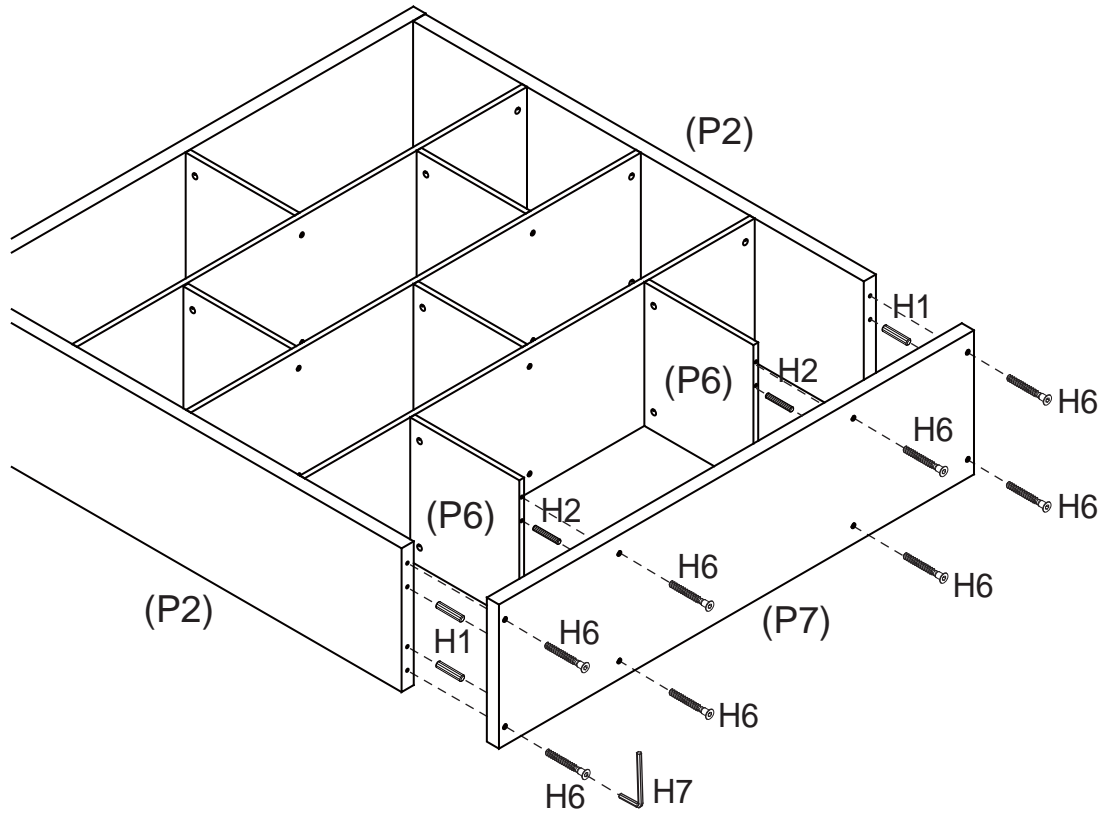
You will need	
	
4 x Inside Hexagonal Bolts (H6)	1 x Allen Key (H7)
	
4 x Covers (H8)	



- Secure Top Panel (P1) to Side Panels (P2) with 4 x Inside Hexagonal Bolts (H6) using an Allen Key (H7).
- Seal the holes with 4 x Covers (H8) as shown.

Step 12



You will need	
	
4 x Dowels (H1)	4 x Small Dowels (H2)
	
8 x Inside Hexagonal Bolts (H6)	1 x Allen Key (H7)

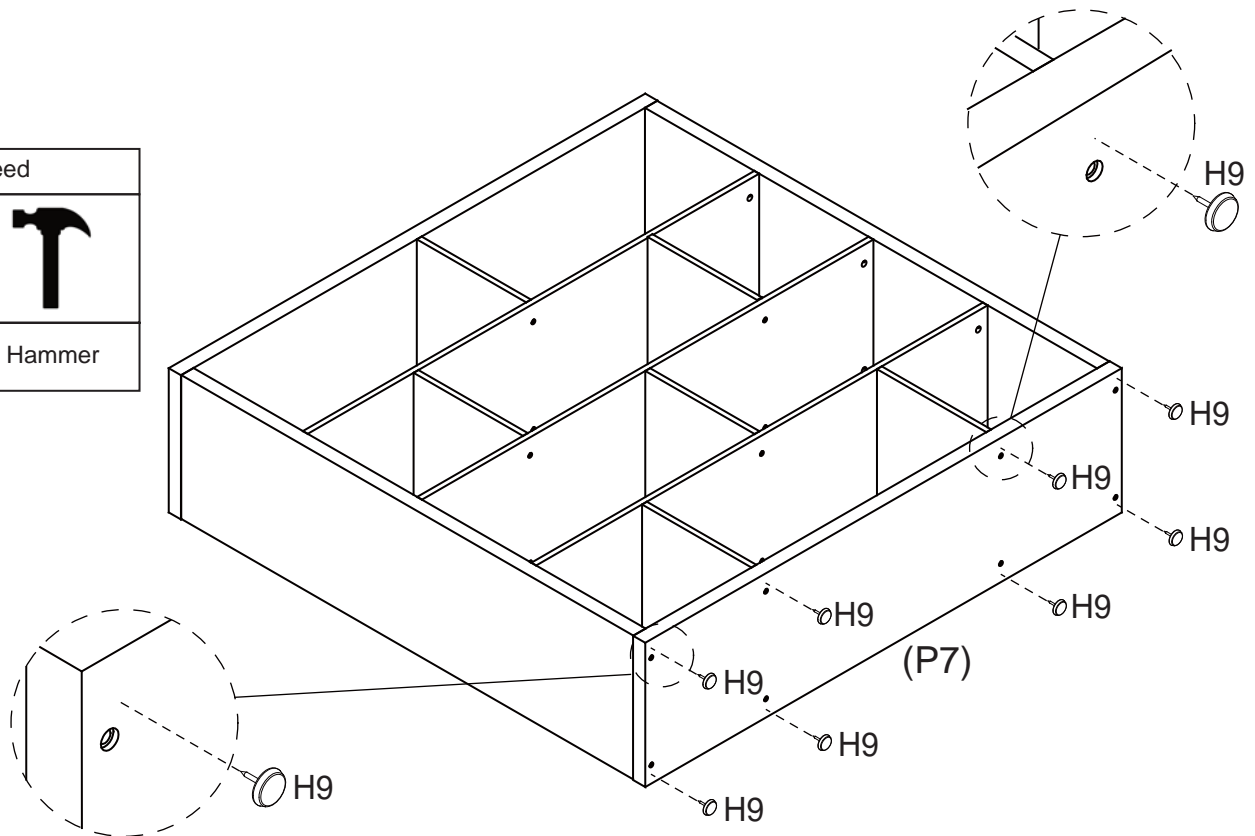


Insert 4 x Dowels (H1) into the holes of Side Panels (P2).
 Insert 4 x Small Dowels (H2) into the holes of Dividers (P6).
 Attach Bottom Panel (P7) to Side Panels (P2) and Dividers (P6) with 8 x Inside Hexagonal Bolts (H6) using an Allen Key (H7).

10mm

Step 13

You will need	
	
8 x Plastic Glides (H9)	Hammer



Place glides 10mm from edge.

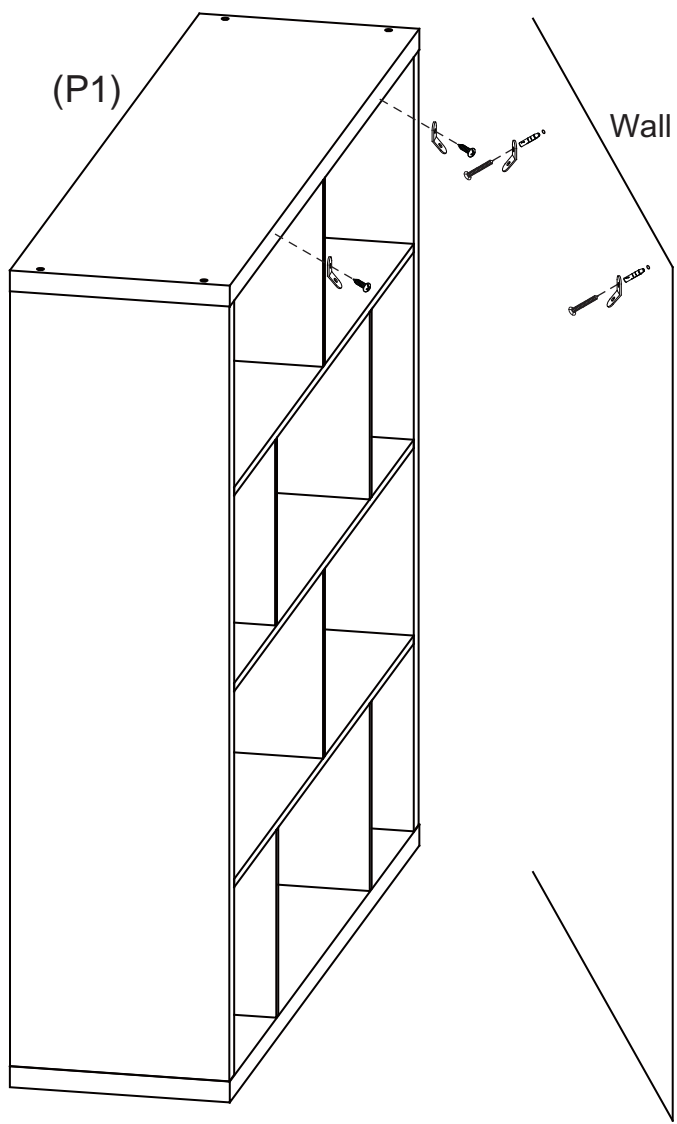
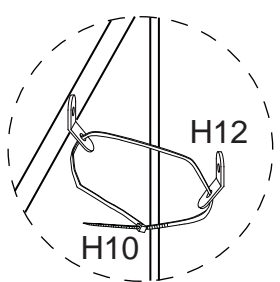
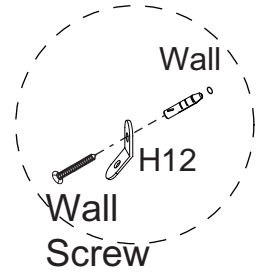
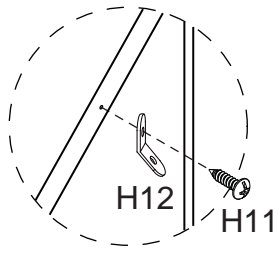
Attach 8 x Plastic Glides (H9) to the bottom of Bottom Panel (P7) with a Hammer.

Step 14

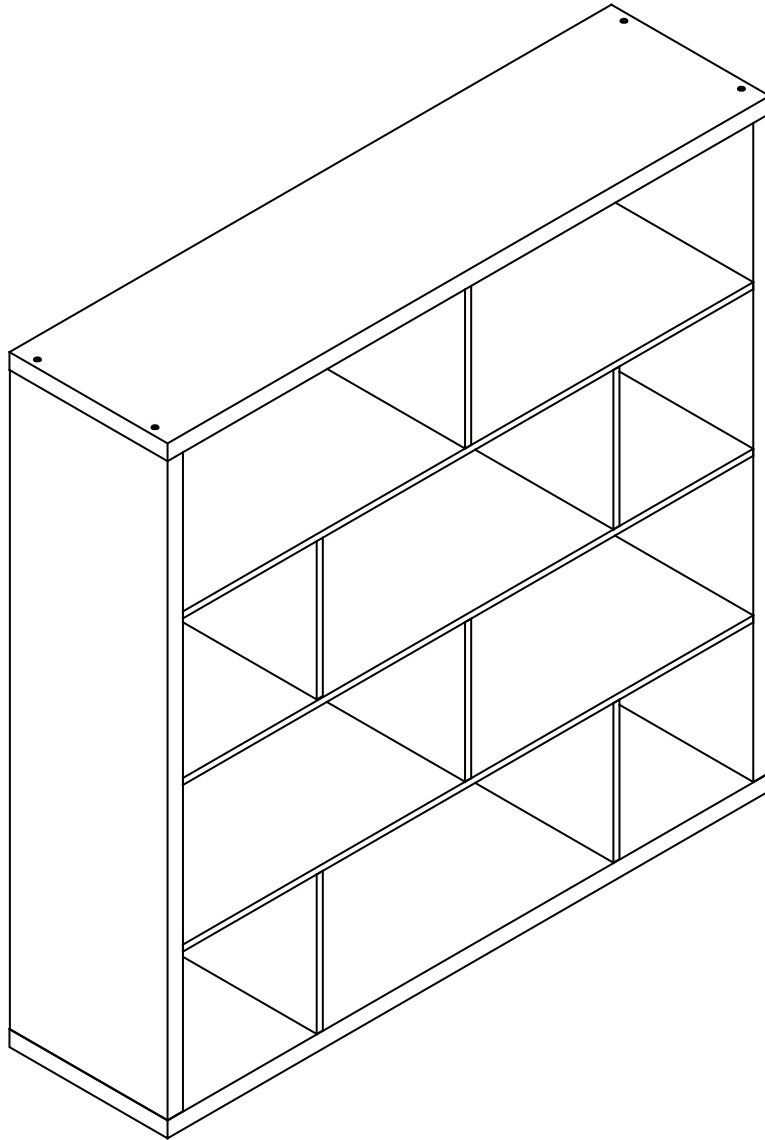
We strongly advise that you use the wall safety strap provided to prevent the unit toppling

Seek advice from a qualified trades person on how to attach this safety strap to your specific wall.

You will need	
2 x Restraint Straps (H10)	2 x Screws (H11)
4 x Brackets (H12)	Phillips head screwdriver
Wall Screw and Wall Plug which are not provided. Please use appropriate fixtures for your wall.	



Carefully turn the bookcase over to an upright position.
 Attach 2 x Brackets (H12) securely to back of Top panel (P1) with 2 x Screws (H11) through the smaller hole.
 Align the opposite wall bracket about 20mm lower than then the one attached to the bookcase so the bracket cant be seen.
 Using appropriate wall connection fixtures, secure the bracket to the wall and thread the restraint strap through it.
 Be careful not to over tighten the strap which would cause the unit to lean.



Recommended weight capacity for each shelf : 10KG.

Job Complete!

In the interest of our environment please dispose of all packaging thoughtfully.