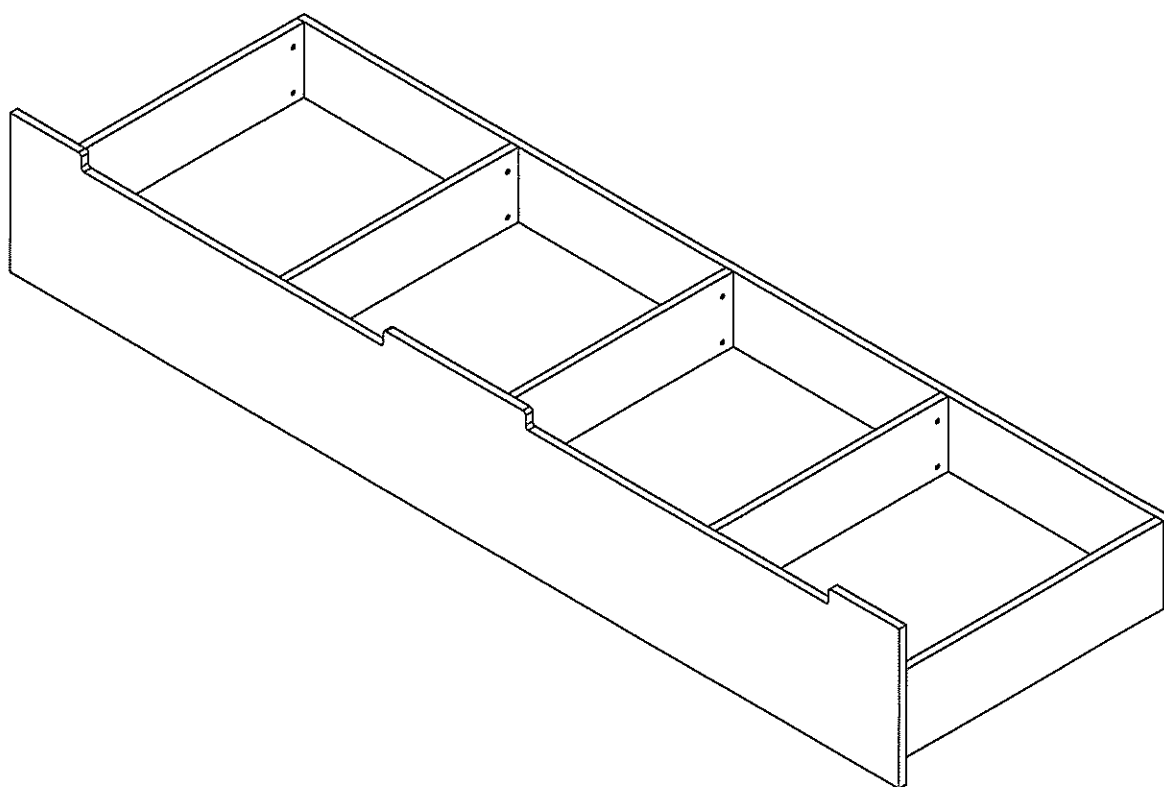


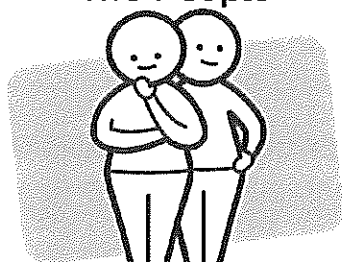


**Fantastic
Furniture**

Version 1.0



Two People



Required

Jordan

Underbed Storage Drawer

fantasticfurniture.com.au

Looks like you've found your Fantastic!

We're thrilled you've chosen Fantastic Furniture
to help create a home you'll love!



Fantastic Furniture

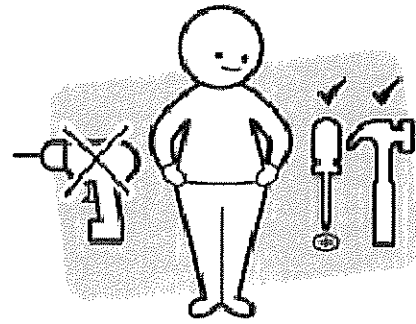
Love it? Share it!

Fantastic buy! Share how it looks at home on Instagram for
your chance to win a \$250 Fantastic Furniture Gift Card!
[@fantasticfurniture](#)

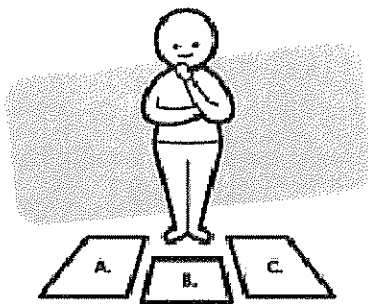
Assembly Checklist



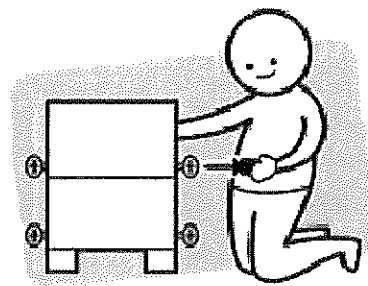
Read through instructions carefully before you begin



Make sure you have all the required tools. Never use power tools unless instructed.



Identify and lay out all of the components before you begin assembly.



Unless Instructed, do not fully tighten screws until the item is fully assembled.

Useful Information

- ! Never use power tools unless specifically instructed. They can damage your components or hardware if used incorrectly.
- ! The most common mistake made during assembly are using the wrong hardware or getting components back to front.
- ! Always use a soft surface (such as carpet or cardboard) when assembling your product to avoid scratching or damaging the surface of the product.
- ! Bulky items such as wardrobes and bunk beds should be assembled in the room they will be used as they may not fit through a door once assembled.
- ! Never use any glue until you are certain that the parts belong together.
- ! Periodically check and re-tighten all fasteners. Check the product care label or website for product care instructions.
- ! If you are having any difficulties assembling your product, missing any hardware or components please visit our website Help Centre for further assistance.
- ! Please see page 2 for any safety requirements or weight restrictions.



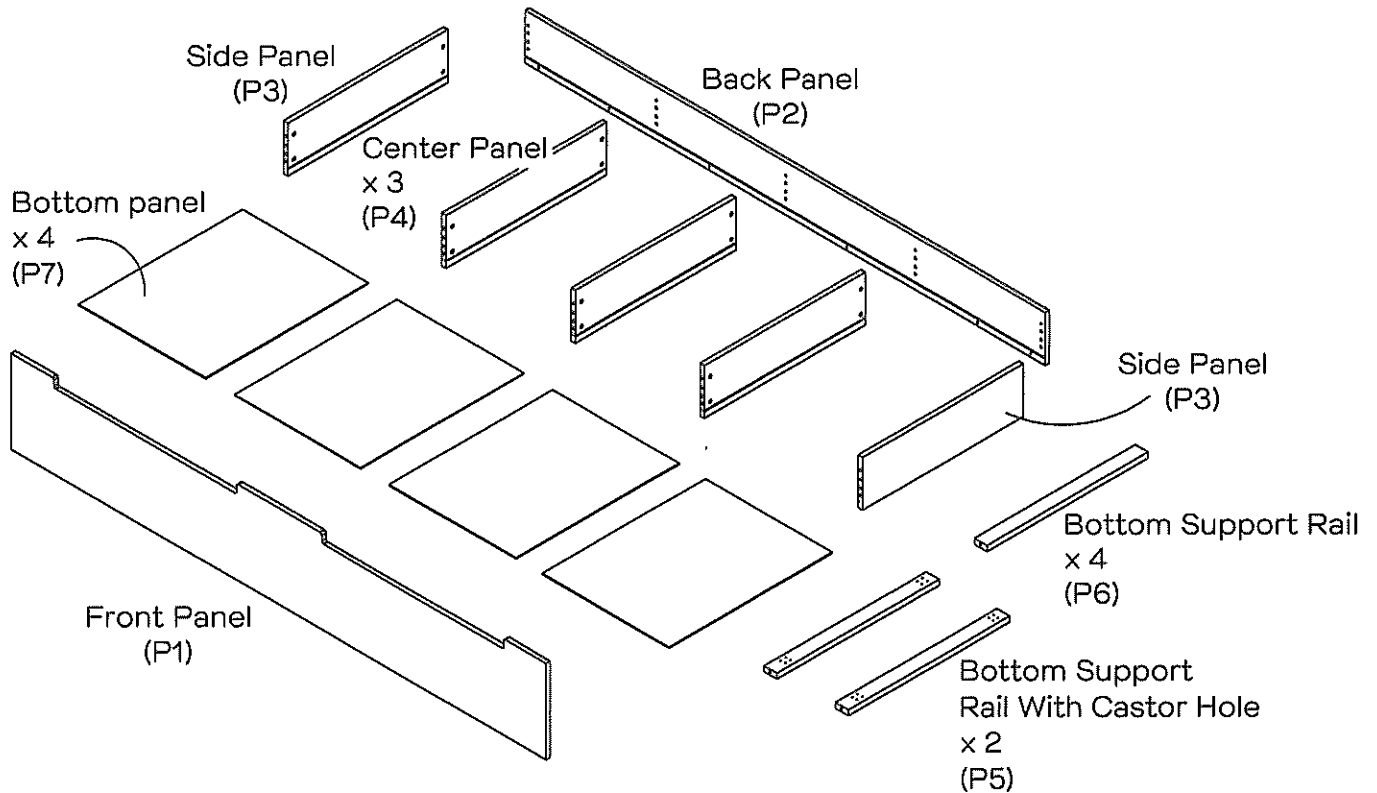
Fantastic Furniture

What you need to assemble the product



Other tools you need

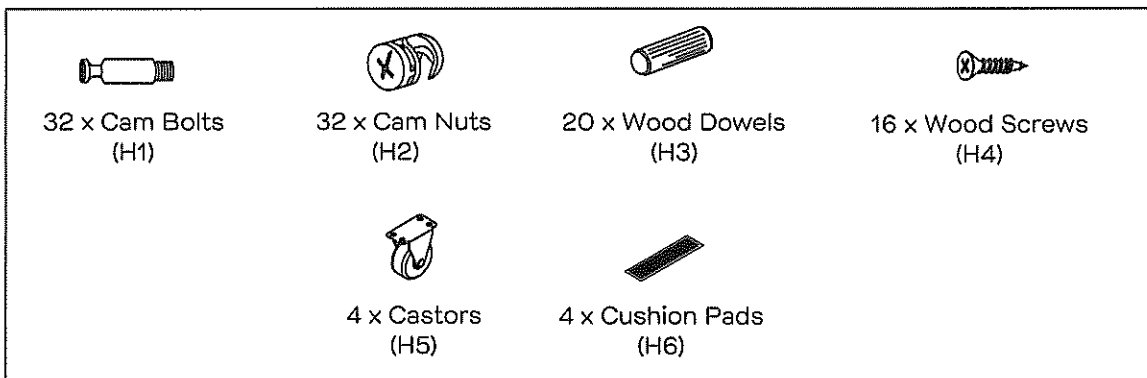
Flat head screwdriver;
Phillips head screwdriver;
Soft headed mallet



Part list

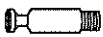

Front Panel (P1), Back Panel (P2), Side Panel (P3), Center Panel (P4), Bottom Support Rail With Castor Hole (P5), Bottom Support Rail (P6), Bottom Panel (P7), Hardware Pack.

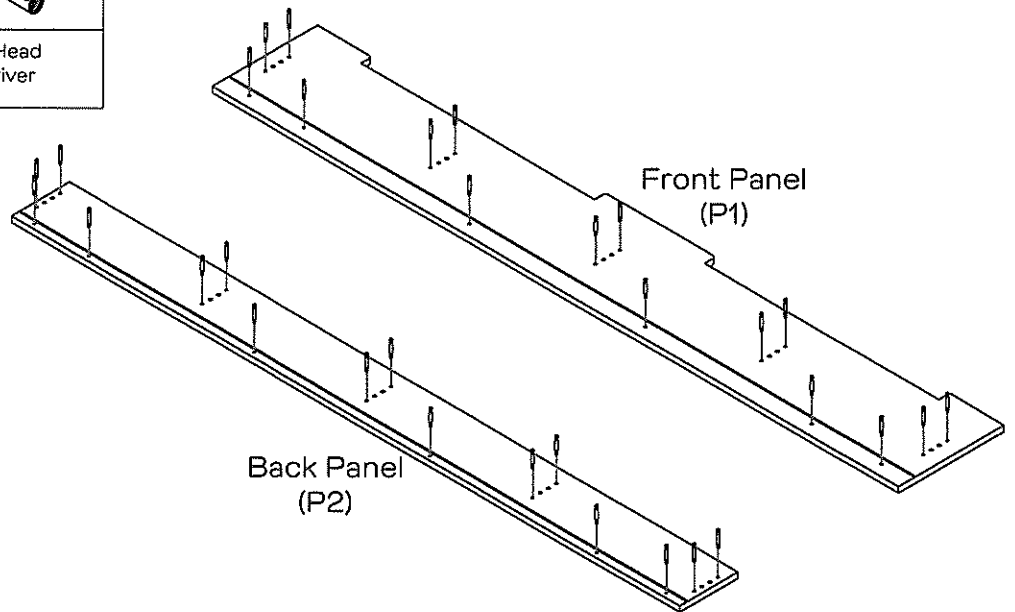
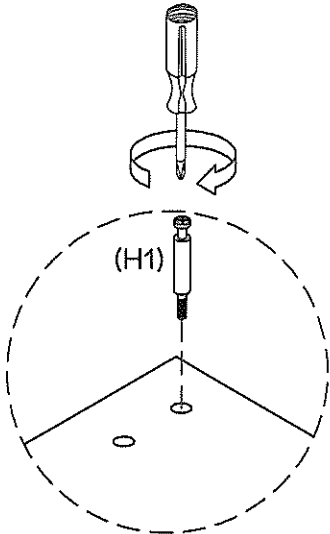
Hardware pack



Fantastic
Furniture



Step 1

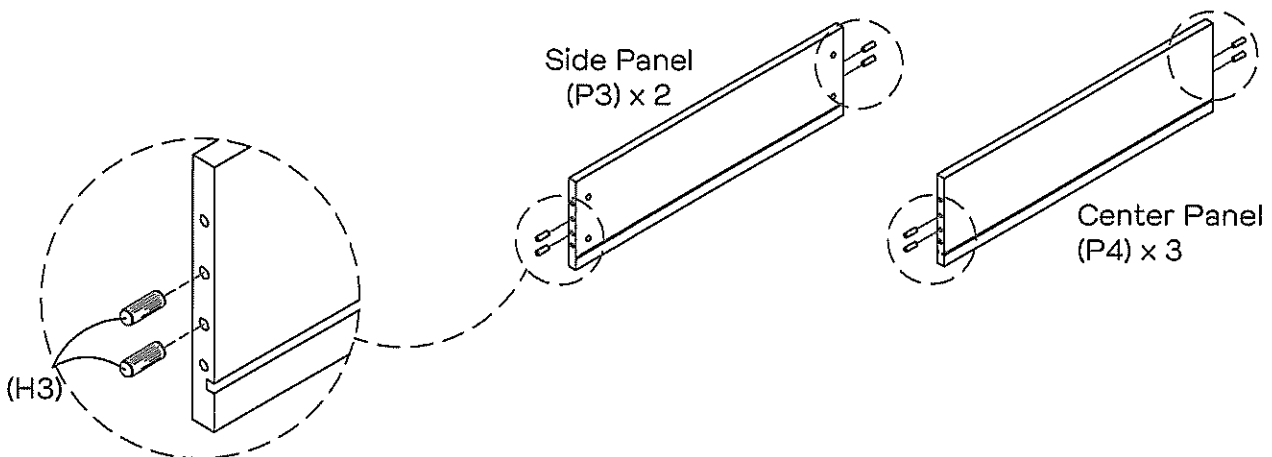
You will need	
	
32 x Cam Bolts (H1)	Phillips Head Screwdriver



Insert 32 x cam bolts (H1) into the front panel (P1) and back panel (P2) as shown, tighten with a phillips head screwdriver.



Step 2

You will need	
	
20 x Wood Dowels (H3)	Soft Headed Mallet

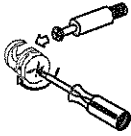


Insert 20 x wood dowels (H3) to the panels as shown by hand or gently using a soft headed mallet.

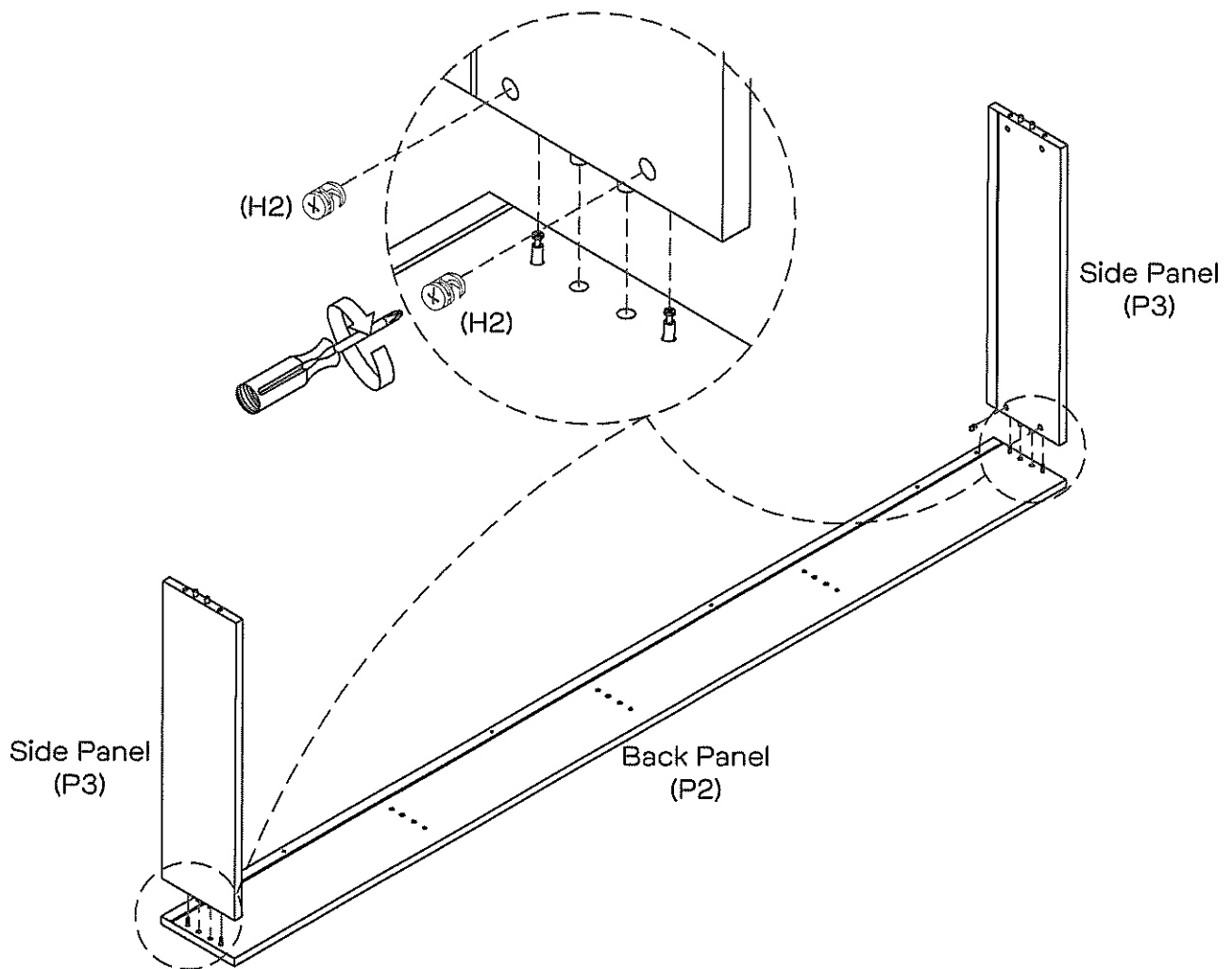
Step 3

You will need	
	
4 x Cam Nuts (H2)	Phillips Head Screwdriver

This is how a cam nut works.....





The head of the cam bolt goes into the open mouth of the cam nut. You then turn the cam nut so it tightens over the bolt.

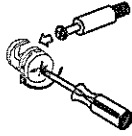


Insert 4 x cam nuts (H2) into the side panels (P3).
Rotate the cam nuts (H2) so the arrows point towards the incoming cam bolts.
Attach the side panels (P3) to the back panel (P2).
Turn the cam nuts (H2) on the side panels (P3) clockwise with a phillips head screwdriver to lock into position.

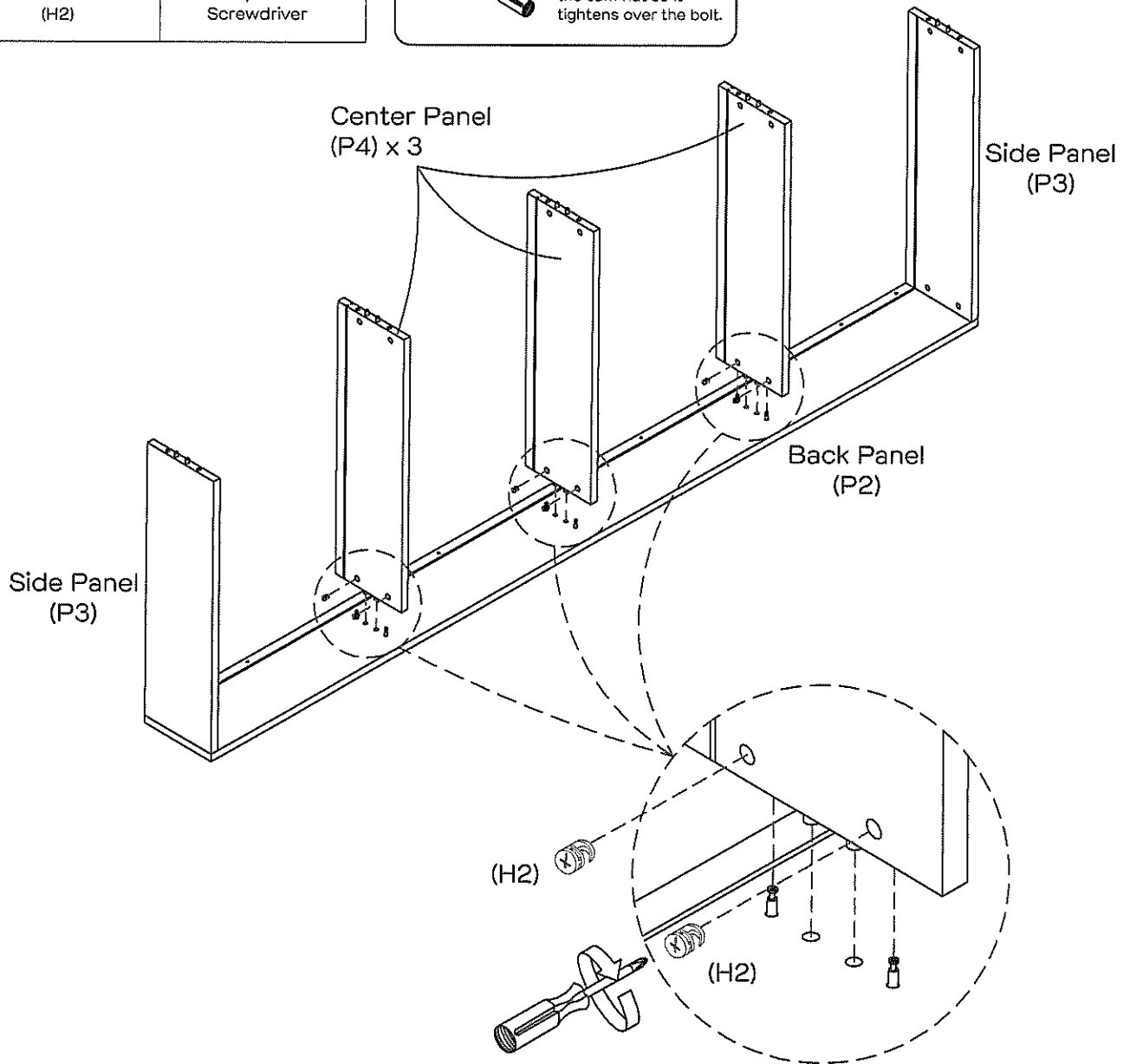
Step 4

You will need	
	
6 x Cam Nuts (H2)	Phillips Head Screwdriver

This is how a cam nut works.....

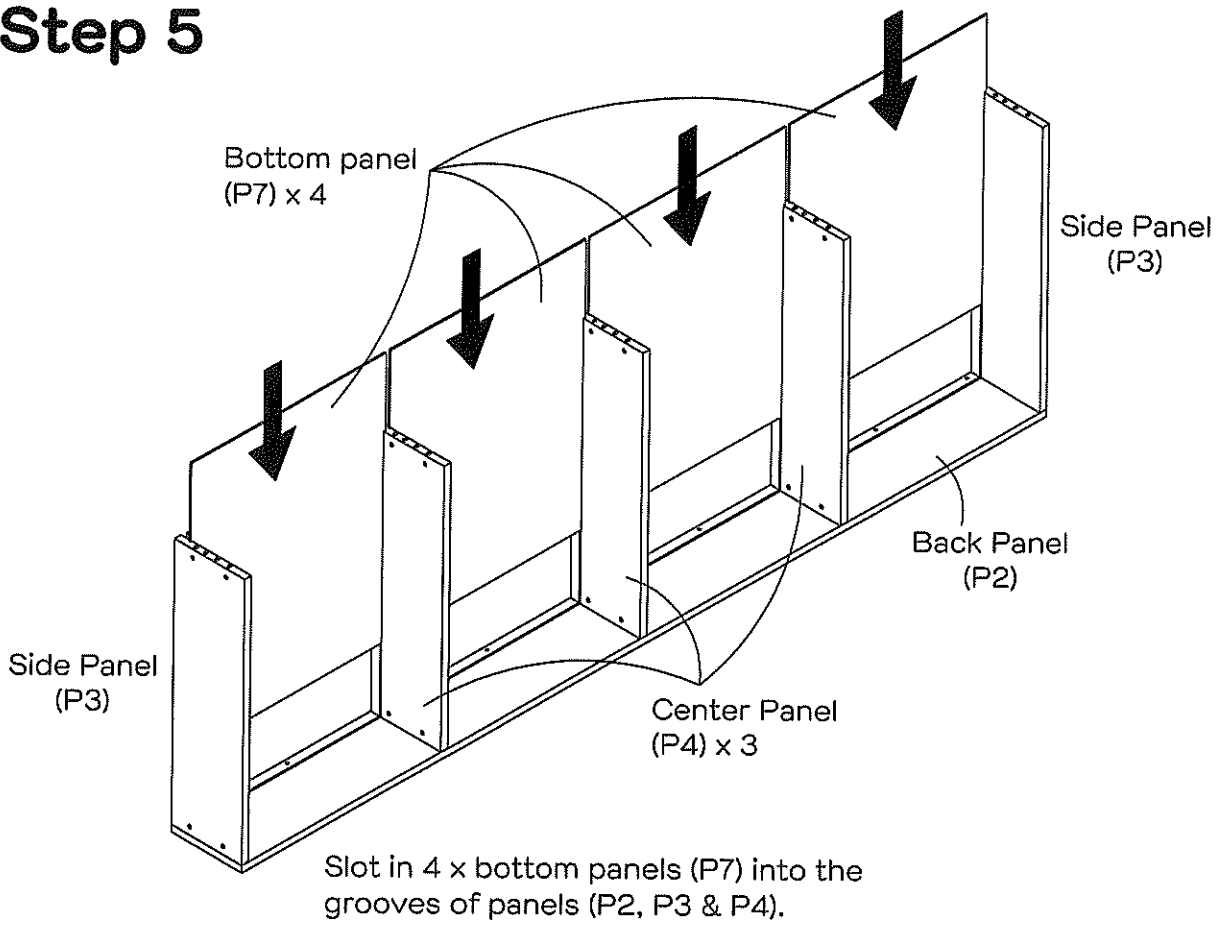


The head of the cam bolt goes into the open mouth of the cam nut. You then turn the cam nut so it tightens over the bolt.



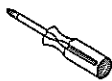


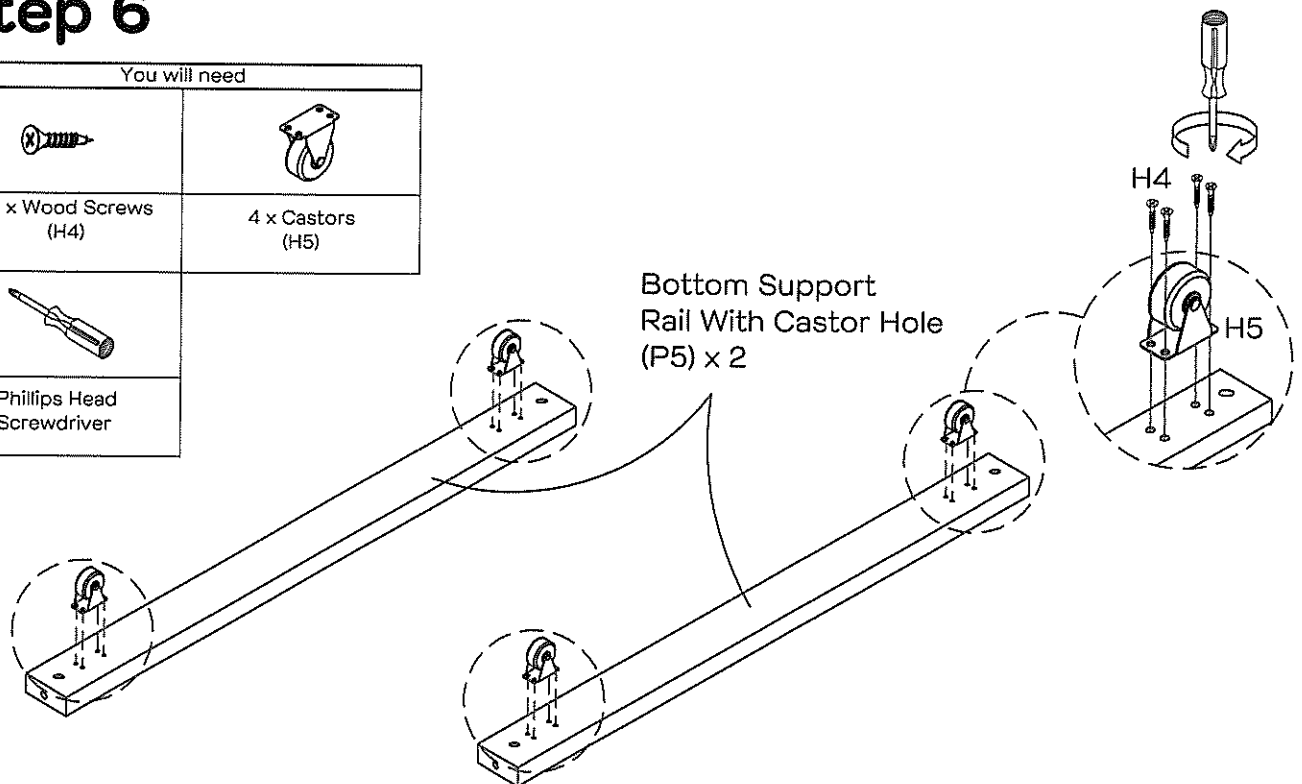
Insert 6 x cam nuts (H2) into center panels (P4).
Rotate the cam nuts (H2) so the arrows point towards the incoming cam bolts.
Attach the center panels (P4) to back panels (P2).
Turn the cam nuts (H2) on center panels (P4) clockwise with a phillips head screwdriver to lock into position.

Step 5




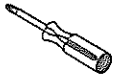
Step 6

You will need	
	
16 x Wood Screws (H4)	4 x Castors (H5)
	
Phillips Head Screwdriver	

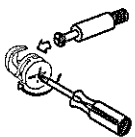


Attach 4 x castors (H4) to the bottom support rails with castor holes (P5) using 16 x wood screws (H4) tightening with the phillips head screwdriver.

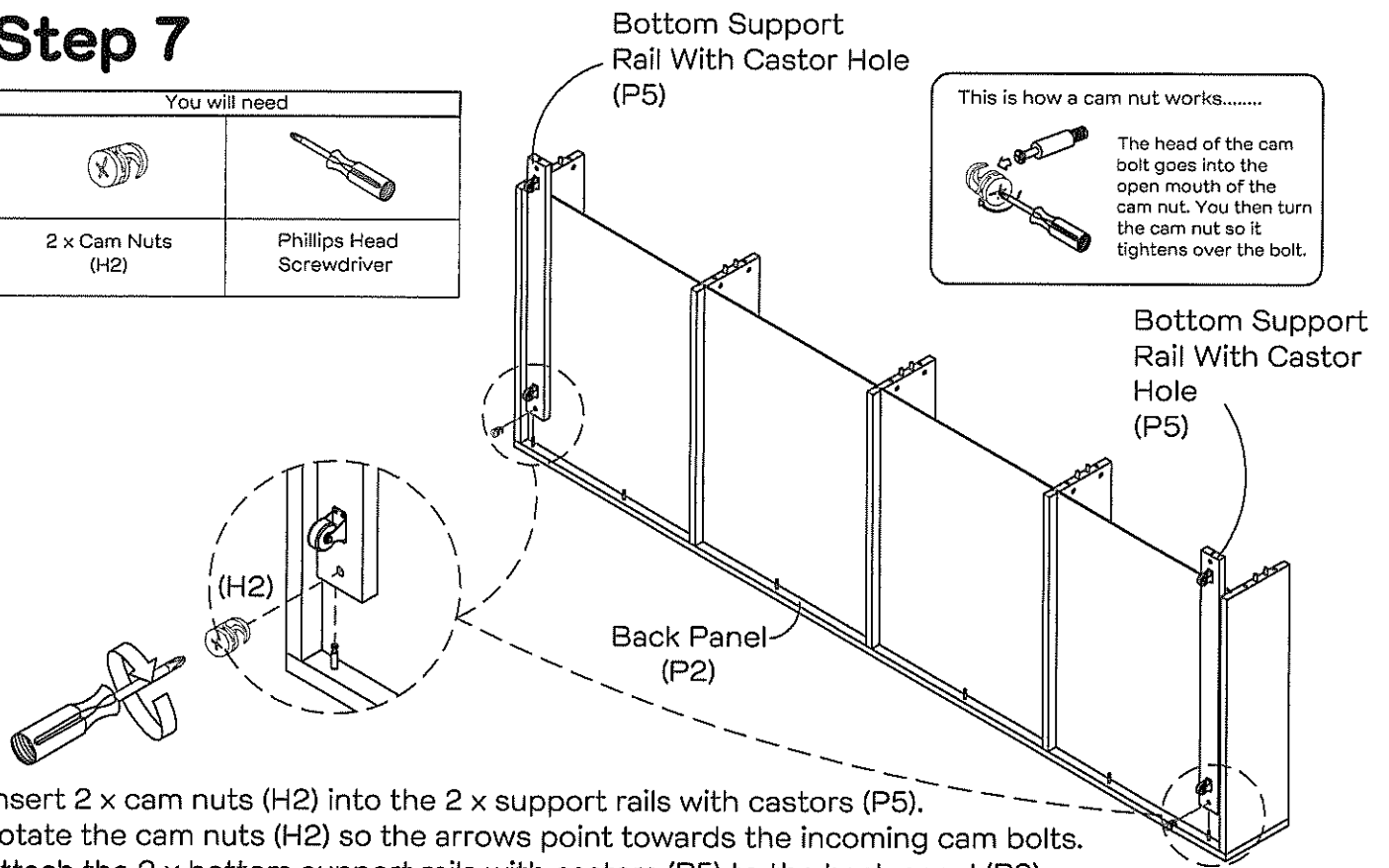
Step 7

You will need	
	
2 x Cam Nuts (H2)	Phillips Head Screwdriver

This is how a cam nut works.....


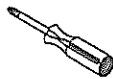


The head of the cam bolt goes into the open mouth of the cam nut. You then turn the cam nut so it tightens over the bolt.

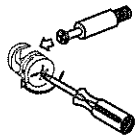


Insert 2 x cam nuts (H2) into the 2 x support rails with castors (P5). Rotate the cam nuts (H2) so the arrows point towards the incoming cam bolts. Attach the 2 x bottom support rails with castors (P5) to the back panel (P2). Turn the cam nuts (H2) on rails (P5) clockwise with a phillips head screwdriver to lock into position.

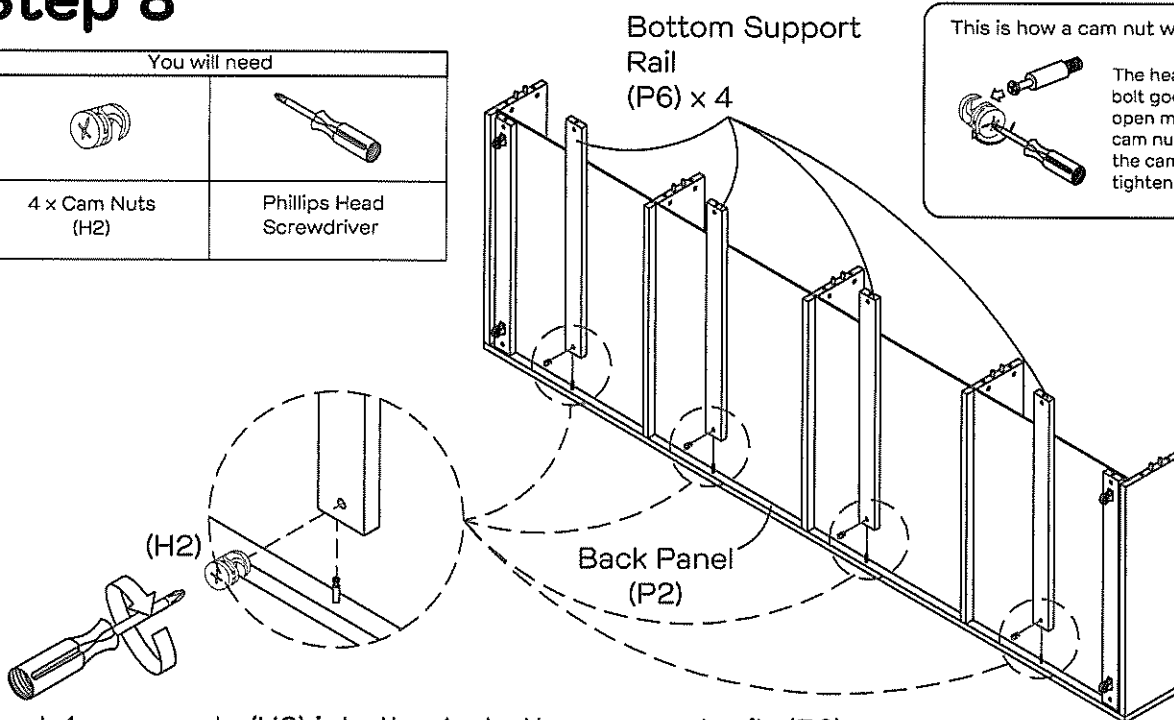
Step 8

You will need	
	
4 x Cam Nuts (H2)	Phillips Head Screwdriver

This is how a cam nut works.....



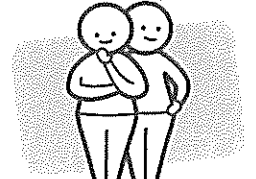
The head of the cam bolt goes into the open mouth of the cam nut. You then turn the cam nut so it tightens over the bolt.



Insert 4 x cam nuts (H2) into the 4 x bottom support rails (P6). Rotate the cam nuts (H2) so the arrows point towards the incoming cam bolts. Attach the 4 x bottom support rails (P6) to the back panel (P2). Turn the cam nuts (H2) on rails (P6) clockwise with a phillips head screwdriver to lock into position.

Step 9

Two People

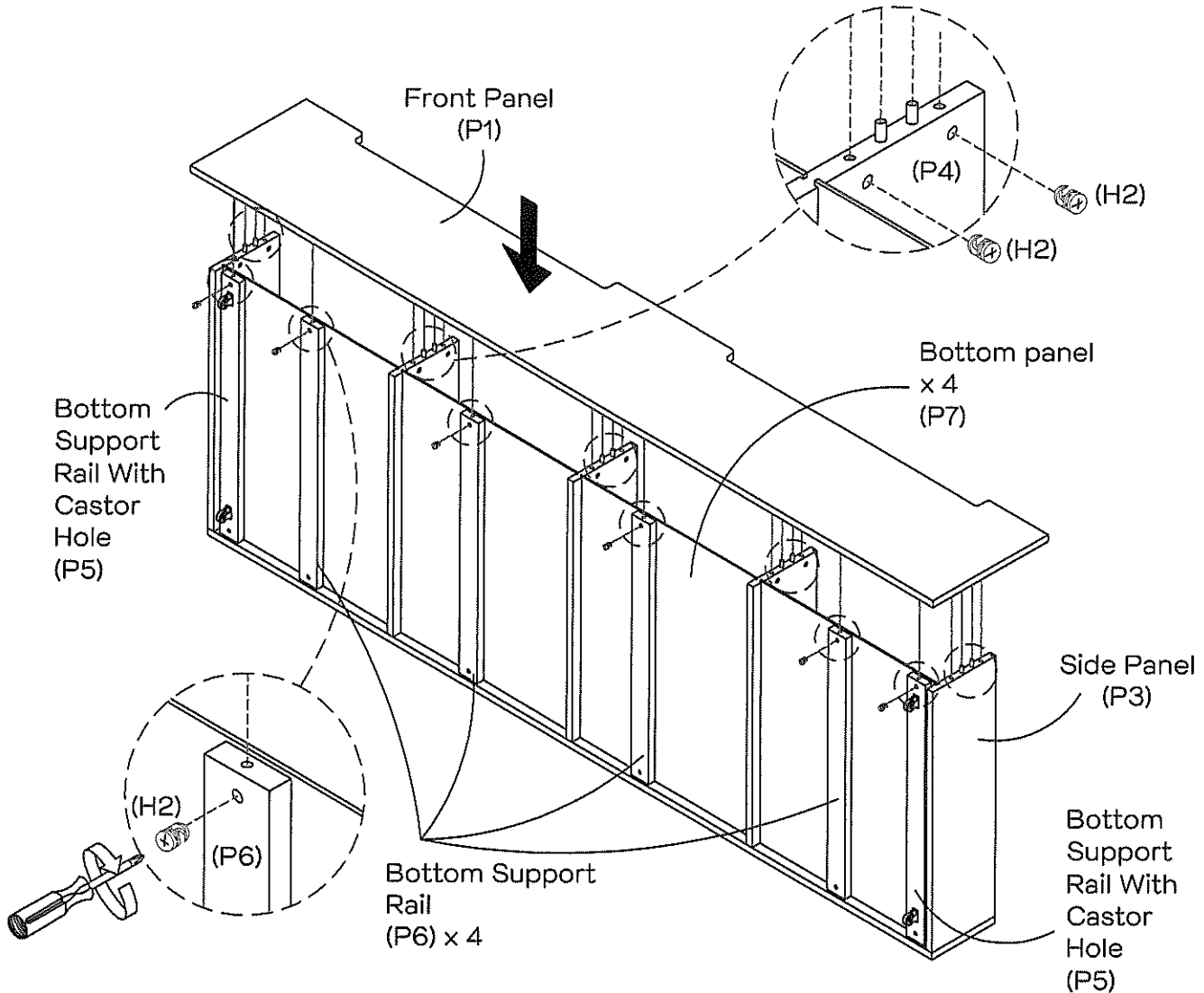


Required

You will need	
16 x Cam Nuts (H2)	Phillips Head Screwdriver

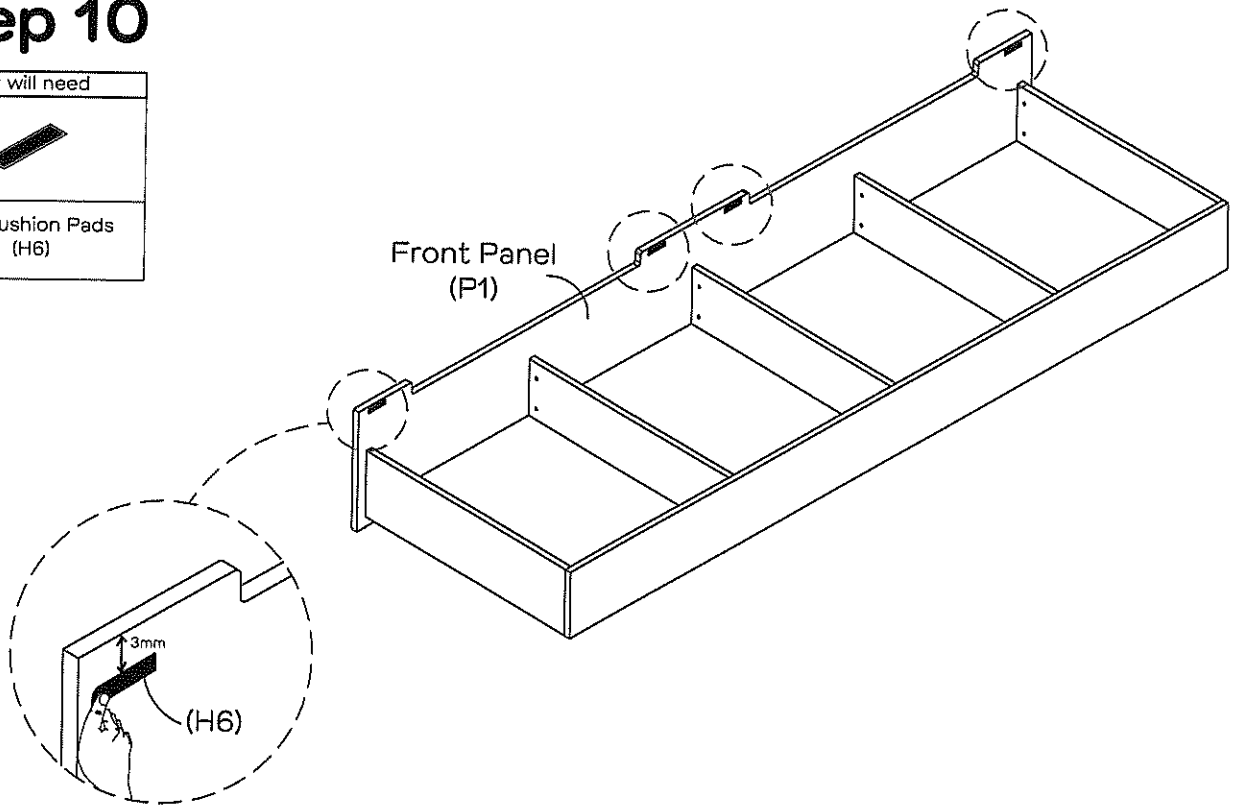
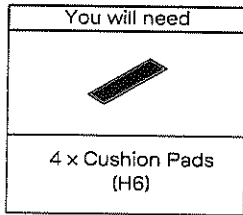
This is how a cam nut works.....

The head of the cam bolt goes into the open mouth of the cam nut. You then turn the cam nut so it tightens over the bolt.



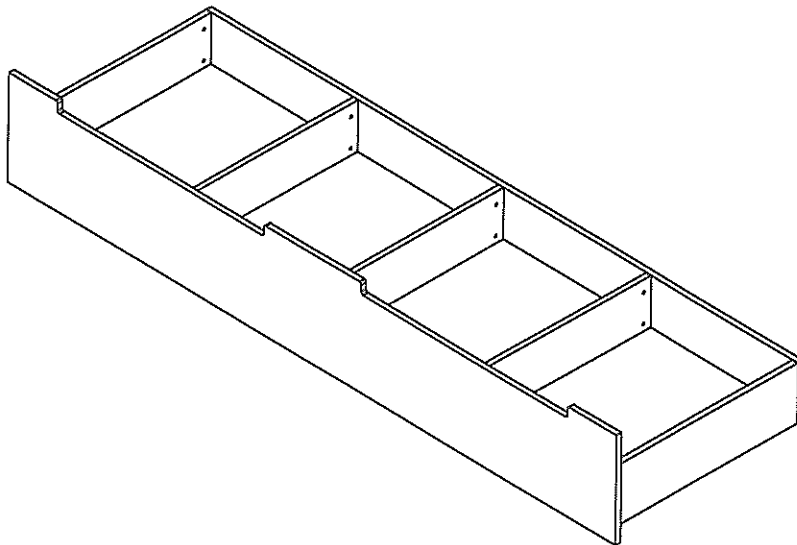
Insert 16 x cam nuts (H2) into the panels (P3, P4, P5 & P6).
 Rotate the cam nuts (H2) so the arrows point towards the incoming cam bolts.
 Attach the front panel (P1) to panels (P3, P4, P5, P6 & P7).
 Turn the cam nuts (H2) on panels (P3, P4, P5 & P6) clockwise with a phillips head screwdriver to lock into position.

Step 10



Remove cushion pads from adhesive stickers and paste on front panel (P1). Make sure the cushion pads (H6) do not exceed 3mm from the top panel as shown in picture.

Step 11



Job Complete!

In the interest of our environment please dispose of all packaging thoughtfully.