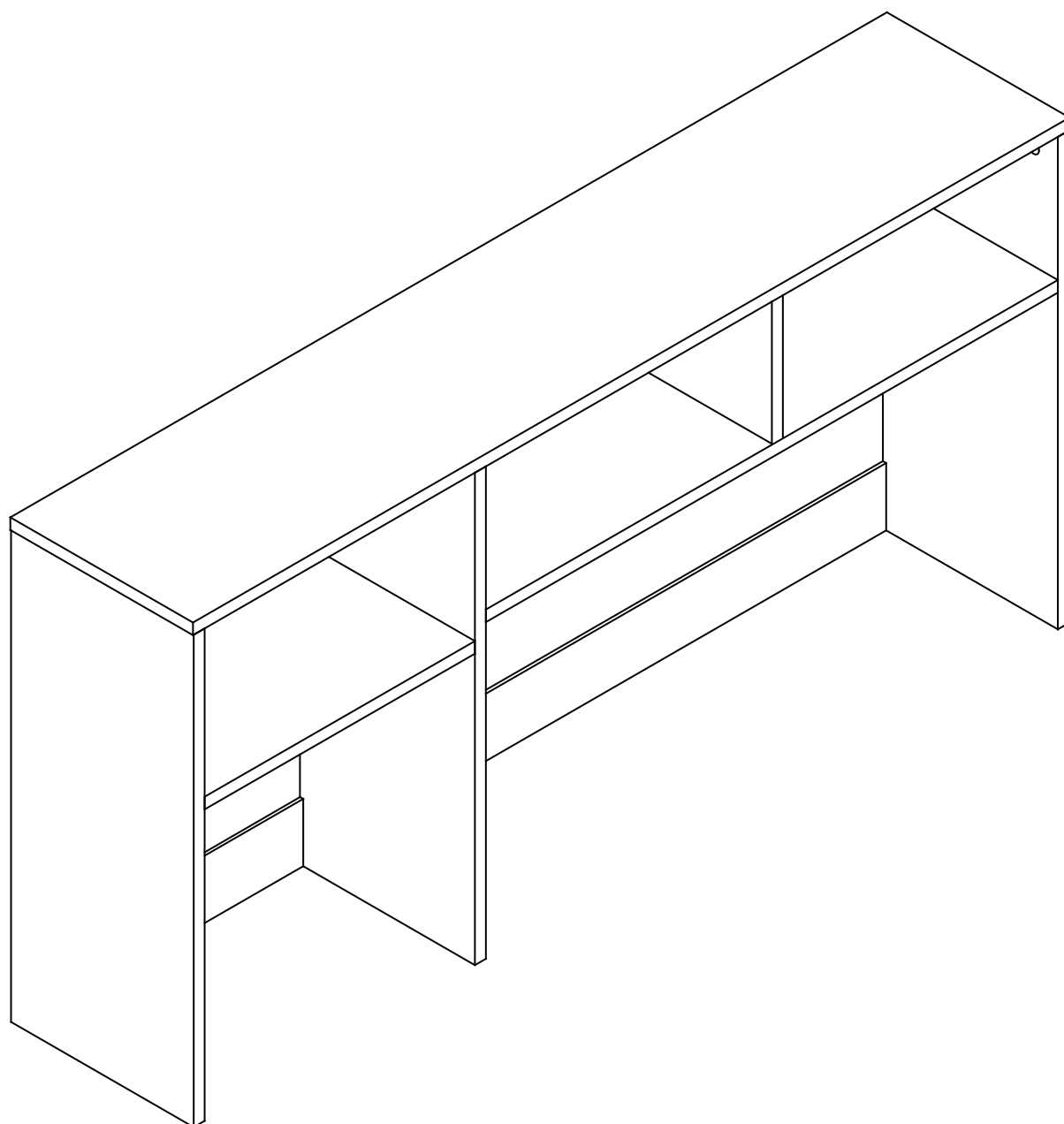




**Fantastic
Furniture**

Version 1.0



COMO
DESK HUTCH

fantasticfurniture.com.au

Recommended weight capacity : 5kgs/shelf.



**WARNING: ENSURE THE WALL STRAP IS ATTACHED TO
AVOID SERIOUS INJURY.**

To avoid any serious or fatal injury, this product has been supplied with a wall strap to prevent toppling. We strongly recommend that this product is permanently fixed to the wall or other suitable surface. Connecting attachments for your wall are not included since different surface materials require different attachments. Please seek professional advice if you are in doubt of what wall connections to use.

Looks like you've found your Fantastic!

We're thrilled you've chosen Fantastic Furniture
to help create a home you'll love



Fantastic Furniture

Love it? Share it!

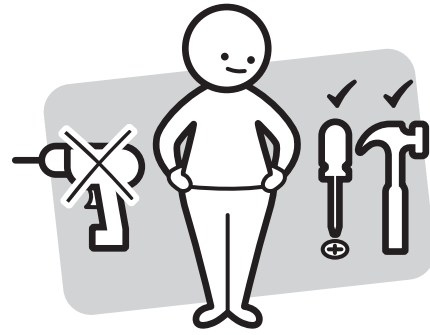
Fantastic buy! Share how it looks at home for your
chance to win a \$250 Fantastic Furniture Gift Card!

fantasticfurniture

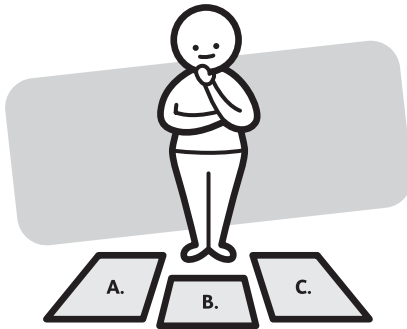
Assembly Checklist



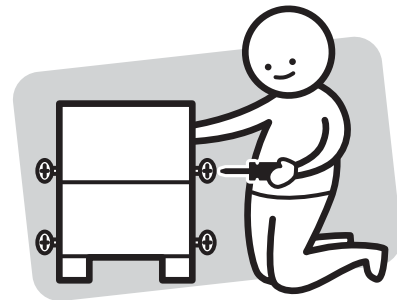
Read through the instructions carefully before you begin.



Make sure you have all the required tools. Never use power tools unless instructed.



Identify and lay out all of the components before you begin assembly.



Unless instructed, do not fully tighten screws until the item is fully assembled.

Useful Information

- ! Never use power tools unless specifically instructed. They can damage your components or hardware if used incorrectly.
- ! The most common mistakes made during assembly are using the wrong hardware or getting components back to front.
- ! Always use a soft surface (such as carpet or cardboard) when assembling your product to avoid scratching or damaging the surface of the product.
- ! Bulky items such as wardrobes and bunk beds should be assembled in the room they will be used in as they may not fit through a door once assembled.
- ! Never use any glue until you are certain that the parts belong together.
- ! Periodically check and re-tighten all fasteners. Check the product care label or website for product care instructions.
- ! If you are having any difficulties assembling your product, missing any hardware or components please visit our website Help Centre for further assistance.
- ! Please see page 2 for any safety requirements or weight restrictions.

What you need

to assemble the product



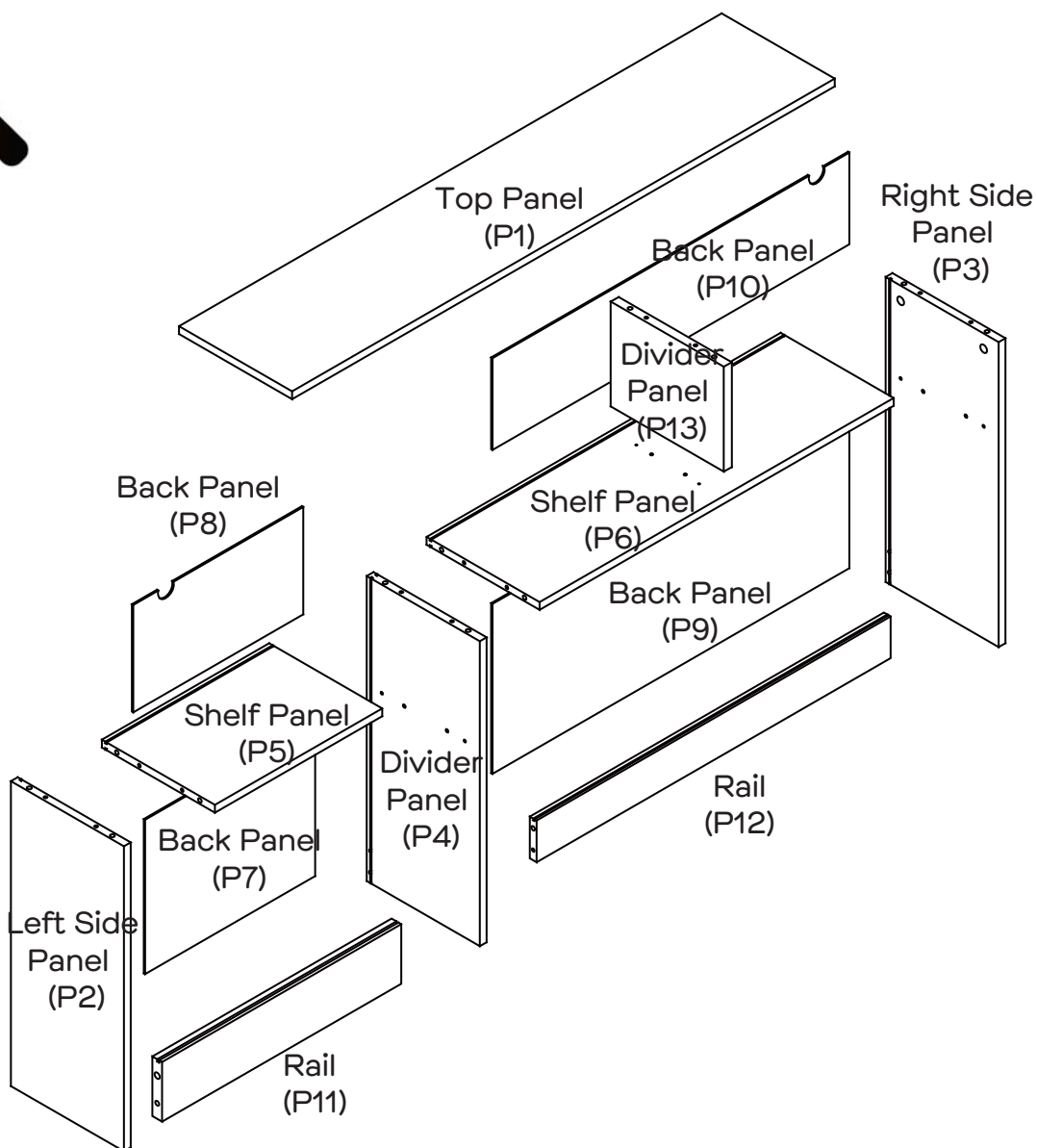
DO NOT USE



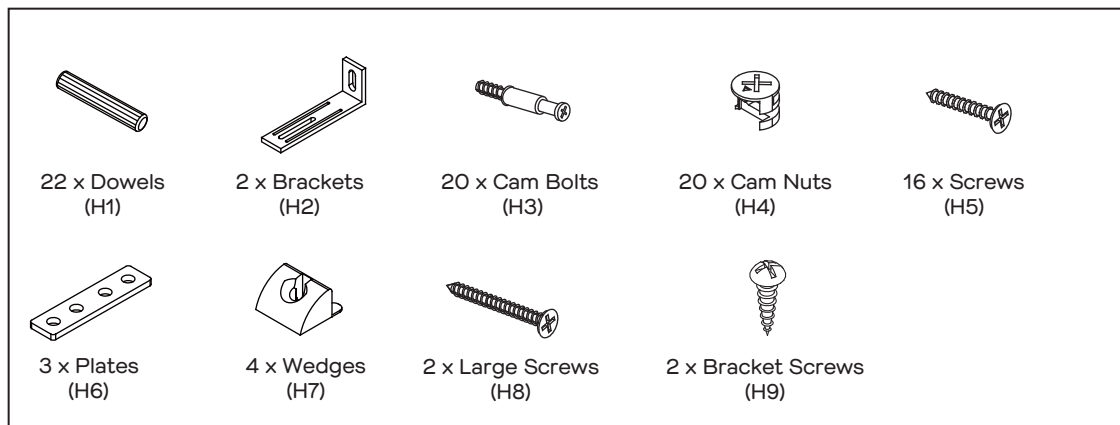
Other tools you need:
Phillips head screwdriver;

Parts list:


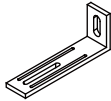


Top Panel (P1);
Left Side Panel (P2);
Right Side Panel (P3);
Divider Panel (P4);
Shelf Panel (P5);
Shelf Panel (P6);
Back Panel (P7);
Back Panel (P8);
Back Panel (P9);
Back Panel (P10);
Rail (P11);
Rail (P12);
Divider Panel (P13)

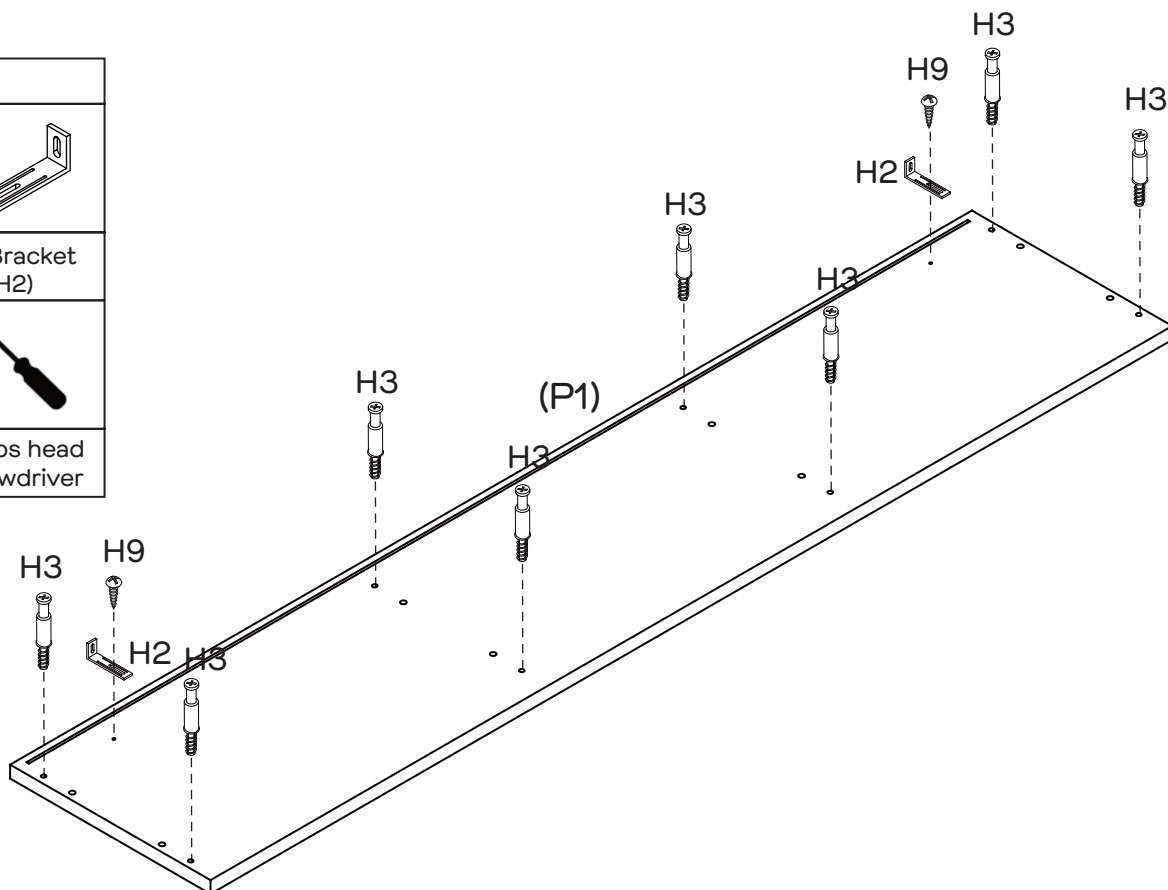


Hardware pack



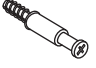

Step 1

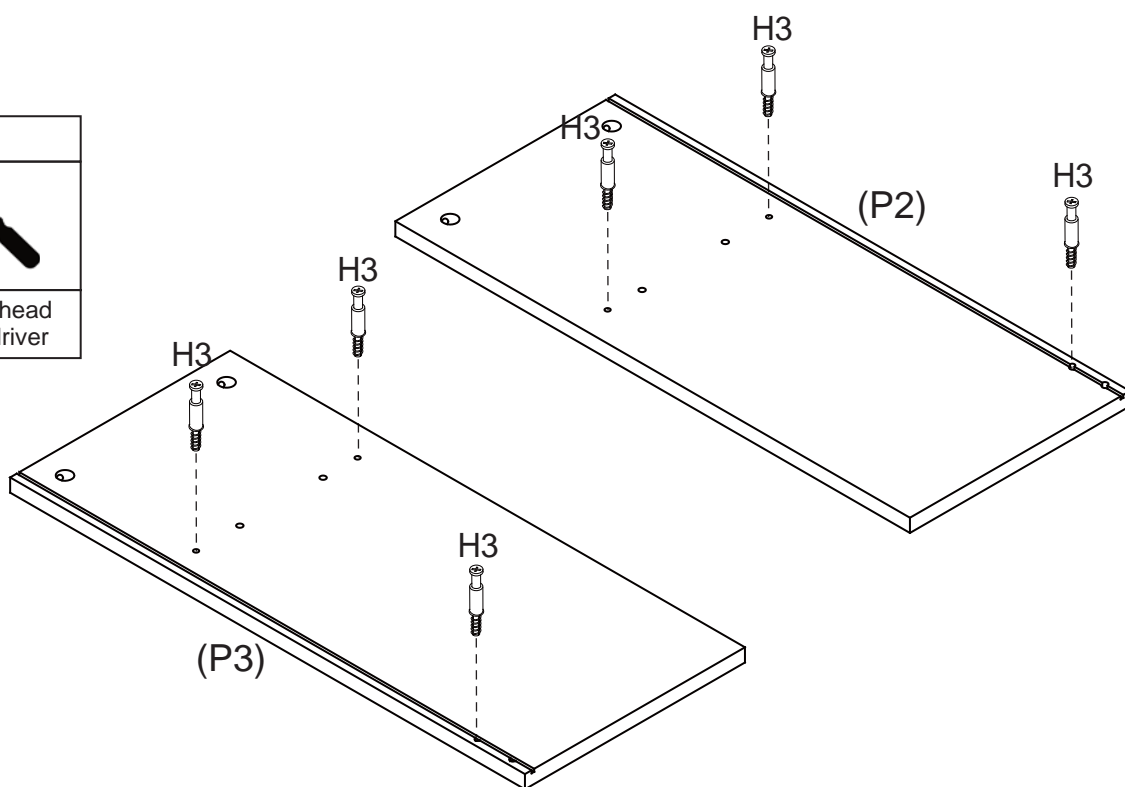
You will need	
	
8 x Cam Bolts (H3)	2 x Bracket (H2)
	
2 x Bracket Screws (H9)	Phillips head screwdriver



Secure 8 x Cam Bolts (H3) to Top Panel (P1) by tightening with the Phillips Head Screwdriver. Attach 2 x Brackets (H2) to Top Panel (P1) with 2 x Bracket Screws (H9) by tightening with the Phillips Head Screwdriver.



Step 2

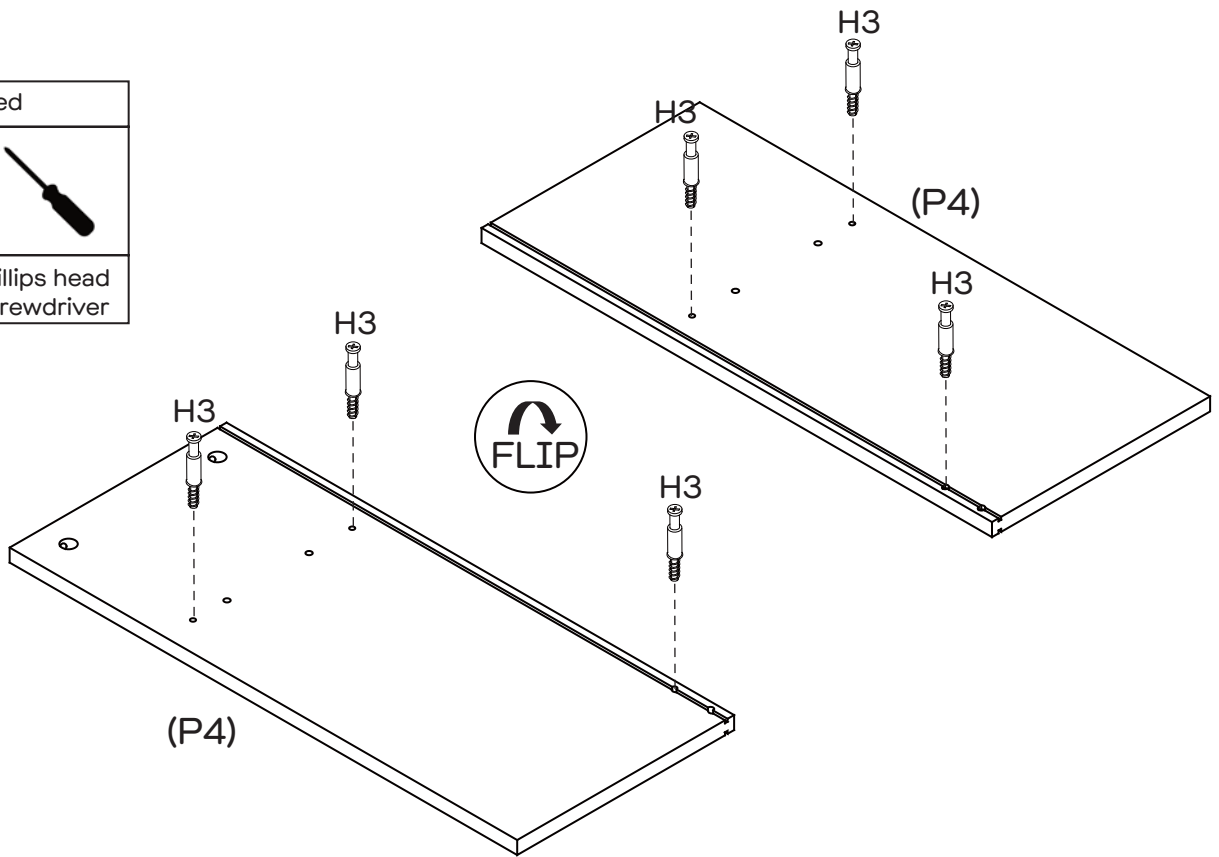
You will need	
	
6 x Cam Bolts (H3)	Phillips head screwdriver



Secure 3 x Cam Bolts (H3) to Left Side Panel (P2) and 3 x Cam Bolts (H3) to Right Side Panel (P3) by tightening with the Phillips Head Screwdriver.




Step 3

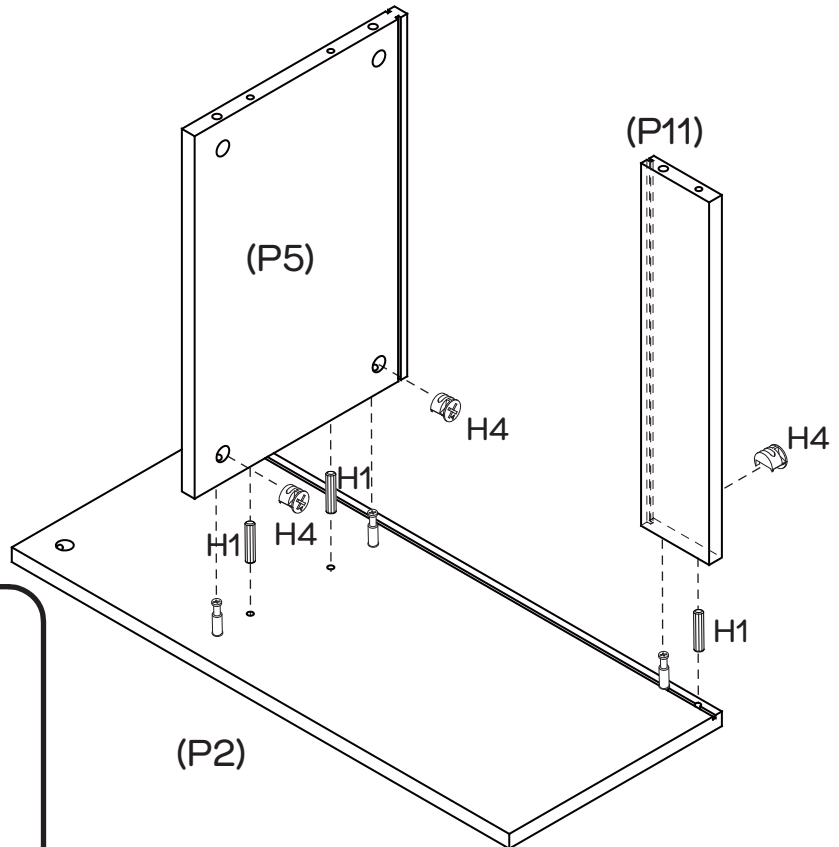
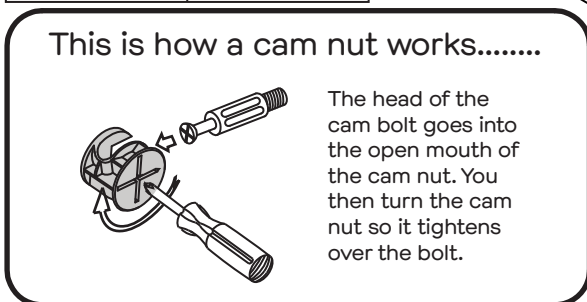
You will need	
	
6 x Cam Bolts (H3)	Phillips head screwdriver



Secure 3 x Cam Bolts (H3) to Divider Panel (P4) by tightening with the Phillips Head Screwdriver. Flip the Divider Panel (P4) over and secure another 3 x Cam Bolts (H3) to the other side by tightening with the Phillips Head Screwdriver.

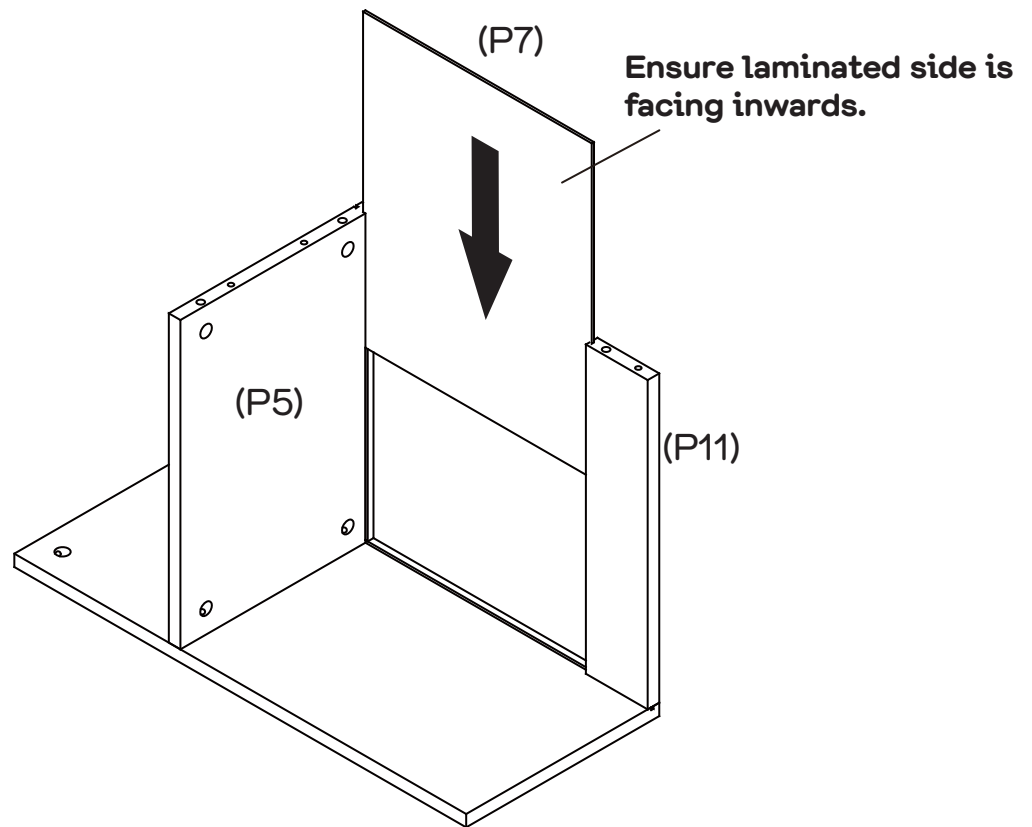
Step 4

You will need	
	
3 x Dowels (H1)	3 x Cam Nuts (H4)
	
Phillips head screwdriver	



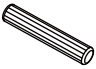


Insert 3 x Dowels (H1) & 3 x Cam Nuts (H4) into Shelf panel (P5) and Rail (P11). Attach Left panel (P2) to Shelf panel (P5) and Rail (P11), secure by tightening Cam Nuts (H4) with a Phillips Head Screwdriver.

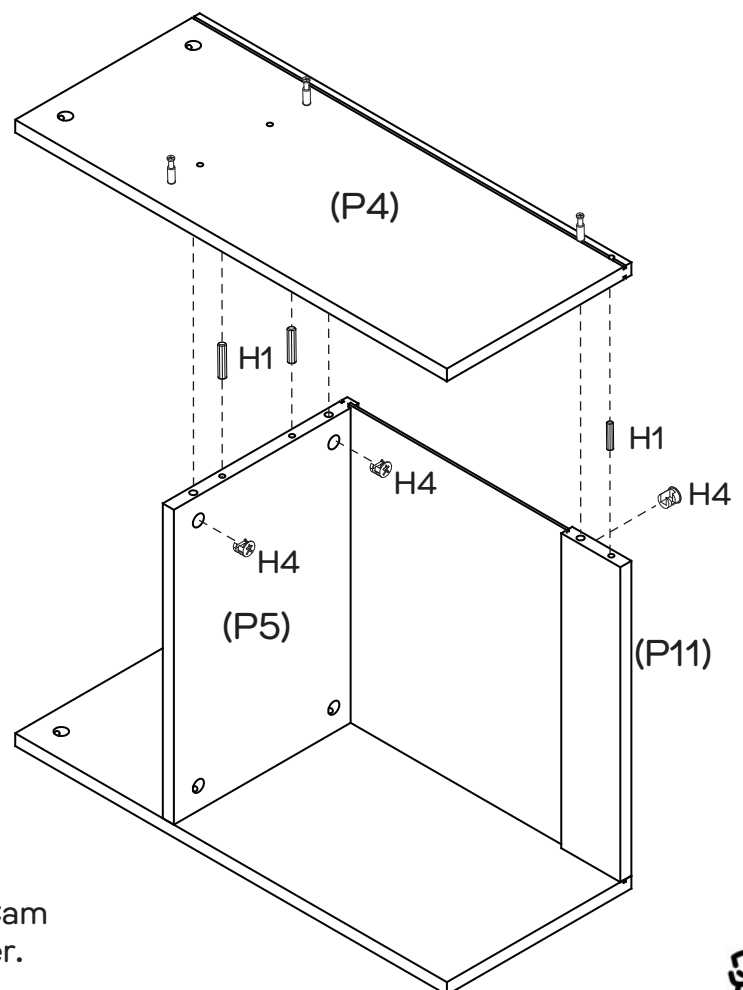
Step 5



Slide Back panel (P7) into the grooves of the Shelf panel (P5) and Rail (P11) as shown.




Step 6

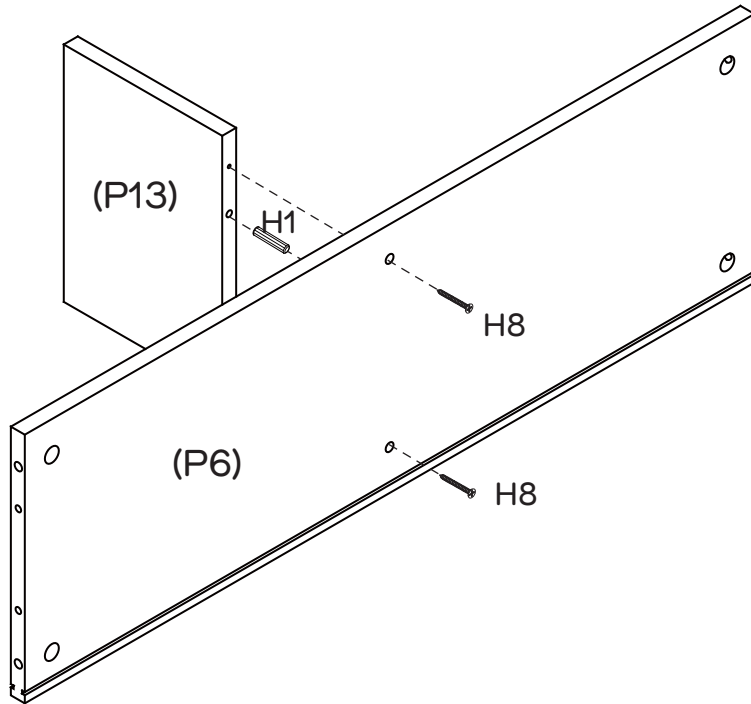
You will need	
	
3 x Dowels (H1)	3 x Cam Nuts (H4)
	
Phillips head screwdriver	



Insert 3 x Dowels (H1) & 3 x Cam Nuts (H4) into Shelf panel (P5) and Rail (P11). Attach Divider panel (P4) to Shelf panel (P5) and Rail (P11), secure by tightening Cam Nuts (H4) with a Phillips Head Screwdriver.

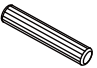


Step 7

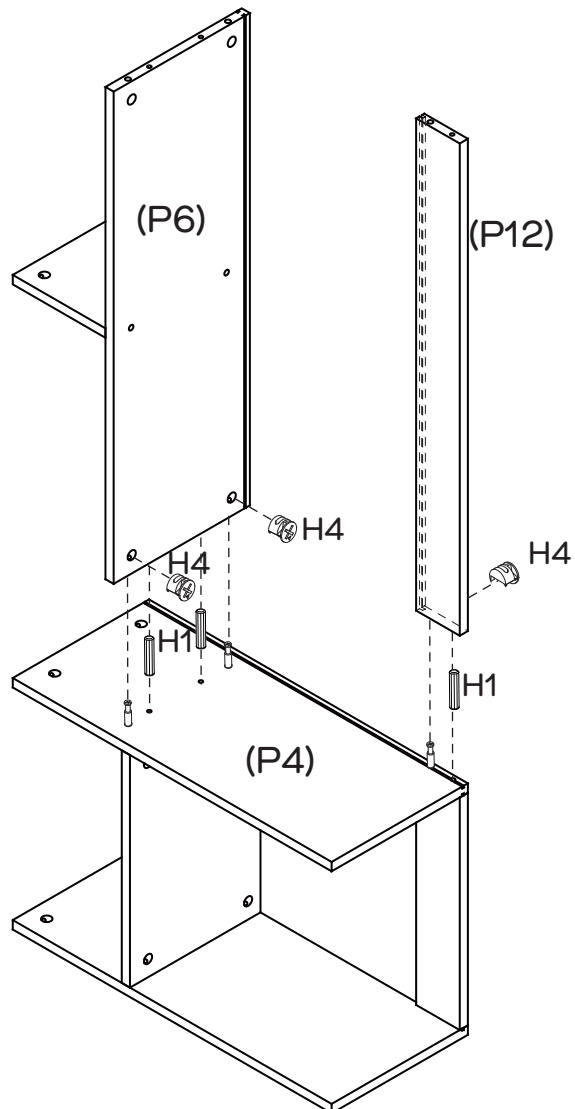
You will need	
	
2 x Dowels (H1)	2 x Large Screws (H8)
	
Phillips head screwdriver	



Insert 2 x Dowels (H1) into Shelf panel (P6), attach to Divider panel (P13) and secure with 2 x Large Screws (H8) by tightening with a Phillips Head Screwdriver.

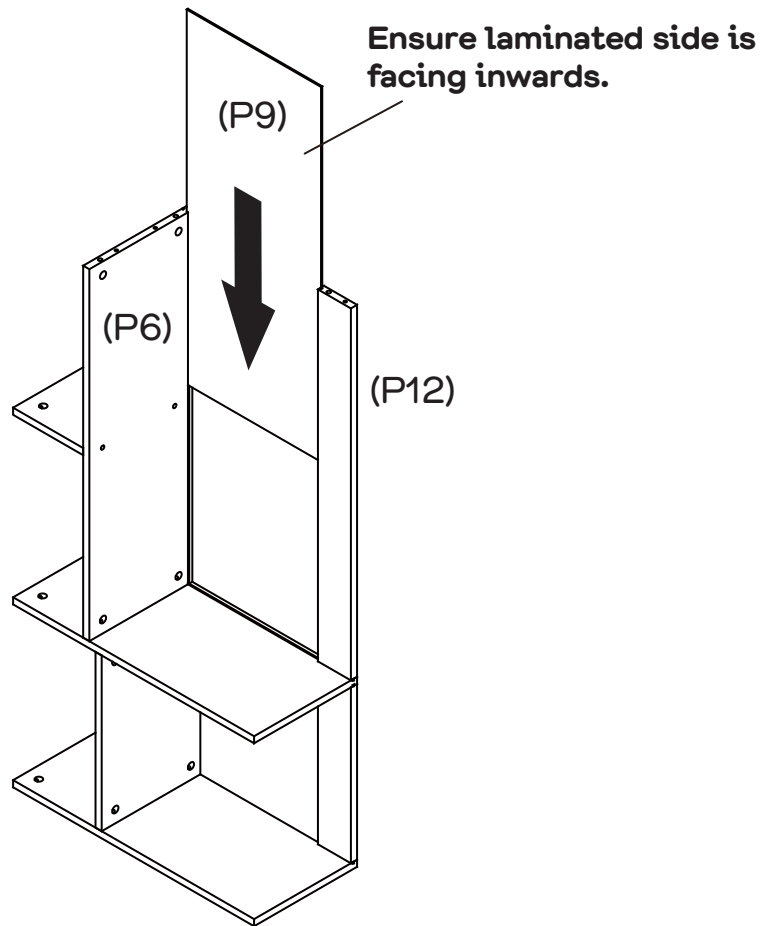
Step 8

You will need	
	
3 x Dowels (H1)	3 x Cam Nuts (H4)
	
Phillips head screwdriver	






Insert 3 x Dowels (H1) & 3 x Cam Nuts (H4) into Shelf panel (P6) and Rail (P12). Attach Divider panel (P4) to Shelf panel (P6) and Rail (P12), secure by tightening Cam Nuts (H4) with a Phillips Head Screwdriver.

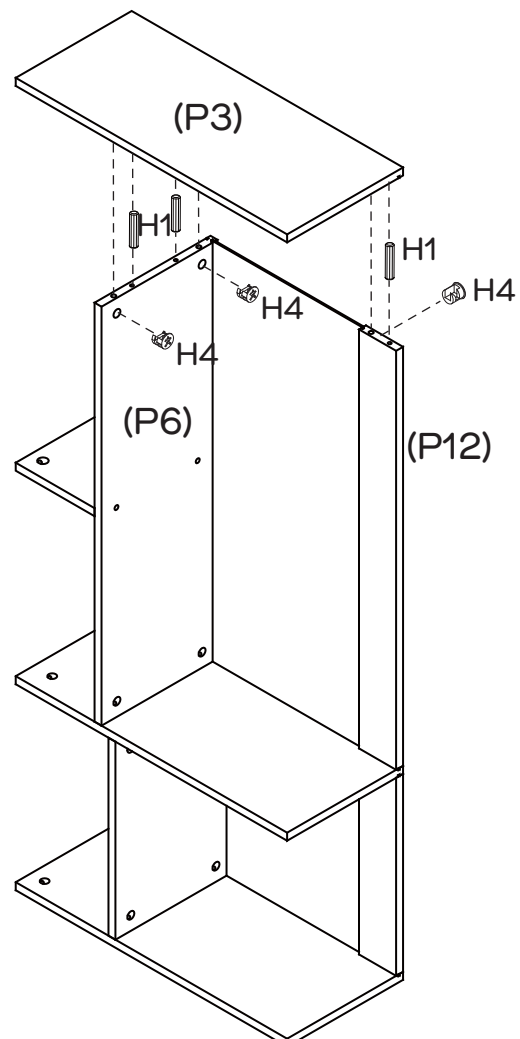
Step 9



Slide Back panel (P9) into the grooves of the Shelf panel (P6) and Rail (P12) as shown.

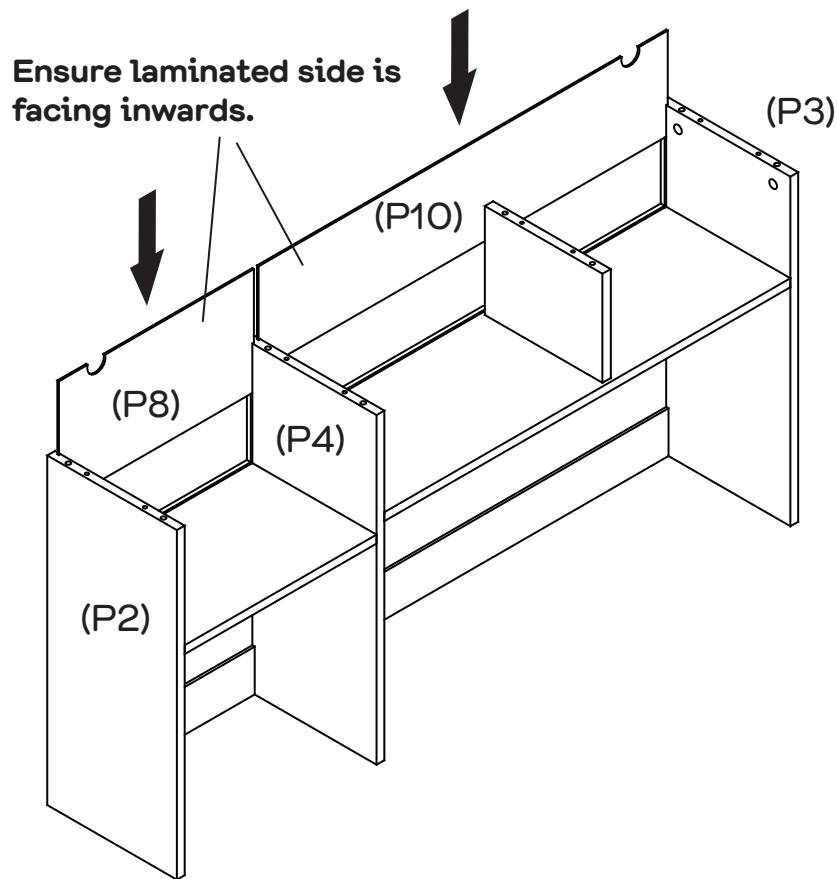
Step 10

You will need	
	
3 x Dowels (H1)	3 x Cam Nuts (H4)
	
Phillips head screwdriver	






Insert 3 x Dowels (H1) & 3 x Cam Nuts (H4) into Shelf panel (P6) and Rail (P12). Attach Right Side panel (P3) to Shelf panel (P6) and Rail (P12), secure by tightening Cam Nuts (H4) with a Phillips Head Screwdriver.

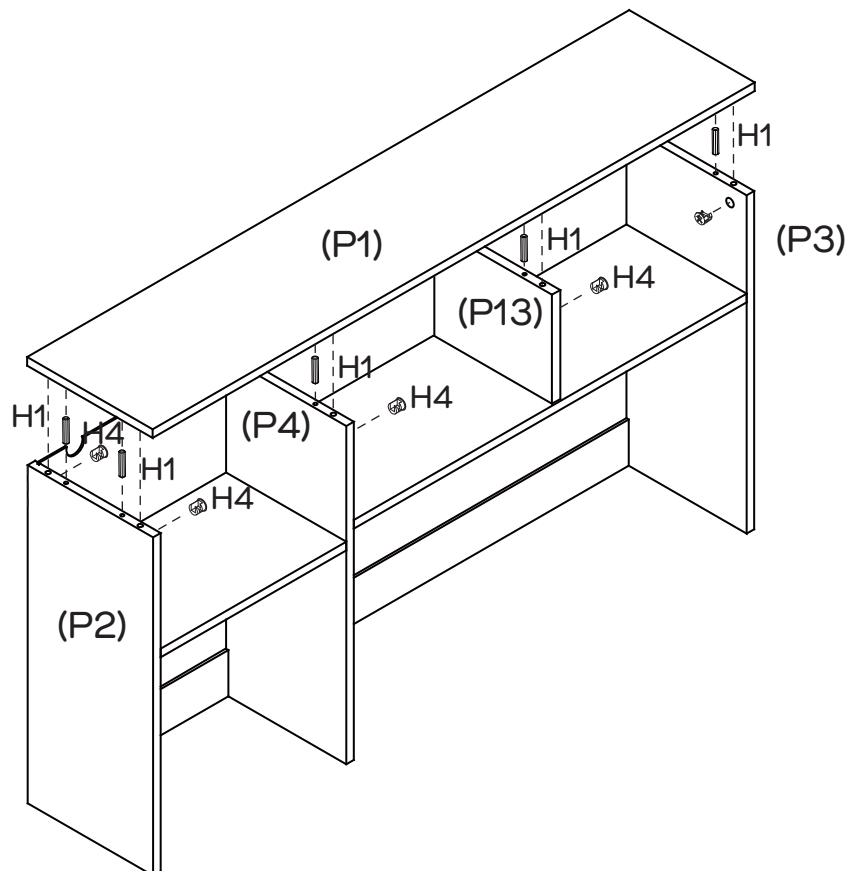
Step 11



Slide Back panels (P8) & (P10) into the grooves of the Left panel (P2), Divider panel (P4) & Right panel (P3) as shown.


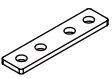
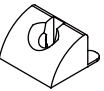

Step 12

You will need	
	
8 x Dowels (H1)	8 x Cam Nuts (H4)
	
Phillips head screwdriver	

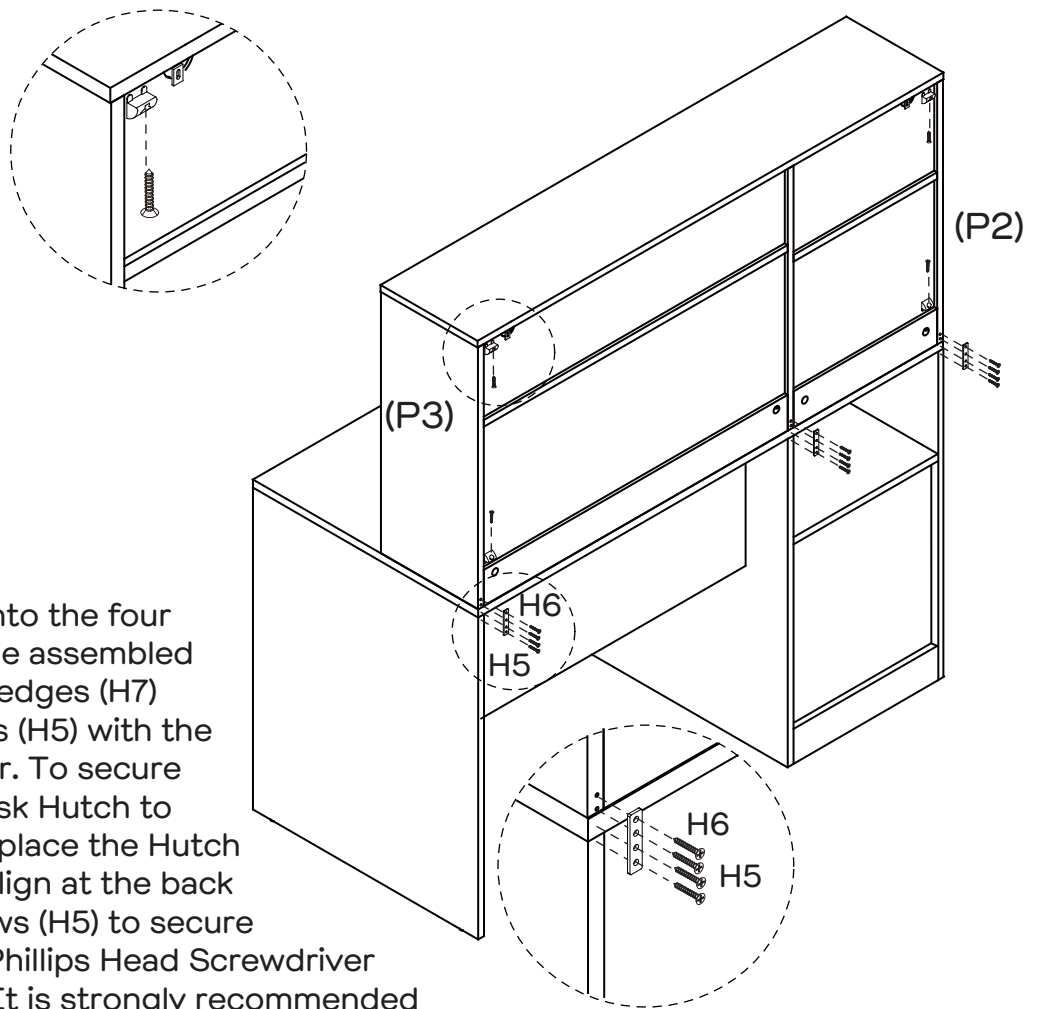


Insert 8 x Dowels (H1) & 8 x Cam Nuts (H4) into the Left Side Panel (P2), Right Side panel (P3), Divider Panel (P4) and Divider Panel (P13). Attach Top Panel (P1) to the unit and secure by tightening the Cam Nuts (H4) with the Phillips Head Screwdriver.


Step 13

You will need	
	
16 x Screws (H5)	3 x Plates (H6)
	
4 x Wedges (H7)	Phillips head screwdriver

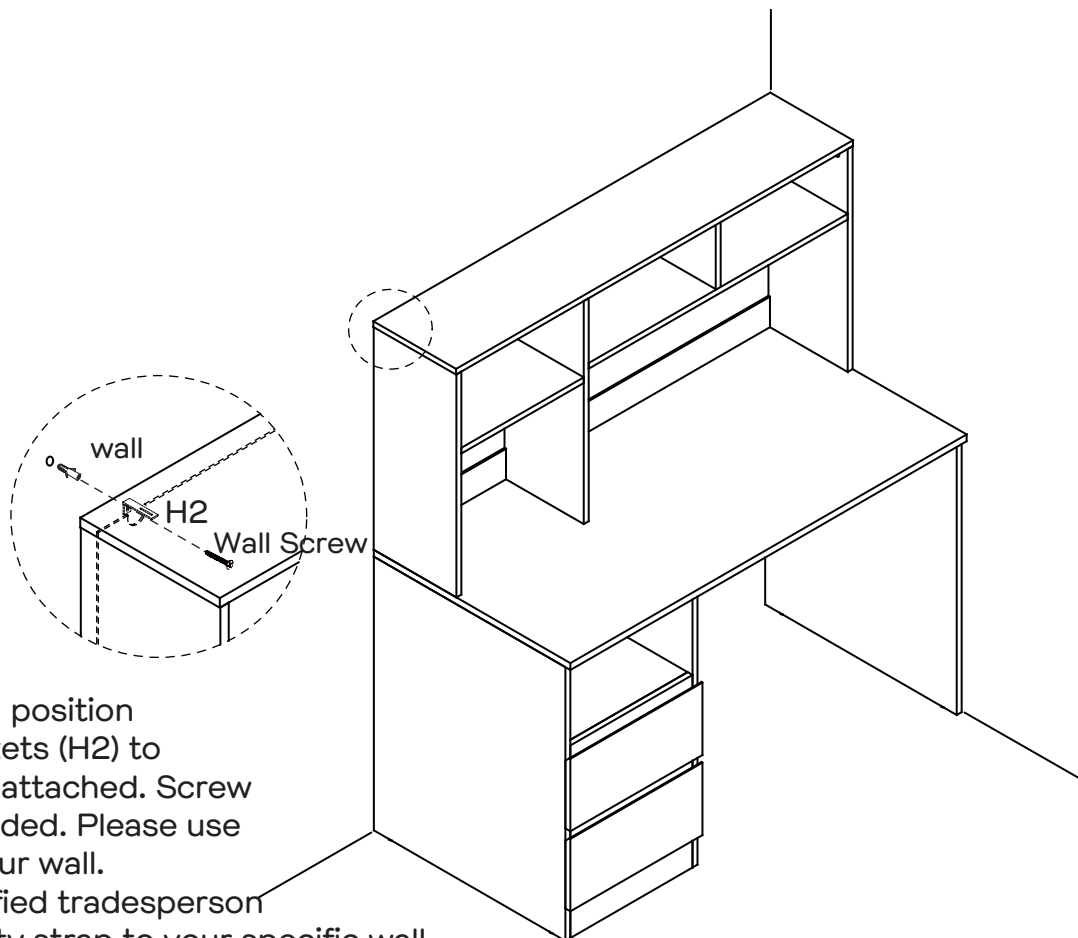
Insert 4 x Wedges (H7) into the four corners of the back of the assembled unit as shown. Secure Wedges (H7) by tightening 4 x Screws (H5) with the Phillips Head Screwdriver. To secure the assembled Como Desk Hutch to the Como Student Desk place the Hutch on top of the Desk and align at the back as shown. Use 12 x Screws (H5) to secure 3 x Plates (H6) with the Phillips Head Screwdriver to the panels as shown. It is strongly recommended that you attach the Hutch to your Desk to prevent the unit from toppling.

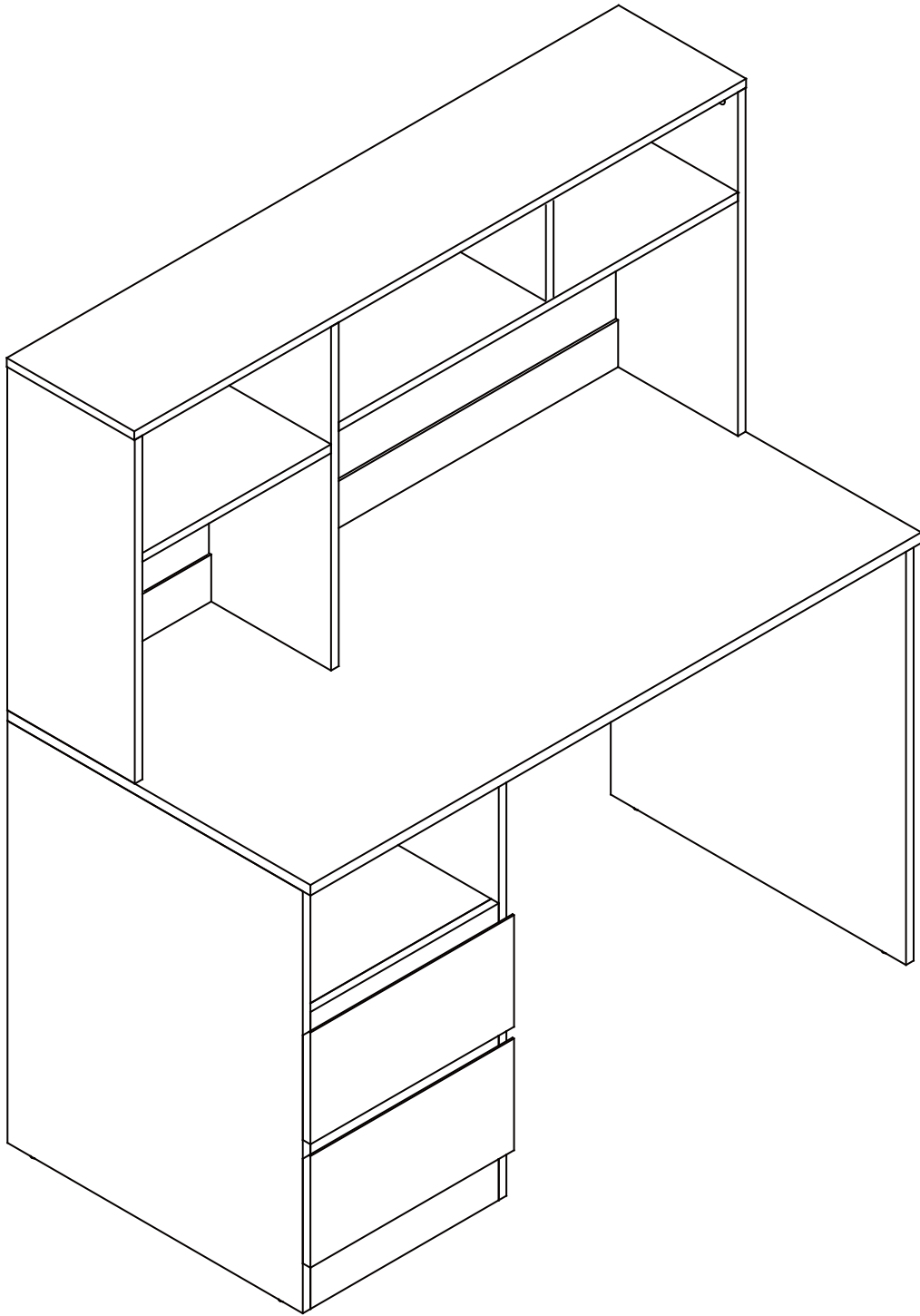


Step 14

You will need	
	
Phillips head screwdriver	
Wall Screw and Wall Plug are not provided. Please use appropriate fixtures for your wall.	

Move the unit into its final position and then secure the Brackets (H2) to the wall. Ensure it is firmly attached. Screw and wall plug are not provided. Please use appropriate fixtures for your wall.
 * Seek advice from a qualified tradesperson on how to attach this safety strap to your specific wall.





Job Complete!

In the interest of our environment please dispose of all packaging thoughtfully.