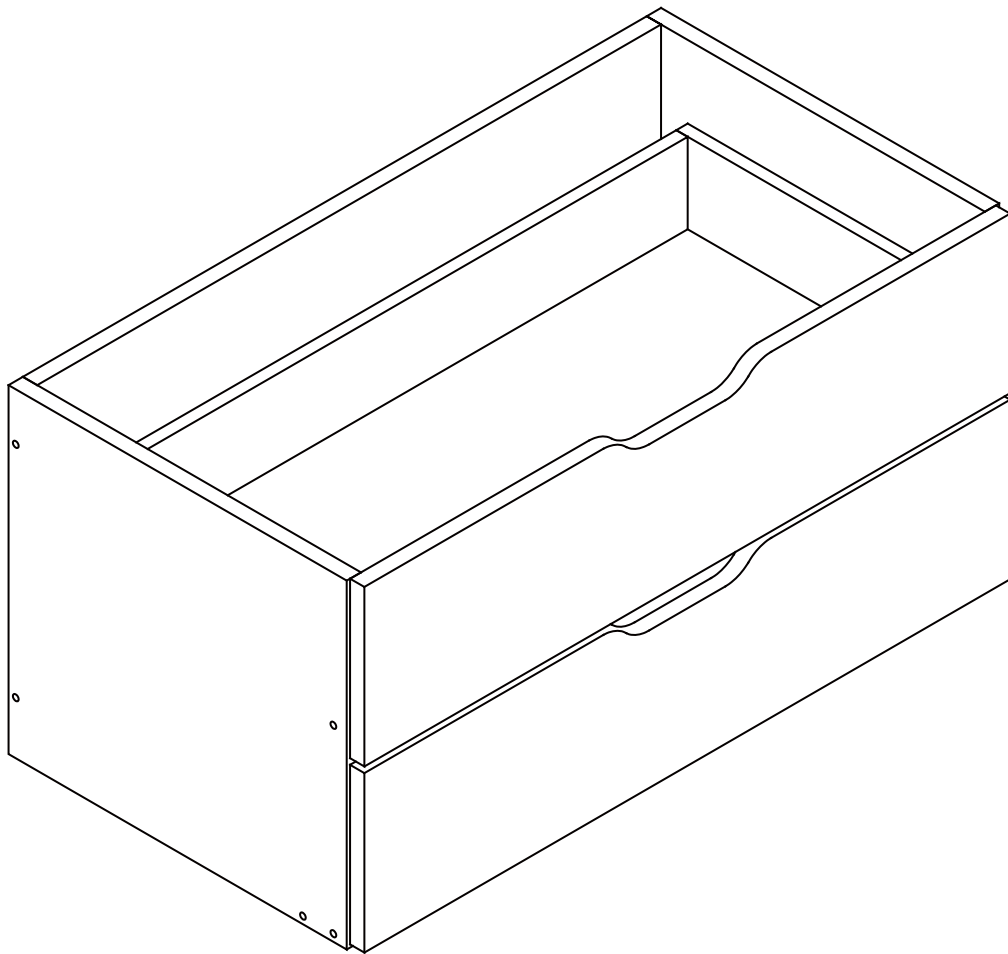




Version 1.0



CODA

INSERT 2 DRAWER

www.fantasticfurniture.com.au

Enjoy

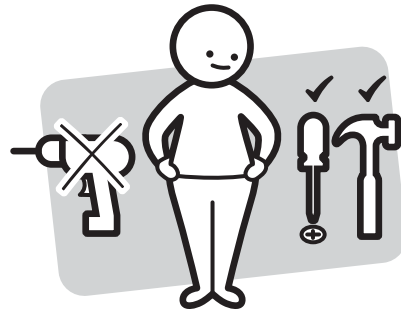
Your purchase from
Australia's Best Value Furniture Store



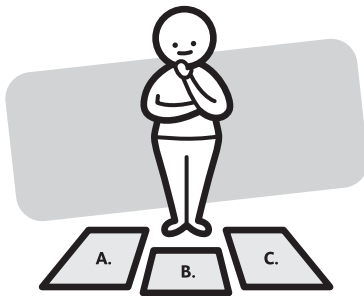
Assembly checklist



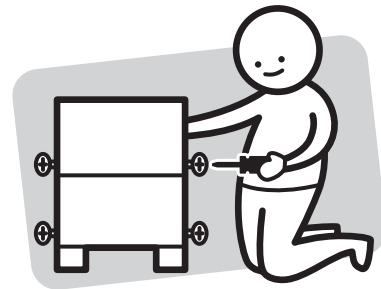
Read through the instructions carefully before you begin.



Make sure you have all the required tools. Never use power tools unless instructed.



Identify and lay out all of the components before you begin assembly.



Unless instructed, do not fully tighten screws until the item is fully assembled.

Useful Information

- ! Never use power tools unless specifically instructed. They can damage your components or hardware if used incorrectly.
- ! The most common mistakes made during assembly are using the wrong hardware or getting components back to front.
- ! Always use a soft surface (such as carpet or cardboard) when assembling your product to avoid scratching or damaging the surface of the product.
- ! Bulky items such as wardrobes and bunk beds should be assembled in the room they will be used in as they may not fit through a door once assembled.
- ! Never use any glue until you are certain that the parts belong together.
- ! Periodically check and re-tighten all fasteners. Check the product care label or website for product care instructions.
- ! If you are having any difficulties assembling your product, missing any hardware or components please visit our website Help Centre for further assistance.

What you need to assemble the product

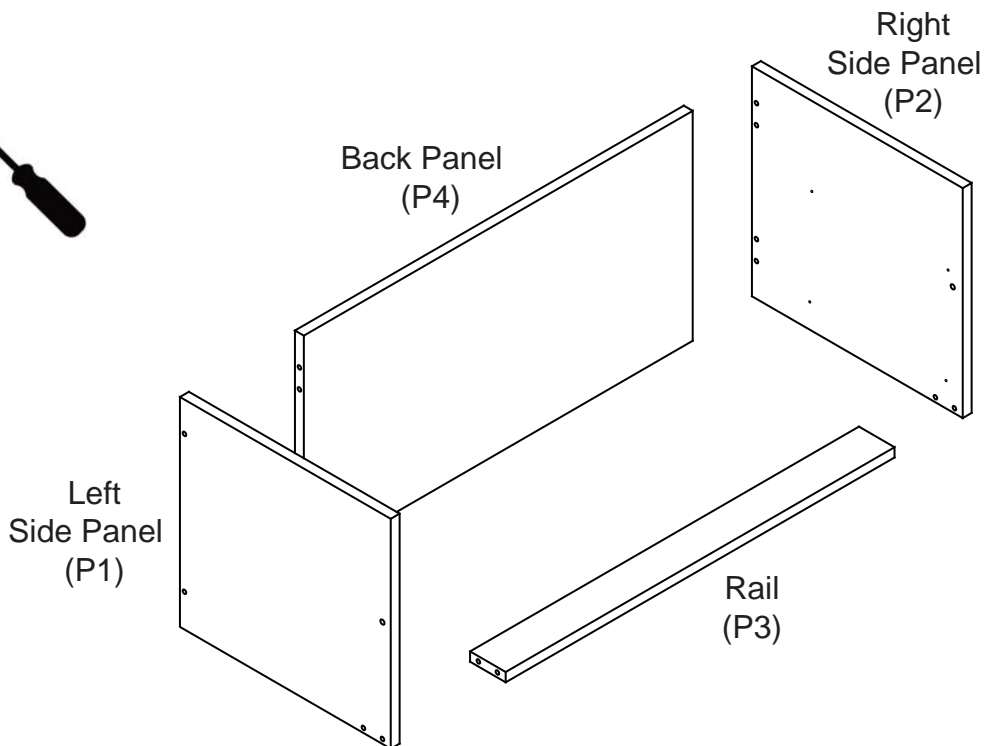


DO NOT USE



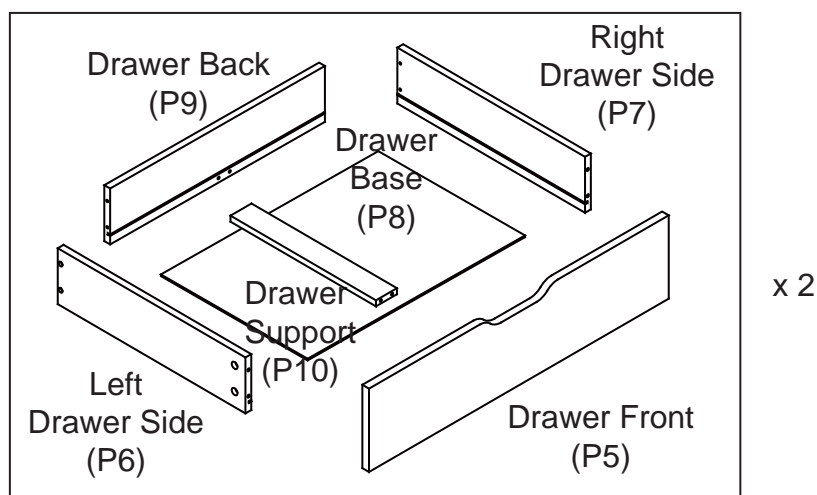
Additional Tools Required

Flat head screwdriver;
Phillips head screwdriver;

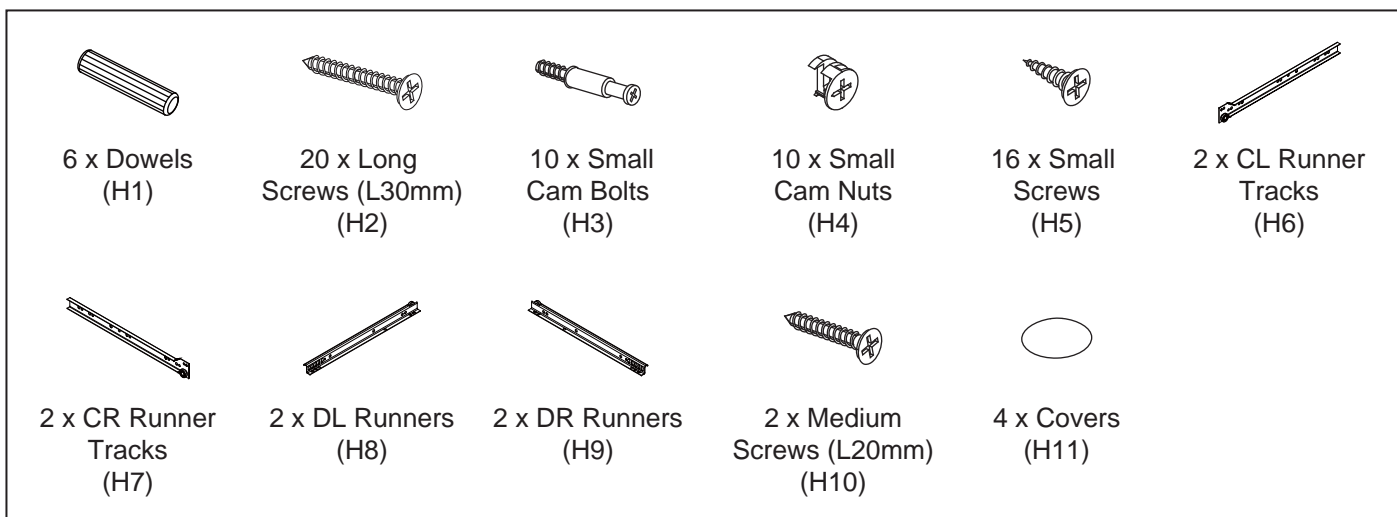


Parts list

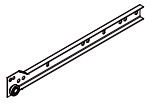
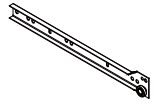


Box 1: Left Side Panel (P1);
Right Side Panel (P2);
Rail (P3);
Back Panel (P4);
2 x Drawer Fronts (P5);
2 x Left Drawer Sides (P6);
2 x Right Drawer Sides (P7);
2 x Drawer Bases (P8);
2 x Drawer Backs (P9);
2 x Drawer Supports (P10);

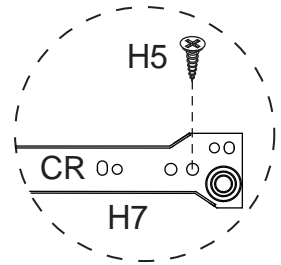
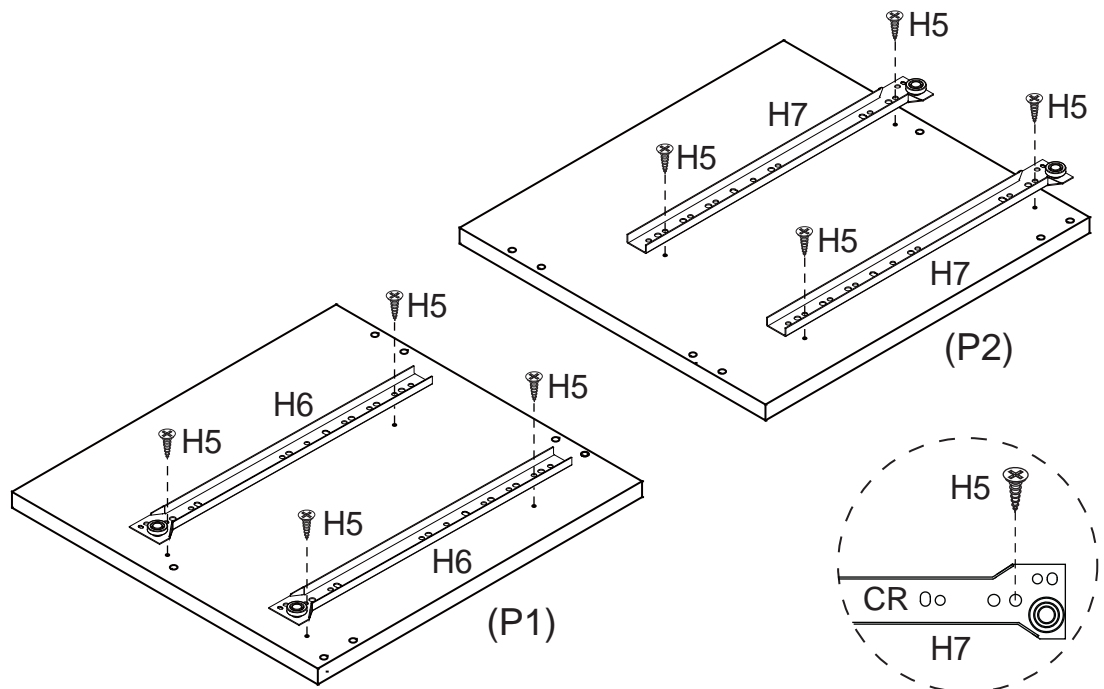
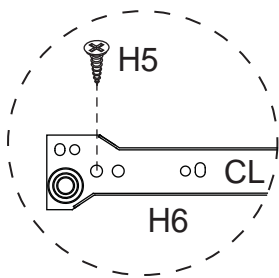


Hardware Pack



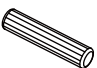


Step 1

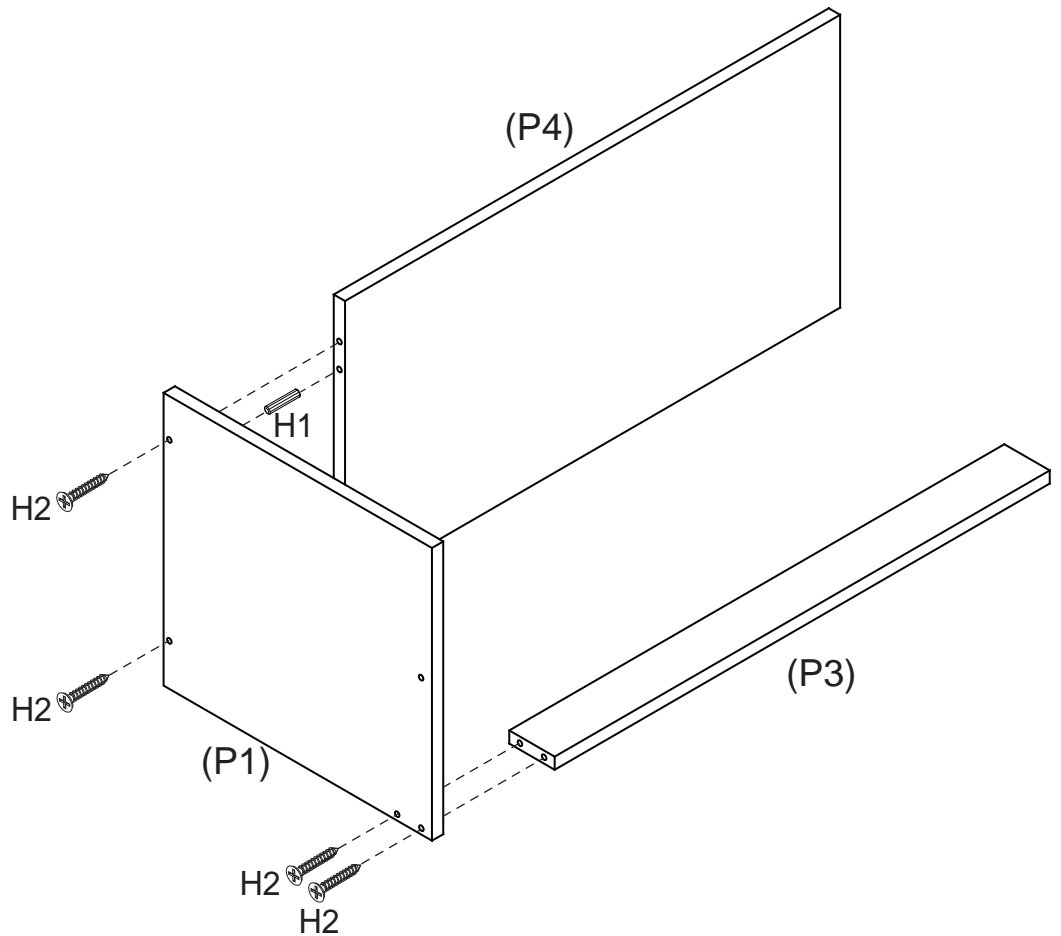
You will need	
	
2 x CL Runner Tracks (H6)	2 x CR Runner Tracks (H7)
	
8 x Small Screws (H5)	Phillips head screwdriver



Attach 2 x CL Runner Tracks (H6) to Left Side Panel (P1) with 4 x Small Screws (H5).
 Attach 2 x CR Runner Tracks (H7) to Right Side Panel (P2) with 4 x Small Screws (H5).

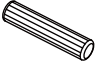


Step 2

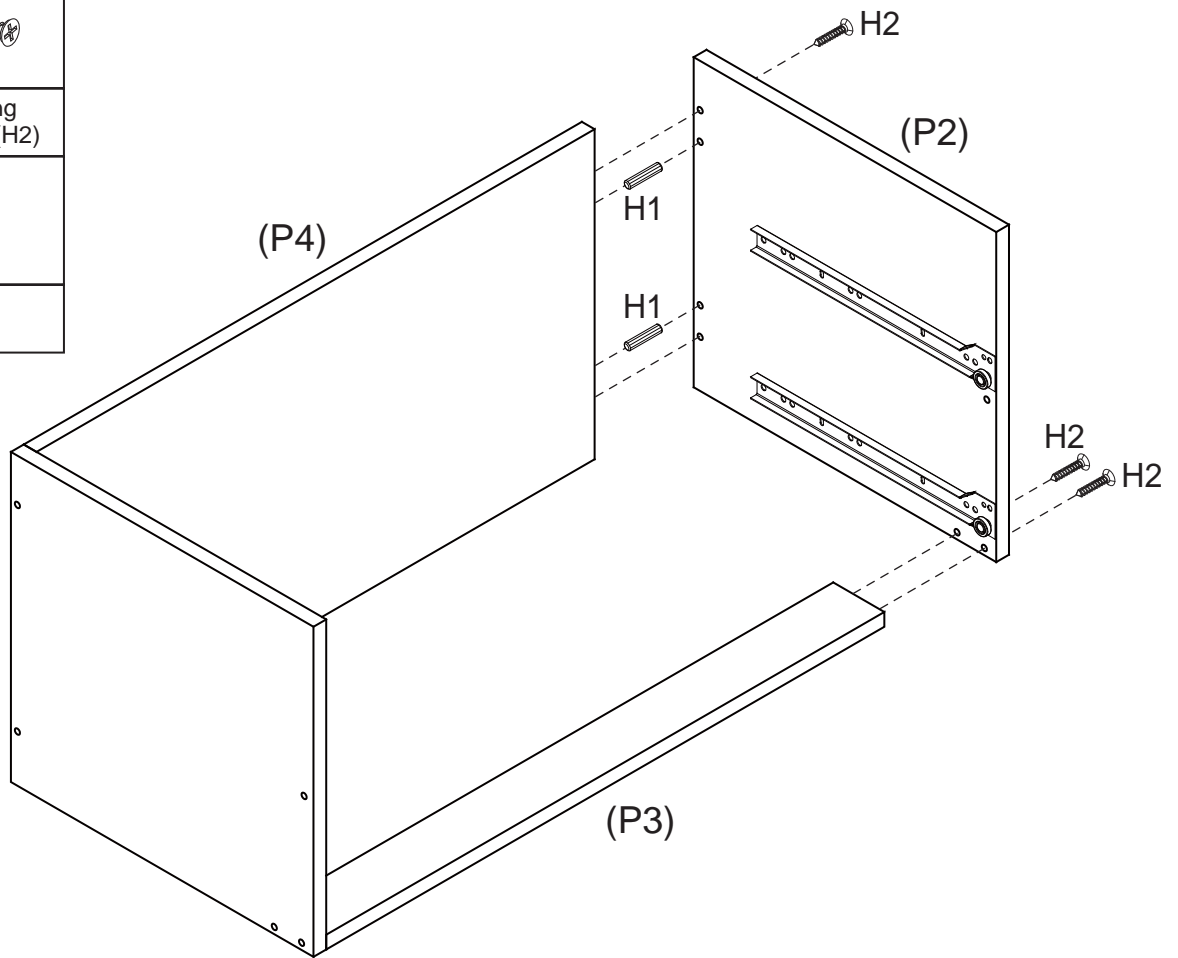
You will need	
	
2 x Dowels (H1)	4 x Long Screws (H2)
	
Phillips head screwdriver	



Insert 2 x Dowels (H1) into the holes of Left Side Panel (P1) as shown.
 Attach Back Panel (P4) and Rail (P3) to Left Side Panel (P1) with 4 x Long Screws (H2) using a Phillips head screwdriver.

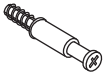

Step 3

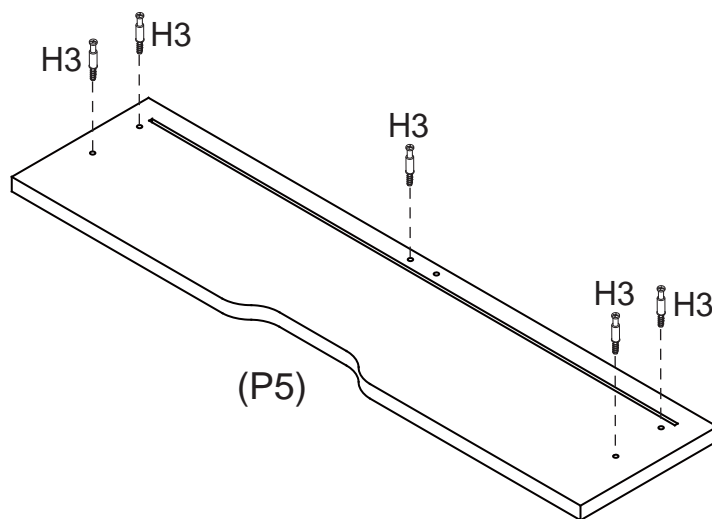
You will need	
	
2 x Dowels (H1)	4 x Long Screws (H2)
	
Phillips head screwdriver	



Insert 2 x Dowels (H1) into the holes of Back Panel (P4) as shown.
Attach Right Side Panel (P2) to Back Panel (P4) and Rail (P3) with 4 x Long Screws (H2).
Tighten the screws with a Phillips head screwdriver.

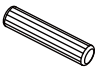


Step 4

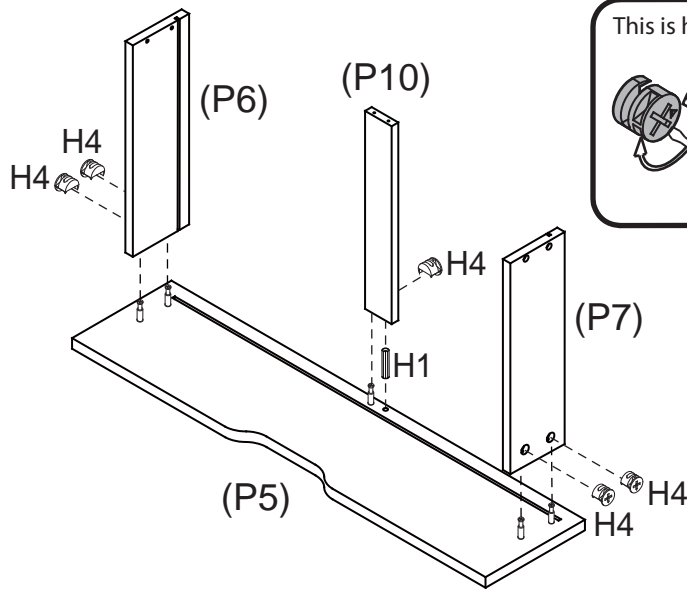
You will need	
	
5 x Small Cam Bolts (H3)	Phillips head screwdriver



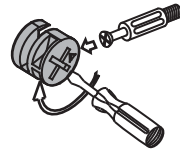
Screw 5 x Small Cam Bolts (H3) into Drawer Front (P5) with a Phillips head screwdriver.

Step 5

You will need	
	
1 x Dowel (H1)	5 x Small Cam Nuts (H4)
	
Flat head screwdriver	



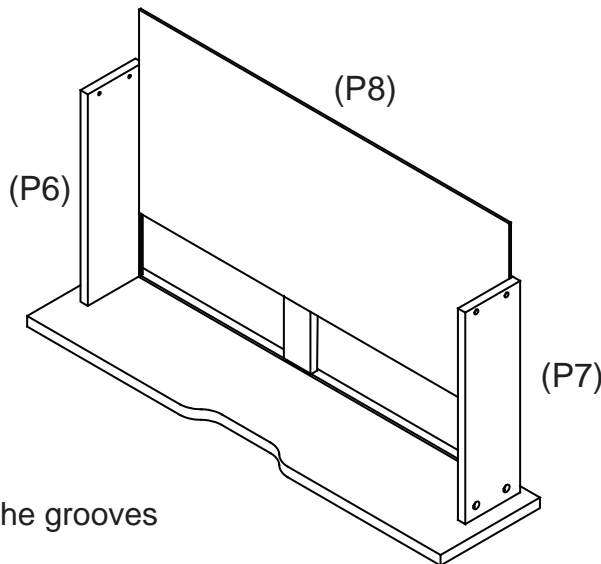
This is how a cam nut works.....



The head of the cam bolt goes into the open mouth of the cam nut. You then turn the cam nut so it tightens over the bolt.



Insert 1 x Dowel (H1) into Drawer Front (P5) as shown.
 Insert 5 x Small Cam Nuts (H4) into the holes of Drawer Sides (P6, P7) and Drawer Support (P10).
 Rotate the cam nuts so the arrows point towards the incoming cam bolts.
 Align the holes together, secure Drawer Sides (P6, P7) and Drawer Support (P10) into place, tighten the cam nuts using a Flat head screwdriver.

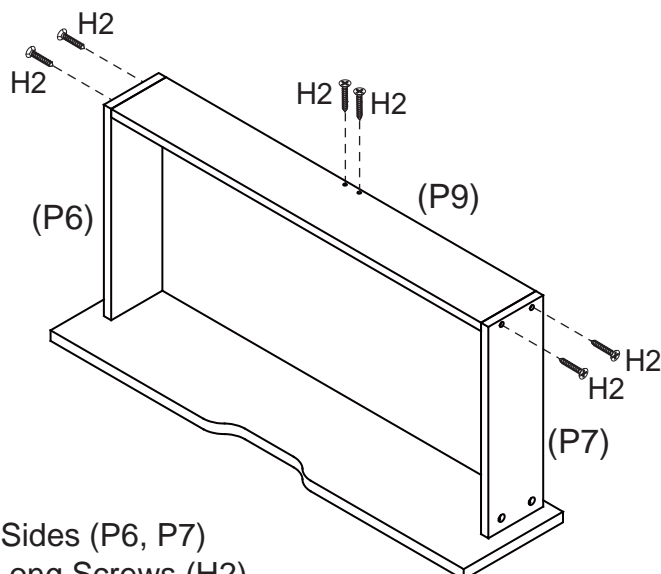
Step 6



Slide Drawer Base (P8) in through the grooves on Drawer Sides (P6, P7).

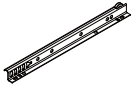
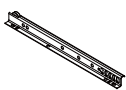


Step 7

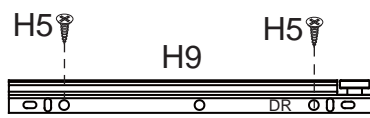
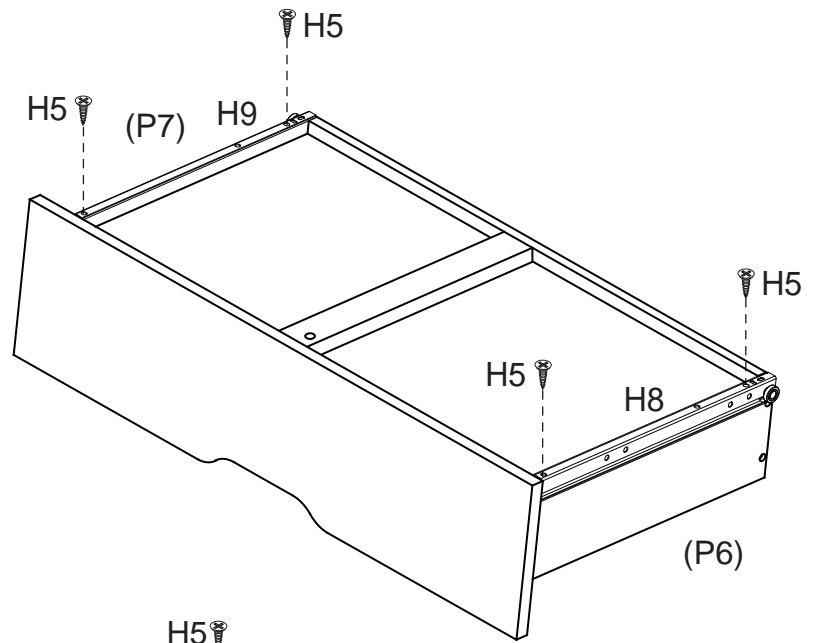
You will need	
	
6 x Long Screws (H2)	Phillips head screwdriver



Attach Drawer Back (P9) to Drawer Sides (P6, P7) and Drawer Support (P10) with 6 x Long Screws (H2), make sure that the groove lines up the whole way around the drawer. Tighten the screws using a Phillips head screwdriver.

Step 8

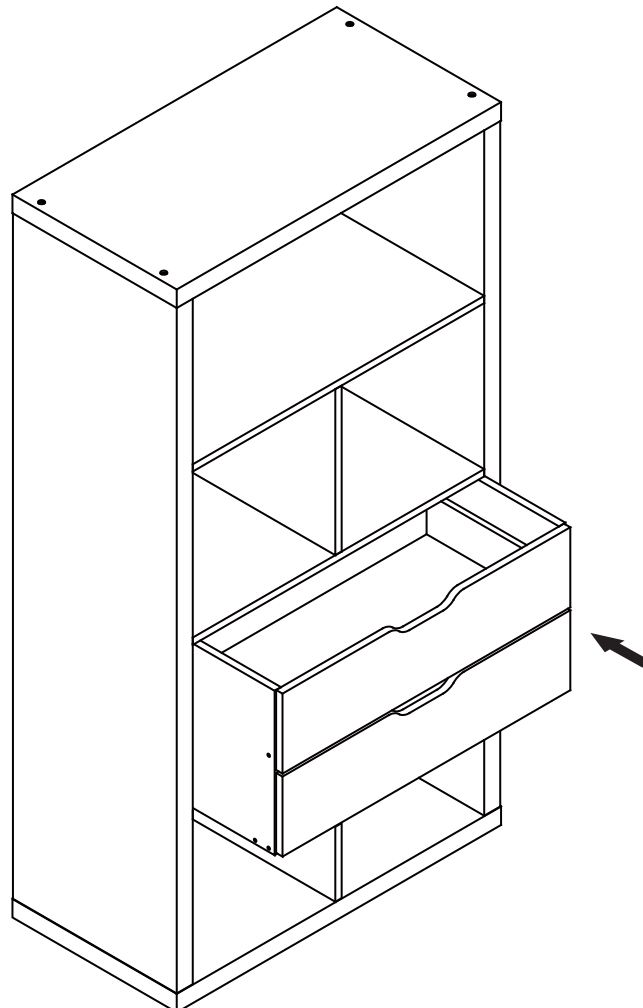
You will need	
	
1 x DL Runner (H8)	1 x DR Runner (H9)
	
4 x Small Screws (H5)	Phillips head screwdriver



Attach 1 x DL Runner (H8) to the bottom of Left Drawer Side (P6) and 1 x DR Runner (H9) to the bottom of Right Drawer Side (P7) with 4 x Small Screws (H5). Tighten Screws using a Phillips head screwdriver.




Repeat Step 4 to Step 8 to assemble another drawer.

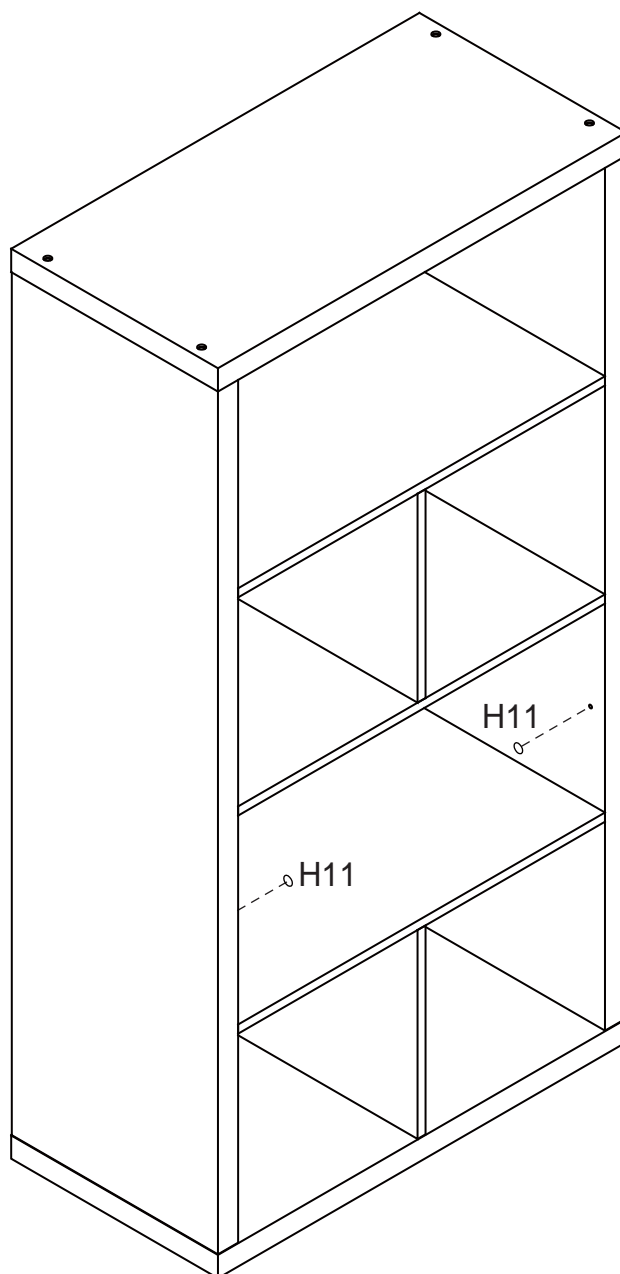
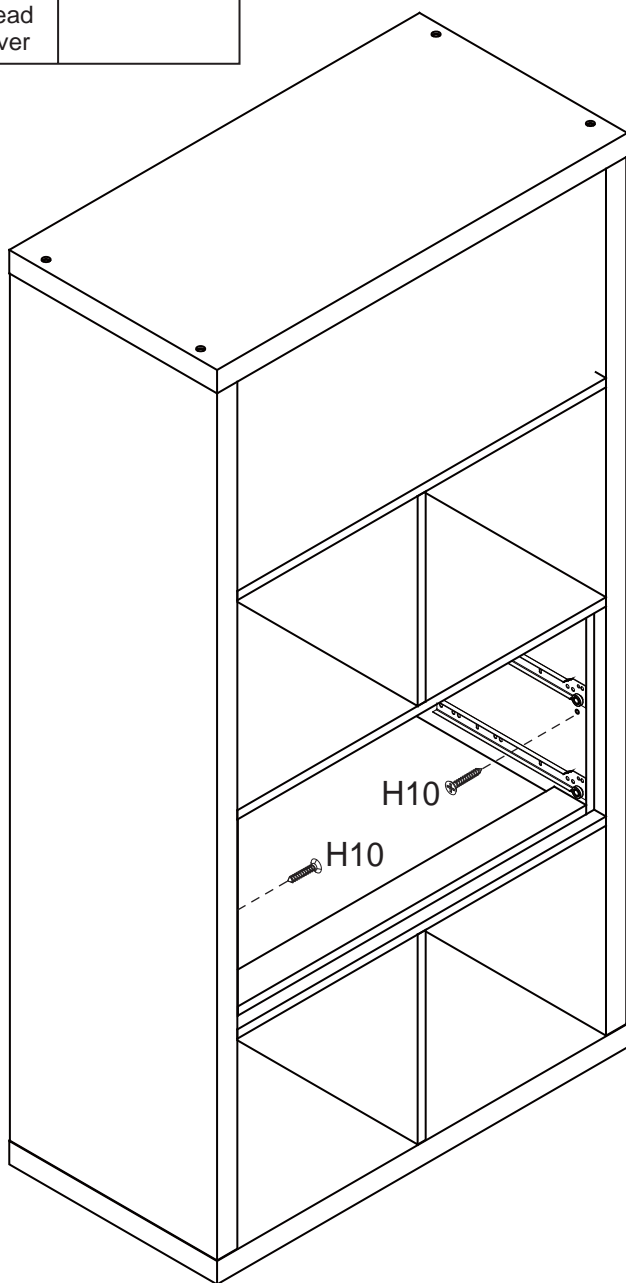
Step 9



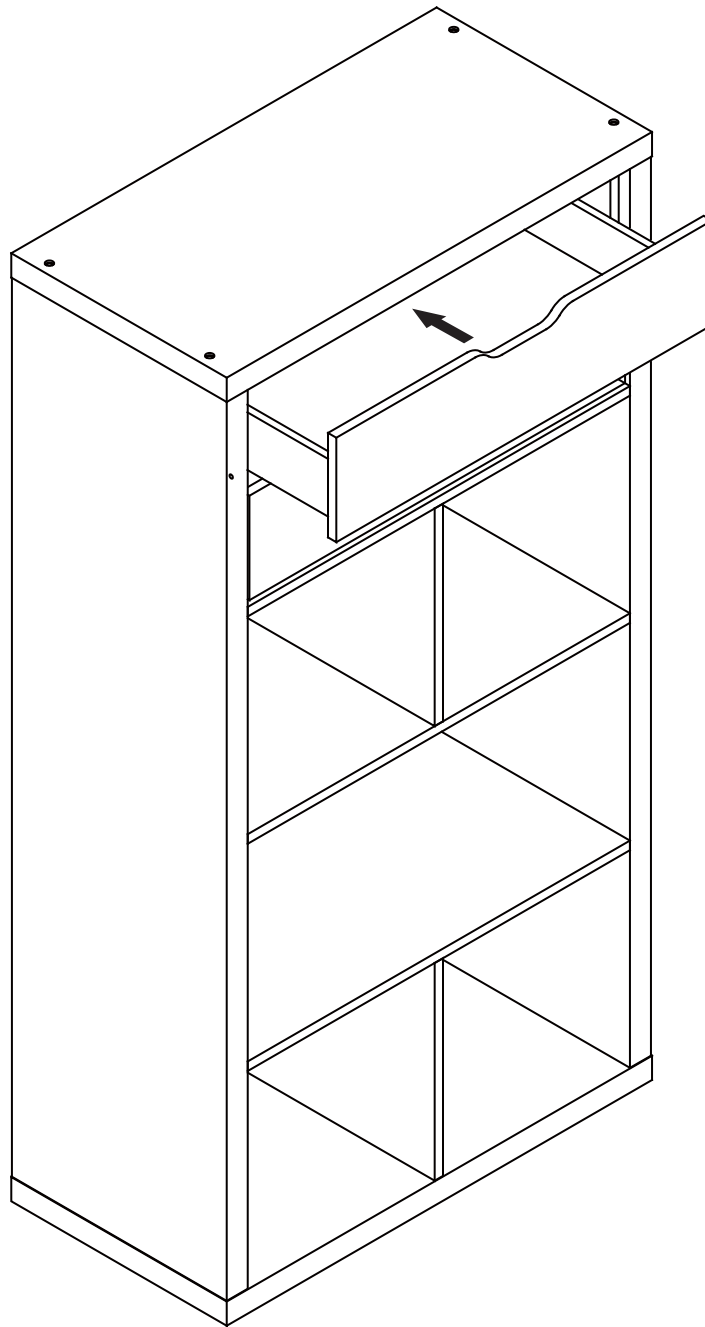
Put the insert cabinet into the bookcase, make sure the drawer front of insert cabinet is flush with the edge of shelf.

Step 10

You will need	
	
2 x Medium Screws (H10)	2 x Covers (H11)
	
Phillips head screwdriver	



Take down the drawers from the insert cabinet carefully.
Attach the cabinet to the bookcase with 2 x Medium Screws (H10) using a Phillips head screwdriver.
If you'd like to adjust the insert cabinet or remove it, please seal the holes with the Covers (H11).



Put the drawers into the cabinet as shown.

Recommended weight capacity: 5KG.

Job Complete!

In the interest of our environment please dispose of all packaging thoughtfully.