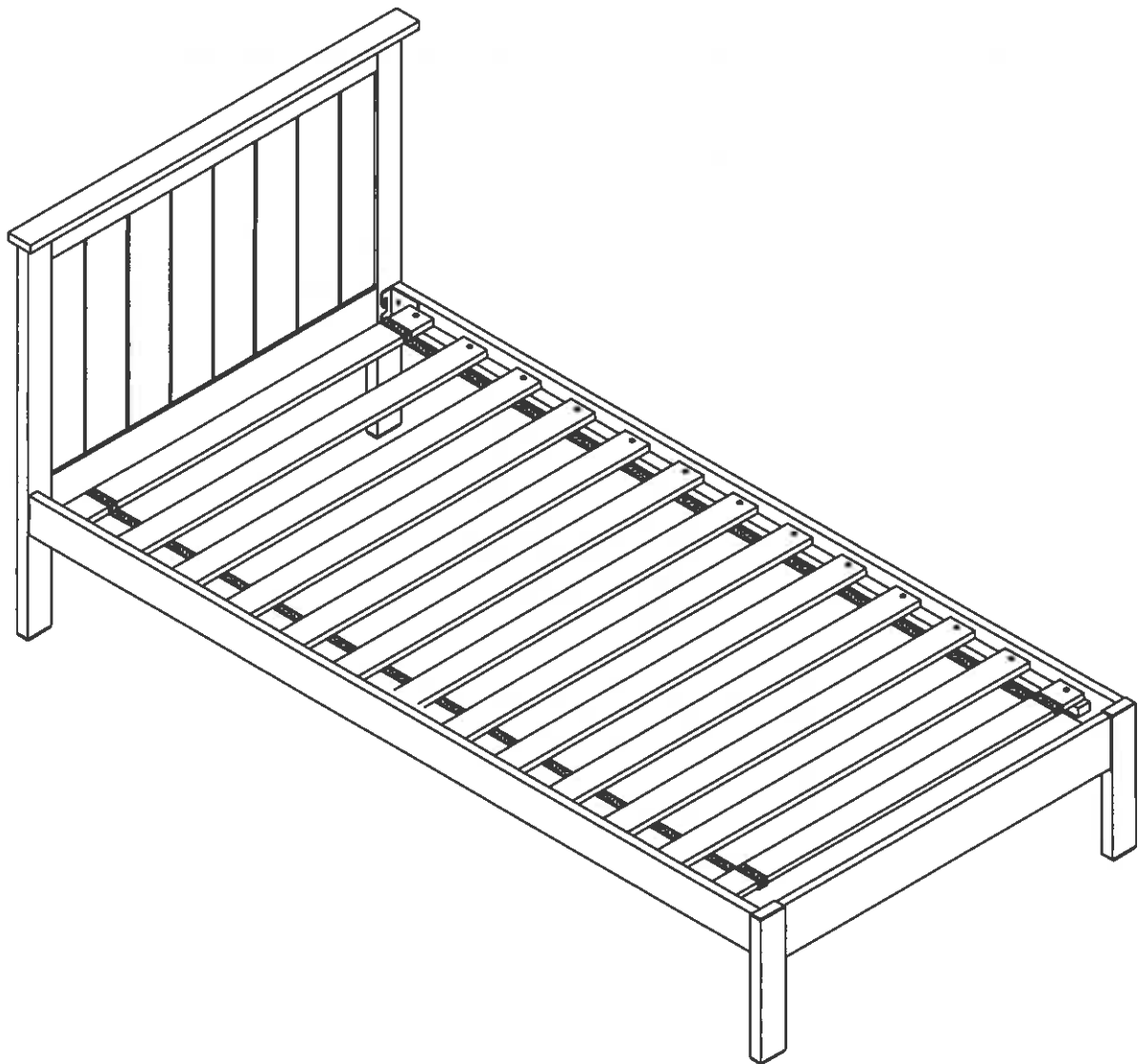




**Fantastic
Furniture**

Version 1.0



Two People



Required

Jordan
Bed Single

fantasticfurniture.com.au

Looks like you've found your Fantastic!

We're thrilled you've chosen Fantastic Furniture
to help create a home you'll love!



Fantastic Furniture

Love it? Share it!

Fantastic buy! Share how it looks at home on Instagram for
your chance to win a \$250 Fantastic Furniture Gift Card!
[@fantasticfurniture](#)

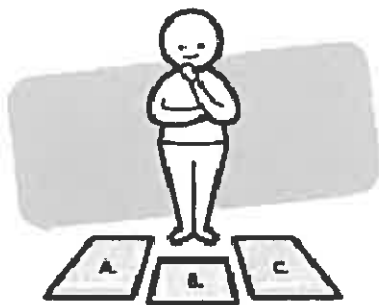
Assembly Checklist



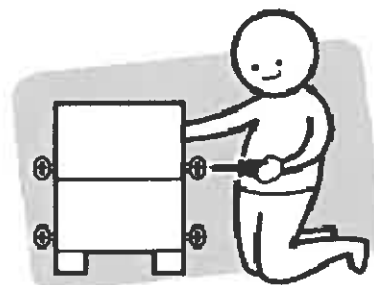
Read through instructions carefully before you begin



Make sure you have all the required tools. Never use power tools unless instructed.



Identify and lay out all of the components before you begin assembly.



Unless Instructed, do not fully tighten screws until the item is fully assembled.

Useful Information

- ! Never use power tools unless specifically instructed. They can damage your components or hardware if used incorrectly.
- ! The most common mistake made during assembly are using the wrong hardware or getting components back to front.
- ! Always use a soft surface (such as carpet or cardboard) when assembling your product to avoid scratching or damaging the surface of the product.
- ! Bulky items such as wardrobes and bunk beds should be assembled in the room they will be used as they may not fit through a door once assembled.
- ! Never use any glue until you are certain that the parts belong together.
- ! Periodically check and re-tighten all fasteners. Check the product care label or website for product care instructions.
- ! If you are having any difficulties assembling your product, missing any hardware or components please visit our website Help Centre for further assistance.
- ! Please see page 2 for any safety requirements or weight restrictions.

What you need to assemble the product

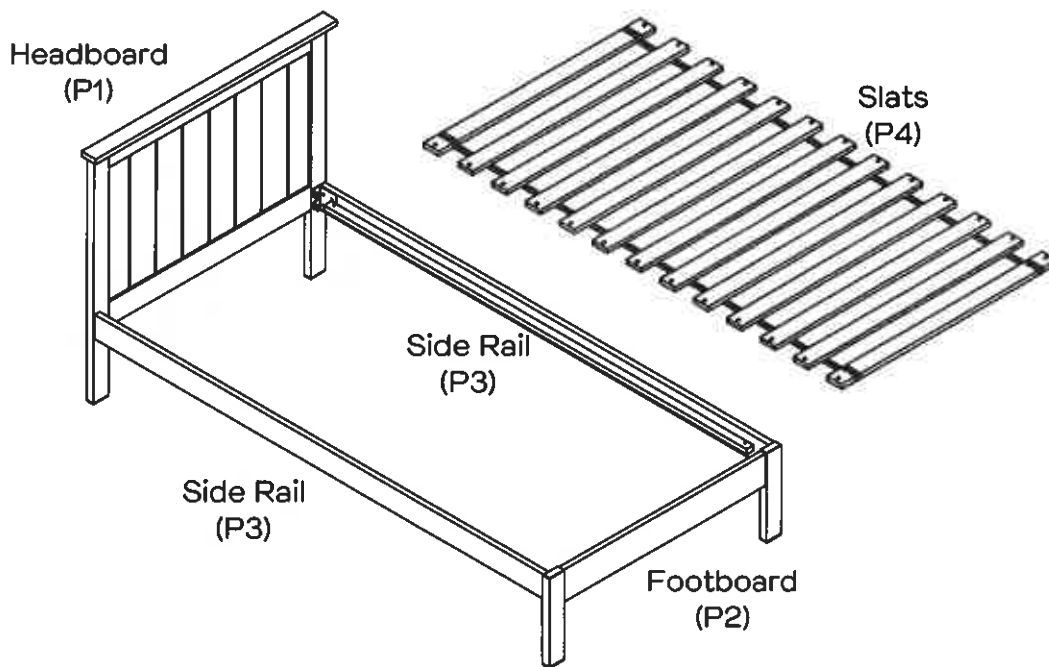


DO NOT USE



Other tools you need :

Phillips head screwdriver;



Part list

Box 1 : Side Rails (P3), Hardware Pack.

Box 2 : Headboard (P1), Footboard (P2).

Box 3 : Slats (P4).

Hardware pack



8 x Bolts
(H1)





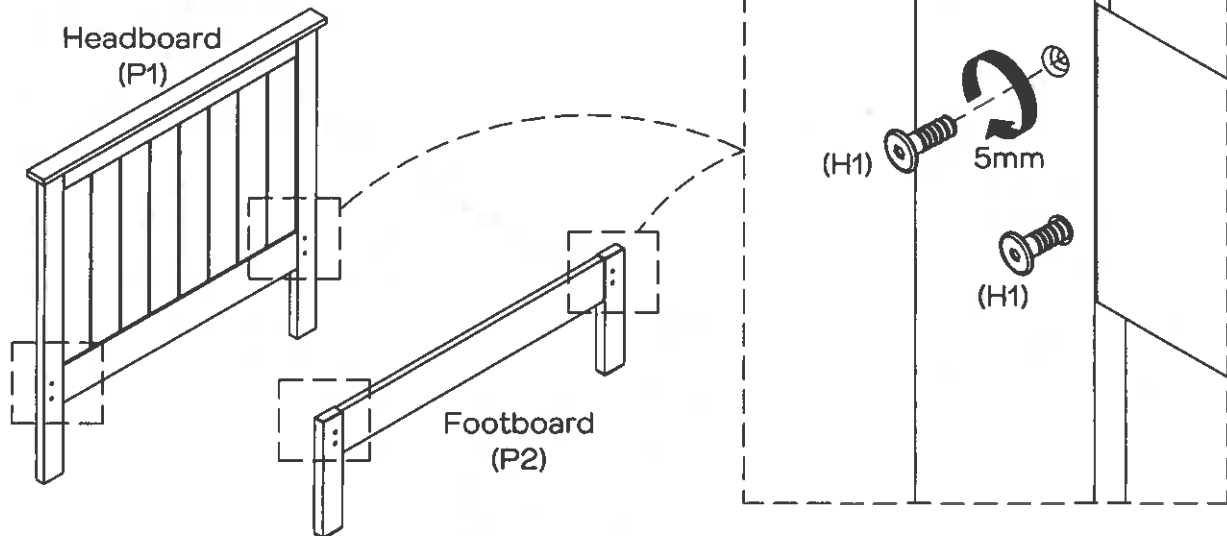
26 x Wood Screws
(H2)



1 x Allen Key
(H3)

Step 1

You will need	
	
8 x Bolts (H1)	1 x Allen Key (H3)



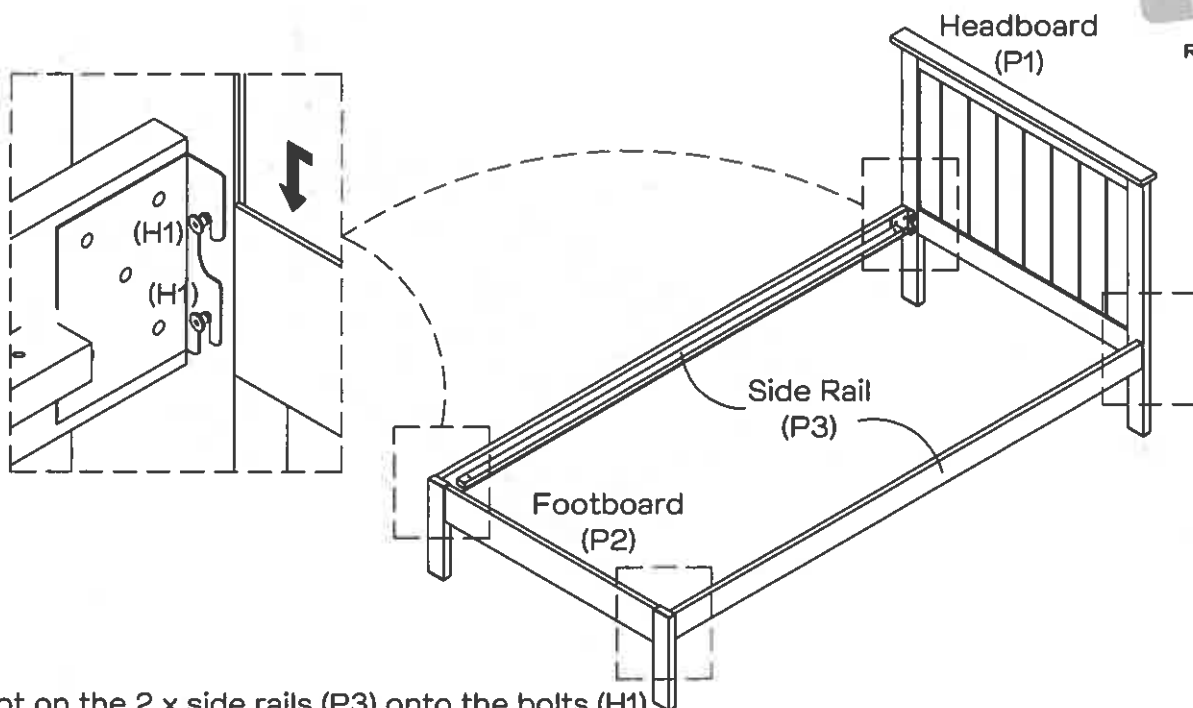
Fix 8 x bolts (H1) into the headboard & footboard (P1 & P2) about 5mm with the allen key (H3) or by hand. Do not fully tighten, as you need to slot on the side rails in the next step.

Step 2

Two People




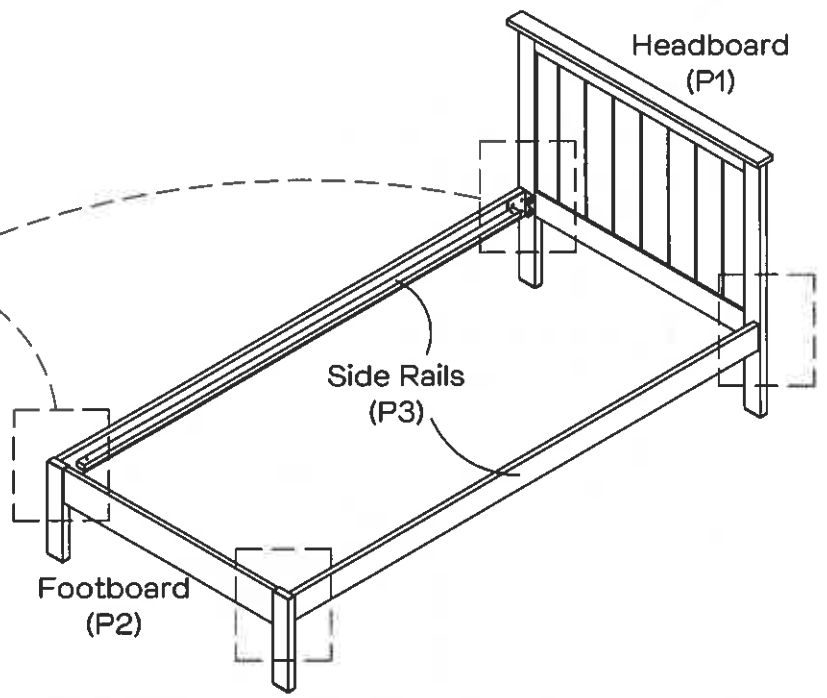
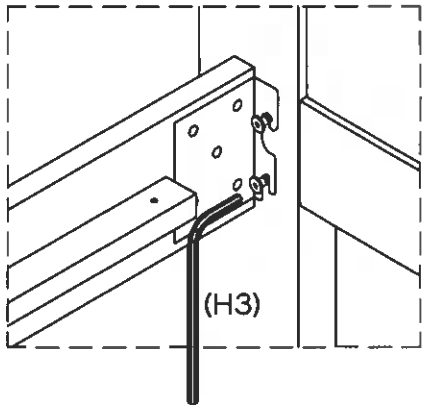
Required



Slot on the 2 x side rails (P3) onto the bolts (H1) on the headboard (P1) and footboard (P2) as shown.



Step 3

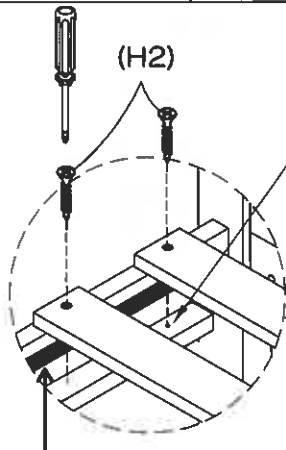
You will need	
	
1 x Allen Key (H3)	



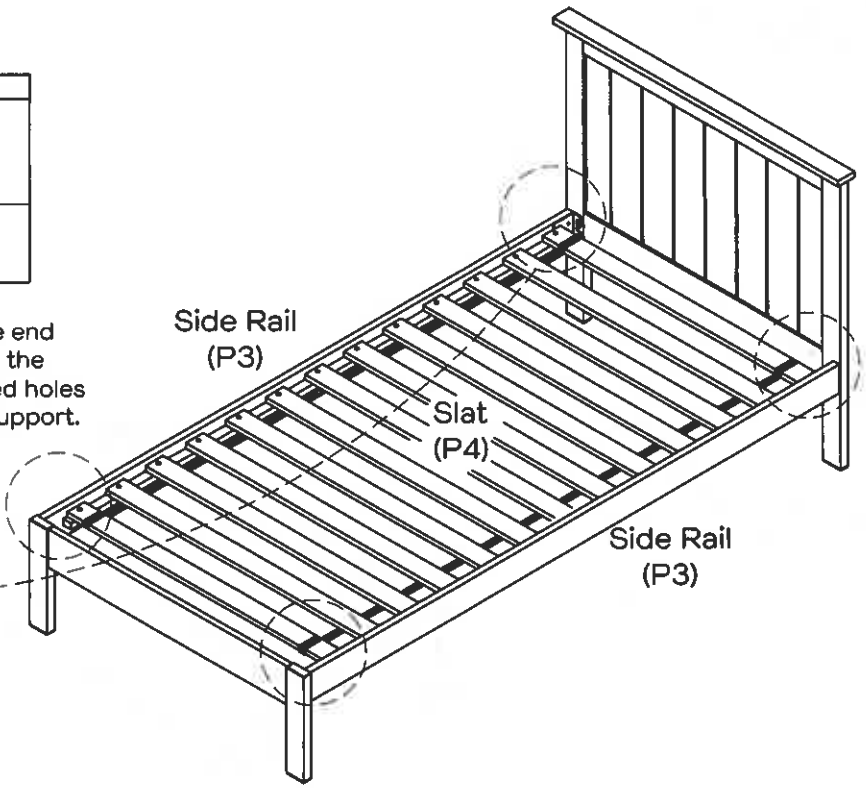
Tighten 8 x bolts (H1) by using the allen key (H3). Ensure the bolts (H1) are fully tightened.

Step 4

You will need	
	
26 x Wood Screws (H2)	Phillips Head Screwdriver



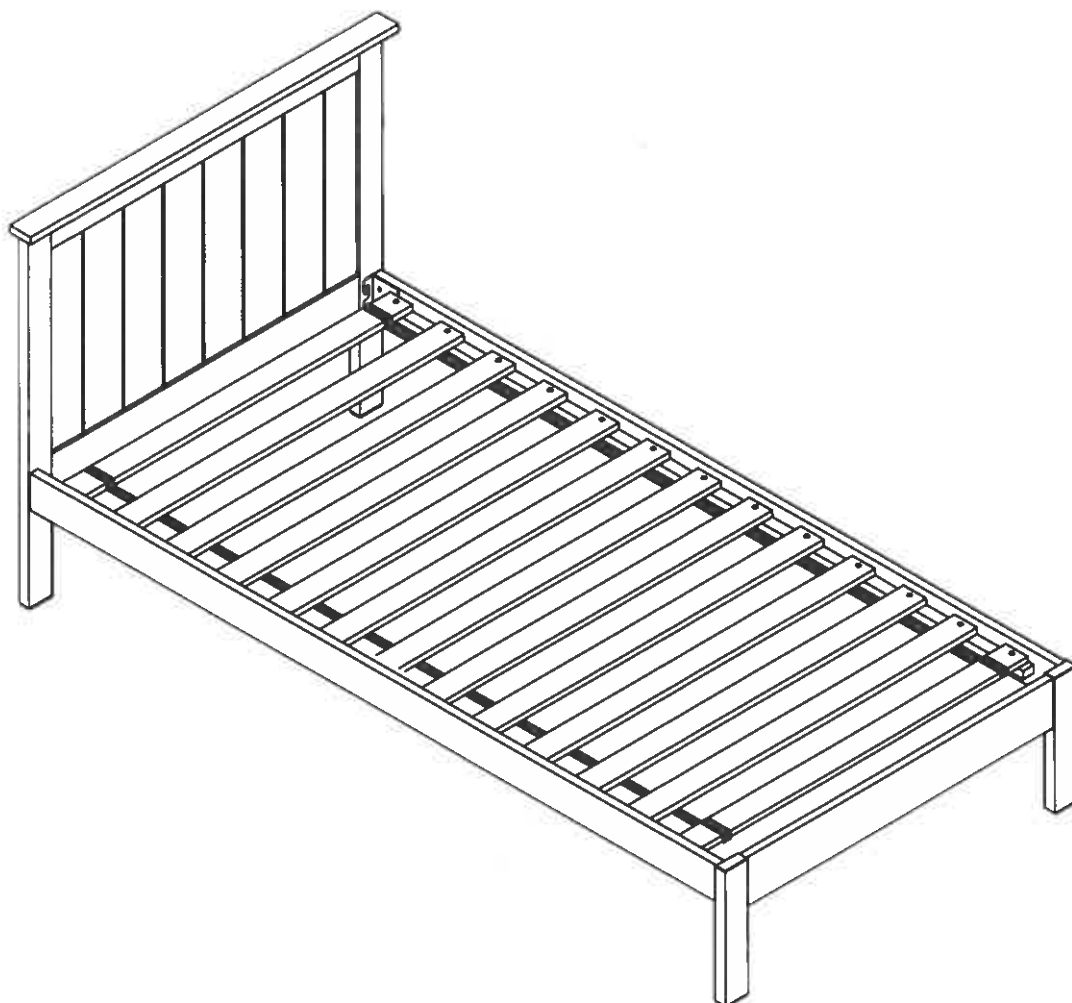
Align the end screw to the pre-drilled holes on slat support.



Strap facing down

Fix the slats (P4) on to both side rails (P3) by using 26 x wood screws (H2). Secure by tightening 26 x wood screws (H2) with a phillips head screwdriver.

Step 5



Job Complete!

In the interest of our environment please dispose of all packaging thoughtfully.

