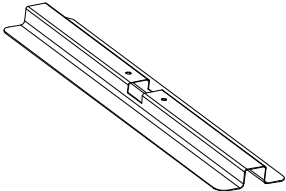
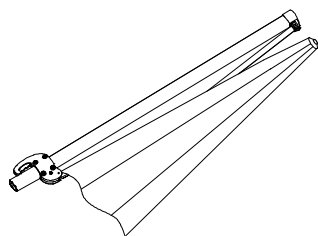
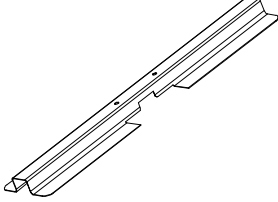
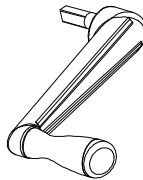

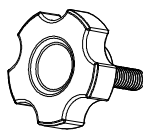
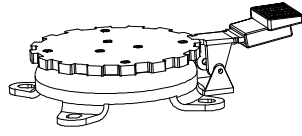

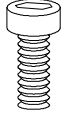
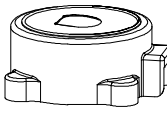
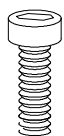
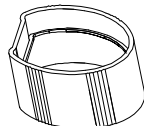
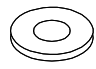
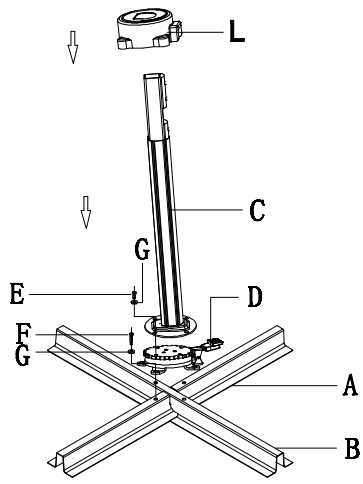
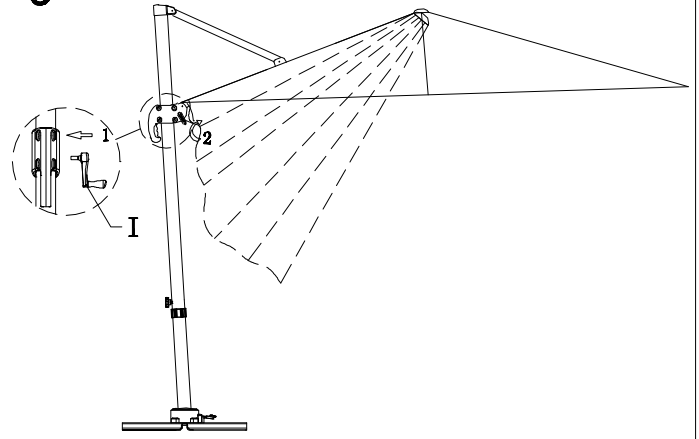


PART	PICTURE	QTY	PART	PICTURE	QTY
A		1	H		1
B		1	I		1
C		1	J		1
D		1	K		1
E	 <b>(M8X14)</b>	4	L		1
F	 <b>(M8X20)</b>	4	M		1
G	 <b>(φ8)</b>	8			

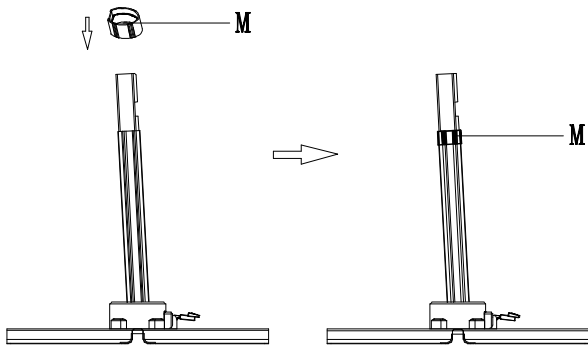
1



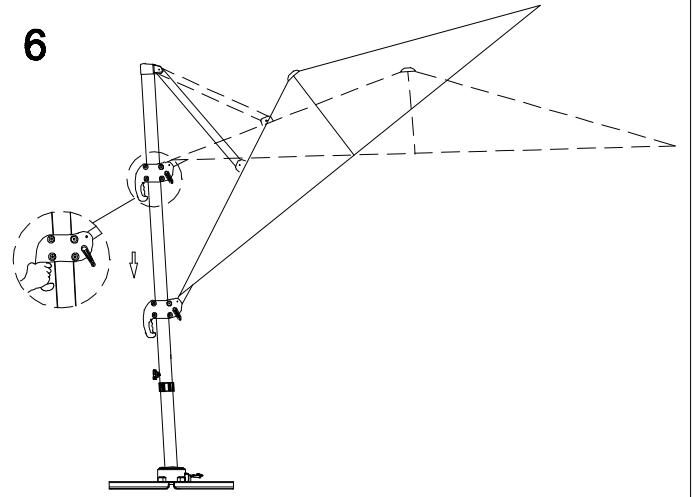
5



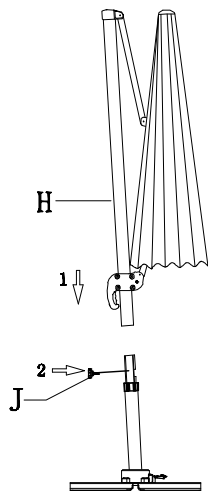
2



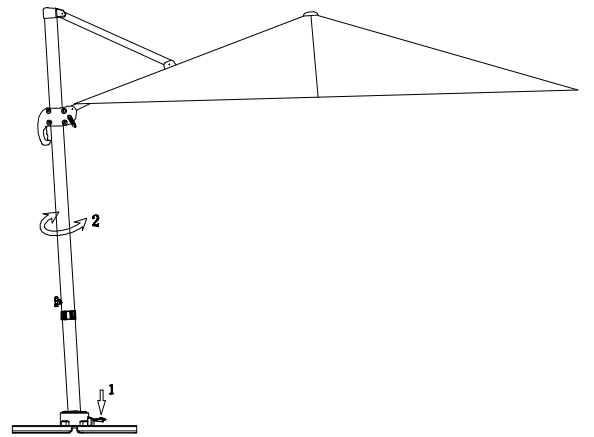
6



3



7



4

