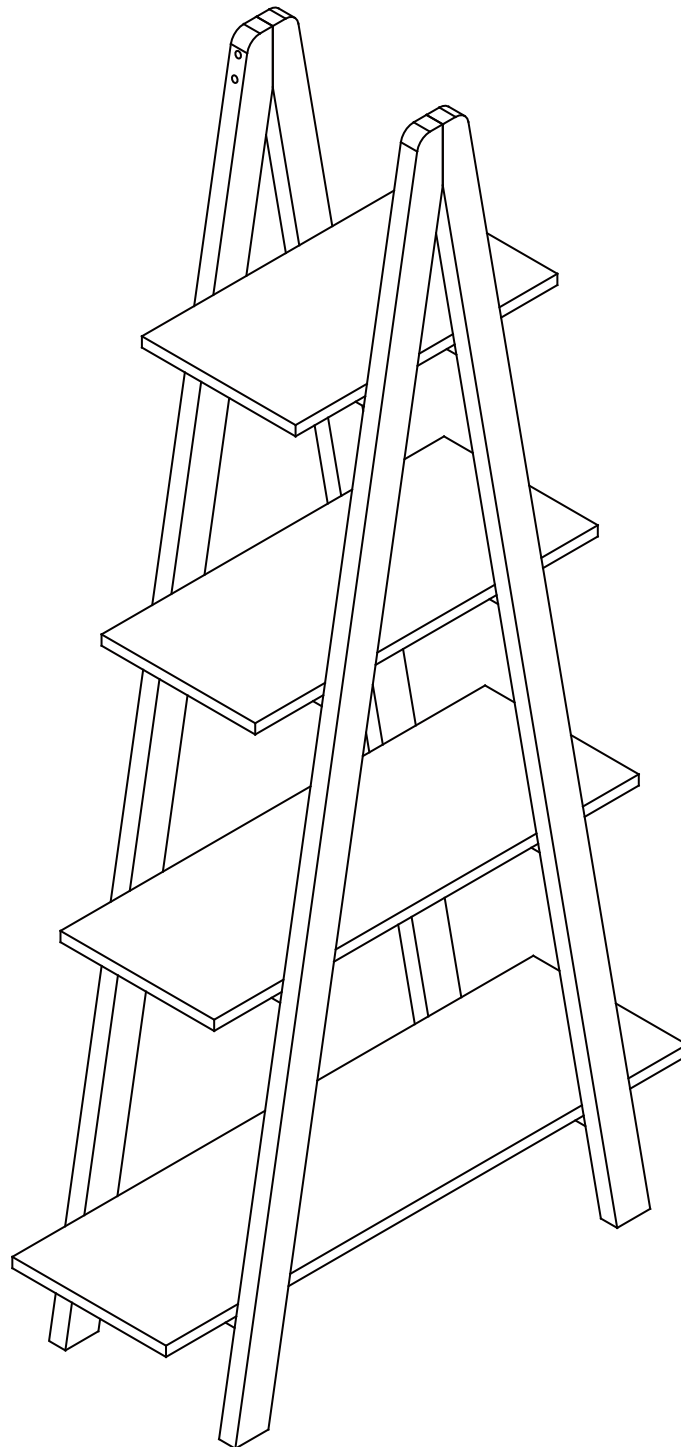


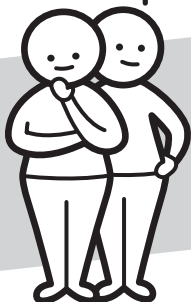


**Fantastic
Furniture**

Version 1.0



Two People



Required

Lean
Bookcase A Frame 4 Shelf

www.fantasticfurniture.com.au

Recommended weight capacity : 15kgs/shelf.



**WARNING: ENSURE THE WALL STRAP IS ATTACHED TO
AVOID SERIOUS INJURY.**

To avoid any serious or fatal injury, this product has been supplied with a wall strap to prevent toppling. We strongly recommend that this product is permanently fixed to the wall or other suitable surface. Connecting attachments for your wall are not included since different surface materials require different attachments. Please seek professional advice if you are in doubt of what wall connections to use.

Looks like you've found your Fantastic!

We're thrilled you've chosen Fantastic Furniture
to help create a home you'll love



Fantastic Furniture

Love it? Share it!

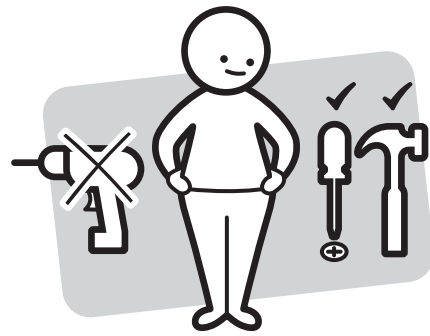
Fantastic buy! Share how it looks at home for your
chance to win a \$250 Fantastic Furniture Gift Card!

fantasticfurniture

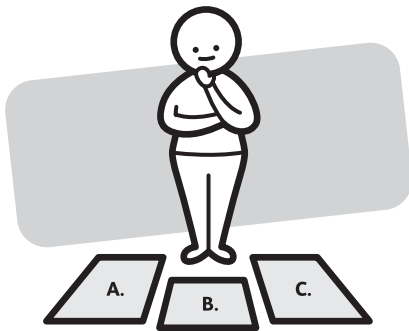
Assembly Checklist



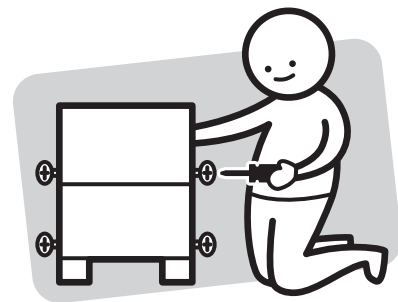
Read through the instructions carefully before you begin.



Make sure you have all the required tools. Never use power tools unless instructed.



Identify and lay out all of the components before you begin assembly.



Unless instructed, do not fully tighten screws until the item is fully assembled.

Useful Information

- ! Never use power tools unless specifically instructed. They can damage your components or hardware if used incorrectly.
- ! The most common mistakes made during assembly are using the wrong hardware or getting components back to front.
- ! Always use a soft surface (such as carpet or cardboard) when assembling your product to avoid scratching or damaging the surface of the product.
- ! Bulky items such as wardrobes and bunk beds should be assembled in the room they will be used in as they may not fit through a door once assembled.
- ! Never use any glue until you are certain that the parts belong together.
- ! Periodically check and re-tighten all fasteners. Check the product care label or website for product care instructions.
- ! If you are having any difficulties assembling your product, missing any hardware or components please visit our website Help Centre for further assistance.
- ! Please see page 2 for any safety requirements or weight restrictions.

What you need

to assemble the product



DO NOT USE

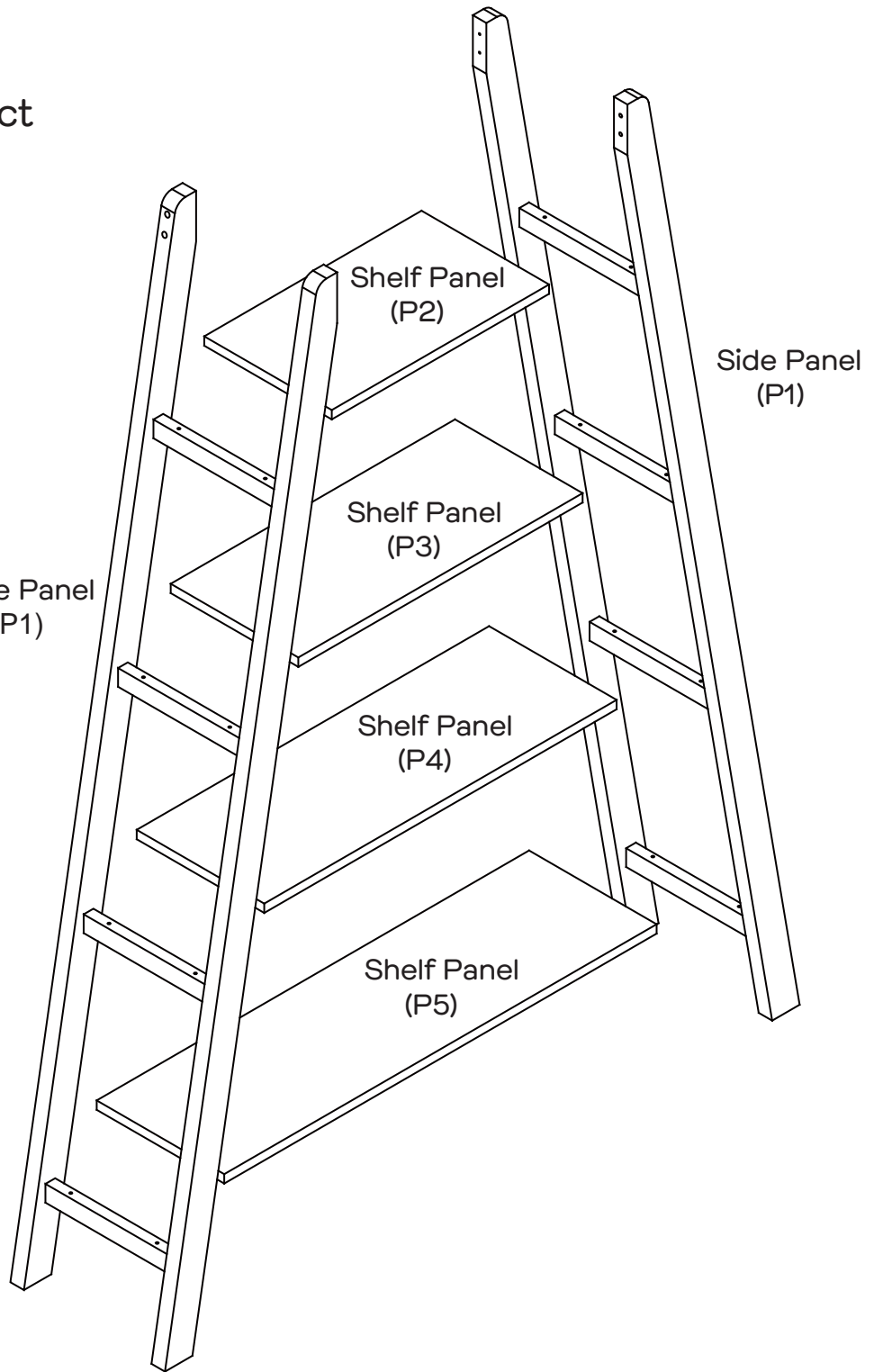


Other tools you need:
Phillips head screwdriver;

Parts list

Side Panel (P1) x 2;
Shelf Panel (P2);
Shelf Panel (P3);
Shelf Panel (P4);
Shelf Panel (P5)

Side Panel
(P1)

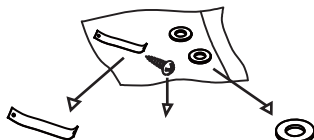


Side Panel
(P1)

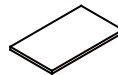
Hardware pack



20 x Screws
(H1)



1 x Safety Strap (H2) 1 x Safety Strap Screw (H3) 2 x Washers (H4)


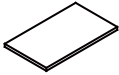




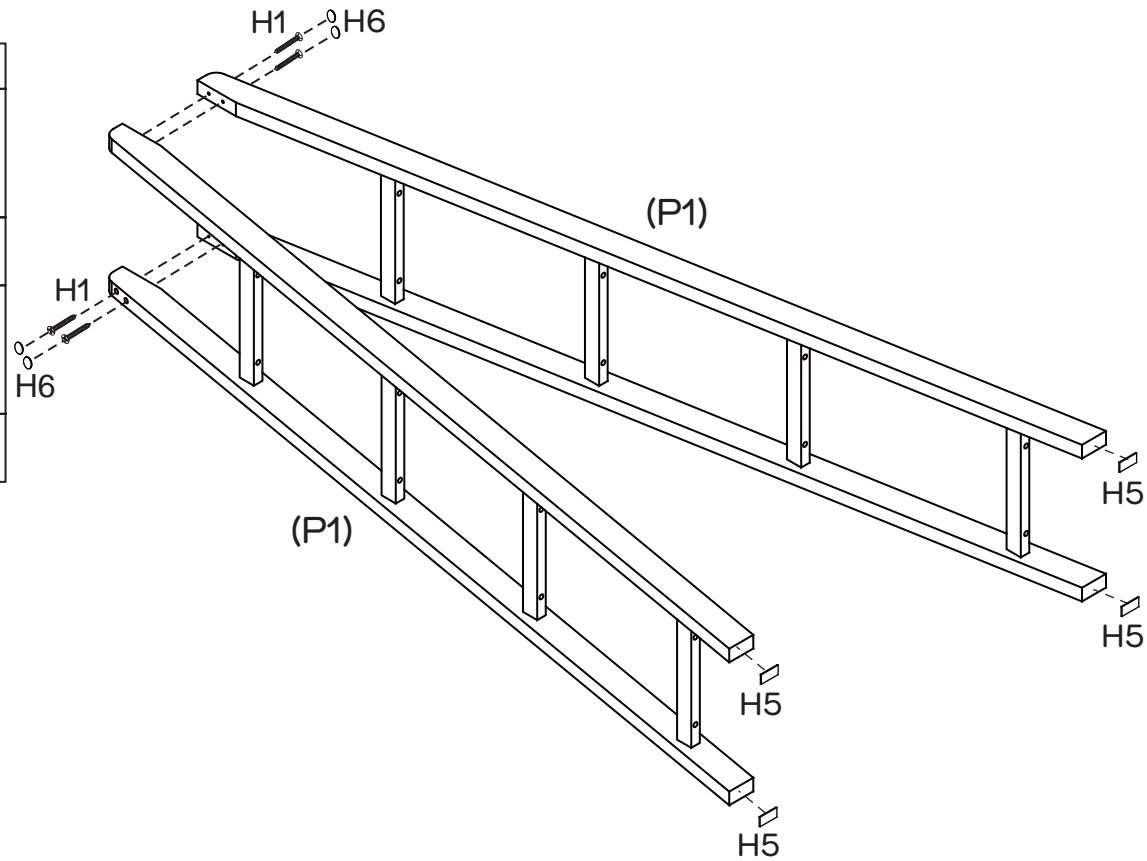
4 x Flat Pads
(H5)



4 x Stickers
(H6)



Step 1

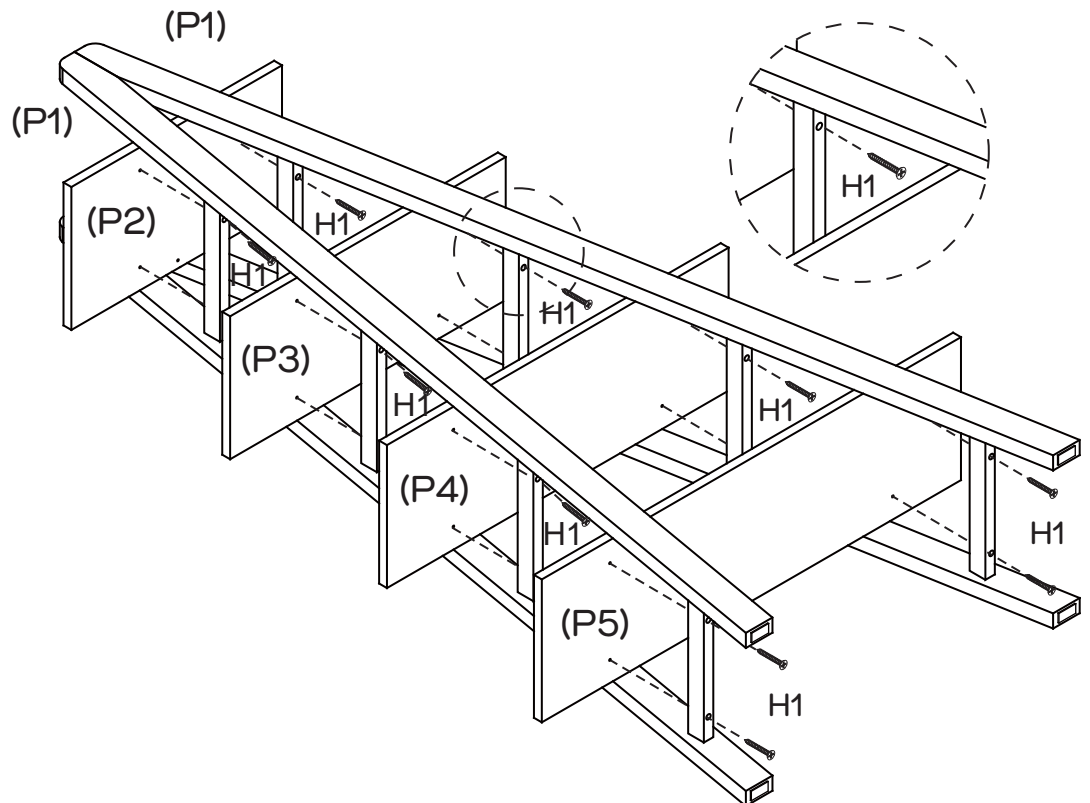
You will need	
	
4 x Screws (H1)	4 x Flat Pads (H5)
	
4 x Stickers (H6)	Phillips head screwdriver



Secure Side Panels (P1x2) together with 4 x Screws (H1) by tightening with the Phillips Head Screwdriver. Place 4 x Stickers (H6) at the top of the Side Panels (P1x2) to cover the screw holes. Place 4 x Flat Pads (H5) on the bottom of Side Panels as shown.

Step 2

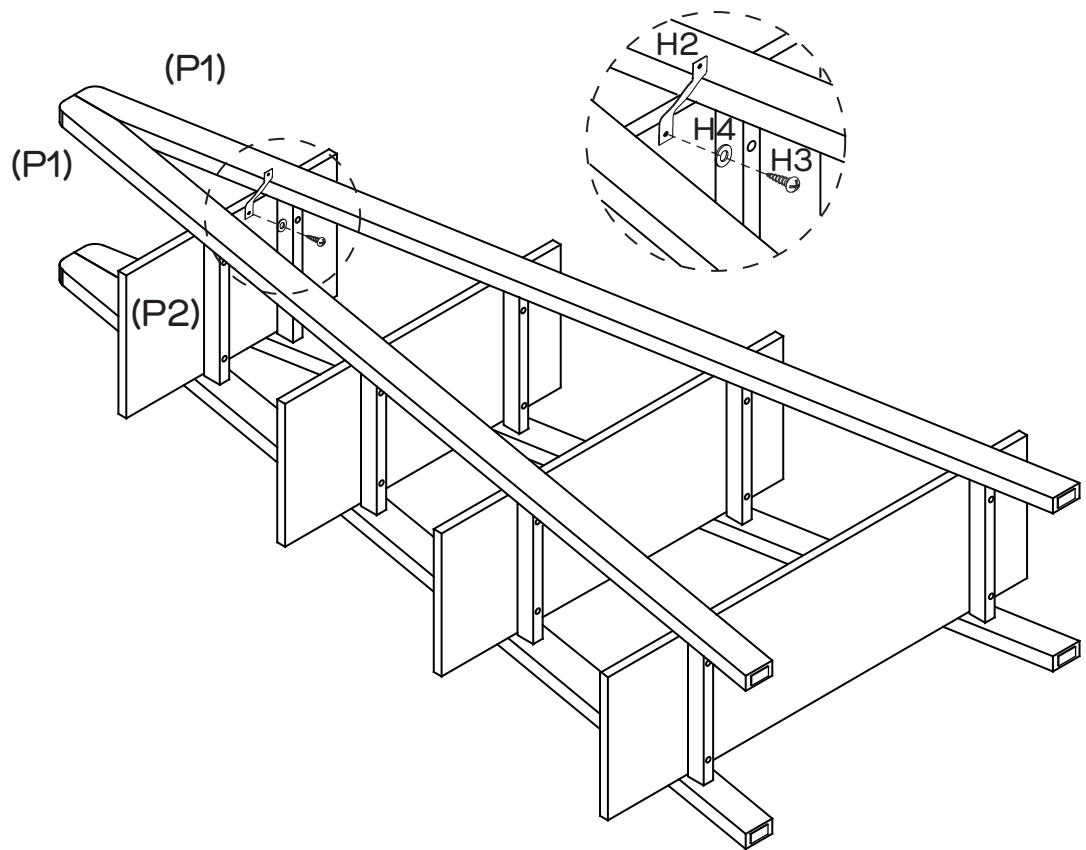
You will need	
	
16 x Screws (H1)	Phillips head screwdriver



Attach all Shelf Panels (P2, P3, P4 & P5) to Side Panels (P1x2) with 16 x Screws (H1) by tightening with the Phillips Head Screwdriver.



Step 3

You will need	
	
1 x Safety Strap (H2)	1 x Safety Strap Screw (H3)
	
1 x Washer (H4)	Phillips head screwdriver

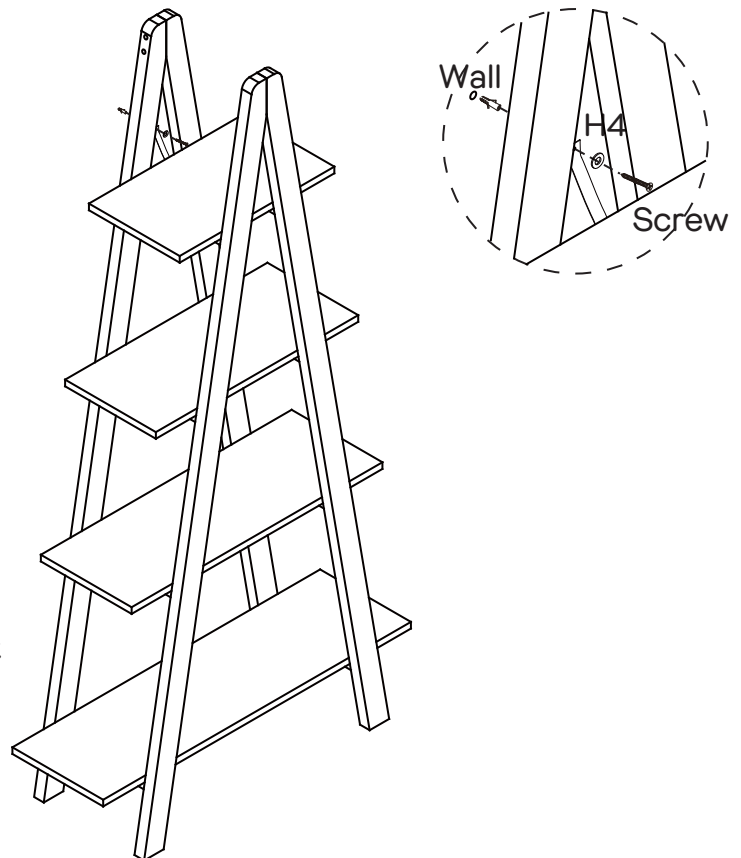


Secure the Safety Strap (H2) to the underside of the Shelf Panel (P2) as shown use 1 x Washer (H4) and secure by tightening 1 x Safety Strap Screw (H3) with the phillips head screwdriver.

Step 4

You will need	
	
1 x Washer (H4)	Phillips head screwdriver
Screw and wall Plug are not provided. Please use appropriate fixtures for your wall.	

Move the unit into it's final position and then secure the Safety Strap to the wall. Ensure it is firmly attached. Please use appropriate fixtures for your wall. * Seek advice from a qualified tradesperson on how to attach this safety strap to your specific wall.



Job Complete!

In the interest of our environment please dispose of all packaging thoughtfully.