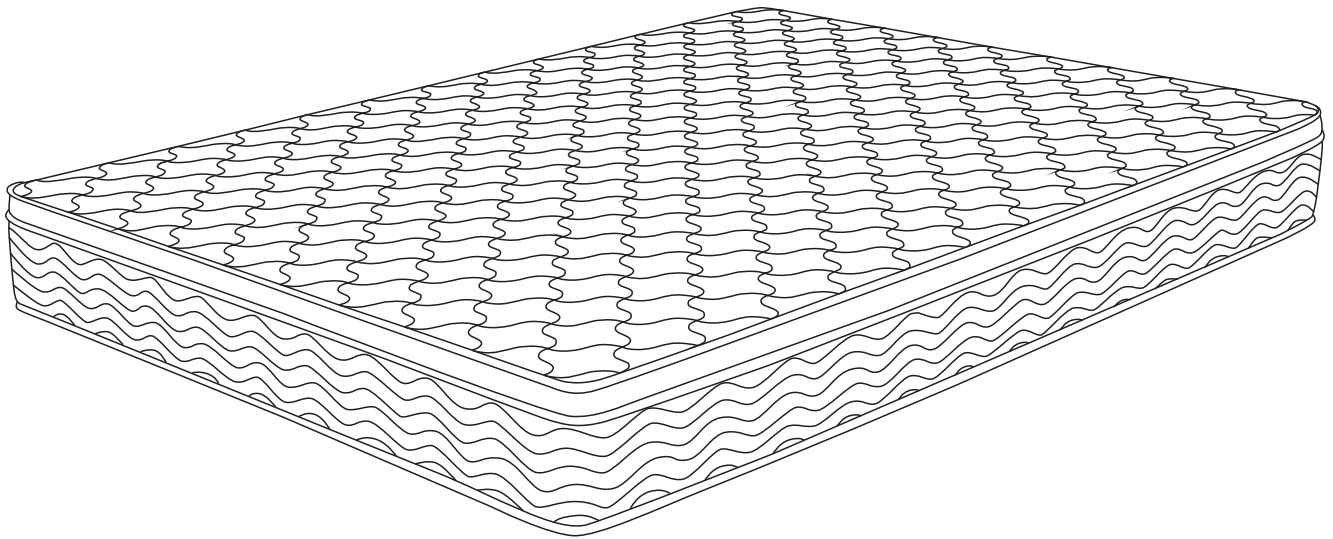




**Fantastic
Furniture**

Version 1.0



Two People



Required

sleepscape
Mattress

fantasticfurniture.com.au



**IMPORTANT:
MATTRESS MAY EXPAND TO FULL SIZE QUICKLY.
PLEASE READ INSTRUCTIONS CAREFULLY.**

The longer your mattress has been compressed will determine how long it takes to decompress fully. This will vary from mattress to mattress. Therefore, for best results, please allow up to 48hrs for your mattress to fully recover before use.

Looks like you've found your Fantastic!

We're thrilled you've chosen Fantastic Furniture
to help create a home you'll love!



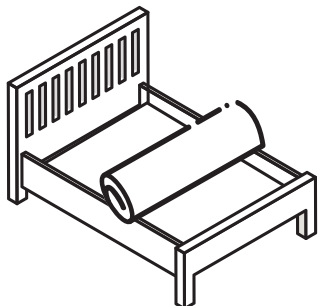
Fantastic Furniture

Love it? Share it!

Fantastic buy! Share how it looks at home on Instagram for
your chance to win a \$250 Fantastic Furniture Gift Card!
@fantasticfurniture

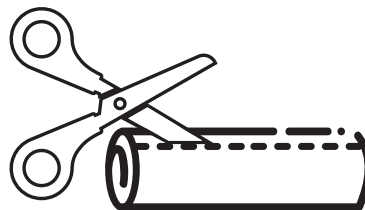
Step 1

Unbox the mattress in the bedroom.



Step 2

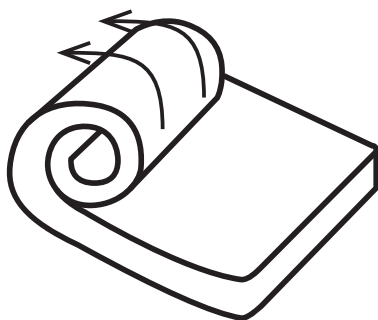
Cut the outer bag along the seam with scissors making sure not to cut the inner clear plastic bag (do not use a knife).



Step 3

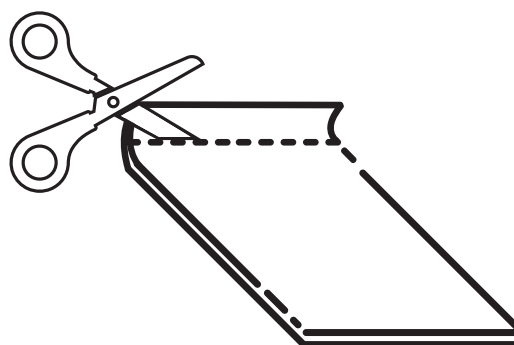
Roll out the compressed mattress on to a clean, flat surface.

Ensure the top of the mattress is facing up once unrolled.



Step 4

Carefully cut open the CLEAR plastic bag along the edges. The mattress instantly begins to decompress. Remove the bag.

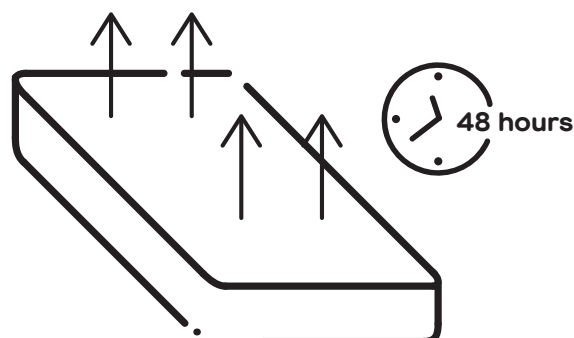


Step 5

Allow mattress to fully expand. Use on any clean, smooth rigid surface such as platform bed.

Note: it might take up to 48 hours for the mattress to fully recover.

Please see care label affixed to mattress for full cleaning and care instructions.



Job Complete!

In the interest of our environment please dispose of all packaging thoughtfully.