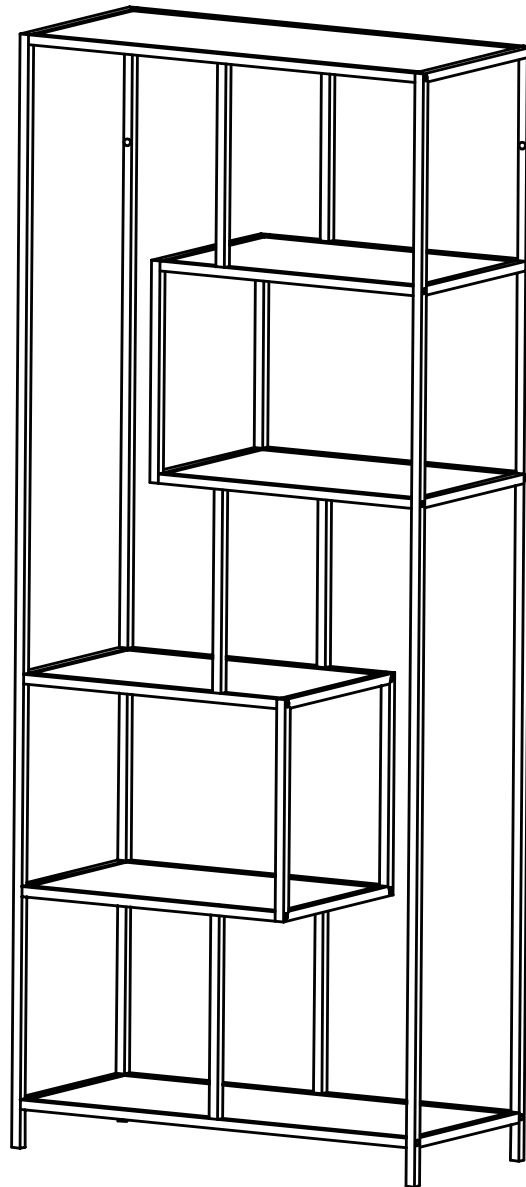




Version 2.0



TWO PEOPLE



REQUIRED

Seaforth

Bookcase 5 shelf

www.fantasticfurniture.com.au

RECOMMENDED WEIGHT CAPACITY 15 KG PER SHELF



**WARNING: ENSURE THE WALL STRAP IS ATTACHED TO
AVOID SERIOUS INJURY.**

To avoid any serious or fatal injury, this product has been fitted with a wall strap to prevent toppling. We strongly recommend that this product is permanently fixed to the wall or other suitable surface. Fixing devices are not included since different surface materials require different attachments. Please seek professional advice if you are in doubt of what fixing device to use.

Enjoy
Your purchase from
Australia's Best Value Furniture Store



Assembly checklist



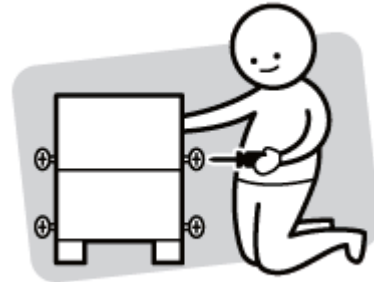
Read through the instructions carefully before you begin.



Make sure you have all the required tools. Never use power tools unless instructed.



Identify and lay out all of the components before you begin assembly.



Unless instructed, do not fully tighten screws until the item is fully assembled.

Useful Information

- ! Never use power tools unless specifically instructed. They can damage your components or hardware if used incorrectly
- ! The most common mistakes made during assembly are using the wrong hardware or getting components back to front.
- ! Always use a soft surface (such as carpet or cardboard) when assembling your product to avoid scratching or damaging the surface of the product.
- ! Bulky items such as wardrobes and bunk beds should be assembled in the room they will be used in as they may not fit through a door once assembled.
- ! Never use any glue until you are certain that the parts belong together.
- ! Periodically check and re-tighten all fasteners. Check the product care label or website for product care instructions.
- ! If you are having any difficulties assembling your product, missing any hardware or components please visit our website Help Centre for further assistance.
- ! Please see page 2 for any safety requirements or weight restrictions.

What you need

to assemble the product

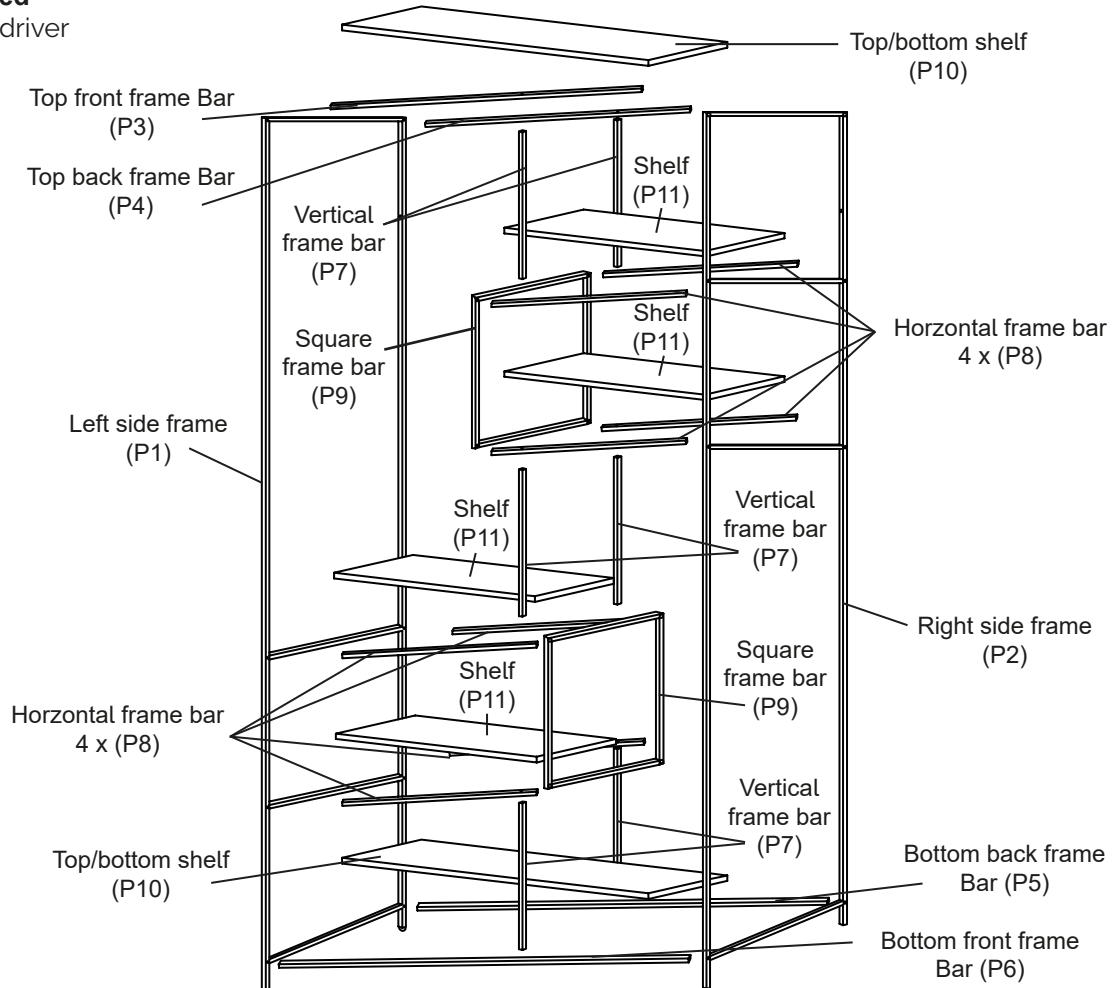


DO NOT USE



Other tools you need

Phillips head screwdriver



Parts list

Box 1: Left Side Frame (P1); Right Side Frame (P2); Top Front Frame Bar (P3); Top Back Frame Bar (P4); Bottom Back Frame Bar (P5); Bottom Front Frame Bar (P6); Vertical Frame Bars (P7 x 6); Horizontal Frame Bars (P8 x 8); Square Frame Bars (P9 x 2) Top and Bottom Shelves (P10 x 2); Shelves (P11 x 4).



Shelf screws
28 x (H1)



Frame screws
36 x (H2)



Allen key
1 x (H3)



Wall strap
2 x (H4)



Nut
2 x (H5)



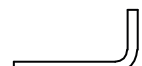
Washer
4 x (H6)



Wall strap
screw
2 x (H7)

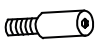
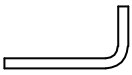


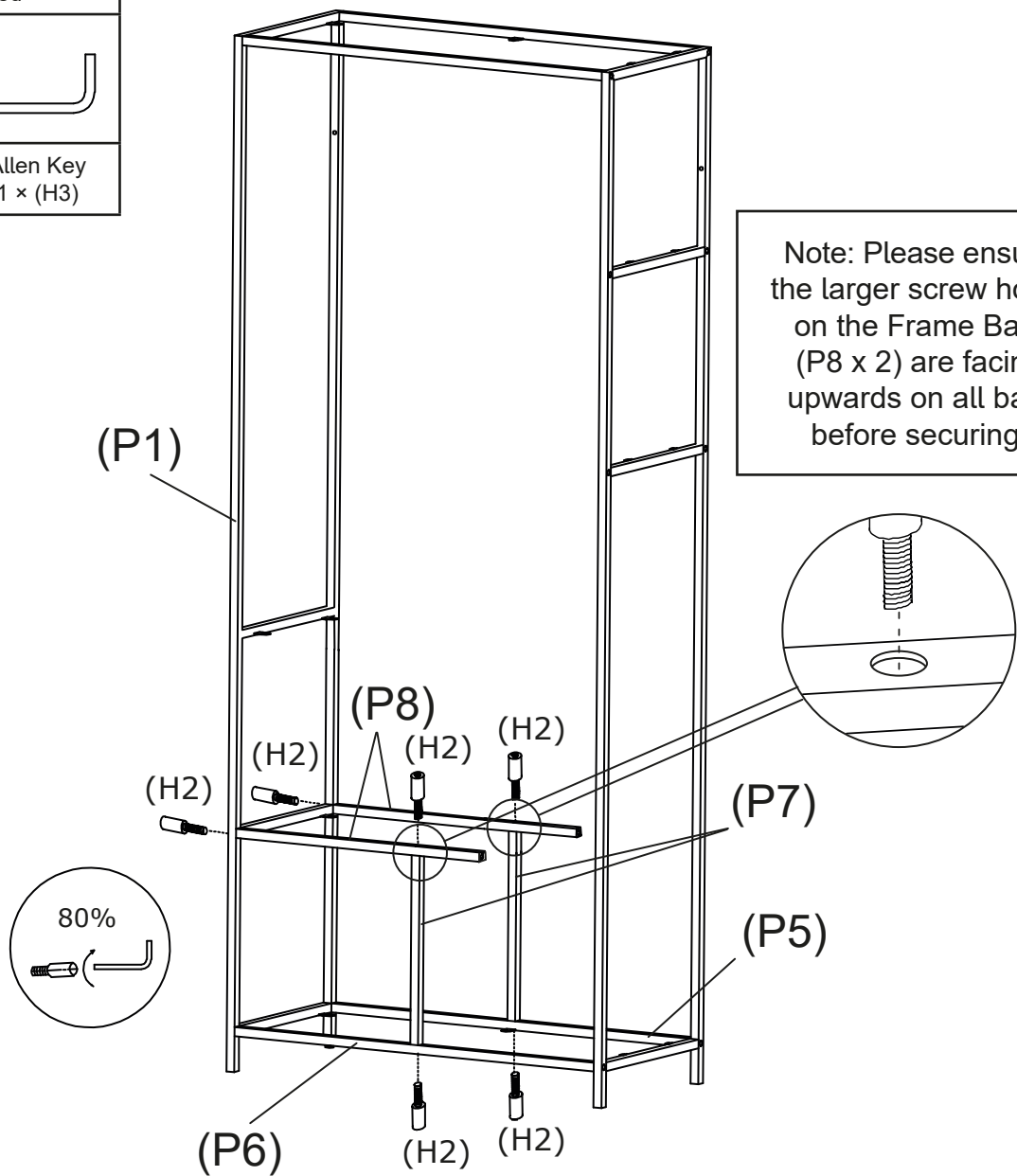
Spanner
1 x (H8)



Allen key
1 x (H9)

Step 2

| You will need | |
|---|---|
|  |  |
| Frame screw 6 × (H2) | Allen Key 1 × (H3) |




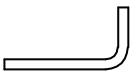
Note: Please ensure the larger screw holes on the Frame Bars (P8 x 2) are facing upwards on all bars before securing.

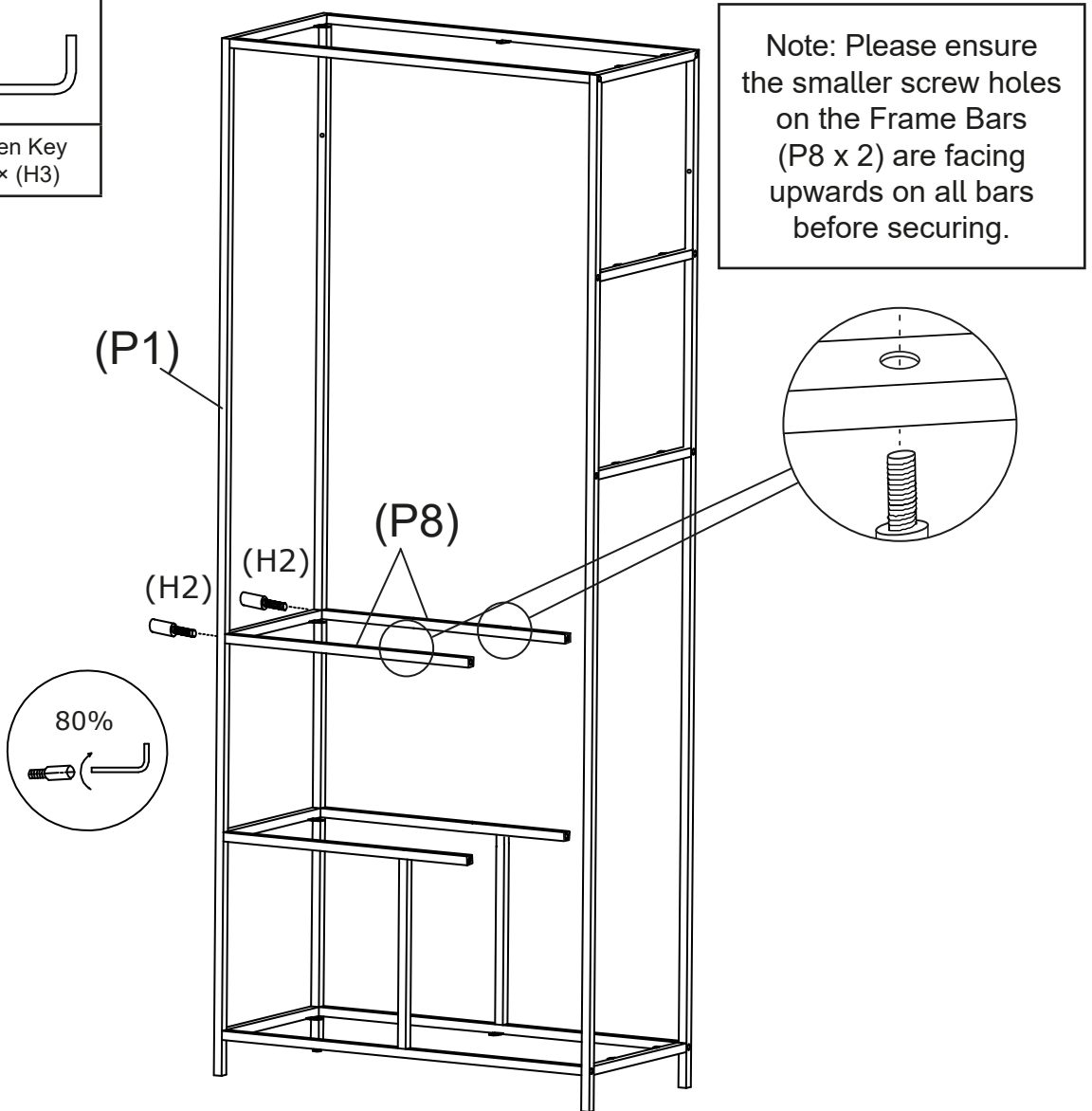
Note: Please only tighten the Frame Screws (H2) 80%, when shelves have been added, the frame screws (H2) can be tightened 100%

Attach Vertical Frame Bars (P7 x 2) to Bottom Front & Back Frame Bars (P5 & P6) using Frame Screws (H2) by tightening with the Allen Key (H3). Attach horizontal Frame Bars (P8 x 2) to the Vertical Frame Bars (P7) and Left Side Frame (P1) using Frame Screws (H2) by tightening with the Allen Key (H3). Ensure the larger screw holes on the Frame Bars (P8 x 2) are facing upwards on all bars before securing.



Step 3

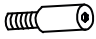
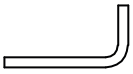
| You will need | |
|---|---|
|  |  |
| Frame screw 2 × (H2) | Allen Key 1 × (H3) |

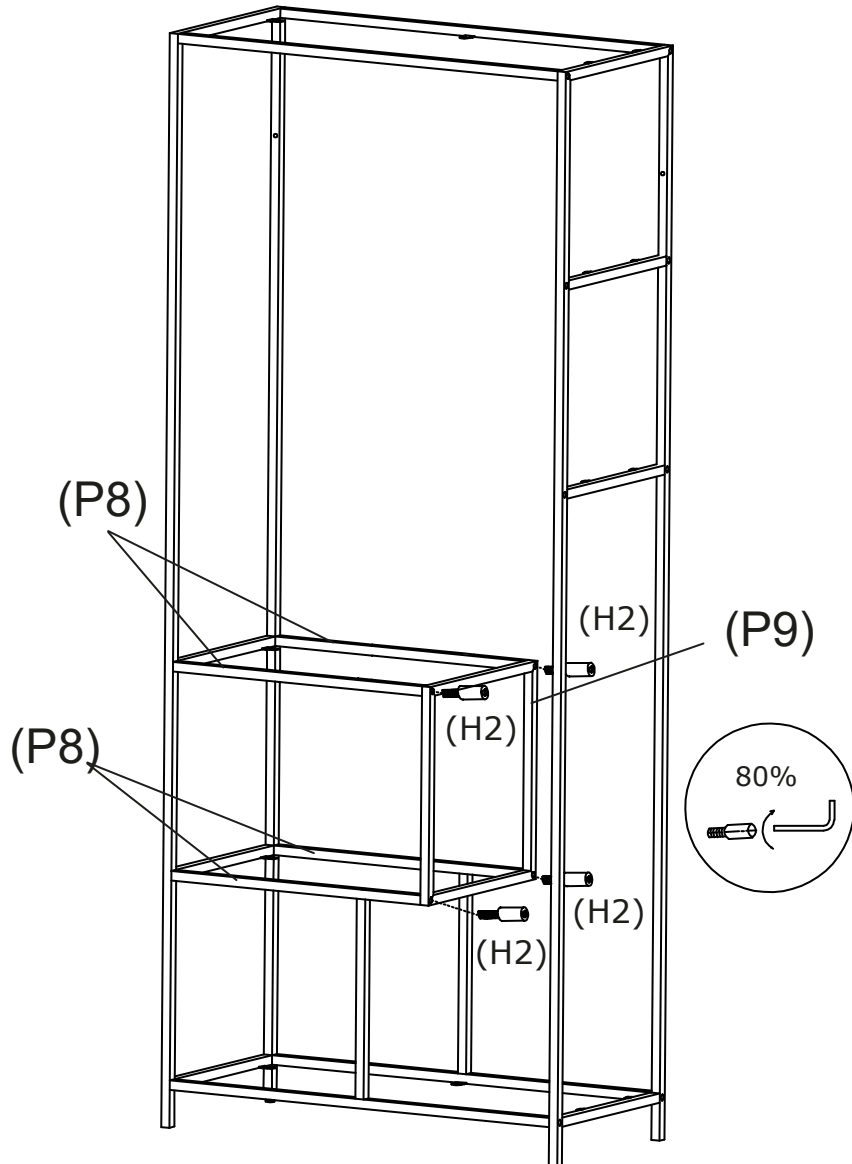


Note: Please only tighten the Frame Screws (H2) 80%, when shelves have been added, the frame screws (H2) can be tightened 100%

Attach Horizontal Frame Bars (P8 x 2) to the Left Side Frame (P1) using Frame Screws (H2) by tightening with the Allen Key (H3). Ensure the smaller screw holes on the Frame Bars (P8 x 2) are facing upwards on all bars before securing.

Step 4


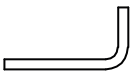
| You will need | |
|---|---|
|  |  |
| Frame screw 4 × (H2) | Allen Key 1 × (H3) |

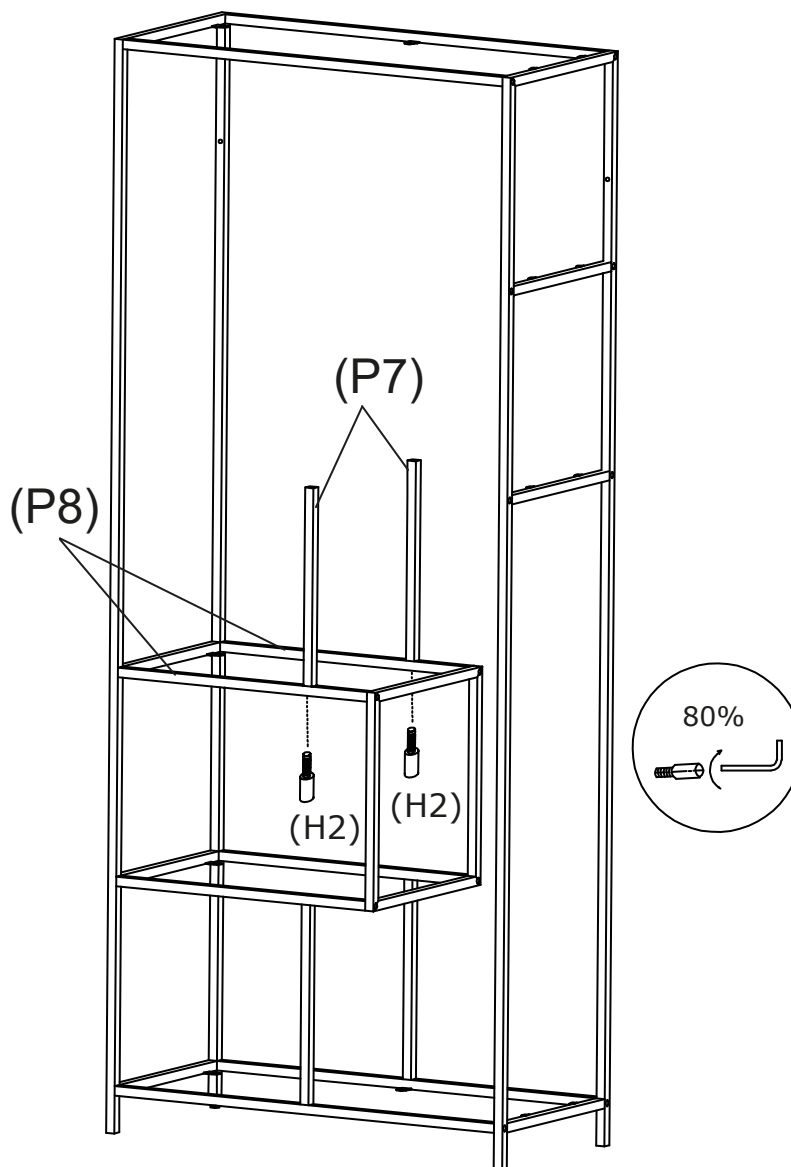


Note: Please only tighten the Frame Screws (H2) 80%, when shelves have been added, the frame screws (H2) can be tightened 100%

Attach Square Frame (P9) to the end of the Frame Bars (P8 x 4) using Frame Screws (H2) by tightening with the Allen Key (H3).

Step 5

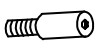
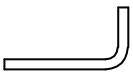
| You will need | |
|---|---|
|  |  |
| Frame screw 2 × (H2) | Allen Key 1 × (H3) |



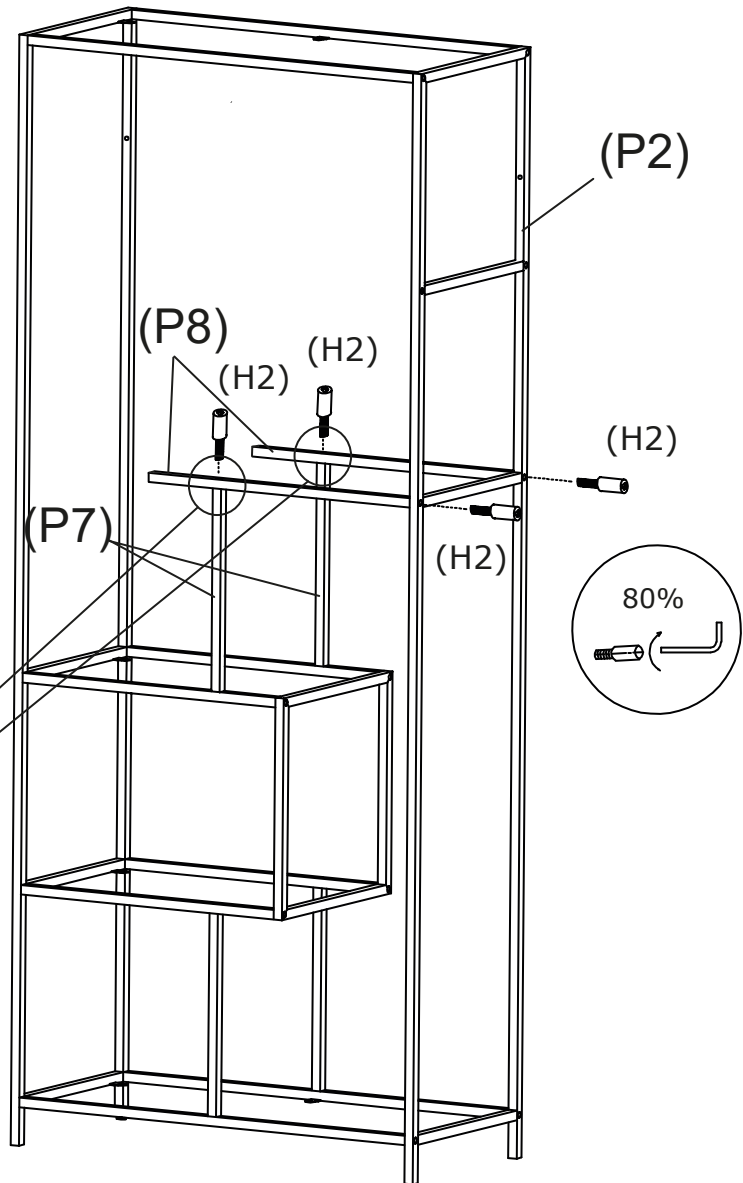
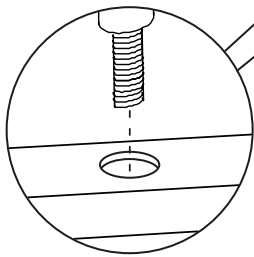
Note: Please only tighten the Frame Screws (H2) 80%, when shelves have been added, the frame screws (H2) can be tightened 100%

Attach Vertical Frame Bars (P7 x 2) to the Horizontal Frame Bars (P8 x 2) using Frame Screws (H2) by tightening with the Allen Key (H3).

Step 6

| You will need | |
|---|---|
|  |  |
| Frame screw 4 × (H2) | Allen Key 1 × (H3) |

Note: Please ensure the larger screw holes on the Frame Bars (P8 x 2) are facing upwards on all bars before securing.




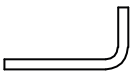
Note: Please only tighten the Frame Screws (H2) 80%, when shelves have been added, the frame screws (H2) can be tightened 100%

Attach Horizontal Frame Bars (P8 x 2) to the Vertical Frame Bars (P7 x 2) and the right side Frame (P2) using Frame Screws (H2) by tightening with the Allen Key (H3).

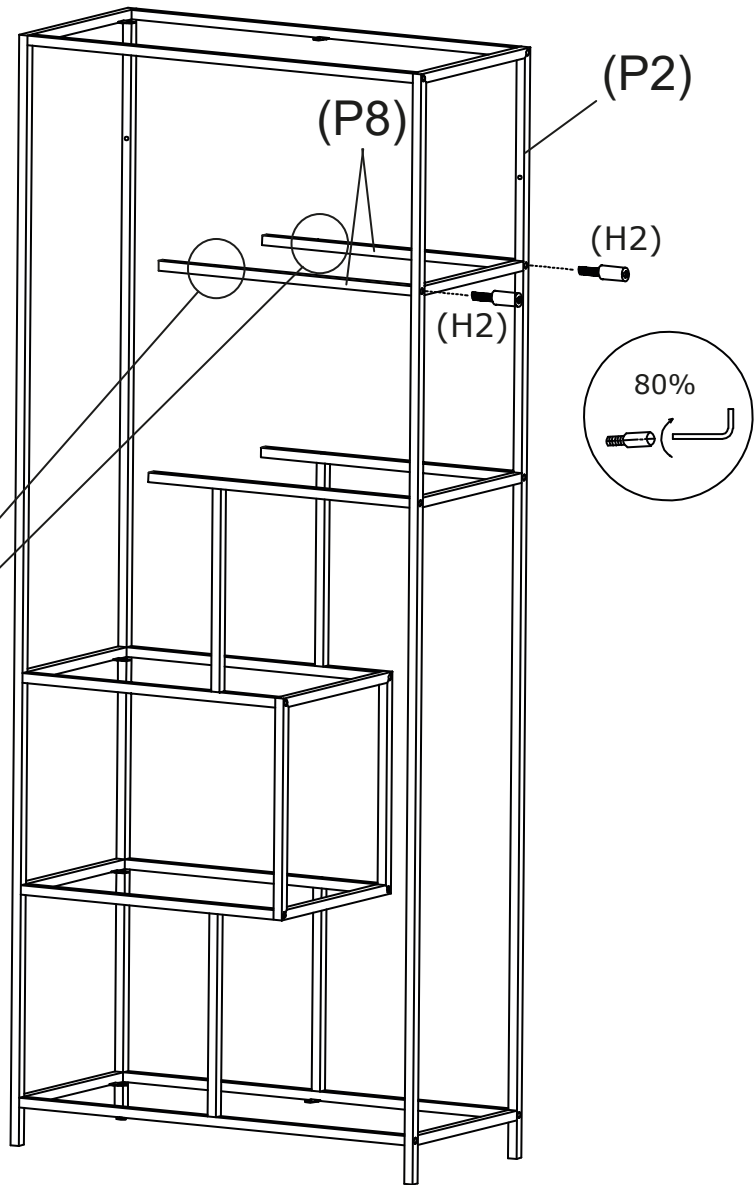
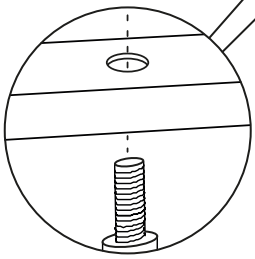
Ensure the larger screw holes on the Frame Bars (P8 x 2) are facing upwards on all bars before securing.



Step 7

| You will need | |
|---|---|
|  |  |
| Frame screw 2 × (H2) | Allen Key 1 × (H3) |


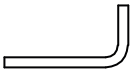
Note: Please ensure the smaller screw holes on the Frame Bars (P8 x 2) are facing upwards on all bars before securing.

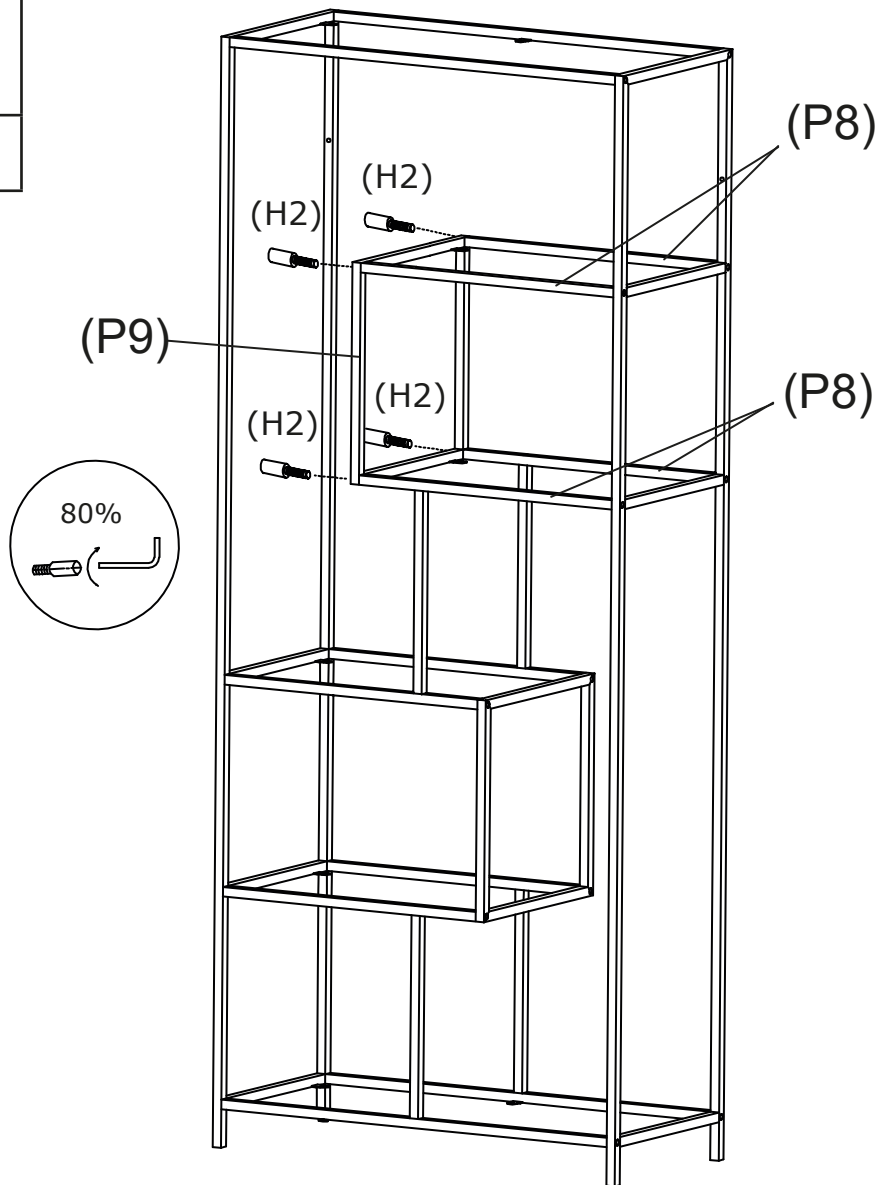


Note: Please only tighten the Frame Screws (H2) 80%, when shelves have been added, the frame screws (H2) can be tightened 100%

Attach Horizontal Frame Bars (P8 x 2) to the Right Side Frame (P2) using Frame Screws (H2) by tightening with the Allen Key (H3). Ensure the smaller screw holes on the Frame Bars (P8 x 2) are facing upwards on all bars before securing.

Step 8


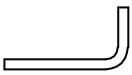
| You will need | |
|---|---|
|  |  |
| Frame screw 4 × (H2) | Allen Key 1 × (H3) |

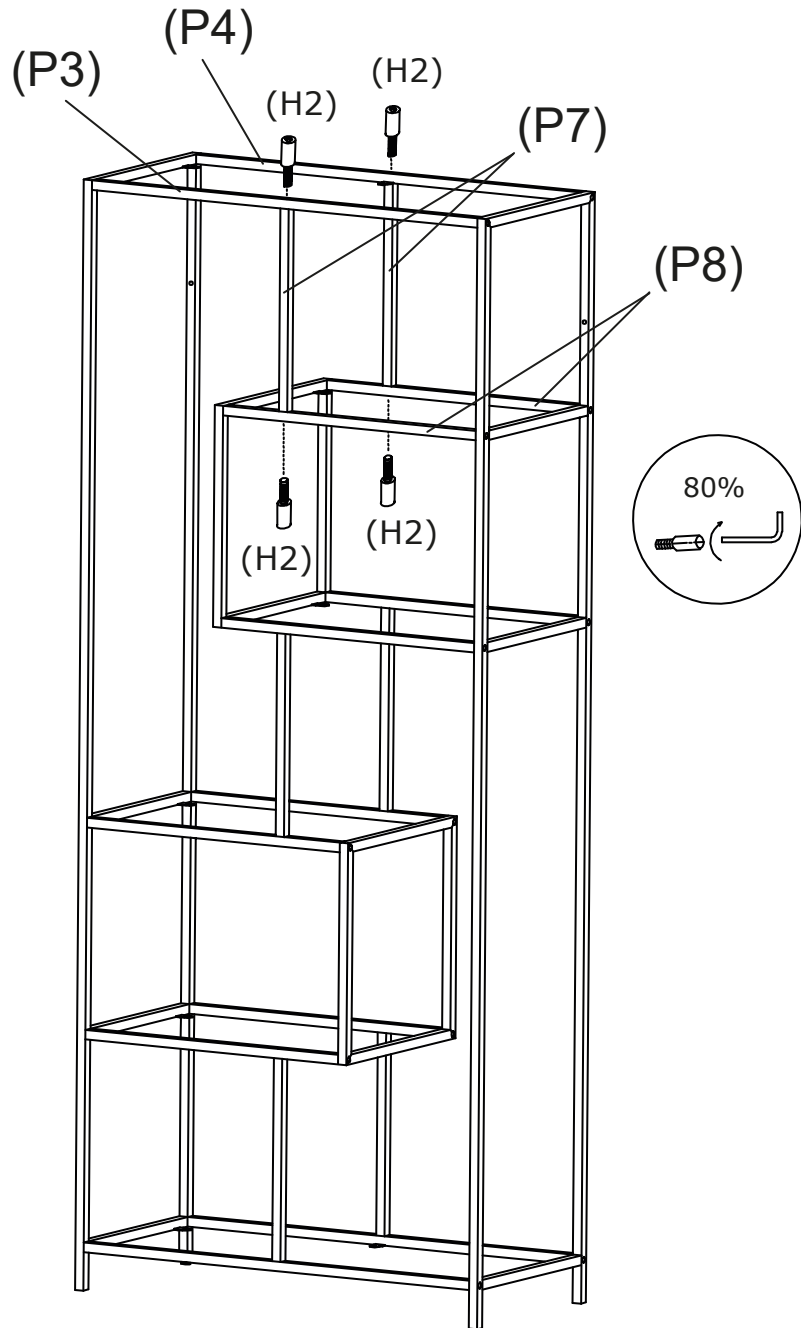


Note: Please only tighten the Frame Screws (H2) 80%, when shelves have been added, the frame screws (H2) can be tightened 100%

Attach Square Frame (P9) to the end of the Frame Bars (P8 x 4) using Frame Screws (H2) by tightening with the Allen Key (H3).

Step 9

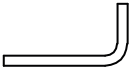
| You will need | |
|---|---|
|  |  |
| Frame screw 4 × (H2) | Allen Key 1 × (H3) |

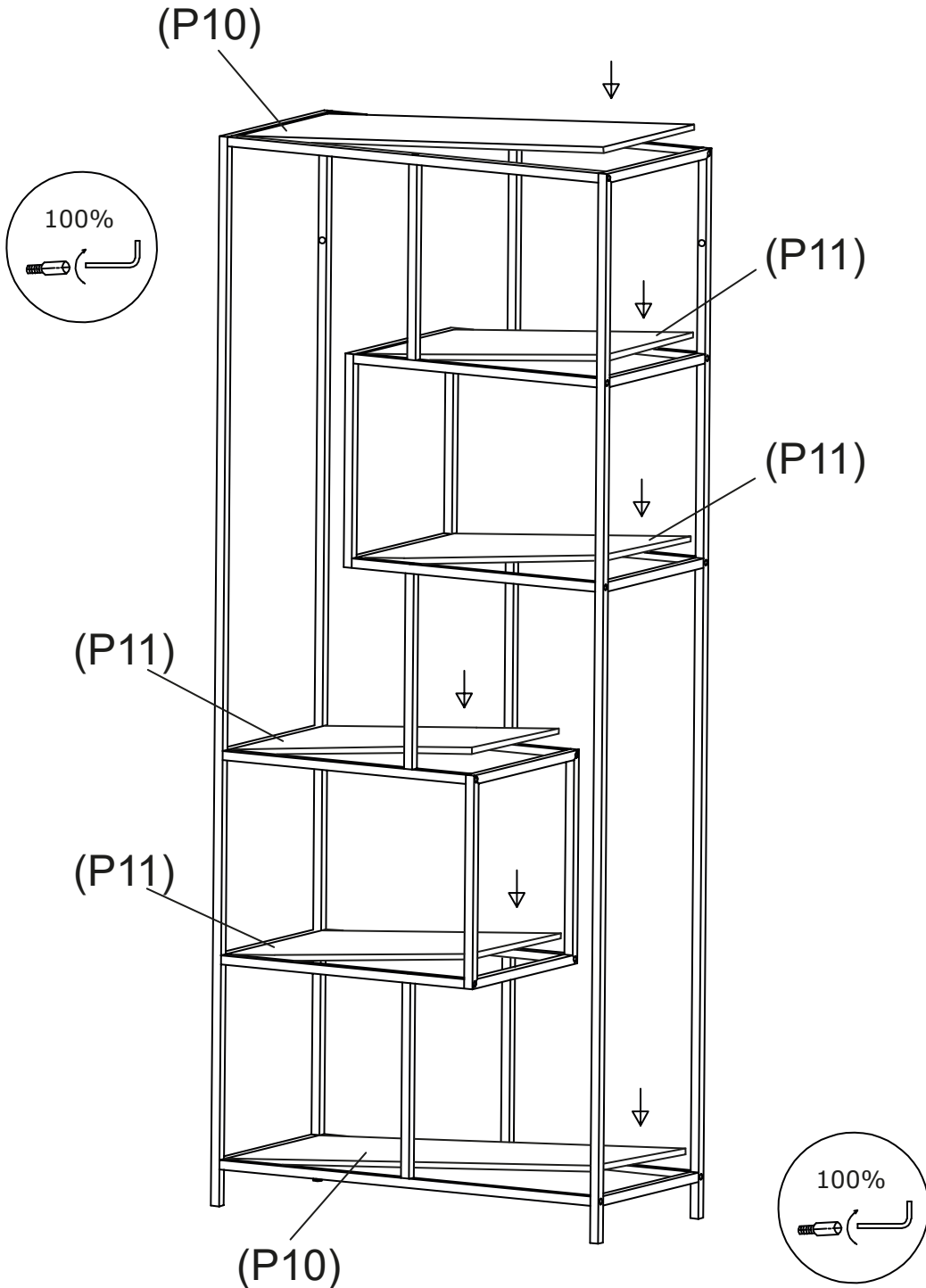


Note: Please only tighten the Frame Screws (H2) 80%, when shelves have been added, the frame screws (H2) can be tightened 100%

Attach Vertical Frame Bars (P7 x 2) to Top Frame Bars (P3 & P4) and Horizontal Frame Bars (P8 x 2) using Frame Screws (H2) by tightening with the Allen Key (H3).



Step 10

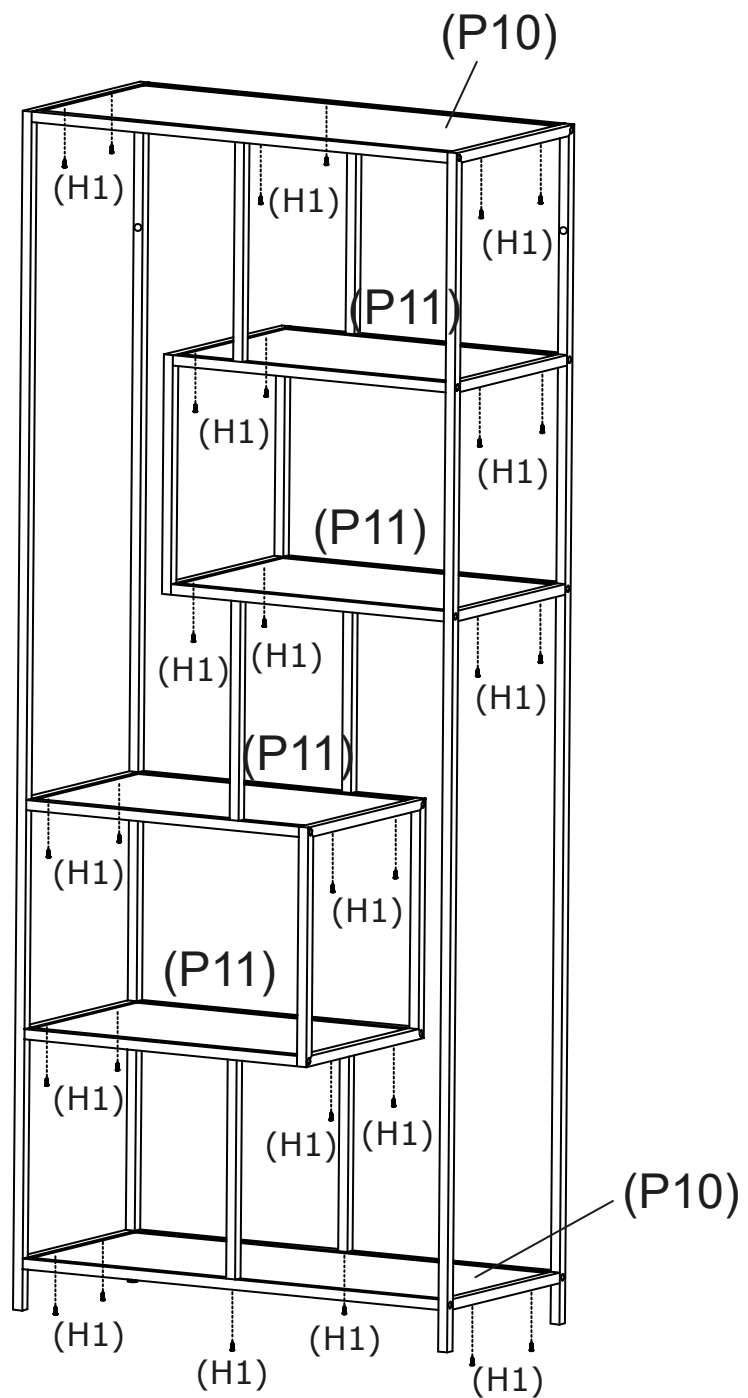
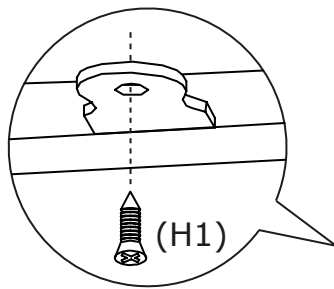
| |
|---|
| You will need |
|  |
| Allen Key 1 x (H3) |



Place Top and Bottom Shelves (P10 x 2) into the assembled top and bottom shelving frame. Place Shelves (P11 x 4) into the remaining shelving frames. When shelves (P10 x2 and P11 x 4) have been placed, tighten all Frame Screws (H2) 100% by using the Allen Key (H3).

Step 11







| You will need | |
|---|---|
|  |  |
| Shelf screw 28 × (H1) | Phillips Head Screwdriver |

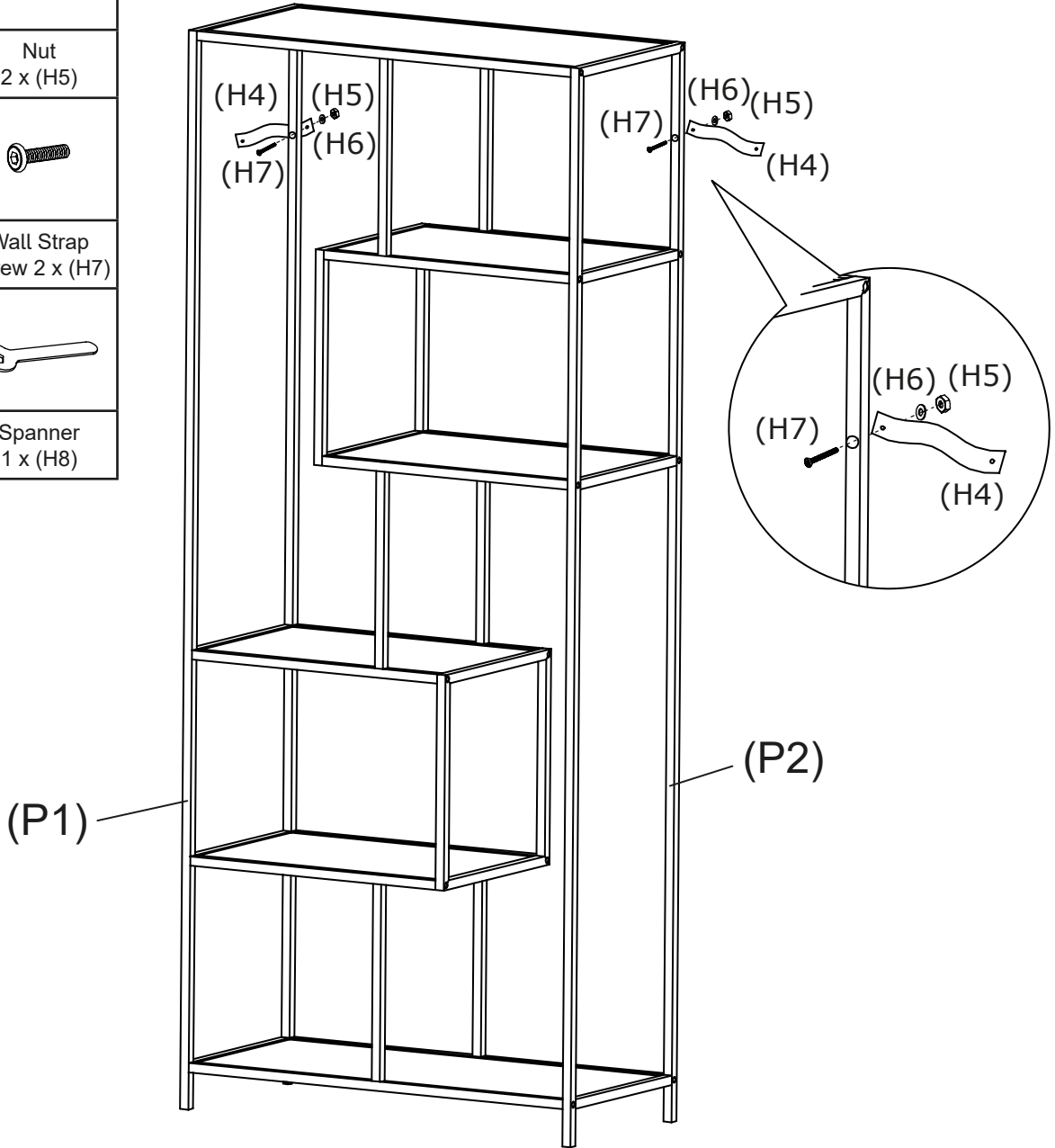


Secure all Shelves (P10 x 2 and P11 x 4) to the assembled bookcase with Shelf Screws (H1) using Phillips Head Screwdriver.

Step 12

We strongly advise that you use the wall straps provided to prevent the unit from toppling

| You will need | |
|---|---|
|  |  |
| Wall Strap 2 x (H4) | Nut 2 x (H5) |
|  |  |
| Washer 2 x (H6) | Wall Strap Screw 2 x (H7) |
|  |  |
| Allen Key 1 x (H9) | Spanner 1 x (H8) |



Use the Wall Strap Screw (H7), Washer (H6) and Nut (H5) to connect the Wall Strap to the Right and Left Frames (P1 & P2) using the Allen Key (H9) and the Nut (H5) using the Spanner (H8).

Step 13

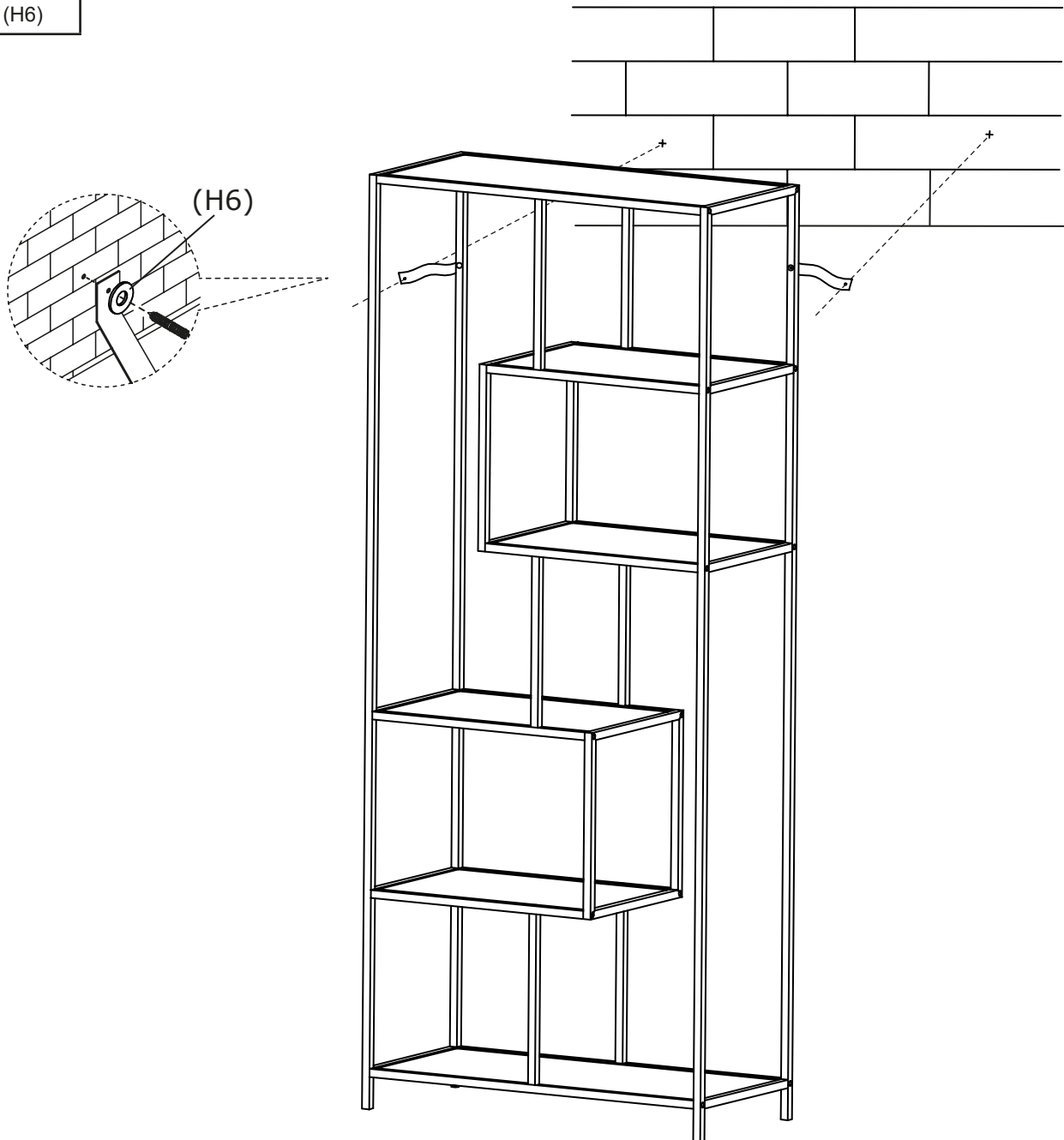
You will need



Washer
2 × (H6)

Screws and wall plugs are not provided, please use appropriate fixtures for your wall.

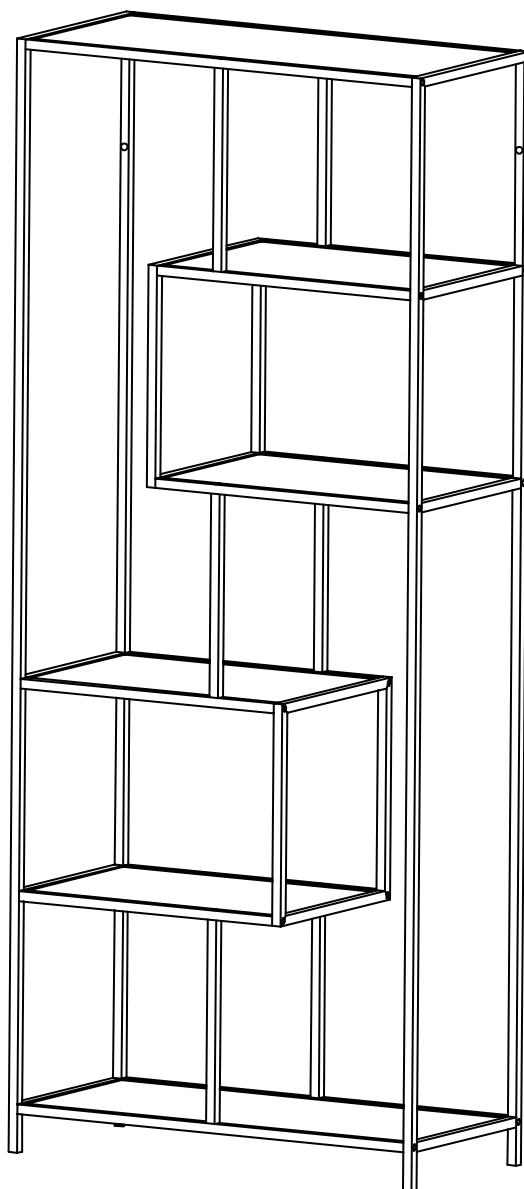
Seek advice from a qualified trades person on how to attach this to your specific wall.



Move furniture to its final position then connect the Wall Strap (H4) to the wall. make sure it is firmly attached and a snug fit.



Step 14



Job Complete!

In the interest of our environment please dispose of all packaging thoughtfully.