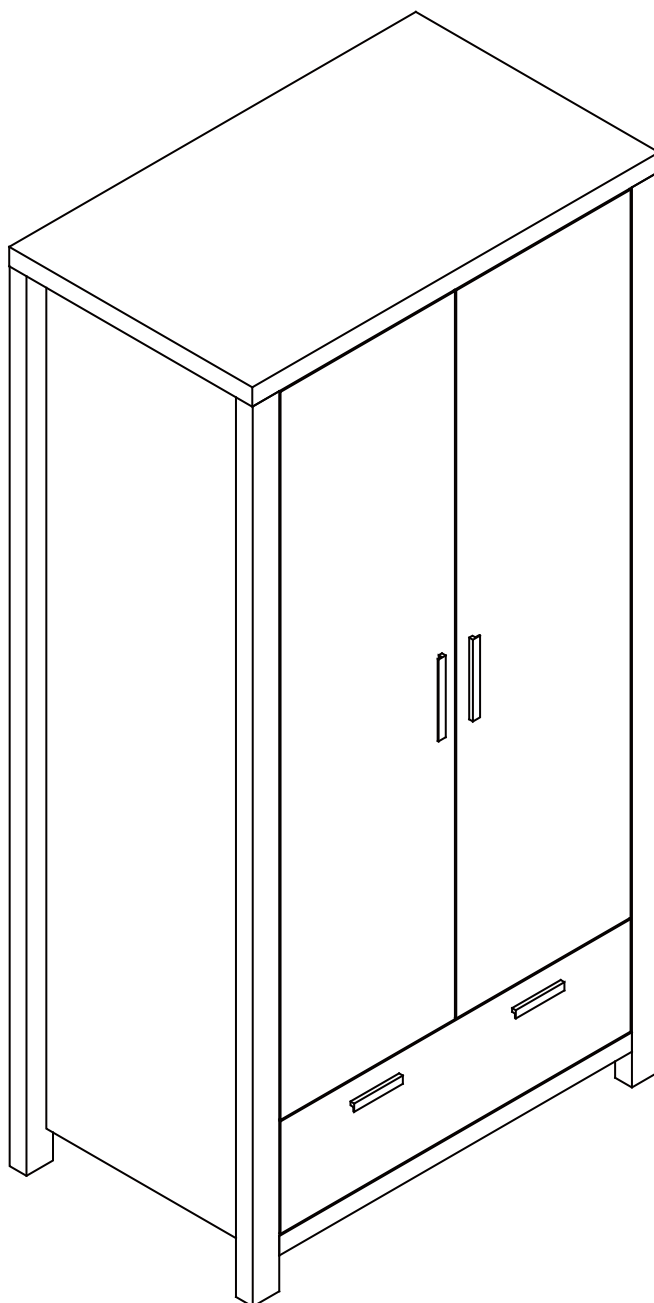


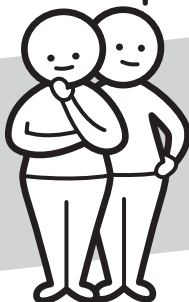


**Fantastic
Furniture**

Version 1.0



Two People



Required

HANAVA
ROBE 2 DOOR 1 DRAWER

fantasticfurniture.com.au

Recommended weight capacity : 10kgs/shelf.



**WARNING: ENSURE THE WALL STRAP IS ATTACHED TO
AVOID SERIOUS INJURY.**

To avoid any serious or fatal injury, this product has been supplied with a wall strap to prevent toppling. We strongly recommend that this product is permanently fixed to the wall or other suitable surface. Connecting attachments for your wall are not included since different surface materials require different attachments. Please seek professional advice if you are in doubt of what wall connections to use.

Looks like you've found your Fantastic!

We're thrilled you've chosen Fantastic Furniture
to help create a home you'll love



Fantastic Furniture

Love it? Share it!

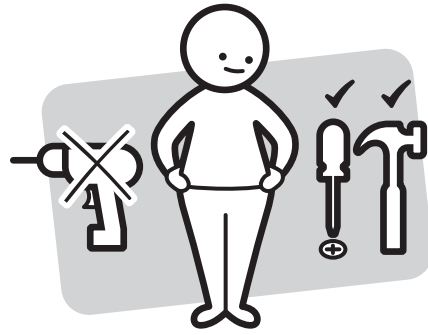
Fantastic buy! Share how it looks at home for your
chance to win a \$250 Fantastic Furniture Gift Card!

fantasticfurniture

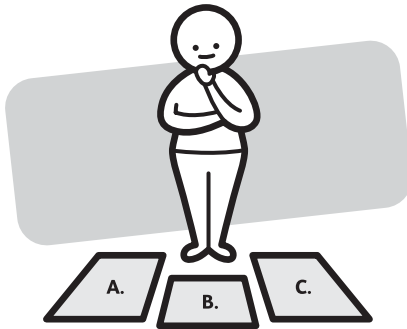
Assembly Checklist



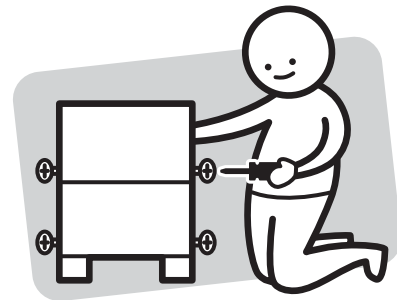
Read through the instructions carefully before you begin.



Make sure you have all the required tools. Never use power tools unless instructed.



Identify and lay out all of the components before you begin assembly.



Unless instructed, do not fully tighten screws until the item is fully assembled.

Useful Information

- ! Never use power tools unless specifically instructed. They can damage your components or hardware if used incorrectly.
- ! The most common mistakes made during assembly are using the wrong hardware or getting components back to front.
- ! Always use a soft surface (such as carpet or cardboard) when assembling your product to avoid scratching or damaging the surface of the product.
- ! Bulky items such as wardrobes and bunk beds should be assembled in the room they will be used in as they may not fit through a door once assembled.
- ! Never use any glue until you are certain that the parts belong together.
- ! Periodically check and re-tighten all fasteners. Check the product care label or website for product care instructions.
- ! If you are having any difficulties assembling your product, missing any hardware or components please visit our website Help Centre for further assistance.
- ! Please see page 2 for any safety requirements or weight restrictions.

What you need

to assemble the product



DO NOT USE

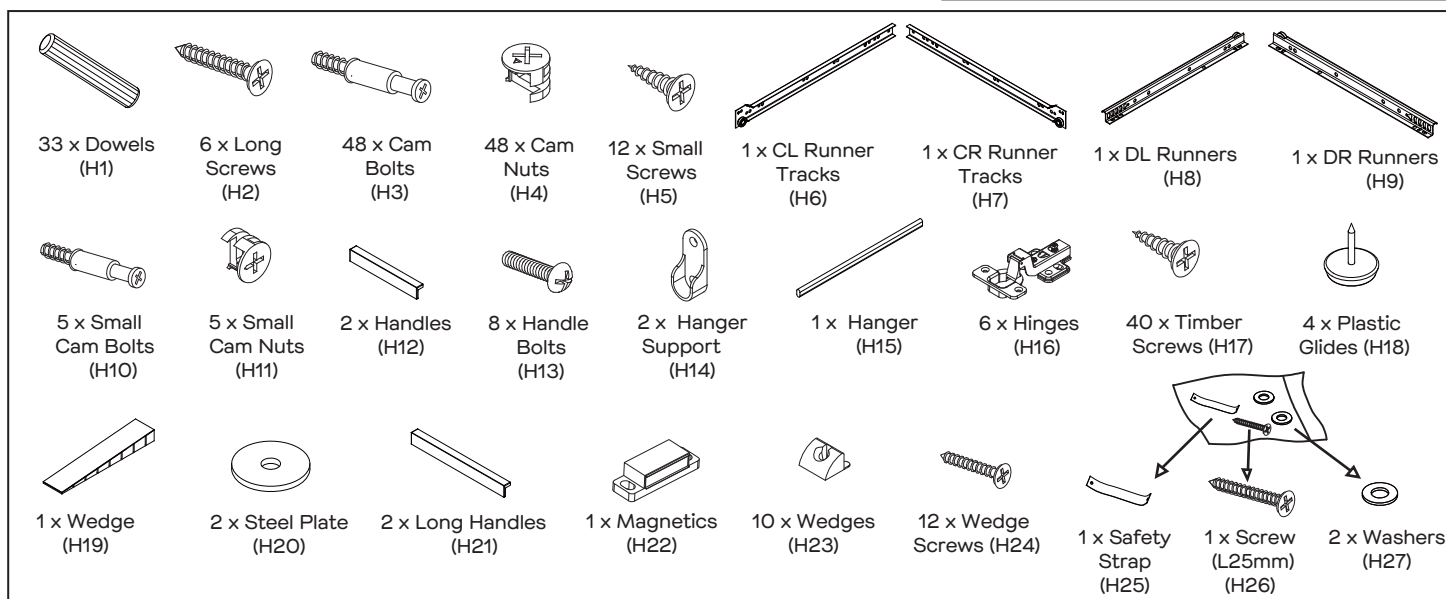
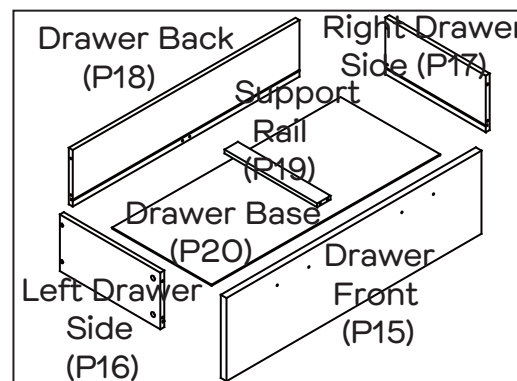
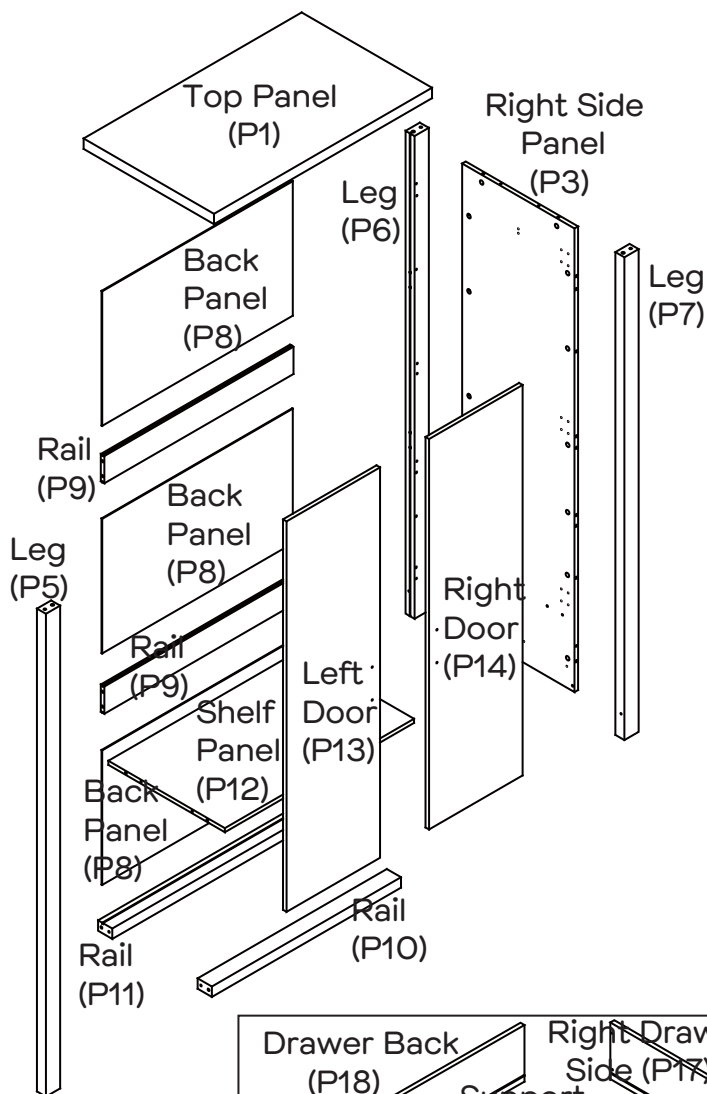
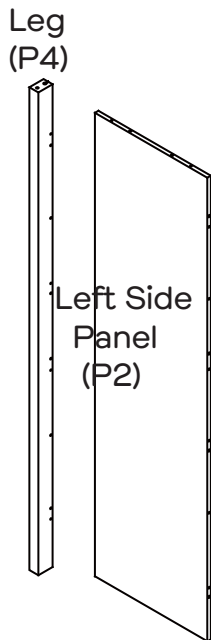


Other tools you need:
Phillips head screwdriver;
Hammer

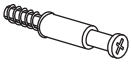



Parts list

Top Panel (P1);
Left Side Panel (P2);
Right Side Panel (P3);
Leg (P4);
Leg (P5);
Leg (P6);
Leg (P7);
3 x Back Panels (P8);
2 x Rail (P9);
Rail (P10);
Rail (P11);
Shelf Panel (P12);
Left Door (P13);
Right Door (P14);
Drawer Fronts (P15);
Left Drawer Sides (P16);
Right Drawer Sides (P17);
Drawer Back (P18);
Support Rail (P19); Drawer Base (P20)

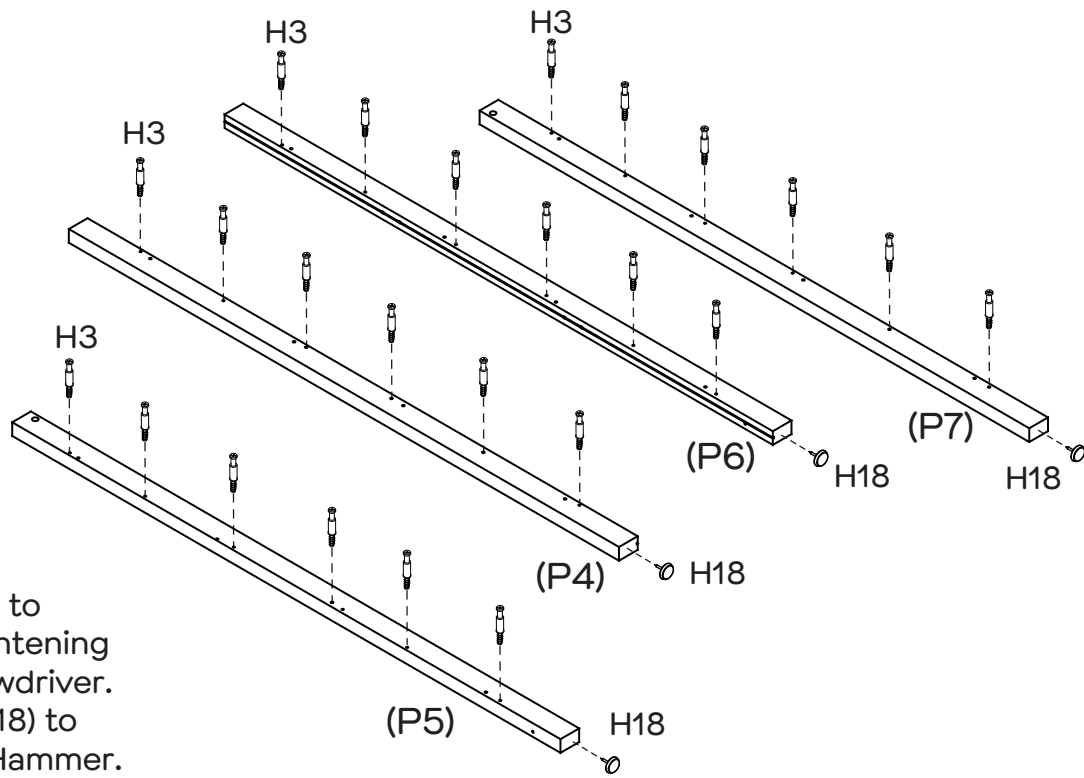
Hardware pack




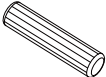

Step 1

| You will need | |
|---|---|
|  |  |
| 24 x Cam Bolts (H3) | 4 x Plastic Glides (H18) |
|  |  |
| Phillips Head Screwdriver | Hammer |

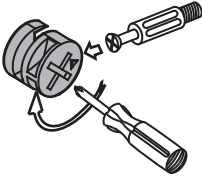
Secure 24 x Cam Bolts (H3) to Legs (P4, P5, P6, P7) by tightening with the Phillips Head Screwdriver. Attach 4 x Plastic Glides (H18) to Legs (P4&P5&P6&P7) by a Hammer.



Step 2

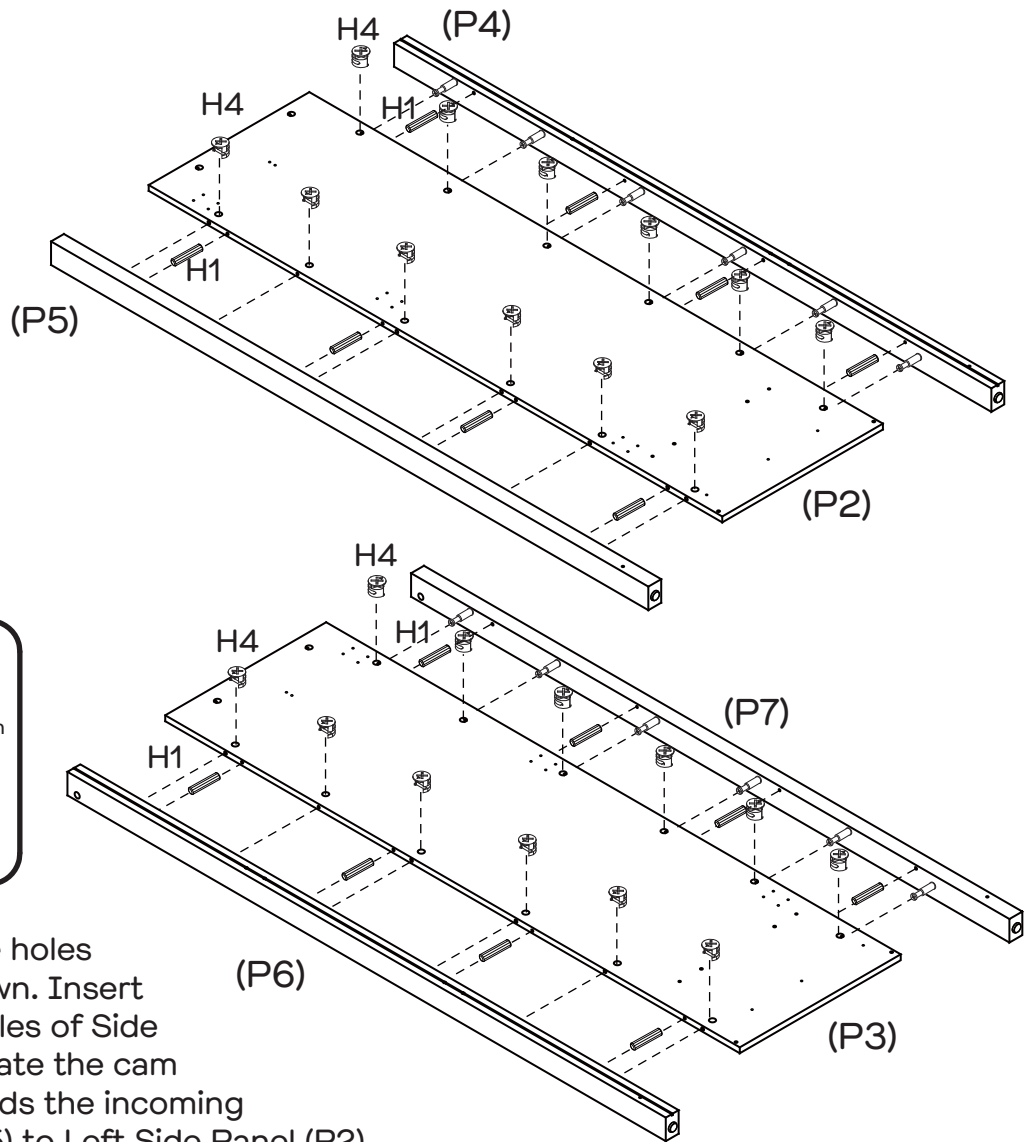
| You will need | |
|---|---|
|  |  |
| 24 x Cam Nuts (H4) | 16 x Dowels (H1) |
|  | |
| Phillips Head Screwdriver | |

This is how a cam nut works.....

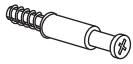

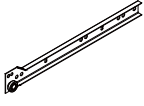



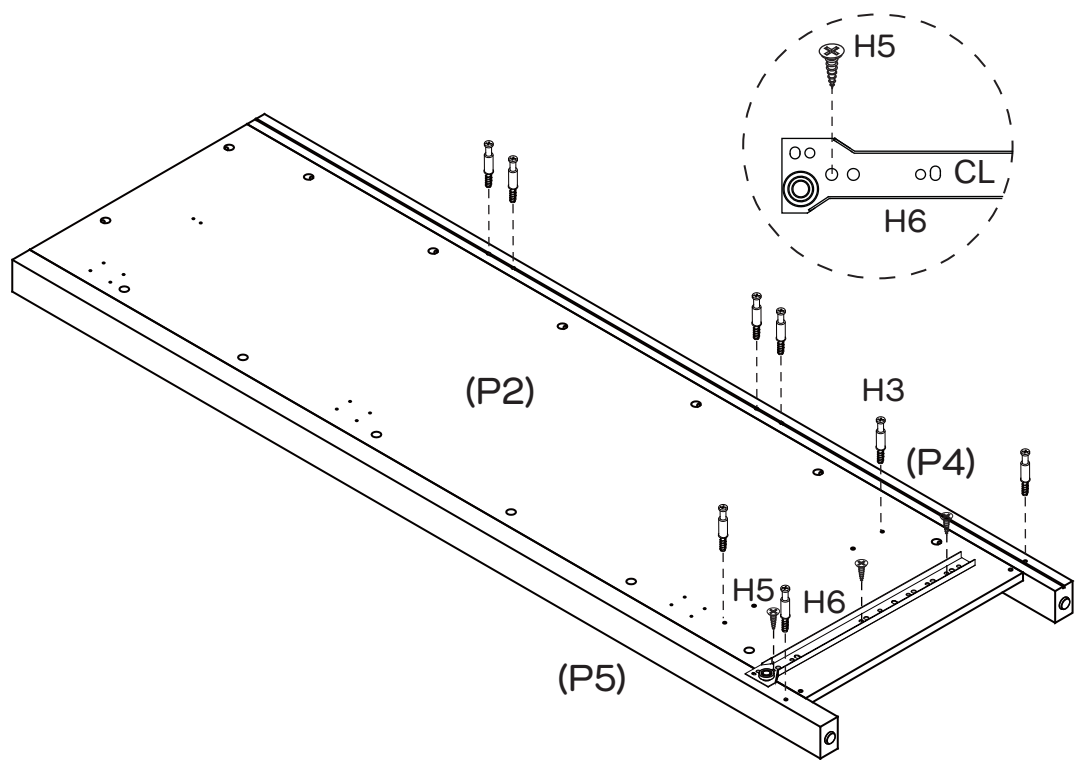
The head of the cam bolt goes into the open mouth of the cam nut. You then turn the cam nut so the arrows point towards the incoming cam bolts. You then turn the cam nut so it tightens over the bolt.

Insert 16 x Dowels (H1) into the holes of Side Panels (P2&P3) as shown. Insert 24 x Cam Nuts (H4) into the holes of Side Panels (P2& P3) as shown. Rotate the cam nuts so the arrows point towards the incoming cam bolts. Attach Legs (P4&P5) to Left Side Panel (P2) and Legs (P6&P7) to Right Side Panel (P3). Tightening Cam Nuts with the Phillips Head Screwdriver.



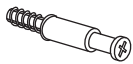

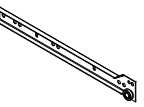

Step 3

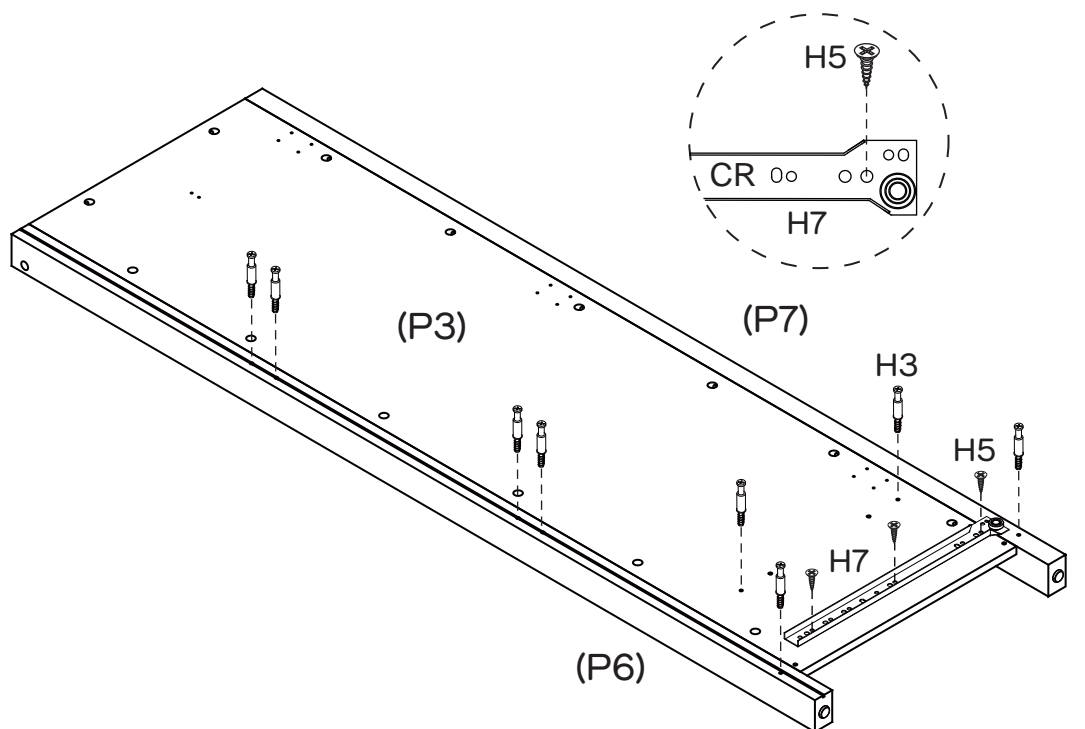
| You will need | |
|--|---|
|  |  |
| 8 x Cam Bolts (H3) | 3 x Small Screws (H5) |
|  |  |
| 1 x CL Runner Track (H6) | Phillips Head Screwdriver |



Secure 8 x Cam Bolts (H3) to Legs (P4&P5) and Side Panel (P2) as shown by tightening with the Phillips Head Screwdriver. Attach 1x CL Runner (H6) to Left Side Panel (P2) with 3 x Small Screws (H5) by tightening with the Phillips Head Screwdriver.

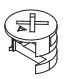
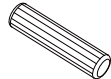

Step 4

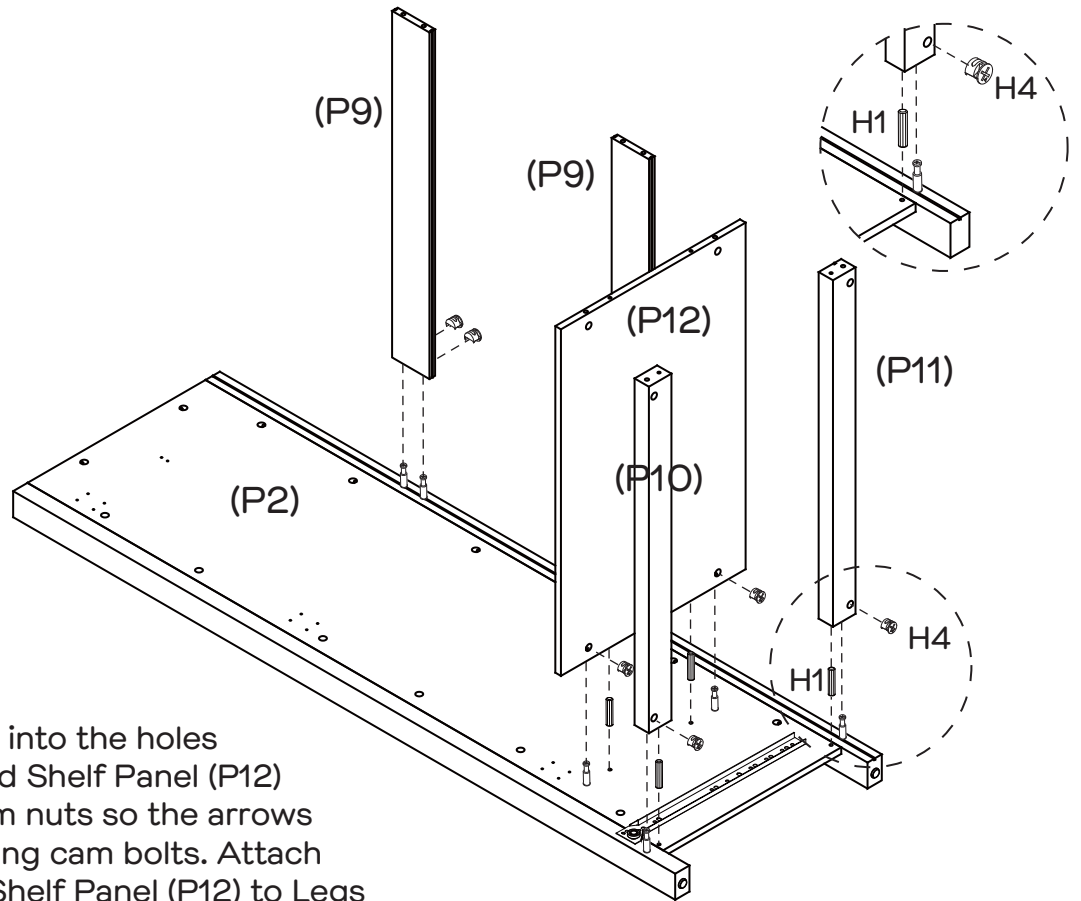
| You will need | |
|--|---|
|  |  |
| 8 x Cam Bolts (H3) | 3 x Small Screws (H5) |
|  |  |
| 1 x CR Runner Track (H7) | Phillips Head Screwdriver |



Secure 8 x Cam Bolts (H3) to Legs (P6&P7) and Right Panel (P3) as shown by tightening with the Phillips Head Screwdriver. Attach 1x CR Runner (H7) to Right Side Panel (P3) with 3 x Small Screws (H5) by tightening with the Phillips Head Screwdriver.

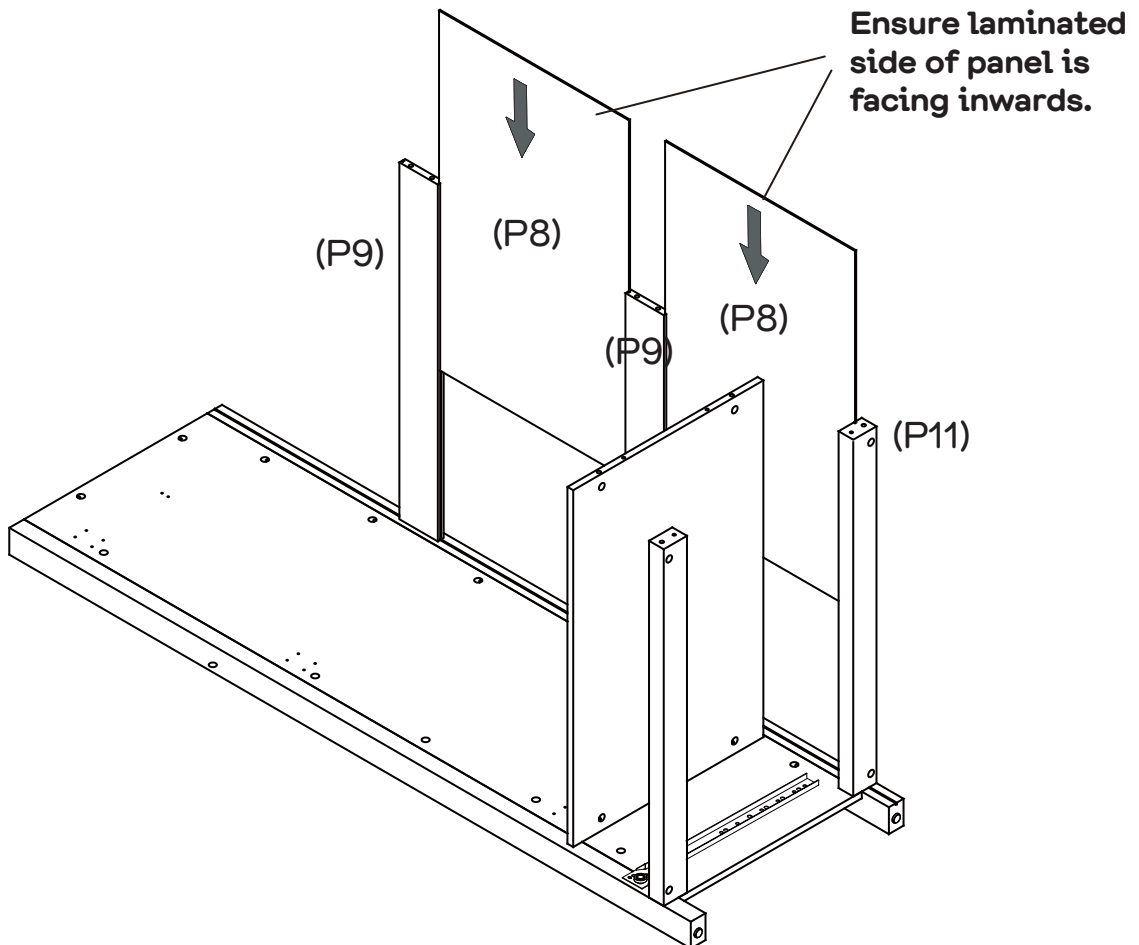
Step 5

| You will need | |
|---|---|
|  |  |
| 8 x Cam Nuts (H4) | 4 x Dowels (H1) |
|  | |
| Phillips Head Screwdriver | |



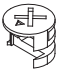
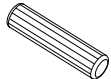

Insert 8 x Cam Nuts (H4) into the holes of Rails (P9&P10&P11) and Shelf Panel (P12) as shown. Rotate the cam nuts so the arrows point towards the incoming cam bolts. Attach Rails (P9&P10&P11) and Shelf Panel (P12) to Legs (P4&P5) and Side Panel (P2) as shown by tightening with the Phillips Head Screwdriver.

Step 6



Slide the Back Panels (P8x2) into the grooves of Rails (P9x2 &P11) as shown.

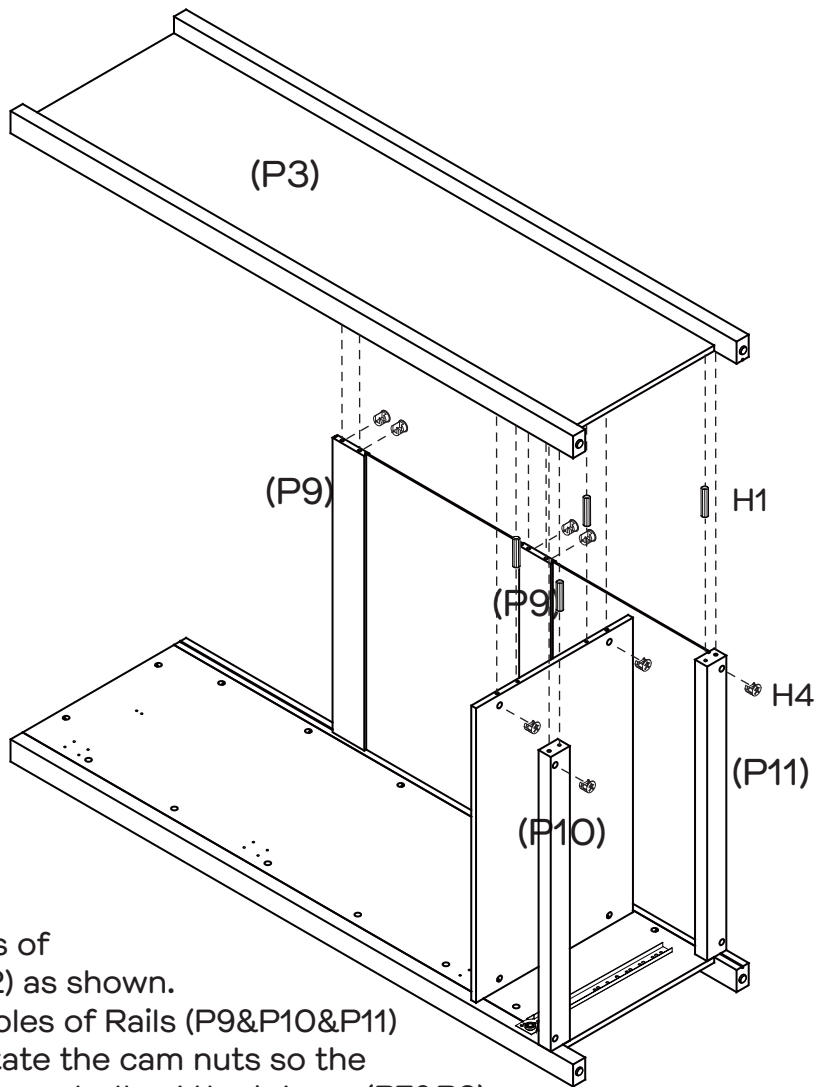
Step 7

| You will need | |
|---|---|
|  |  |
| 8 x Cam Nuts (H4) | 4 x Dowels (H1) |
|  | |
| Phillips Head Screwdriver | |

Two People



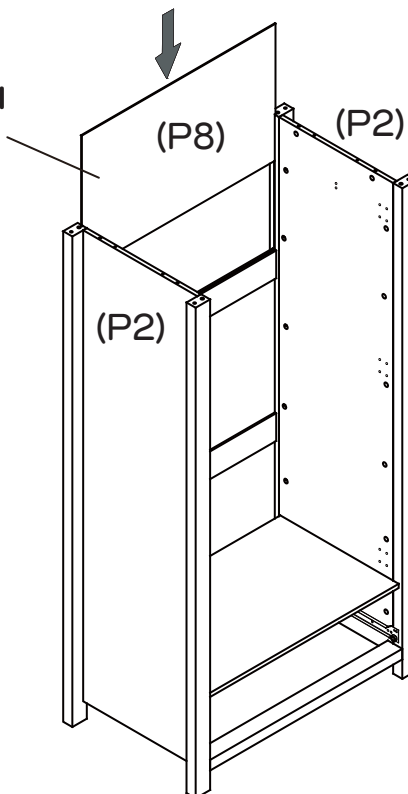
Required



Insert 4 x Dowels (H1) into the holes of Rails (P10&P11) and Shelf Panel (P12) as shown. Insert 8 x Cam Nuts (H4) into the holes of Rails (P9&P10&P11) and Shelf Panel (P12) as shown. Rotate the cam nuts so the arrows point towards the incoming cam bolts. Attach Legs (P7&P8) and Side Panel (P3) to Rails (P9&P10&P11) and Shelf Panel (P12) as shown by tightening with the Phillips Head Screwdriver.

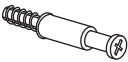

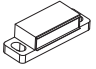

Step 8

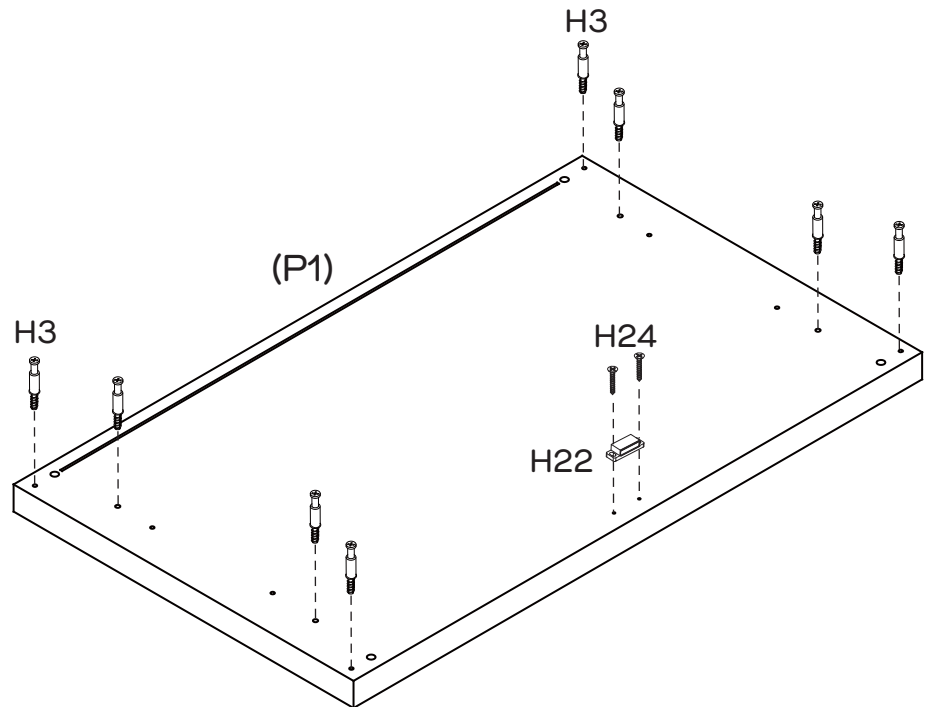
Ensure laminated side of panel is facing inwards.



Slide the Back Panel (P8) into the grooves of legs (P4 &P6) as shown.

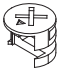


Step 9

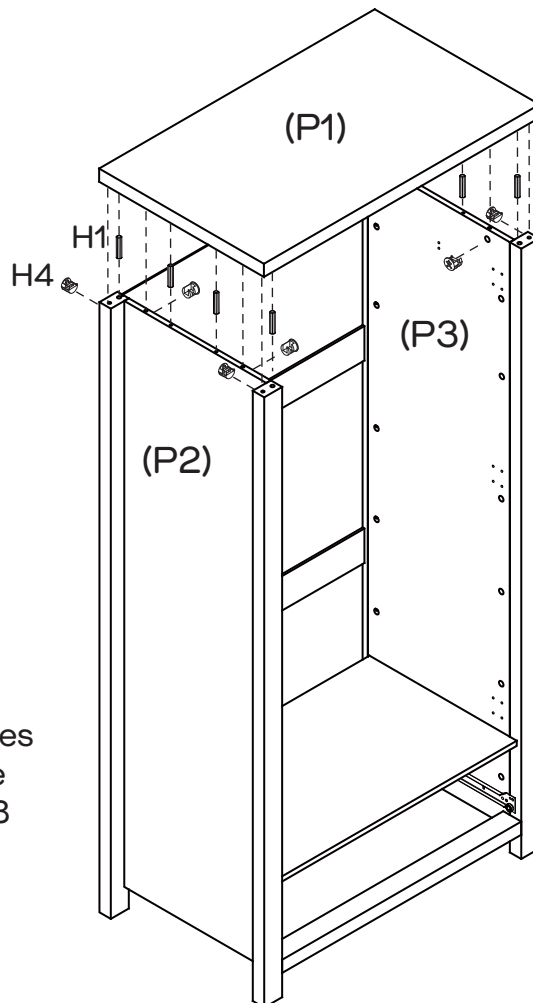
| You will need | |
|---|---|
|  |  |
| 8 x Cam Bolts (H3) | 2 x Wedge Screws (H24) |
|  |  |
| 1 x Magnetics (H22) | Phillips Head Screwdriver |



Secure 8 x Cam Bolts (H3) to Top Panel (P1) by tightening with the Phillips Head Screwdriver. Attach 1 x Magnetics (H22) to Top Panel (P1) using Wedge Screws (H24) by tightening with the Phillips Head Screwdriver.


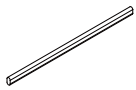


Step 10

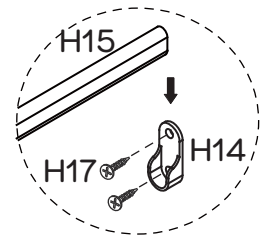
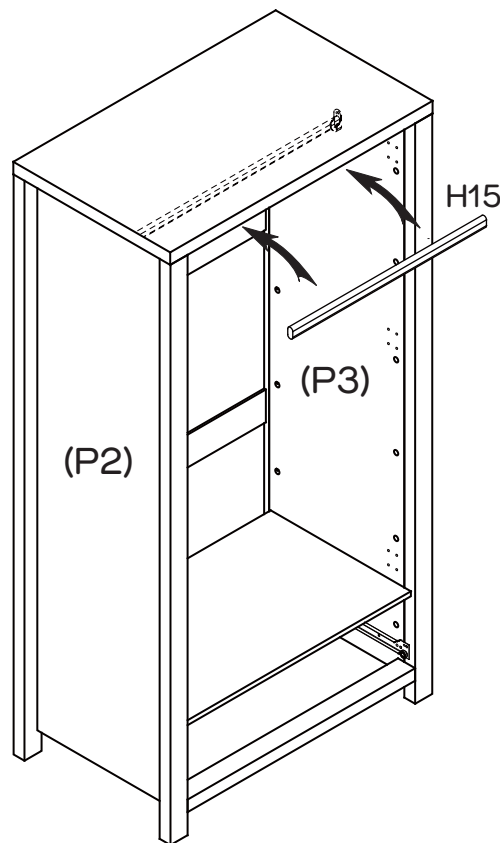
| You will need | |
|---|---|
|  |  |
| 8 x Cam Nuts (H4) | 8 x Dowels (H1) |
|  | |
| Phillips Head Screwdriver | |



Insert 8 x Dowels (H1) into the holes of Legs (P4&P5&P6&P7) and Side Panels (P2&P3) as shown. Insert 8 x Cam Nuts (H4) into the holes of Legs (P4&P5&P6&P7) and Side Panels (P2&P3) as shown. Rotate the cam nuts so the arrows point towards the incoming cam bolts. Attach Top Panel (P1) to the unit as shown by tightening with the Phillips Head Screwdriver.

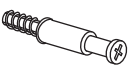

Step 11

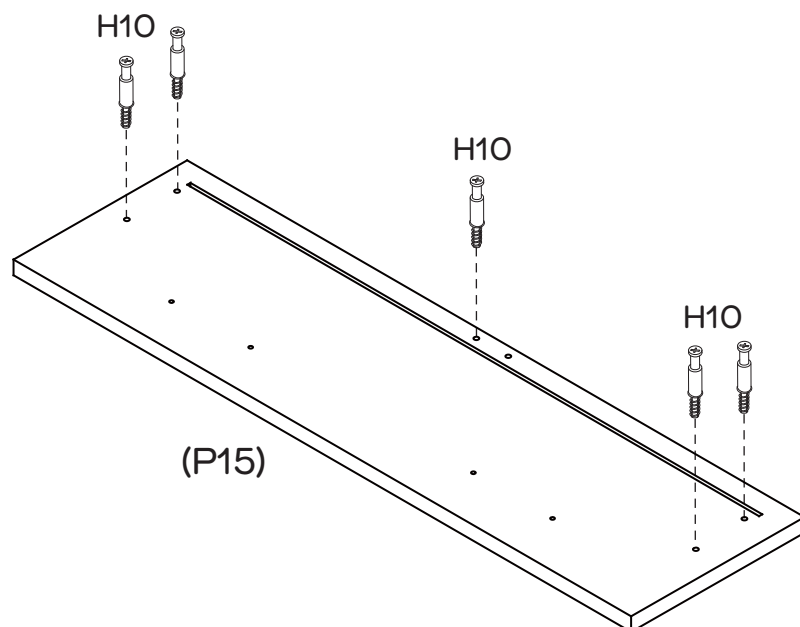
| You will need | |
|---|---|
|  |  |
| 2 x Hanger Support (H14) | 1 x Hanger (H15) |
|  |  |
| 4 x Timber Screws (H17) | Phillips Head Screwdriver |



Attach 2 x Hanger Support (H14) to Side Panels (P2&P3) with 4x Timber Screws (H17) by tightening with the Phillips Head Screwdriver. Attach 1 x Hanger (H15) to the holes of Hanger Support as shown.


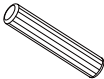

Step 12

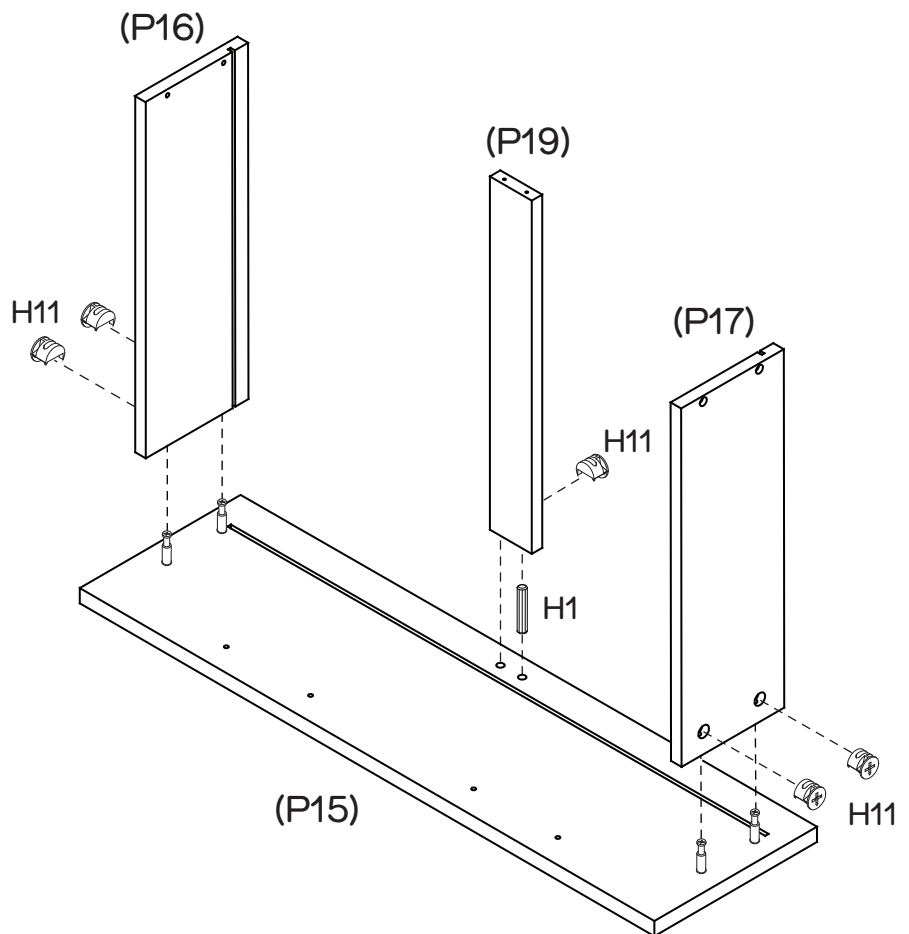
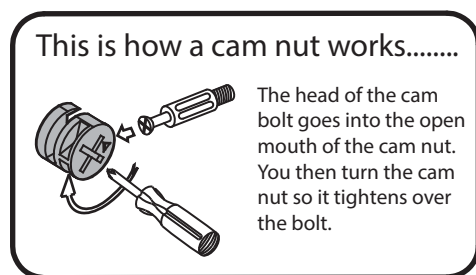
| You will need | |
|---|---|
|  |  |
| 5 x Small Cam Bolts (H10) | Phillips Head Screwdriver |



Secure 5x Small Cam Bolts (H10) to Drawer Front (P15) by tightening with the Phillips Head Screwdriver.

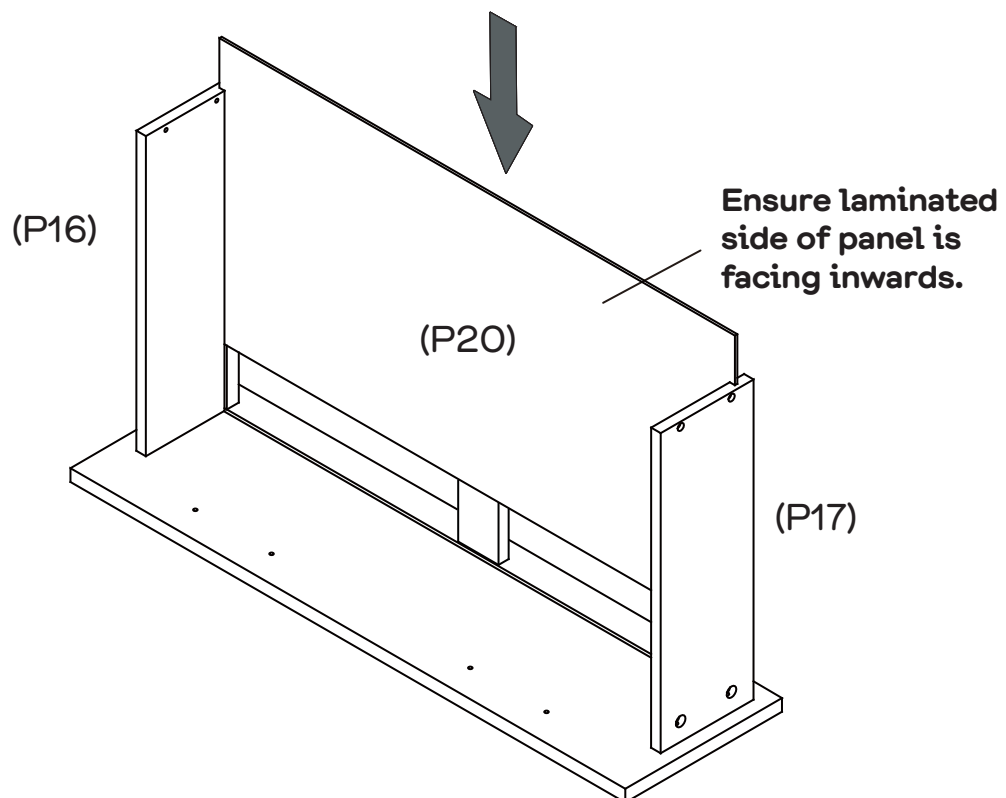
Step 13

| You will need | |
|---|---|
|  |  |
| 5 x Small Cam Nuts (H11) | 1 x Dowels (H1) |
|  | |
| Phillips Head Screwdriver | |





Insert 1 x Dowel (H1) into the hole of Drawer Front (P15). Insert 5 x Small Cam Nuts (H11) into Left & Right Drawer Sides (P16&P17), Support Rail (P19) and attach to Drawer Front (P15) by tightening Cam Nuts with the Phillips Head Screwdriver. Rotate the cam nuts so the arrows point towards the incoming cam bolts.

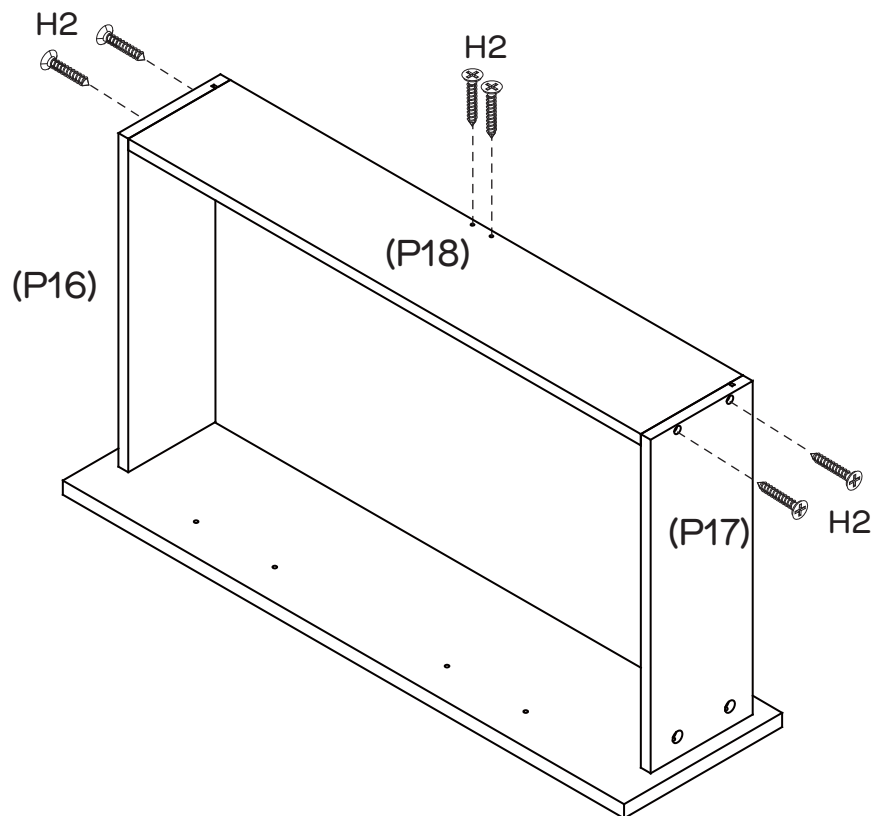
Step 14



Slide the Drawer Base (P20) into the grooves of Left & Right Drawer Sides (P16&P17) as shown.

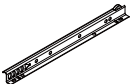
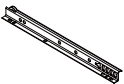


Step 15

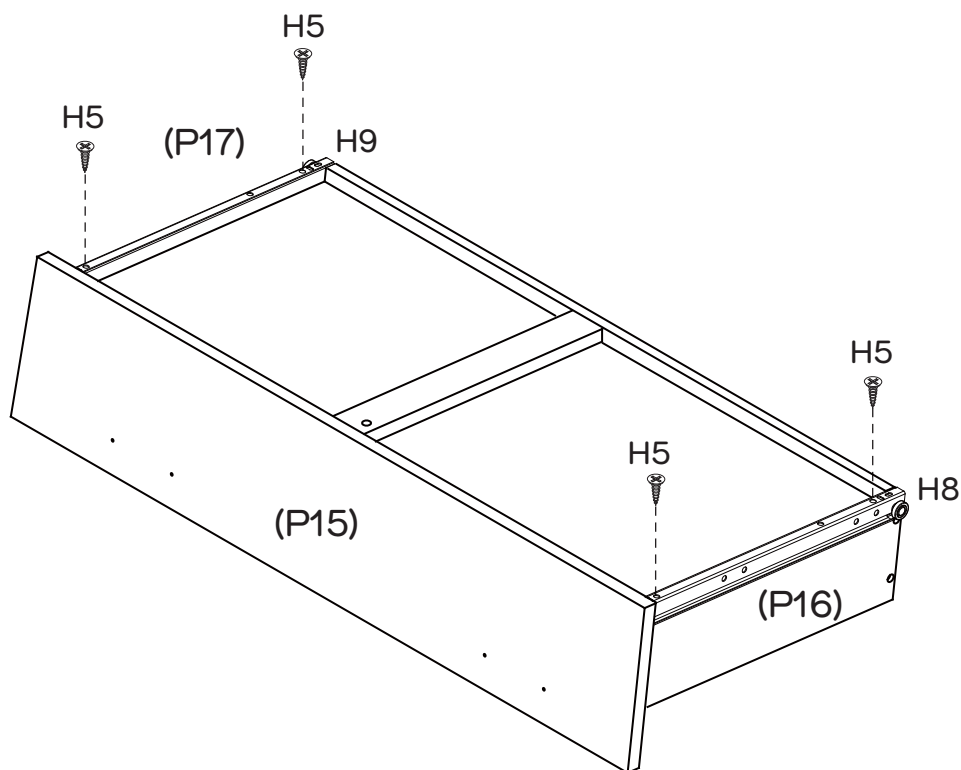
| You will need | |
|---|---|
|  |  |
| 6 x Long Screws (H2) | Phillips Head Screwdriver |



Attach Drawer Back (P18) to Left & Right Drawer Sides (P16&P17) and Rail (P19) with 6 x Long Screws (H2) by tightening with the Phillips Head Screwdriver. Before securing - Ensure the Bottom Panel lines up with the grooves the whole way around the drawer.

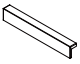
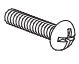

Step 16

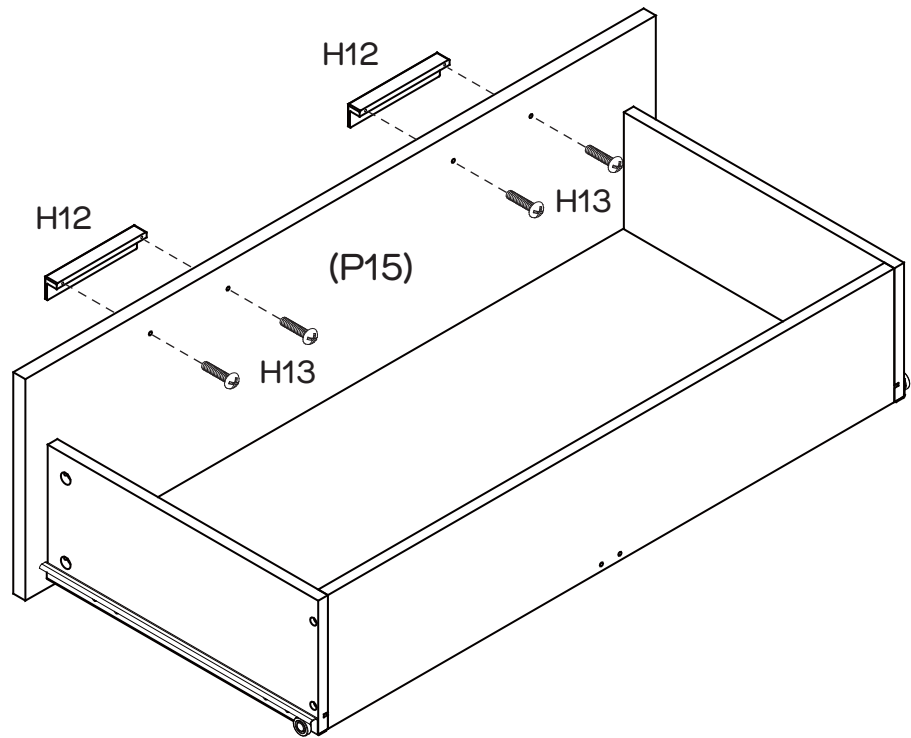
| You will need | |
|---|---|
|  |  |
| 1 x DL Runners (H8) | 1 x DR Runners (H9) |
|  |  |
| 4 x Small Screws (H5) | Phillips Head Screwdriver |



Attach 1 x DL Runner (H8) to Left Drawer Side (P16) and 1 x DR Runner (H9) to Right Drawer Side (P17) with 4 x Small Screws (H5) by tightening with the Phillips Head Screwdriver.

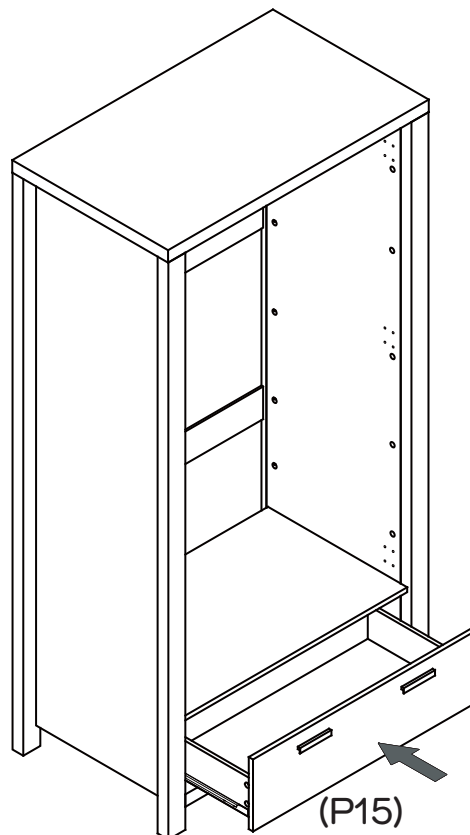
Step 17

| You will need | |
|---|---|
|  |  |
| 2 x Handles (H12) | 4 x Handle Bolts (H13) |
|  | |
| Phillips Head Screwdriver | |



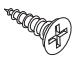
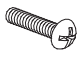
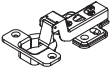
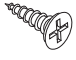



Attach 2 x Handles (H12) to Drawer Front (P15) with 4 x Handle Bolts (H13). Tighten Screws and Bolts using a Phillips head screwdriver.

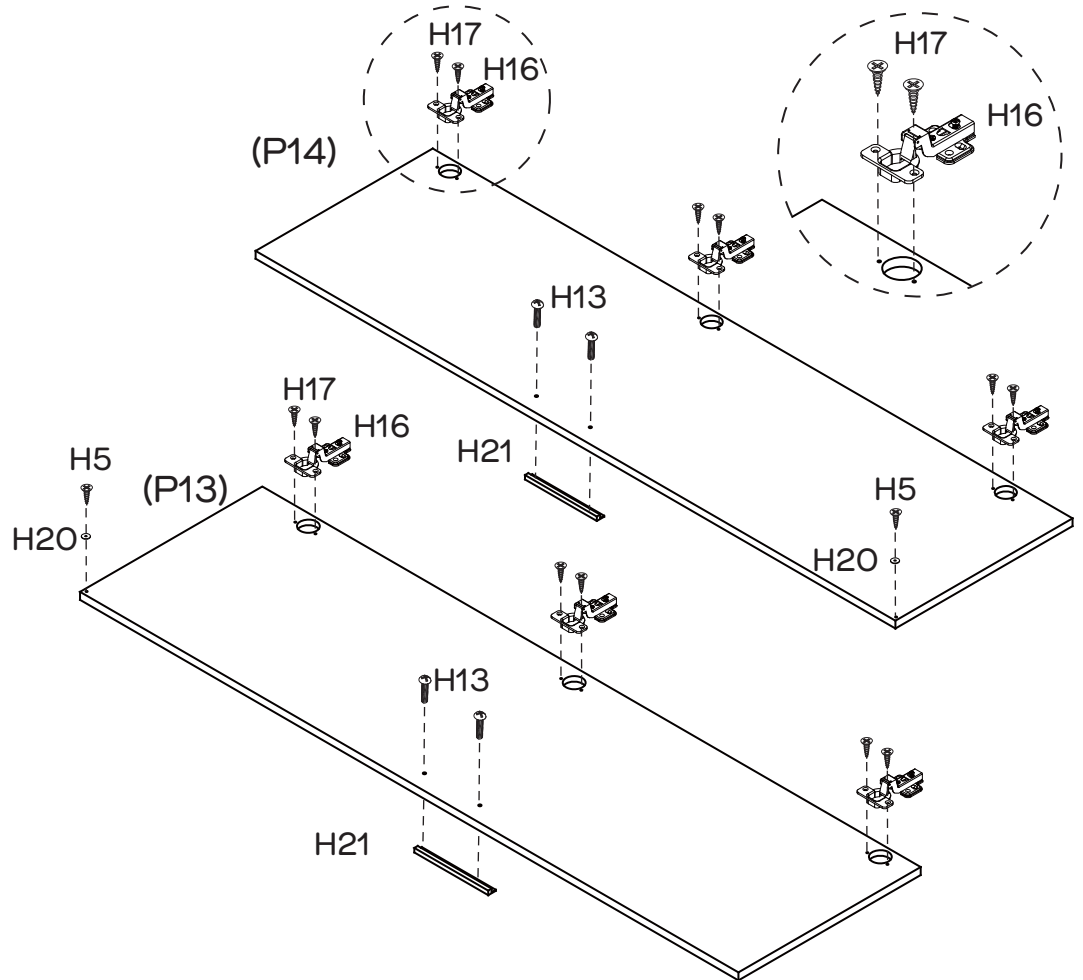
Step 18



Insert the assembled drawer into the unit by gently guiding the drawer runners into place.

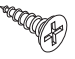

Step 19

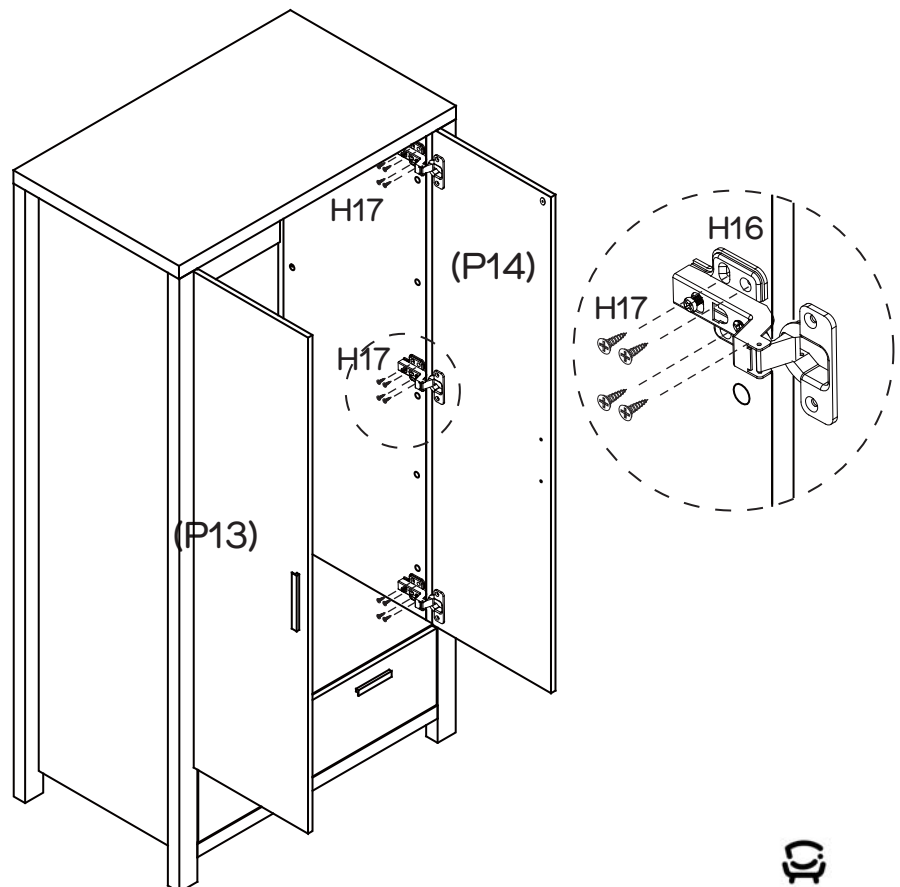
| You will need | |
|---|---|
|  |  |
| 2 x Small Screws (H5) | 4 x Handle Bolts (H13) |
|  |  |
| 6 x Hinges (H16) | 12 x Timber Screws (H17) |
|  |  |
| 2 x Steel Plate (H20) | 2 x Long Handles (H21) |
|  | |
| Phillips Head Screwdriver | |



Attach 2 x Steel Plates (H20) to Doors (P13&P14) with 2 x Small Screws (H5). Attach 6 x Hinges (H16) to Doors (P13&P14) with 12 x Timber Screws (H17). Attach 2 x Long Handles (H21) to Doors (P13&P14) with 4 x Handle Bolts (H13). Tighten Screws and Bolts using a Phillips head screwdriver.

Step 20

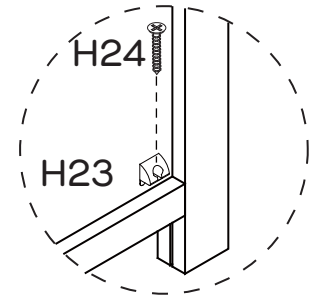
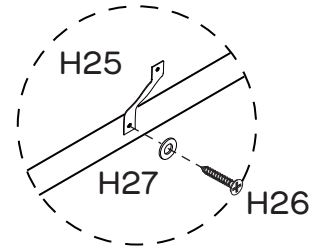
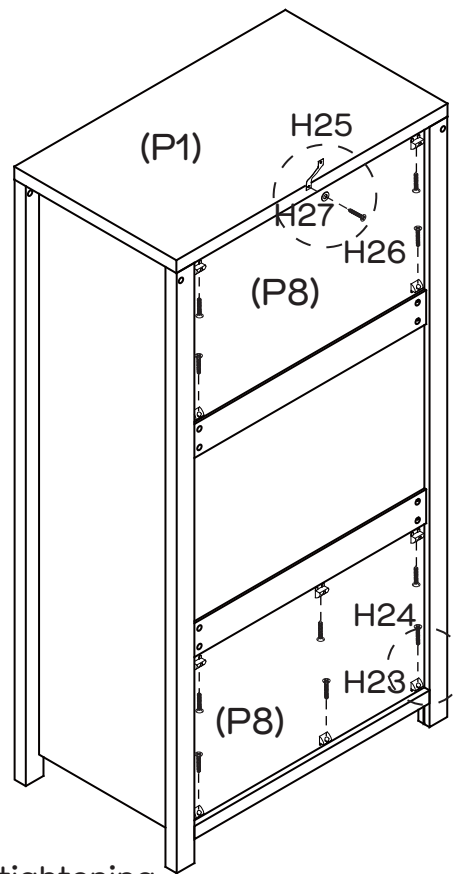
| You will need | |
|---|---|
|  |  |
| 24 x Timber Screws (H17) | Phillips Head Screwdriver |



Attach Left Door (P13) to LF Leg (P5) and Right Door (P14) to RF Leg (P7) with 24 x Timber Screws (H17). Tighten Screws using a Phillips head screwdriver.

Step 21

| You will need | |
|------------------------|------------------------------|
| | |
| 10 x Wedges (H23) | 10 x Wedge Screws (H24) |
| | |
| 1 x Safety Strap (H25) | 1 x Safety Strap Screw (H26) |
| | |
| 1 x Washer (H27) | Phillips Head Screwdriver |

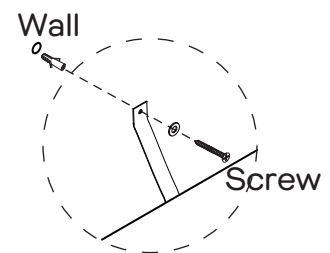
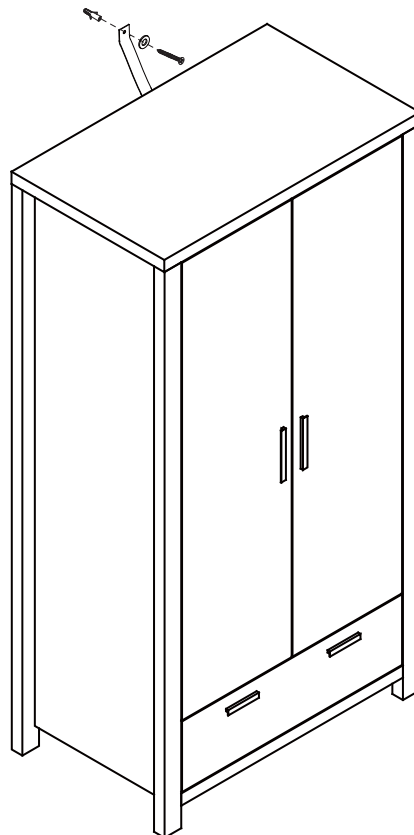


Attach 1 x Safety Strap (H25) to Top Panel (P1) with 1 x Safety Strap Screw (H26) and 1 x Washer (H27) by tightening with the Phillips Head Screwdriver. Secure Back Panels (P8x3) in place with 10 x Wedges (H23) using 10 x Wedge Screws (H24) by tightening with the Phillips Head Screwdriver.

Step 22

| You will need | |
|--|---------------------------|
| | |
| 1 x Washer (H27) | Phillips Head Screwdriver |
| Screw and Wall Plug are not provided. Please use appropriate fixtures for your wall. | |

Move the bookcase unit to the final position, and attach the safety strap to the wall securely. Make sure it is firmly attached and snug fit.

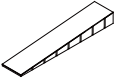


Seek advice from a qualified trades person on how to attach this safety strap to your specific wall.

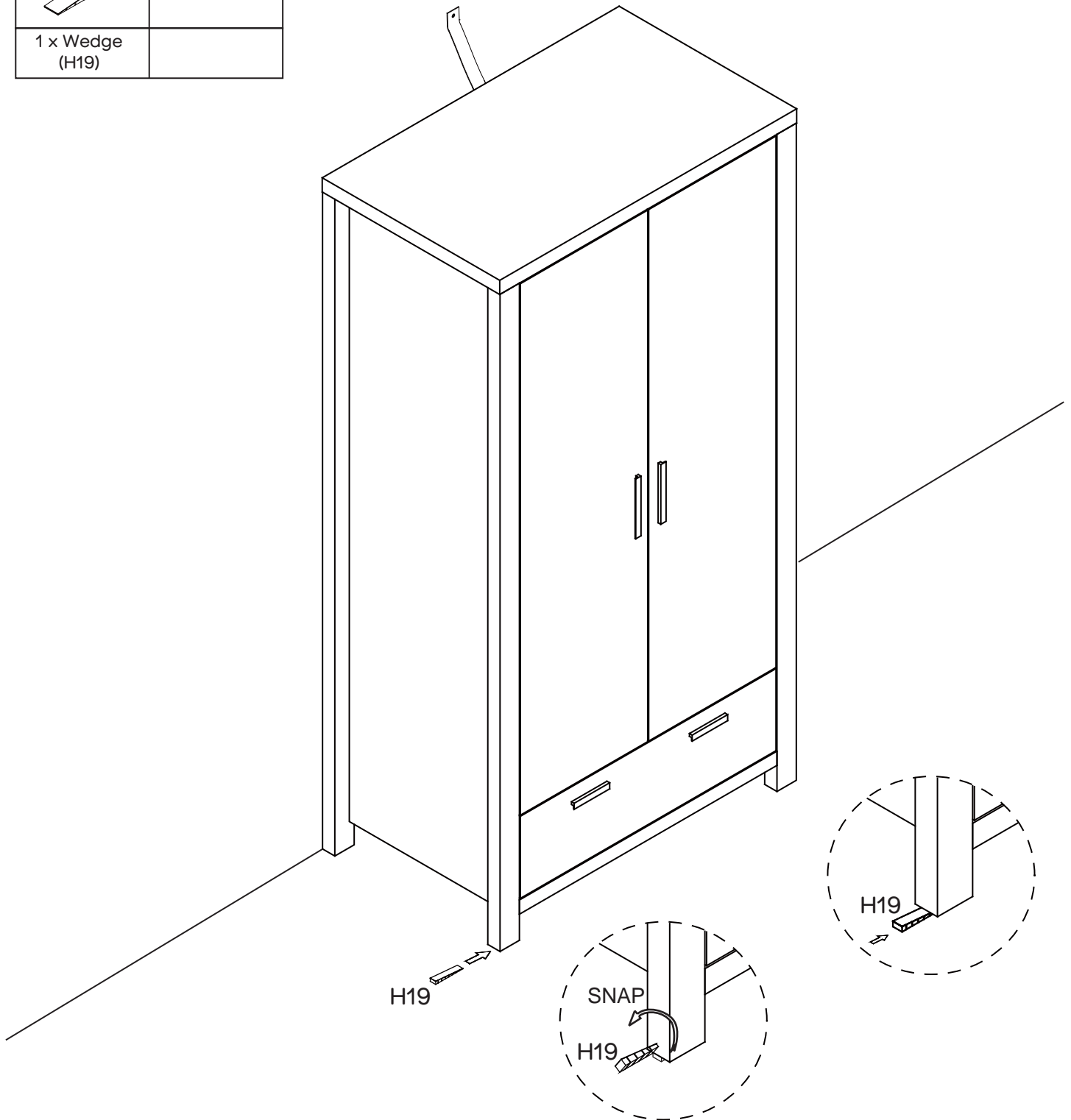
Job Complete!

In the interest of our environment please dispose of all packaging thoughtfully.

Step 23

| You will need | |
|---|--|
|  | |
| 1 x Wedge (H19) | |

OPTIONAL STEP TO LEVEL WARDROBE ON UNEVEN FLOOR

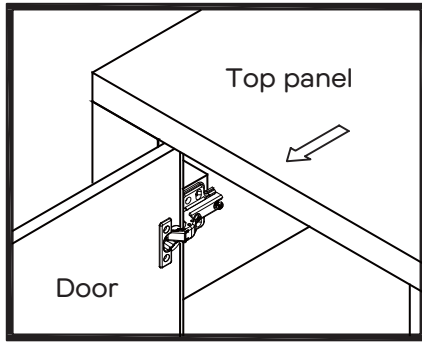


Insert the wedge (H19) under the wardrobe at the point where the floor is lowest. Push in until wardrobe is level, then snap off the excess wedge sections.

TO ADJUST YOUR DOORS TO MAKE THE GAPS MORE EVEN

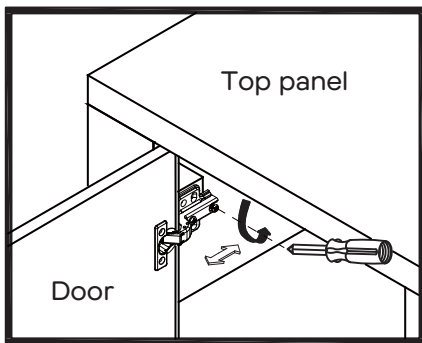
STEP 1

Open the door.



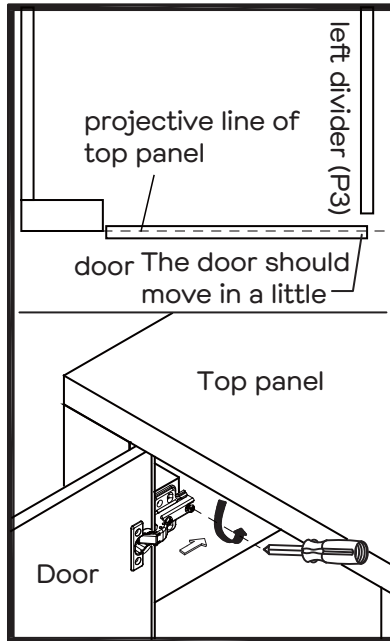
STEP 1

Adjust the door move in or out a little



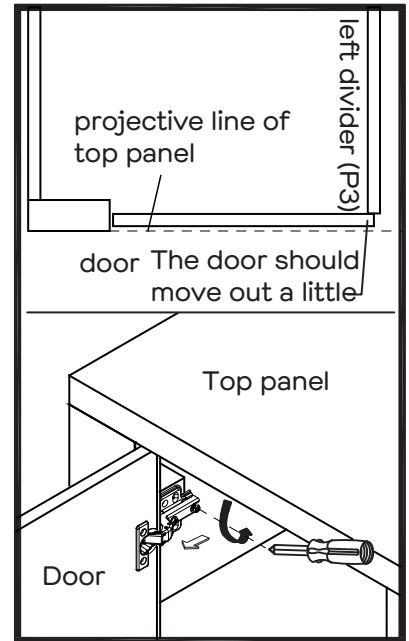
Loosen the screw indicated a little, adjust the hinge to right position (see step 2a & 2B), then tighten screw.

STEP 2a MOVE DOOR IN



Push the hinge back a little.

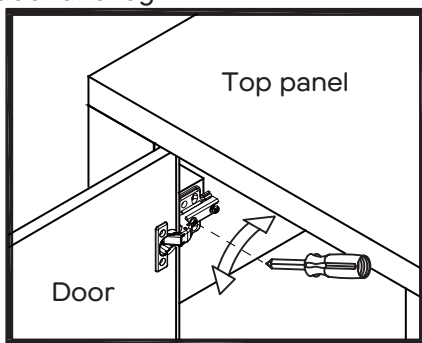
STEP 2b MOVE DOOR OUT



Pull the hinge forward a little.

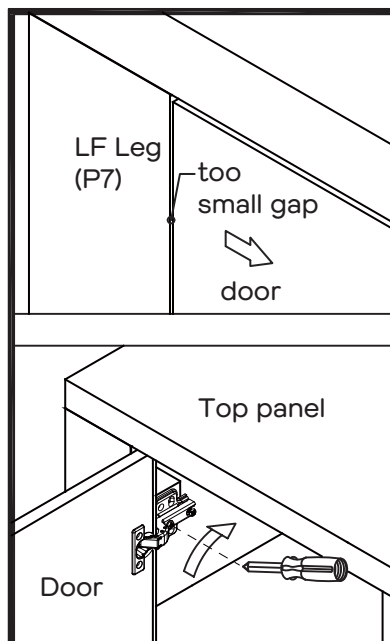
STEP 3

To adjust the gap between door and leg



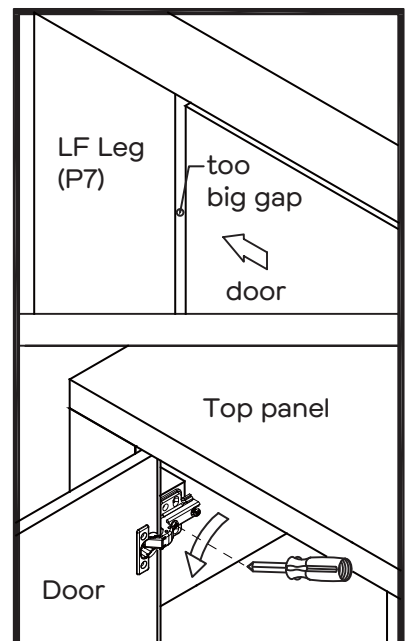
Loosen or tighten the screw indicated a little to adjust the gap between door and leg (see step 3a & step 3b)

STEP 3a MOVE DOOR RIGHT



Turn the screw clockwise a little as shown to make the gap big.

STEP 3b MOVE DOOR LEFT



Turn the screw counterclockwise a little as shown to make the gap small.