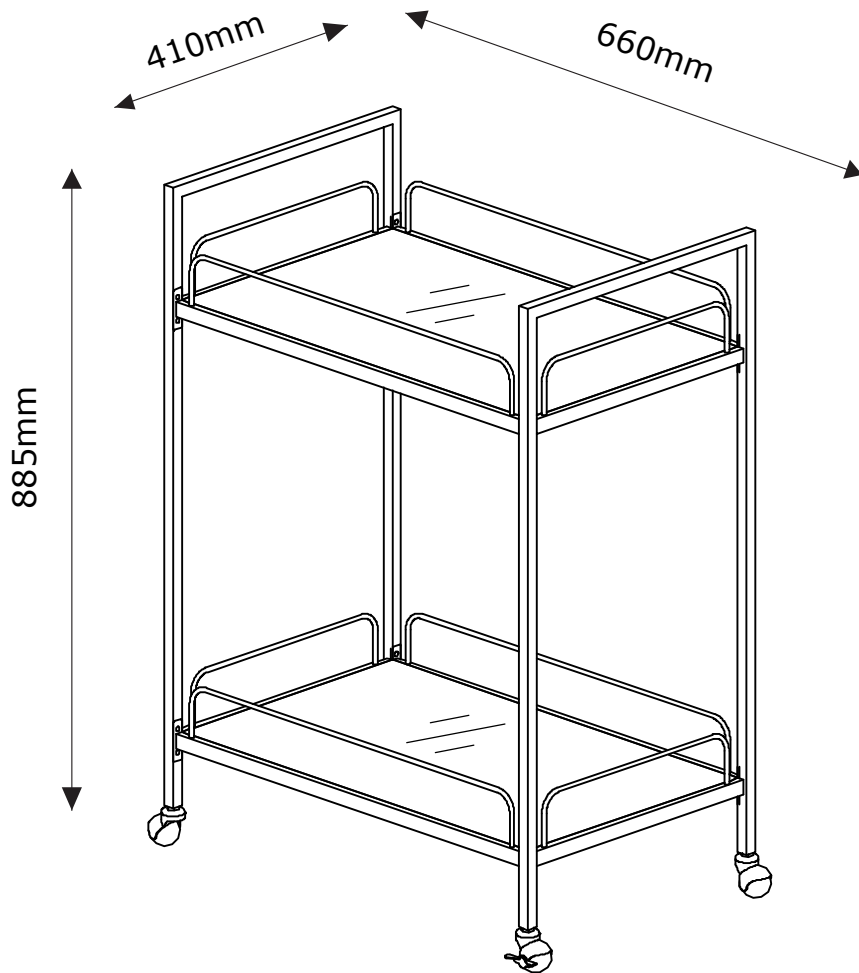


Assembly Instructions

Serving Cart



Keep these instructions for future reference

If the glass is chipped or broken, stop using the product and consult the seller.

WARNING

Do not place very hot or cold items on the glass surfaces unless adequate thick table mats are used to prevent such items from coming in contact with the glass.

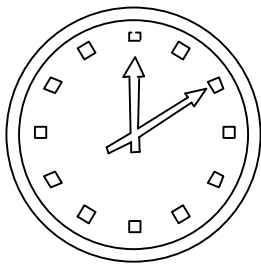
Do not sit or stand upon the glass surfaces.

Do not use the glass as a chopping surface.

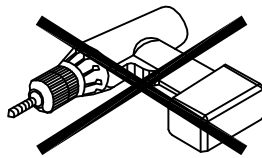
Do not strike the glass with hard or pointed items.

When cleaning the glass panels use a damp cloth with washing up liquid or soft soap if necessary,

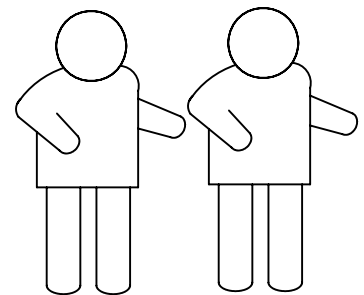
Do not use washing powders or any other substances containing abrasives since these substances scratch glass.



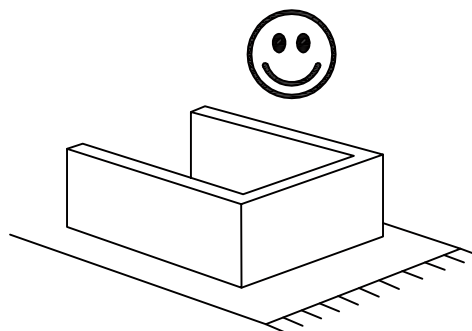
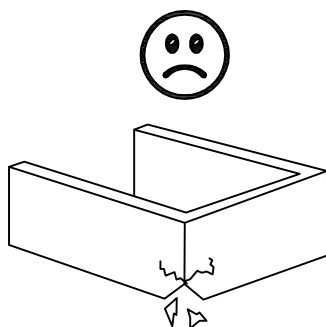
ALLOW 10 min



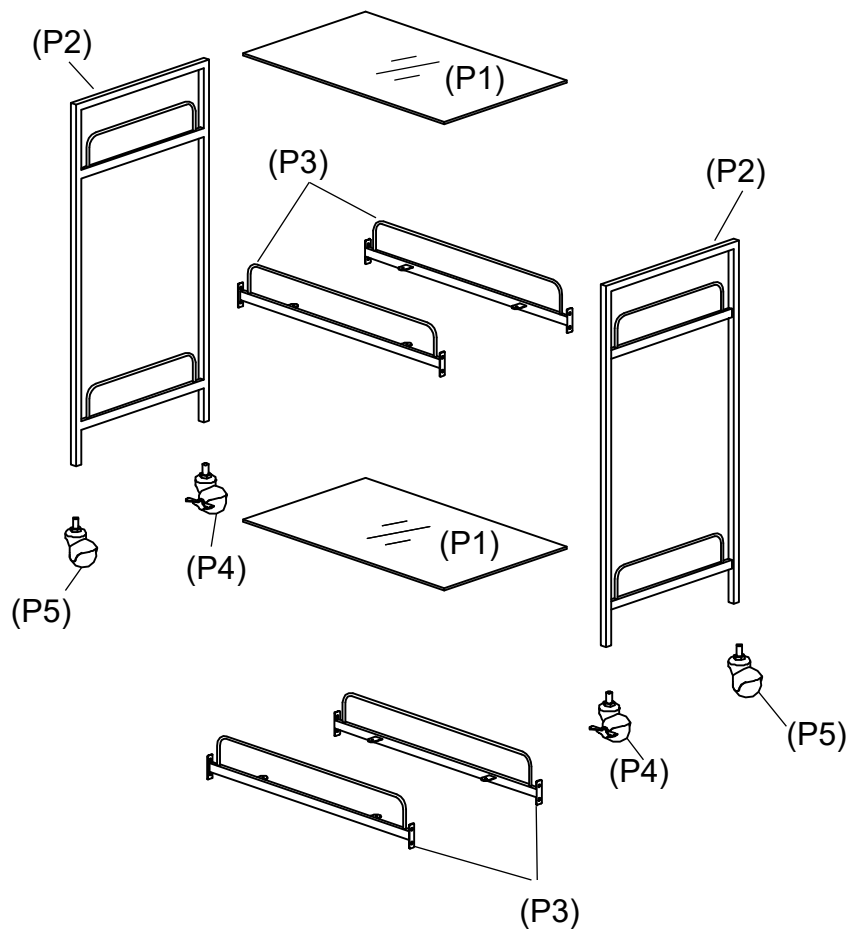
DO NOT USE ON PRODUCT




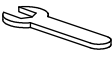


2 Person Required




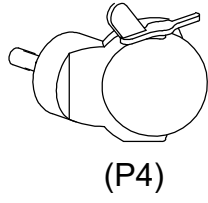
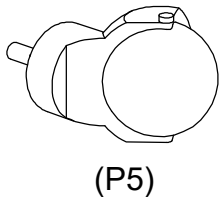
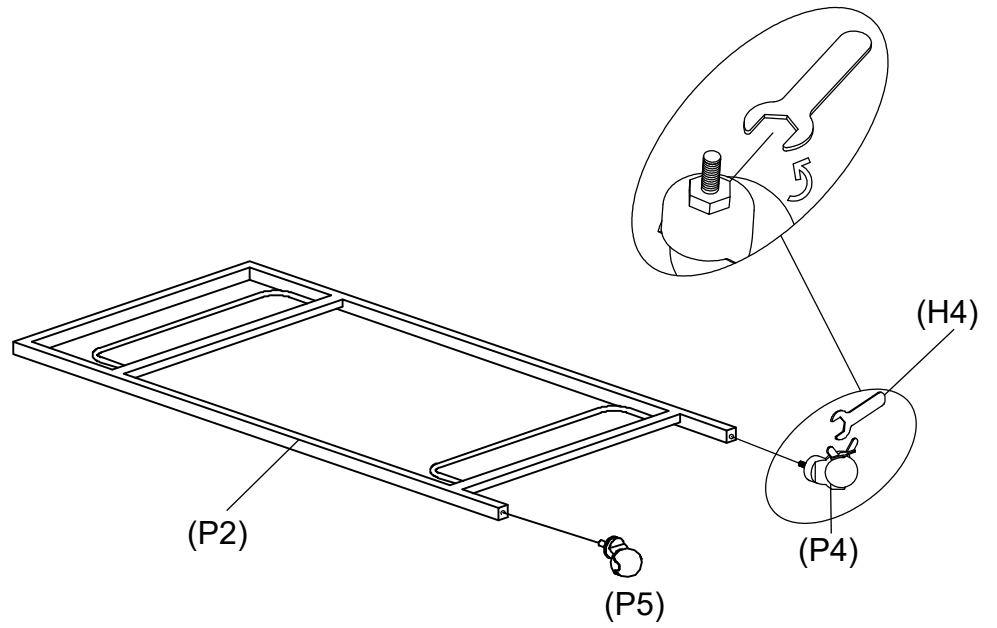
ASSEMBLE ON THE CARPET



 <p>M6x12mm 16x (H1)</p>	 <p>8x (H2)</p>	 <p>1x (H3)</p>	 <p>1x (H4)</p>
---	--	---	--



Step 1

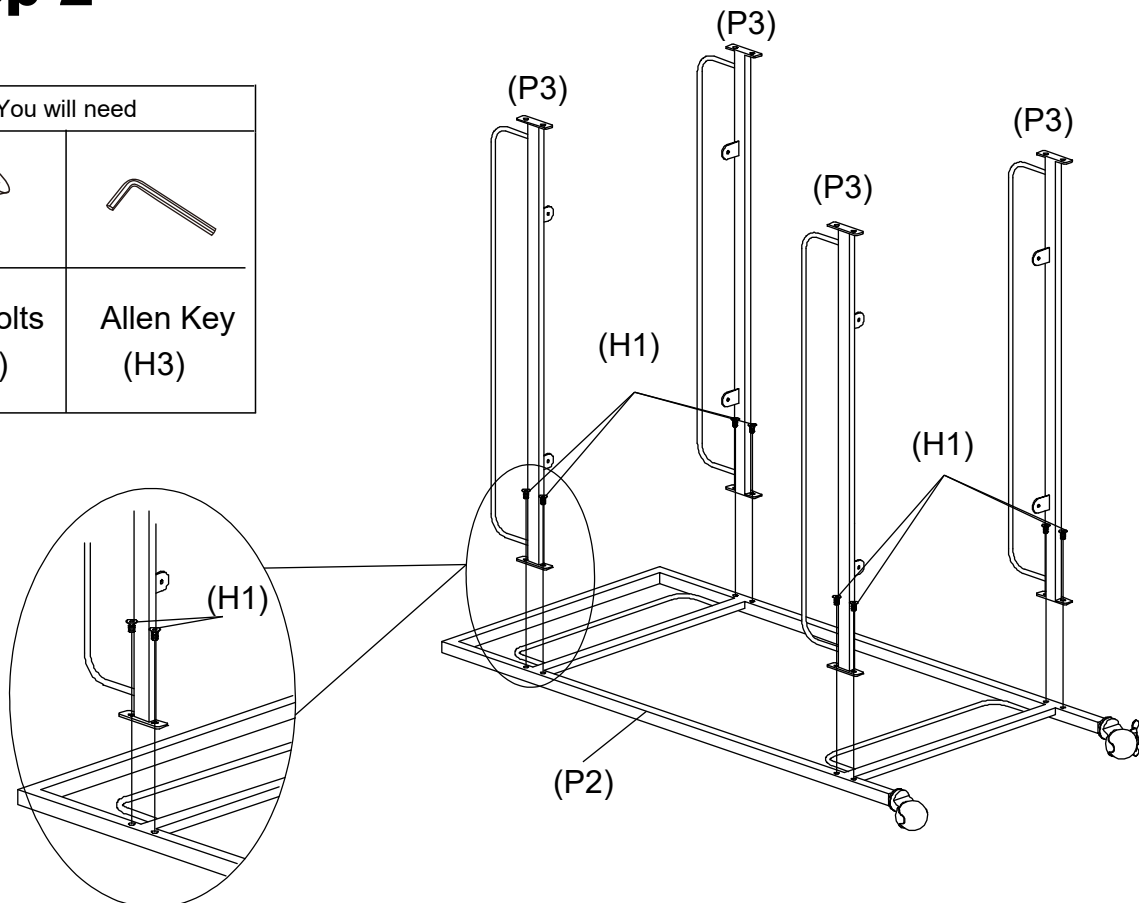
You will need	
	
Spanner (H4)	



2x



Step 2

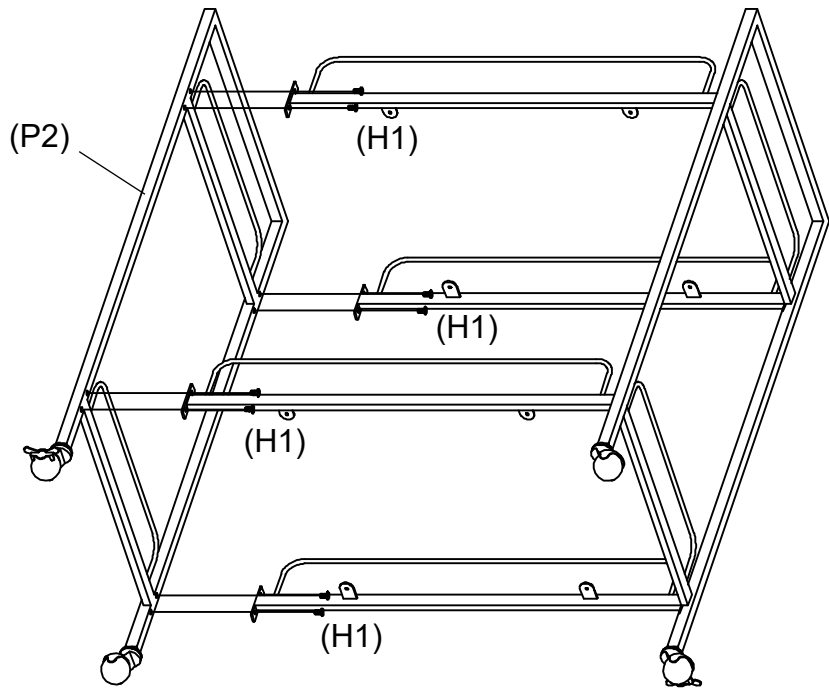
You will need	
	
8 x Bolts (H1)	Allen Key (H3)




Step 3

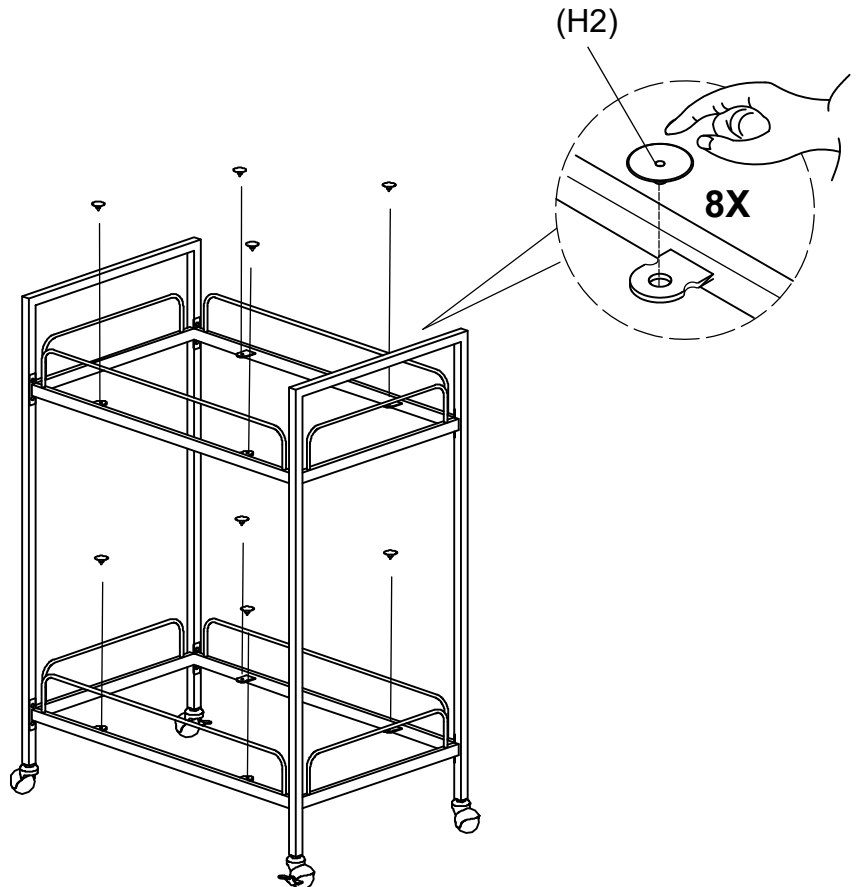


You will need	
	
8xBolts (H1)	Allen Key (H3)

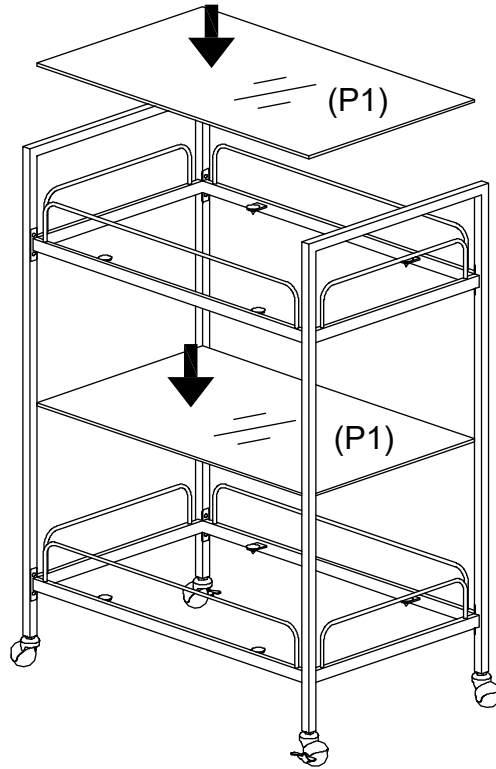


Step 4

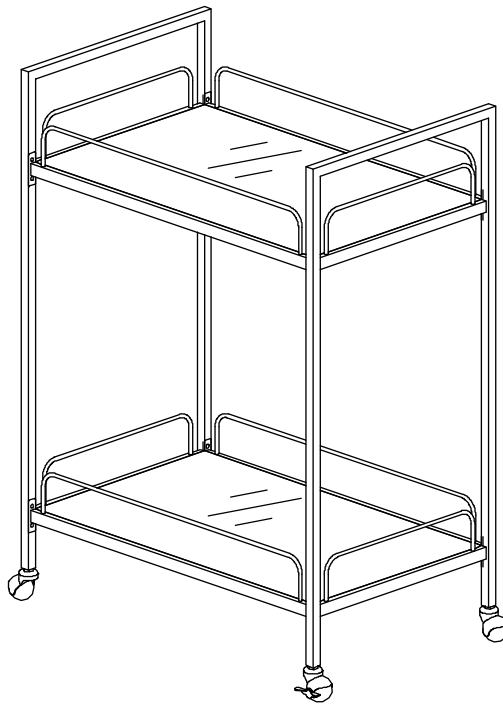
You will need	
	
8 x Suction cup (H2)	



Step 5



Step 6



Job Complete!

In the interest of our environment please dispose of all packaging thoughtfully.