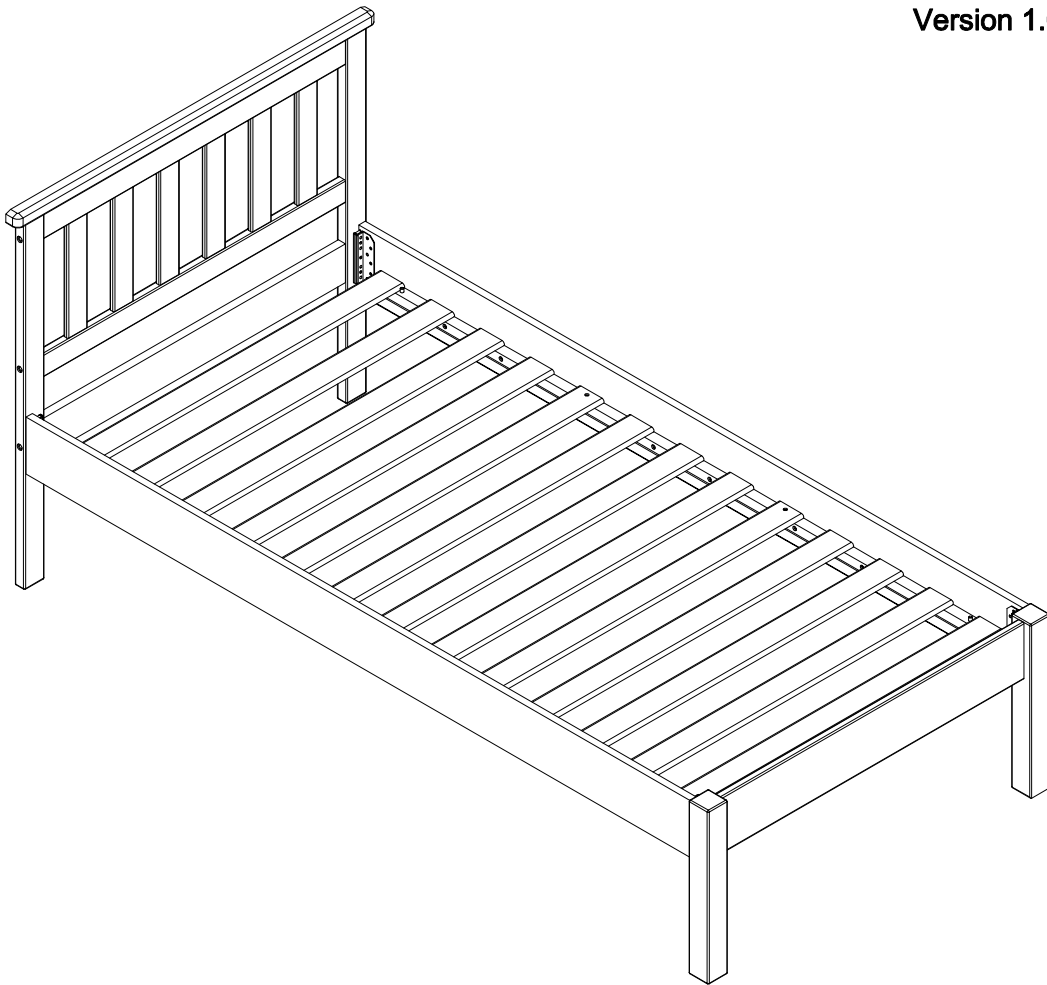




Version 1.0



TWO PEOPLE



REQUIRED

Cooper

Single Bed

www.fantasticfurniture.com.au

Enjoy
Your purchase from
Australia's Best Value Furniture Store



Assembly checklist



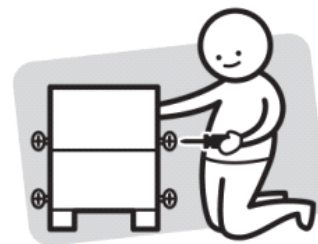
Read through the instructions carefully before you begin.



Make sure you have all the required tools. Never use power tools unless instructed.



Identify and lay out all of the components before you begin assembly.



Unless instructed, do not fully tighten screws until the item is fully assembled.

Useful Information

- ! Never use power tools unless specifically instructed. They can damage your components or hardware if used incorrectly.
- ! The most common mistakes made during assembly are using the wrong hardware or getting components back to front.
- ! Always use a soft surface (such as carpet or cardboard) when assembling your product to avoid scratching or damaging the surface of the product.
- ! Bulky items such as wardrobes and bunk bed should be assembled in the room they will be used in as they may not fit through a door once assembled.
- ! Never use any glue until you are certain that the parts belong together.
- ! Periodically check and re-tighten all fasteners. Check the product care label or website for product care instructions.
- ! If you are having any difficulties assembling your product, missing any hardware or components please visit our website Help Centre for further assistance.

What You Need

To Assemble the Product



(Other Tools You Need)
Phillips Head Screwdriver
Mallet

Part List

Box 1:

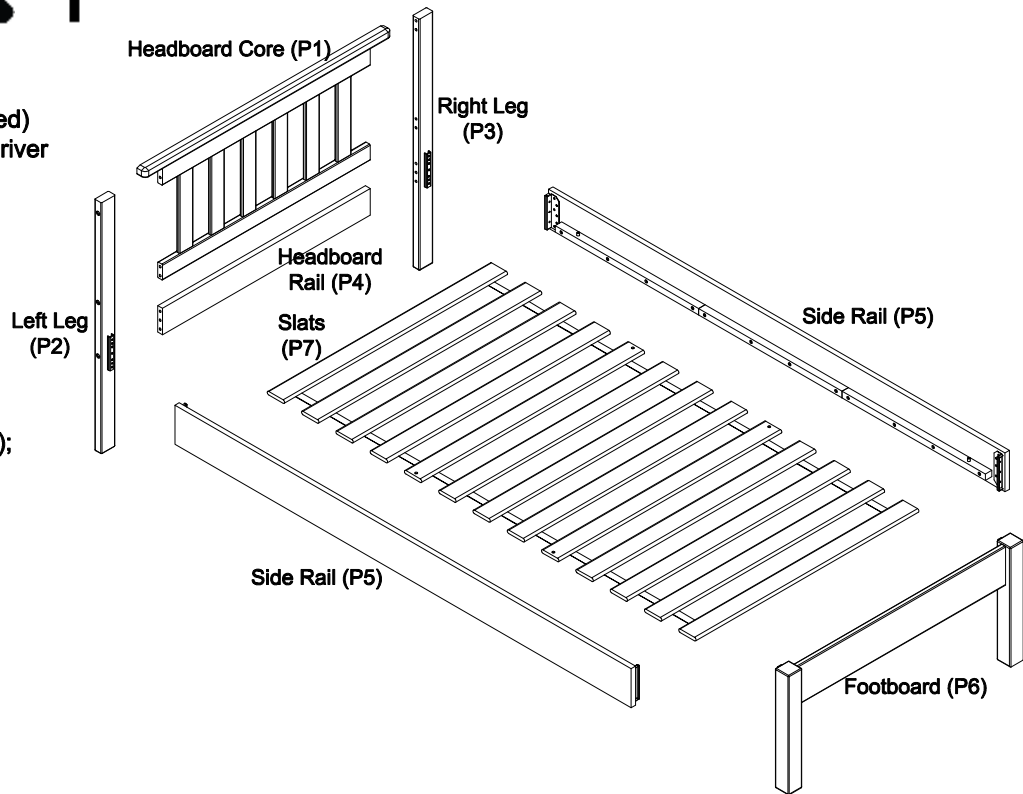
Headboard Core (P1);
Footboard (P6);

Box 2:

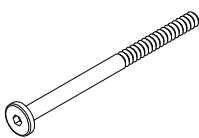
Headboard Rail(P4);
2 x Side Rail (P5)

Box 3:

Left Leg(P2);
Right Leg(P3);
Slats(P7)



4 x Wood
Screws
(H1)



6 x Large Bolts
(H2)



6x Nuts
(H3)



8 x Wooden
Dowels
(H4)



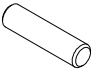

1 x Allen
Key
(H5)

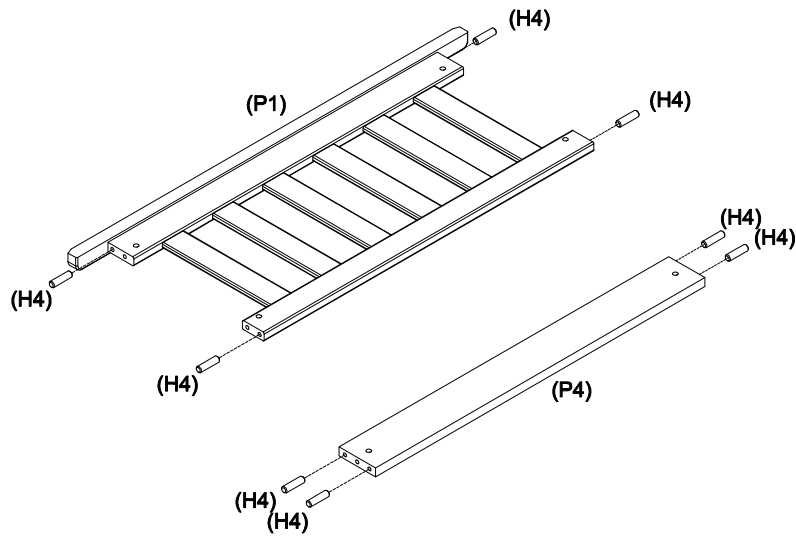


8 x Small Bolts
(H6)

Please make sure you have all these parts before you start.



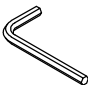
Step 1

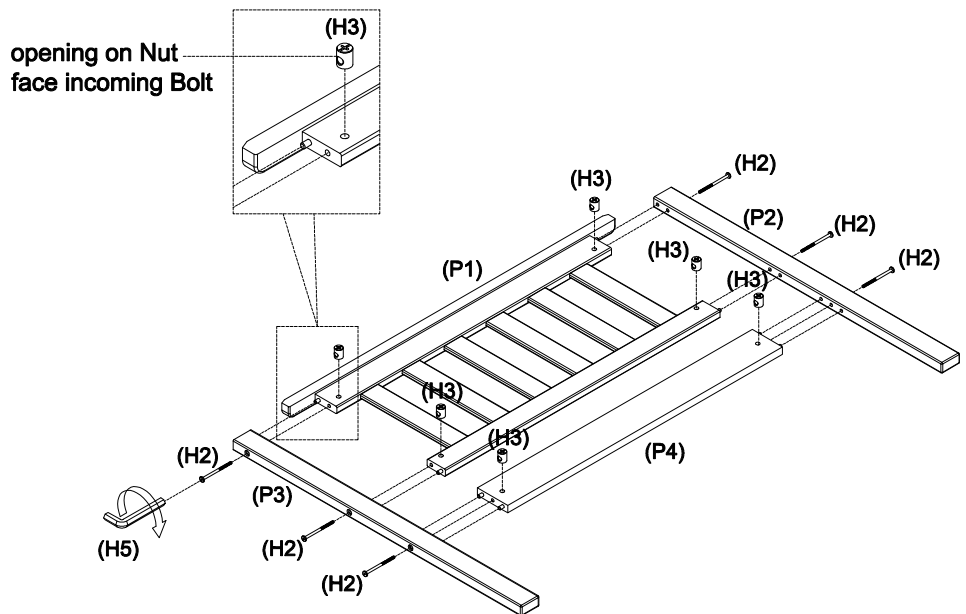
You will need:	
8 x Wooden Dowels (H4)	
Soft Head Mallet	



Insert 8 x wooden dowels (H4) into the headboard core (P1) and headboard rail (P4) as shown, using a soft head mallet.

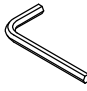

Step 2

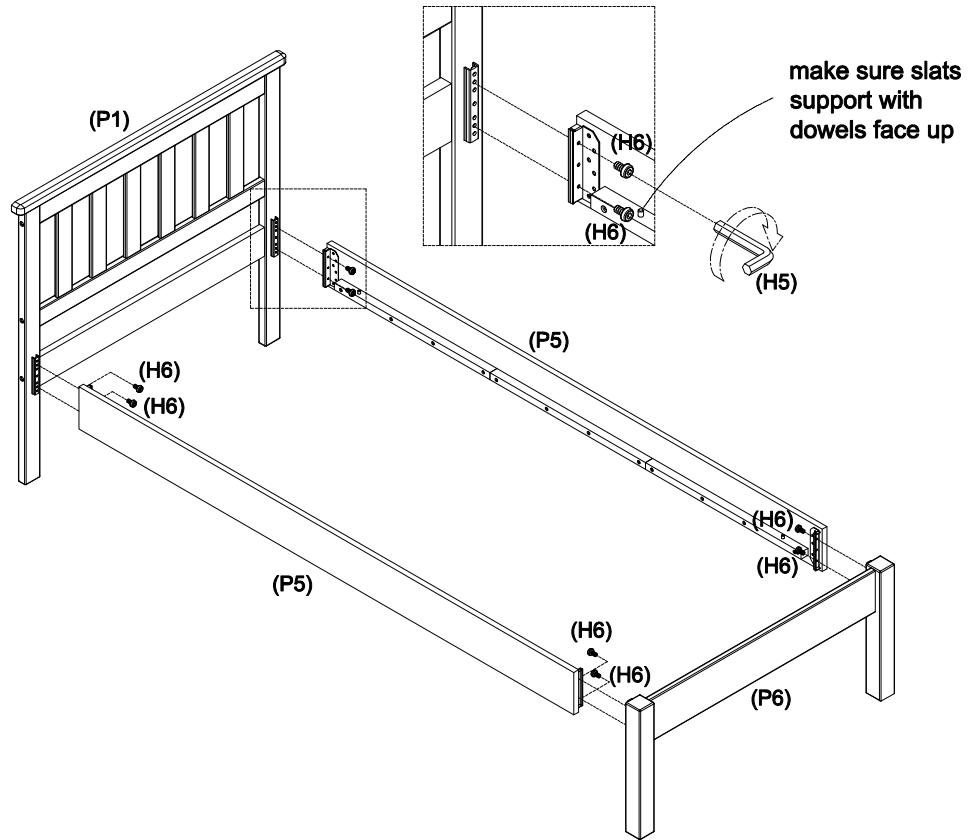
You will need:	
6 x Large Bolts (H2)	
6 x Nuts (H3)	
1 x Allen Key (H5)	



Attach 2 x legs (P2 & P3) to the headboard core (P1) and headboard rail (P4). Insert 6 x nuts (H3) into the headboard rail (P4) and headboard core (P1) as shown. Make sure the opening on the nuts (H3) is facing the incoming bolts, then insert 6 x large bolts (H2), use the allen key (H5) and turn clockwise to fix.



Step 3

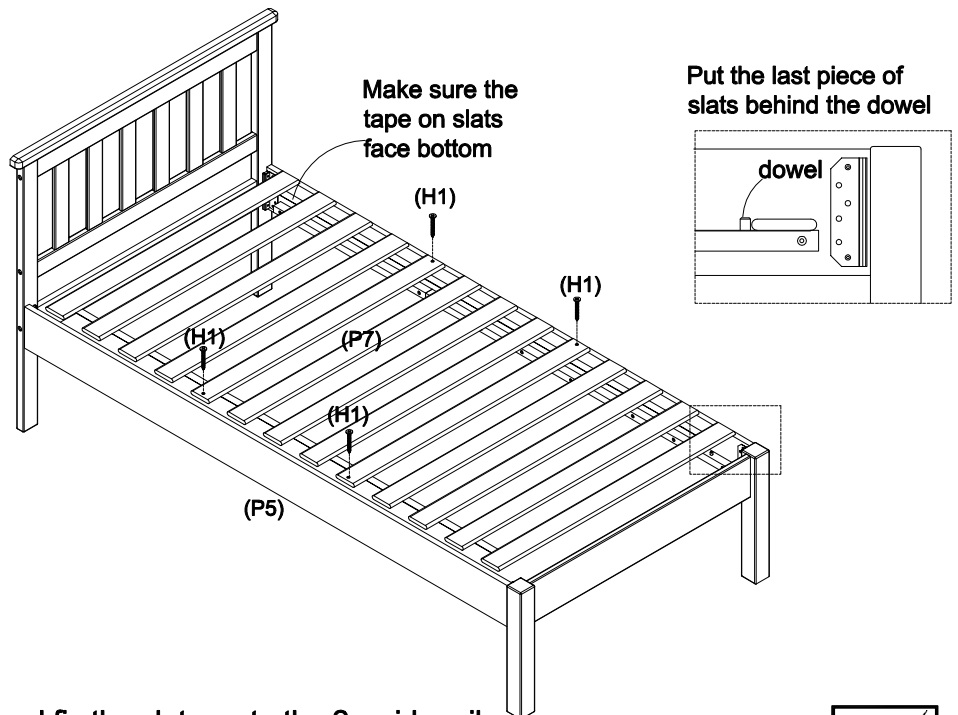
You will need:	
1 x Allen Key (H5)	
8 x Small Bolts (H6)	



Connect the 2 x side rails (P5) to the headboard (P1) and footboard (P6), using an allen key (H5), turn 8 x small bolts (H6) clockwise to fix.

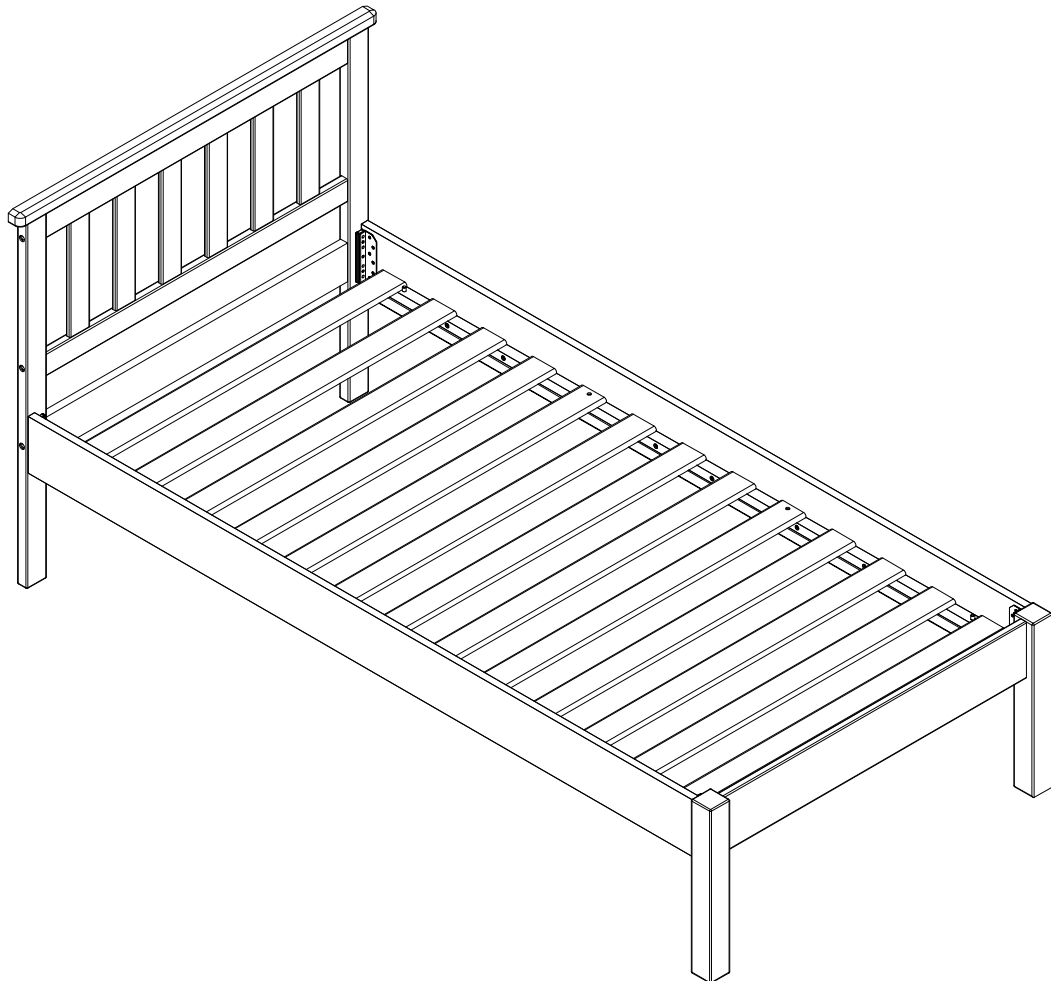
Step 4

You will need:	
4 x Wood Screws (H1)	
Phillips head screwdriver	



Put the slats (P7) on the bed, and fix the slats on to the 2 x side rails (P5) by using 4 x wood screws (H1) and a phillips head screwdriver.

www.fantasticfurniture.com.au



Job Complete!

In the interest of our environment
please dispose of all packing thoughtfully.