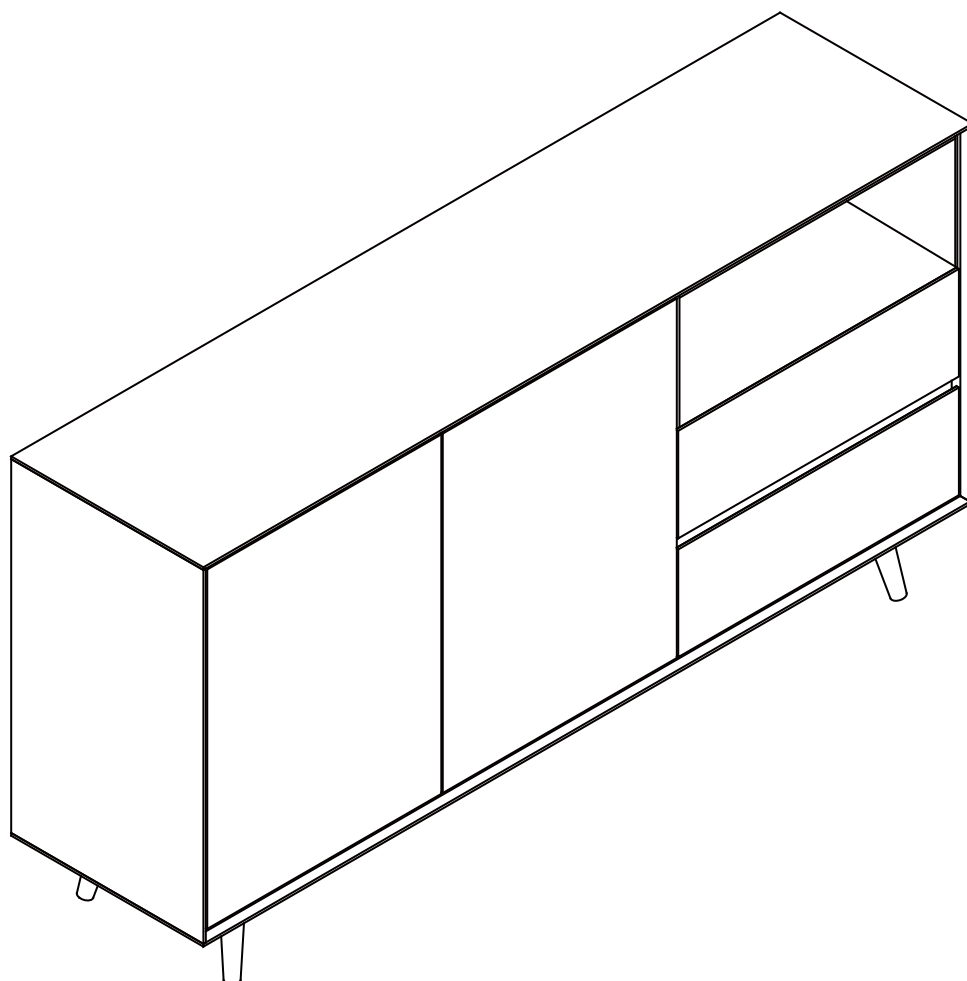


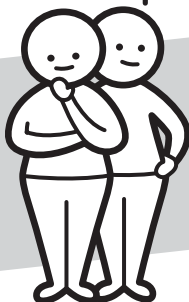


**Fantastic
Furniture**

Version 1.0



Two People



Required

STOCKHOLM

BUFFET 2 DOOR

fantasticfurniture.com.au

Recommended weight capacity : 60kgs.



**WARNING: ENSURE THE WALL STRAP IS ATTACHED TO
AVOID SERIOUS INJURY.**

To avoid any serious or fatal injury, this product has been supplied with a wall strap to prevent toppling. We strongly recommend that this product is permanently fixed to the wall or other suitable surface. Connecting attachments for your wall are not included since different surface materials require different attachments. Please seek professional advice if you are in doubt of what wall connections to use.

Looks like you've found your Fantastic!

We're thrilled you've chosen Fantastic Furniture
to help create a home you'll love



Fantastic Furniture

Love it? Share it!

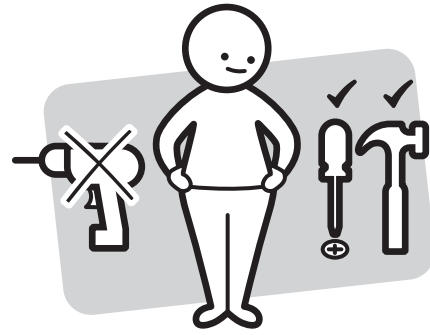
Fantastic buy! Share how it looks at home for your
chance to win a \$250 Fantastic Furniture Gift Card!

fantasticfurniture

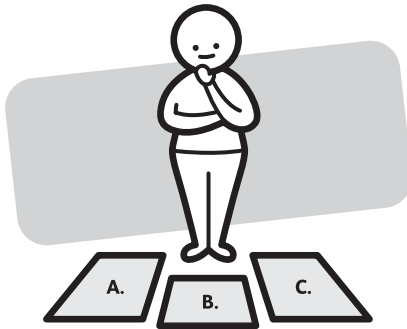
Assembly Checklist



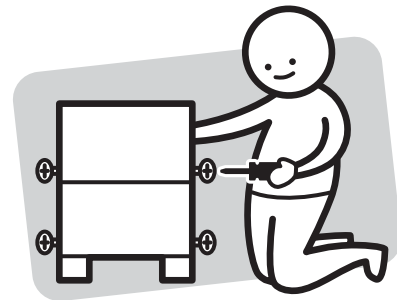
Read through the instructions carefully before you begin.



Make sure you have all the required tools. Never use power tools unless instructed.



Identify and lay out all of the components before you begin assembly.



Unless instructed, do not fully tighten screws until the item is fully assembled.

Useful Information

- ! Never use power tools unless specifically instructed. They can damage your components or hardware if used incorrectly.
- ! The most common mistakes made during assembly are using the wrong hardware or getting components back to front.
- ! Always use a soft surface (such as carpet or cardboard) when assembling your product to avoid scratching or damaging the surface of the product.
- ! Bulky items such as wardrobes and bunk beds should be assembled in the room they will be used in as they may not fit through a door once assembled.
- ! Never use any glue until you are certain that the parts belong together.
- ! Periodically check and re-tighten all fasteners. Check the product care label or website for product care instructions.
- ! If you are having any difficulties assembling your product, missing any hardware or components please visit our website Help Centre for further assistance.
- ! Please see page 2 for any safety requirements or weight restrictions.

What you need

to assemble the product



DO NOT USE

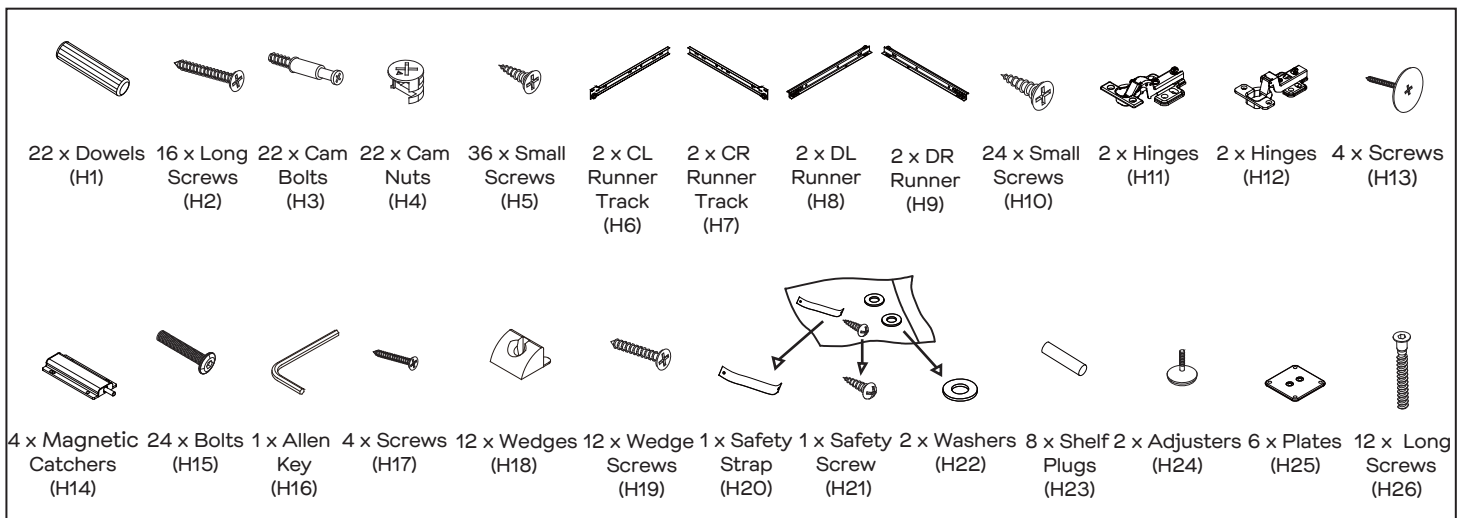
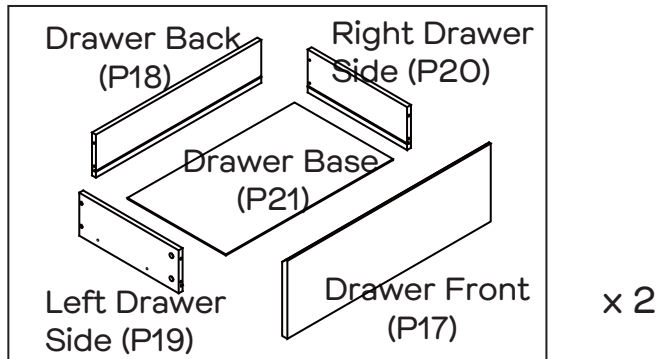
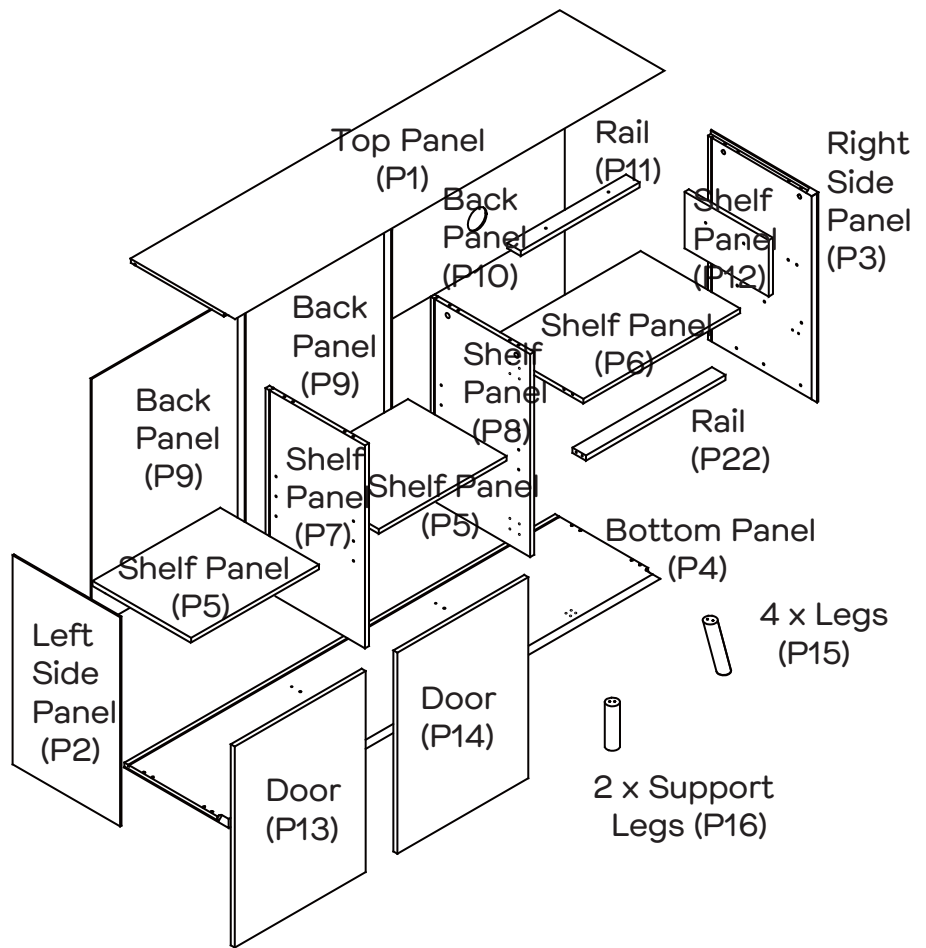


Other tools you need:
Phillips head screwdriver;

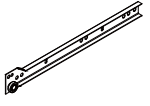
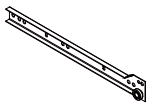


Parts list

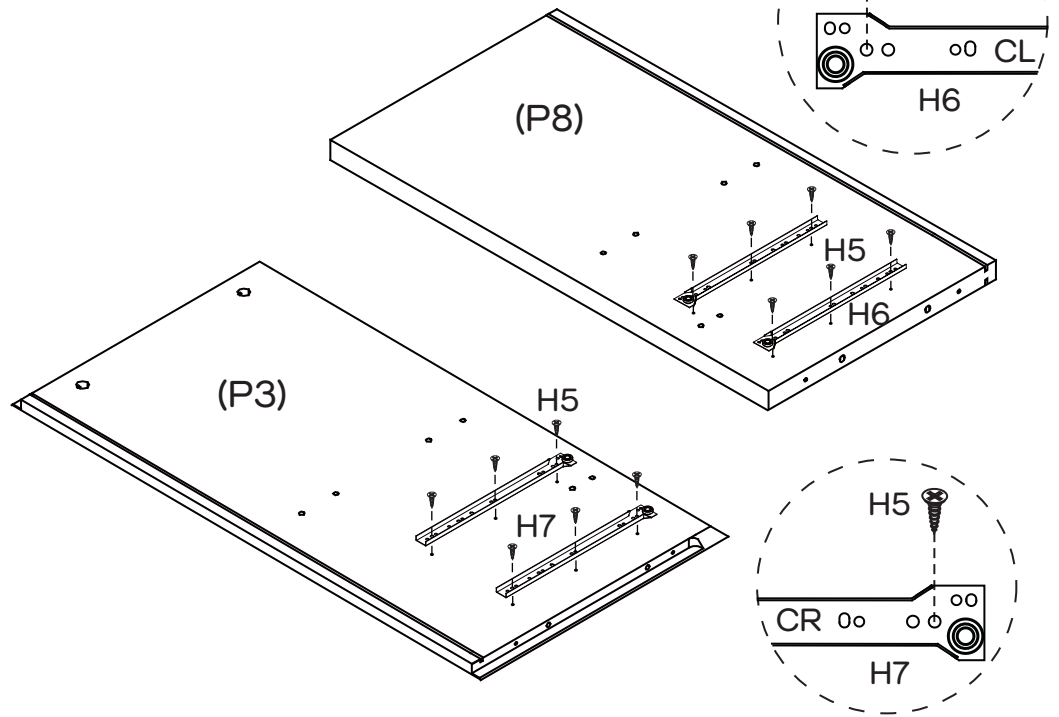
Top Panel (P1);
Left Side Panel (P2);
Right Side Panel (P3);
Bottom Panel (P4);
2 x Shelf Panels (P5);
Shelf Panel (P6);
Shelf Panel (P7);
Shelf Panel (P8);
2 x Back Panels (P9);
Back Panel (P10);
Rail (P11); Shelf Panel (P12);
Door (P13); Door (P14);
4 x Legs (P15);
2 x Support Legs (P16);
2 x Drawer Fronts (P17);
2 x Drawer Backs (P18);
2 x Left Drawer Sides (P19);
2 x Right Drawer Sides (P20);
2 x Drawer Bases (P21);
Rail (P22)

Hardware pack



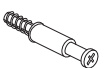

Step 1

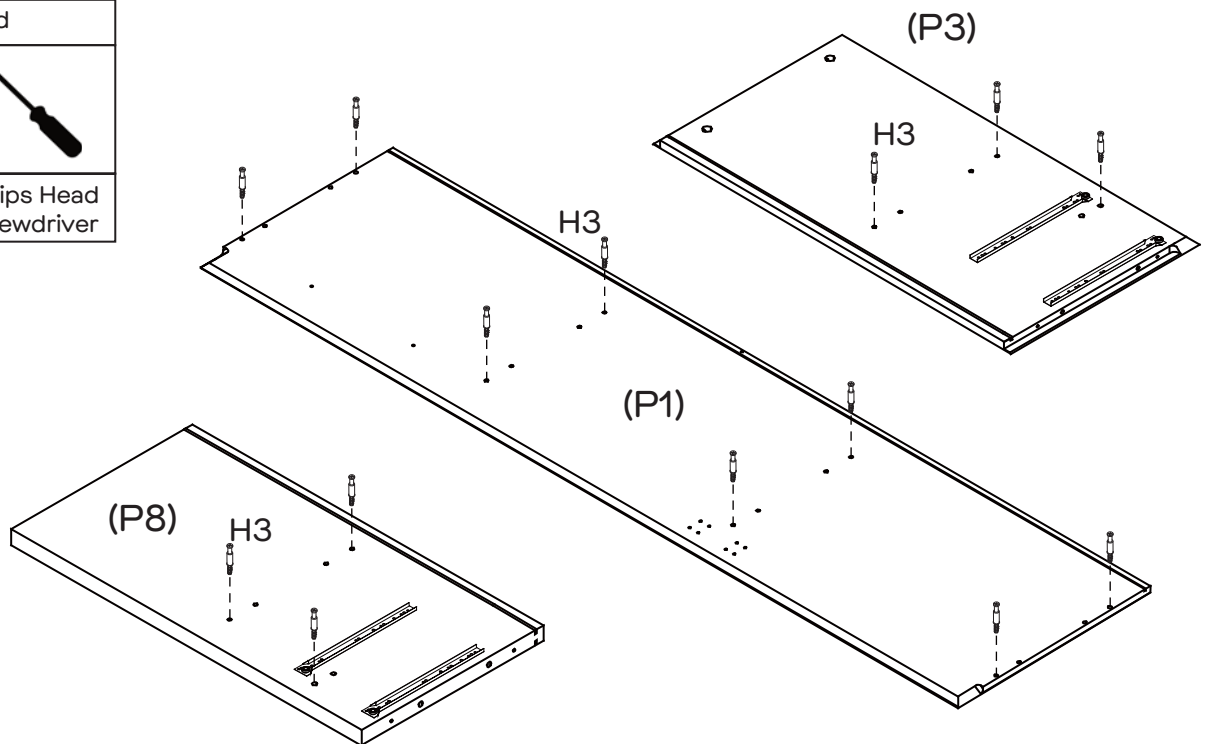
You will need	
	
2 x CL Runner Tracks (H6)	2 x CR Runner Tracks (H7)
	
12 x Small Screws (H5)	Phillips Head Screwdriver



Attach 2 x CL Runner Tracks (H6) to Shelf Panel (P8) with 6 x Small Screws (H5).
 Attach 2 x CR Runner Tracks (H7) to Right Side Panel (P3) with 6 x Small Screws (H5).
 Tighten with a Phillips Head Screwdriver.


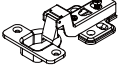



Step 2

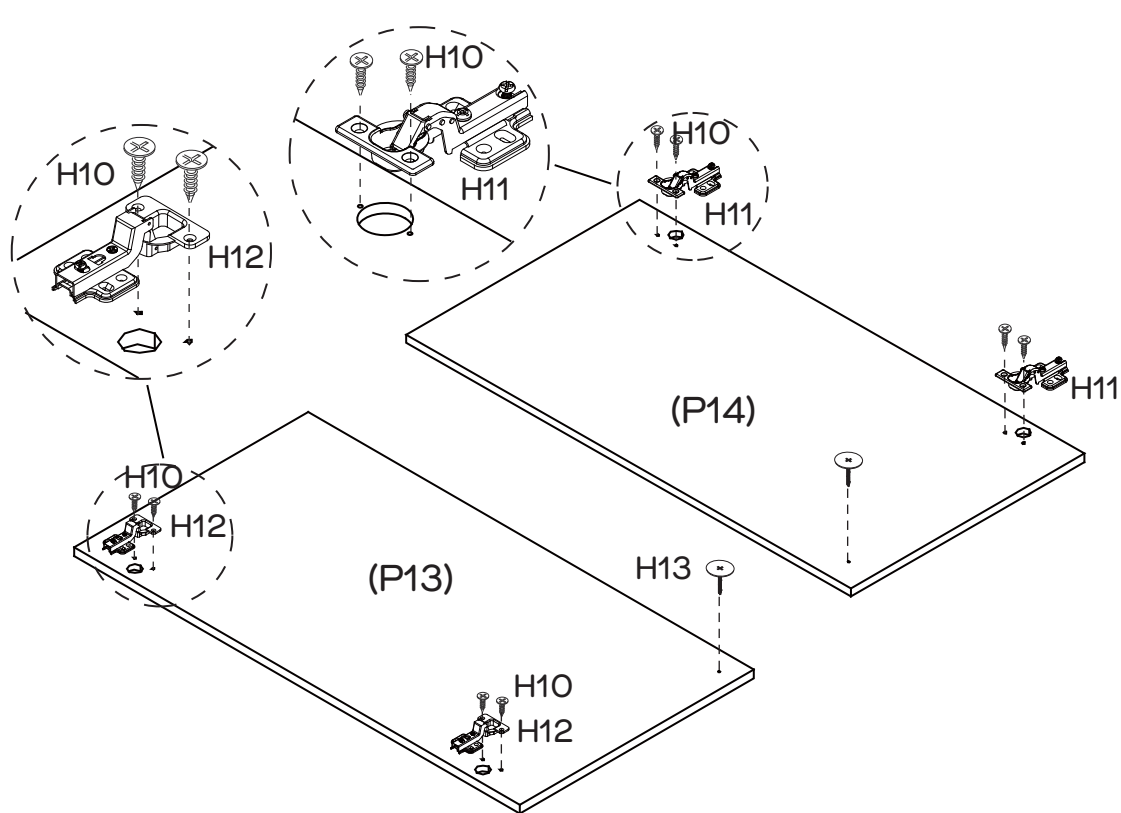
You will need	
	
14 x Cam Bolts (H3)	Phillips Head Screwdriver



Attach 14 x Cam Bolts (H3) to Top Panel (P1), Right Side Panel (P3) and Shelf Panel (P8). Tighten with a Phillips Head Screwdriver.



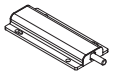
Step 3

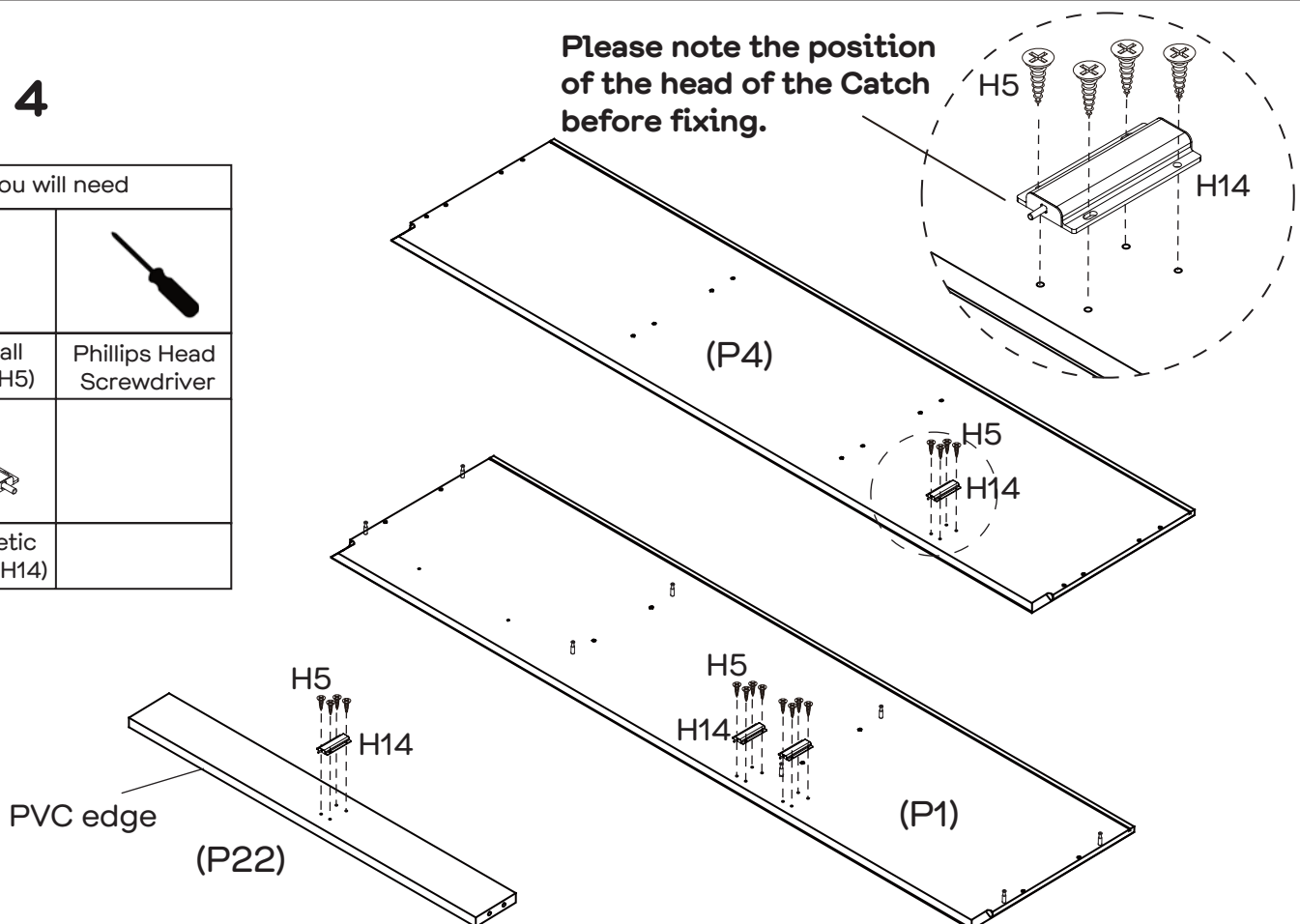
You will need	
	
2 x Hinges (H11)	2 x Hinges (H12)
	
8 x Small Screws (H10)	Phillips Head Screwdriver
	
2 x Screws (H13)	



Attach 2 x Hinges (H12) and 1 x Screws (H13) to Door (P13), attach 2 x Hinges (H11) and 1 x Screws (H13) to Door (P14), securing with 8 x Small Screws (H10). Tighten with a Phillips Head Screwdriver. Make sure the Hinges (H11) are assembled on Door (P14), the Hinges (H12) are assembled on door (P13).

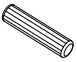


Step 4

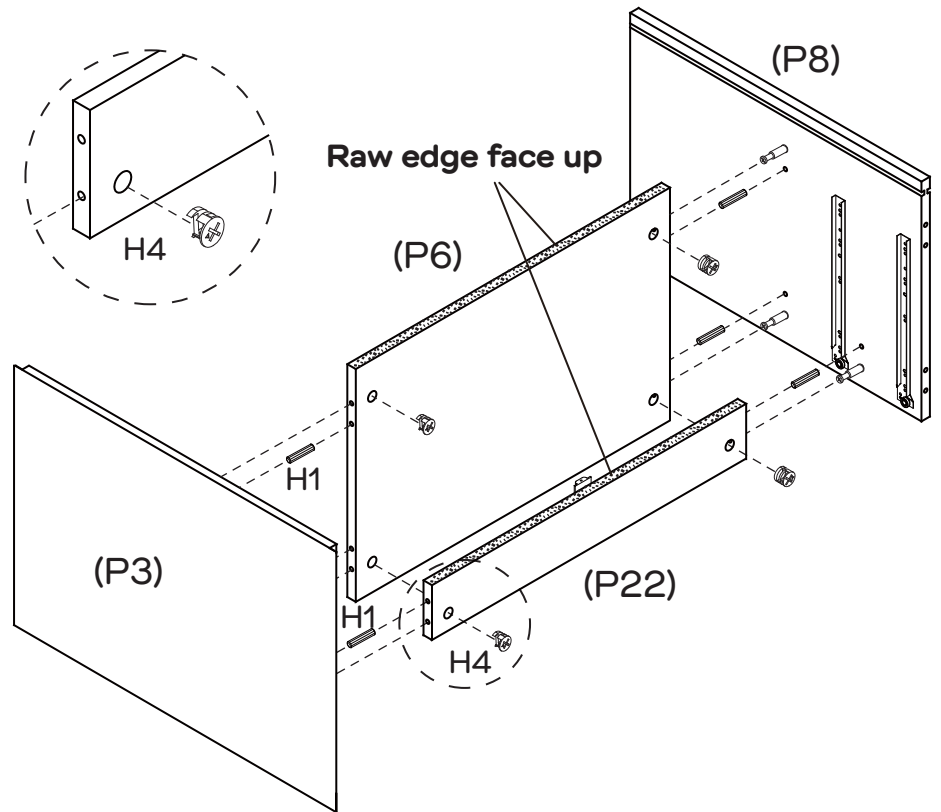
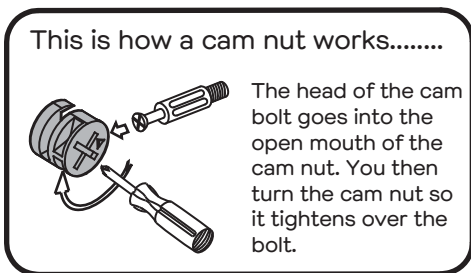
You will need	
	
16 x Small Screws (H5)	Phillips Head Screwdriver
	
4 x Magnetic Catchers (H14)	



Attach 4 x Magnetic Catchers (H14) to Top Panel (P1), Bottom Panel (P4) and Rail (P22) secure with 16 x Small Screws (H5). Tighten with a Phillips head screwdriver.



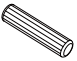
Step 5

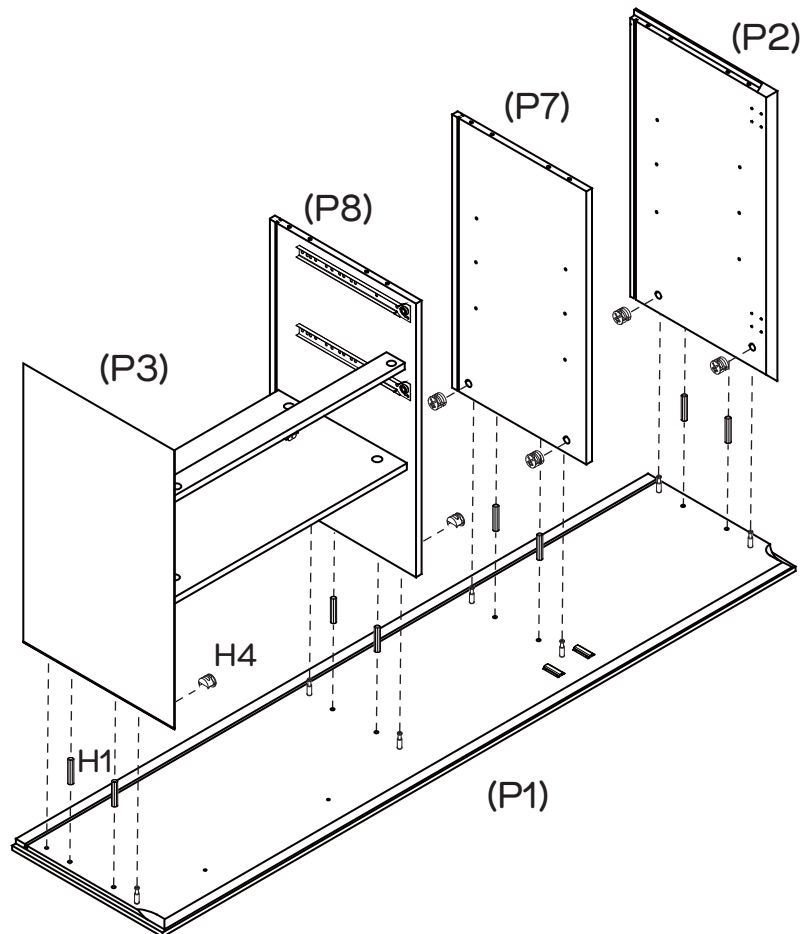
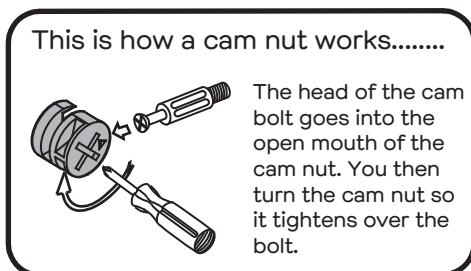
You will need	
	
6 x Dowels (H1)	6 x Cam Nuts (H4)
	
Phillips Head Screwdriver	



Attach Right Side Panel (P3) and Shelf Panel (P8) to Shelf Panel (P6) and Rail (P22) with 6 x Dowels (H1) and secure with 6 x Cam Nuts (H4). Tighten with a Phillips Head Screwdriver.

Step 6

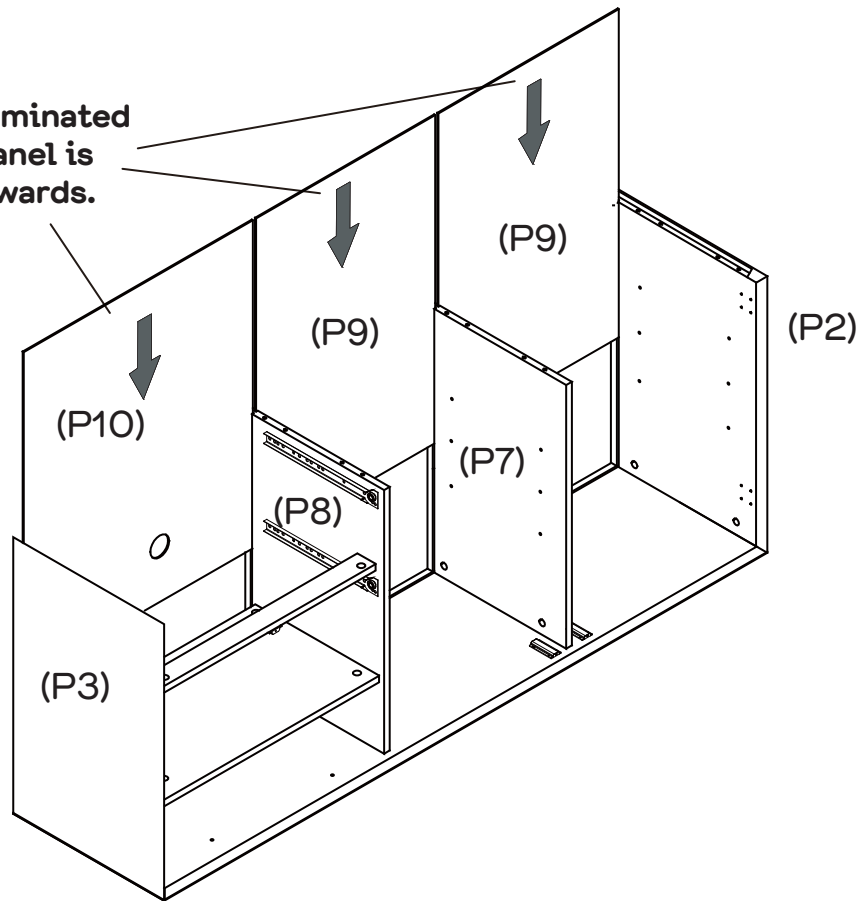
You will need	
	
8 x Cam Nuts (H4)	Phillips Head Screwdriver
	
8 x Dowels (H1)	



Attach Top Panel (P1) to Left Side Panel (P2), Right Side Panel (P3), Shelf Panel (P7) and Shelf Panel (P8) with 8 x Dowels (H1) and secure with 8 x Cam Nuts (H4). Tighten with a Phillips Head Screwdriver.

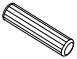

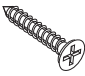
Step 7

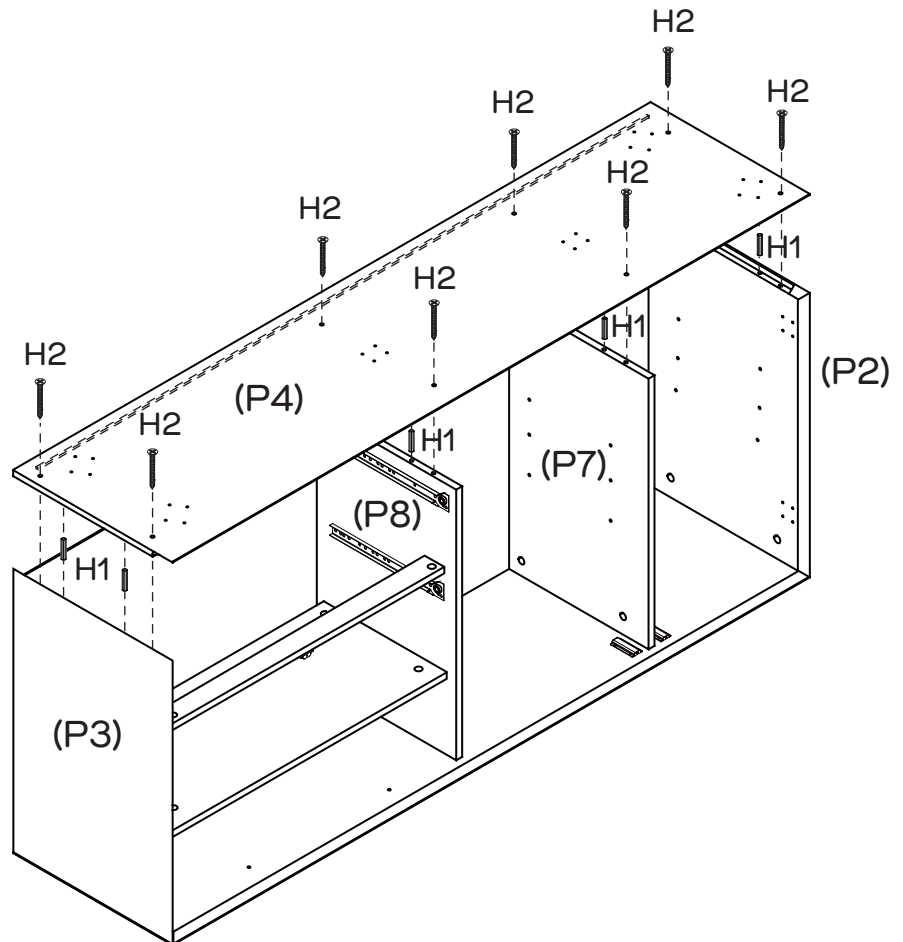
Ensure laminated side of panel is facing inwards.



Slide remaining Back Panels (P9,P10) into the grooves of Left Side Panel (P2), Shelf Panel (P7), Shelf Panel (P8) and Right Side Panel (P3).







Step 8

You will need	
	
8 x Dowels (H1)	Phillips Head Screwdriver
	
8 x Long Screws (H2)	

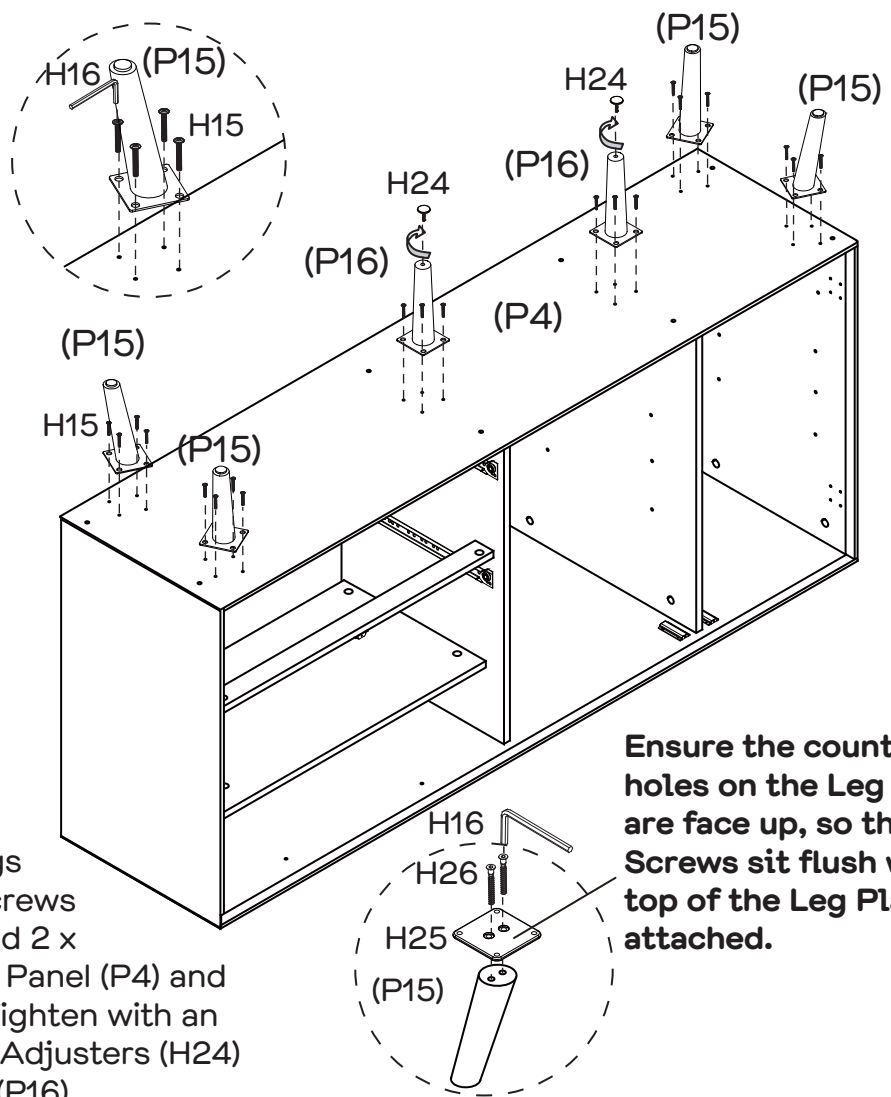


Attach Bottom Panel (P4) to Left Side Panel (P2), Right Side Panel (P3), Shelf Panel (P7) and Shelf Panel (P8) with 8 x Dowels (H1) and secure with 8 x Long Screws (H2). Tighten with a Phillips Head Screwdriver.

Step 9



You will need	
	
24 x Bolts (H15)	1 x Allen Key (H16)
	
2 x Adjusters (H24)	6 x Plates (H25)
	
12 x Long Screws (H26)	Phillips Head Screwdriver

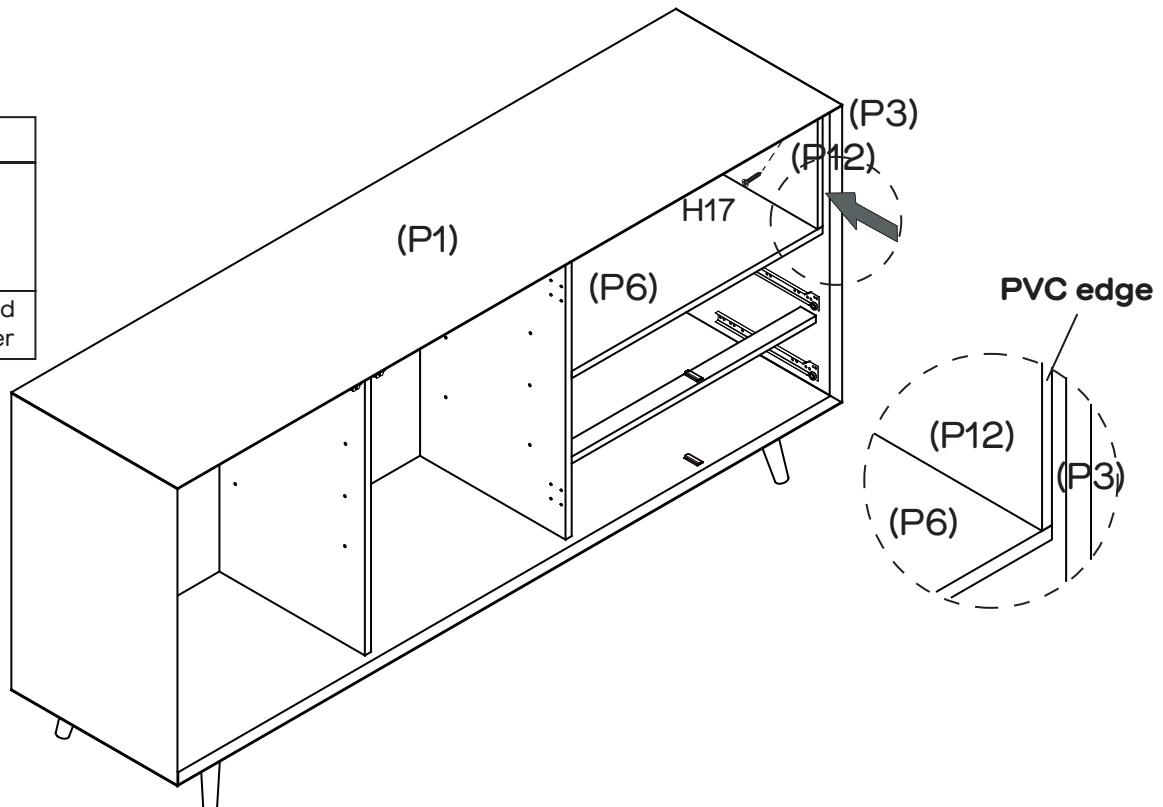
Attach 6 x Plates (H25) to 4 x Legs (P15) and 2 x Support legs (P16) secure with 12 x Long Screws (H26), attach 4 x Legs (P15) and 2 x Support Legs (P16) to Bottom Panel (P4) and secure with 24 x Bolts (H15). Tighten with an Allen Key (H16). Insert the 2 x Adjusters (H24) into the middle Support Legs (P16).



Ensure the countersunk holes on the Leg Plate are face up, so that the Screws sit flush with the top of the Leg Plate once attached.



Step 10

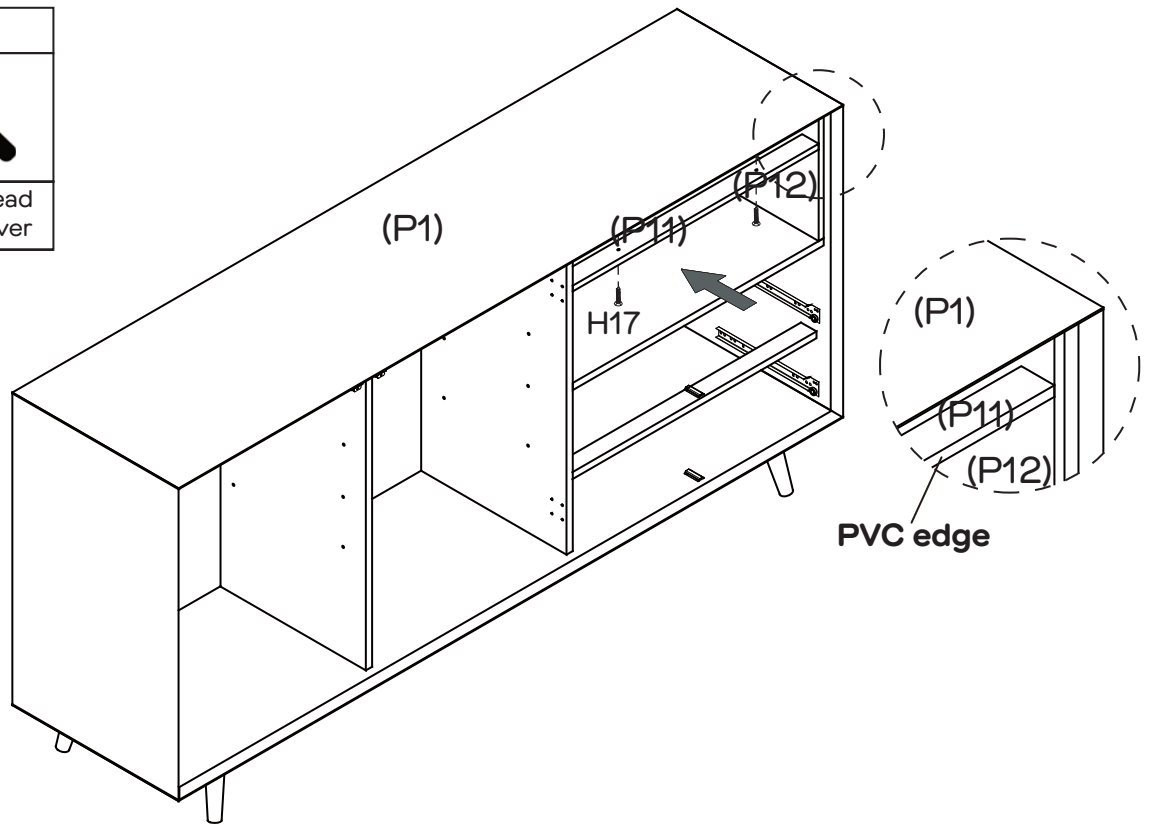
You will need	
	
2 x Screws (H17)	Phillips Head Screwdriver



Press Shelf Panel (P12) against Right Side Panel (P3), then slide Shelf Panel (P12) between Shelf Panel (P6) and Top Panel (P1) to form the unit as shown. Attach Shelf Panel (P12) to Right Side Panel (P3) with 2 x Screws (H17). Tighten with a Phillips Head Screwdriver.


Step 11

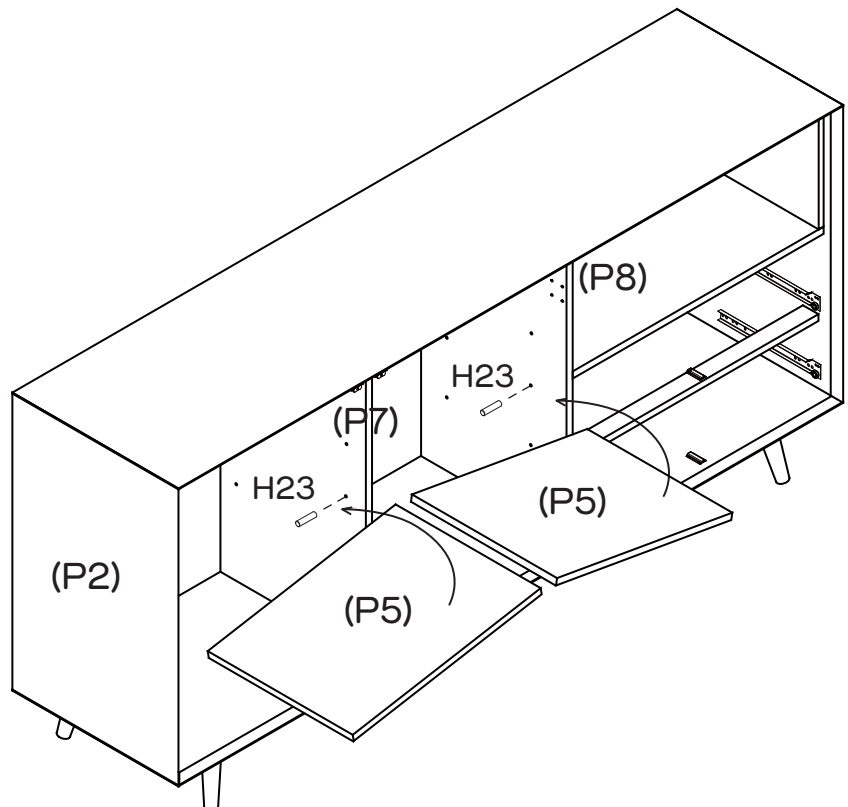
You will need	
	
2 x Screws (H17)	Phillips Head Screwdriver



Press Rail (P11) against Top Panel (P1), then slide Rail (P11) between Shelf Panel (P12) and Top Panel (P1) to form the unit as shown. Attach Rail (P11) to Top Panel (P1) with 2 x Screws (H17). Tighten with a Phillips Head Screwdriver.



Step 12

You will need	
	
8 x Shelf Plug (H23)	

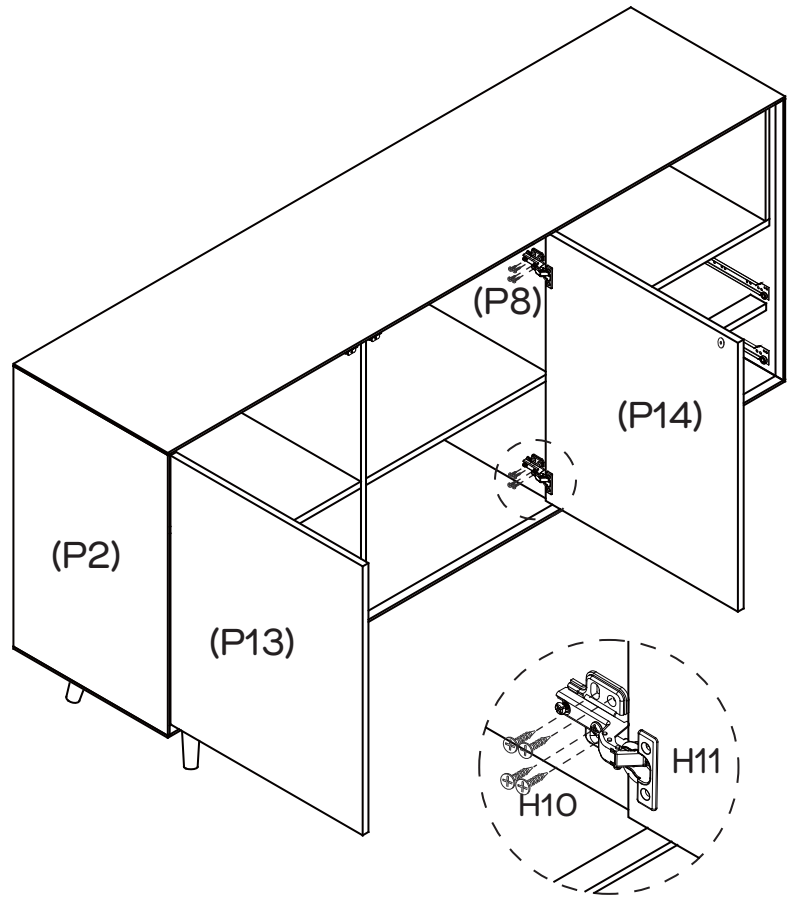
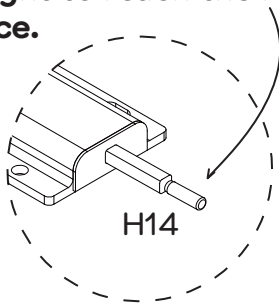


Insert 8 x Shelf Plugs (H23) into the end cavities of the cabinet as shown. Insert the 2 x Shelf Panels (P5) and balance on top of the plugs.

Step 13




You will need	
	
16 x Small Screws (H10)	Phillips Head Screwdriver

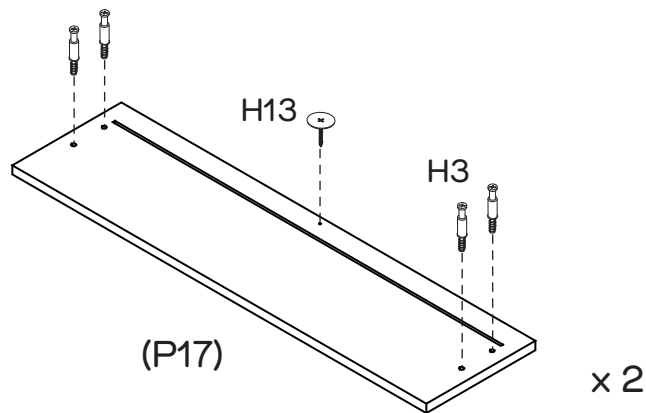
To open the door, firmly press the middle or top left of the door front to trigger the Catch to bounce the door open. If the door does not pop open when pressed or is not sitting flush with the front of the unit, reach bottom of top panel and adjust the head of the Catch by gently turning left or right to reach the right resistance.



Secure Door Panels (P13, P14) to the main unit by attaching the other end of the 2 x Hinges (H11, H12) with 16 x Small Screws (H10) as shown. Tighten with a Phillips Head Screwdriver.



Step 14

You will need	
	
8 x Cam Bolts (H3)	Phillips Head Screwdriver
	
2 x Screws (H13)	

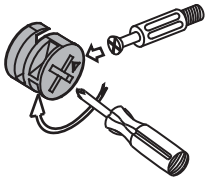


Attach 4 x Cam Bolts (H3) and 1 x Screw (H13) to Drawer Front (P17) as shown. Tighten with a Phillips Head Screwdriver.

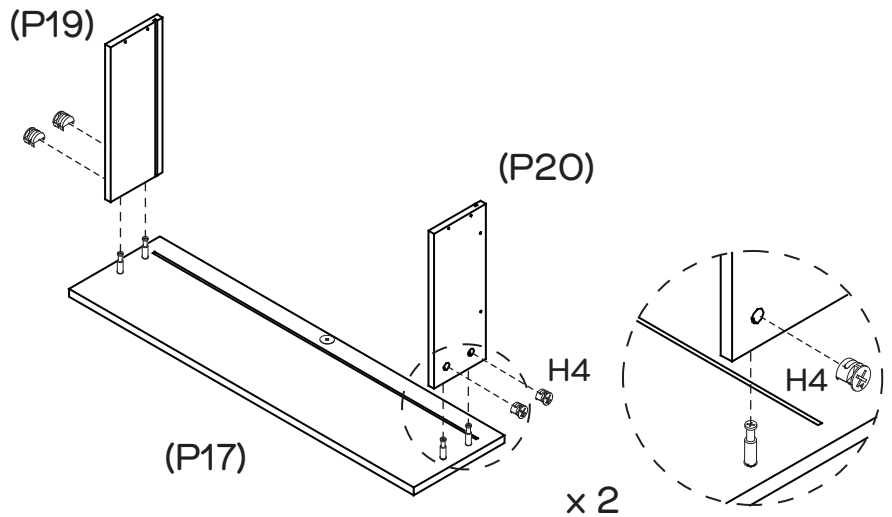
Step 15

You will need	
	
8 x Cam Nuts (H4)	Phillips Head Screwdriver

This is how a cam nut works.....

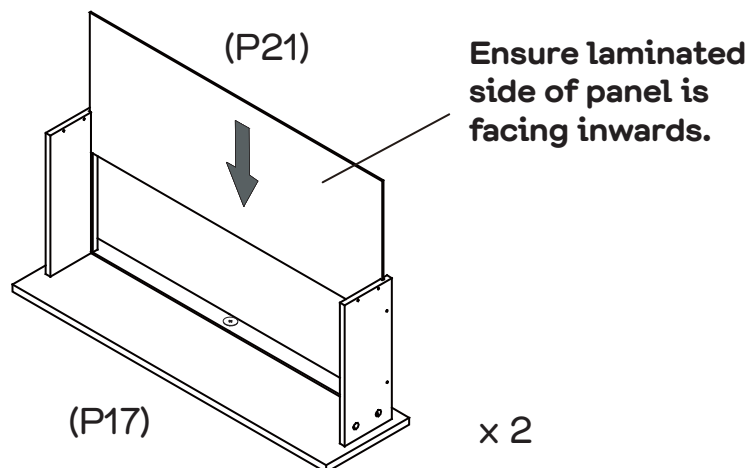


The head of the cam bolt goes into the open mouth of the cam nut. You then turn the cam nut so it tightens over the bolt.





Attach Drawer Sides (P19, P20) to Drawer Fronts (P17). Insert 4 x Cam Nuts (H4) into the holes of Drawer Sides (P19, P20). Make sure the opening on cam nuts point towards the incoming cam bolts. Tighten with a Phillips head screwdriver.

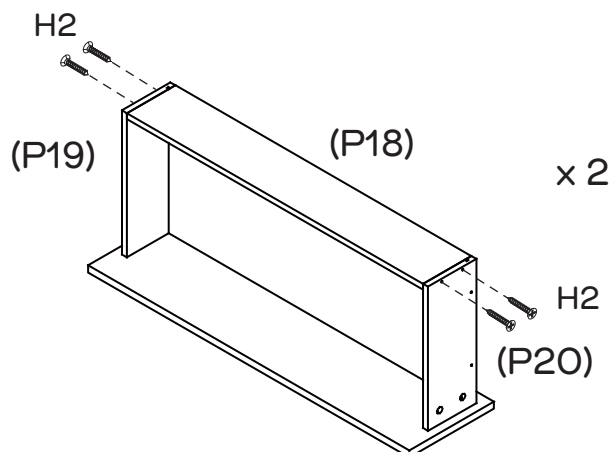
Step 16



Slide the Drawer Base (P21) into the grooves between drawer sides as shown.

Step 17

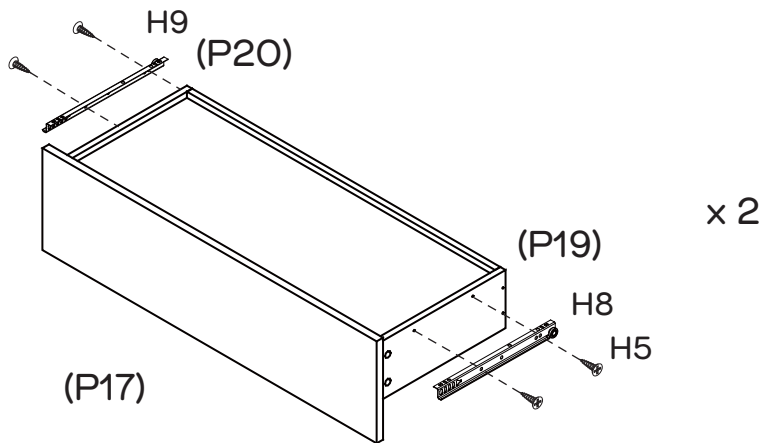
You will need	
	
8 x Long Screws (H2)	Phillips Head Screwdriver



Attach Drawer Back (P18) to Drawer Sides (P19, P20) with 4 x Long Screws (H2), make sure that the groove lines up the whole way around the drawer. Tighten with a Phillips Head Screwdriver.

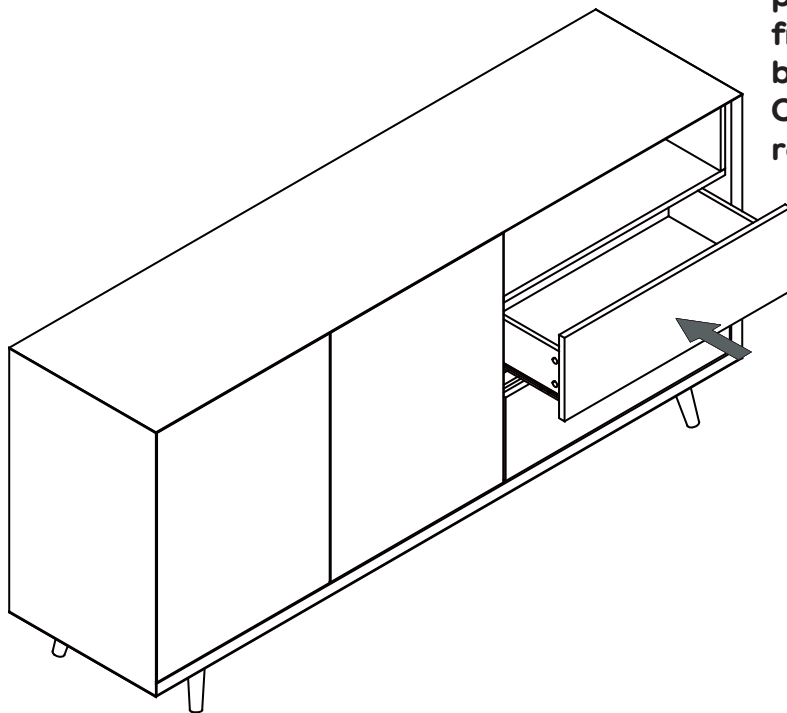
Step 18

You will need	
2 x DL Runners (H8)	2 x DR Runners (H9)
8 x Small Screws (H5)	Phillips Head Screwdriver

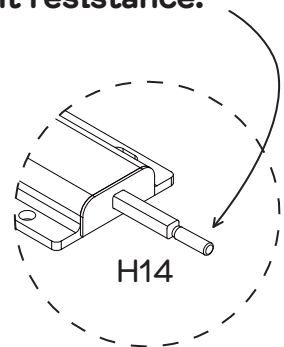


Attach 1 x DL Runner (H8) to Left Drawer Side (P19) and 1 x DR Runner (H9) to Right Drawer Side (P20) with 4 x Small Screws (H5) using a Phillips Head Screwdriver.

Step 19

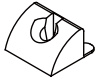
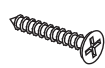
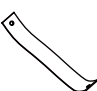
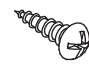




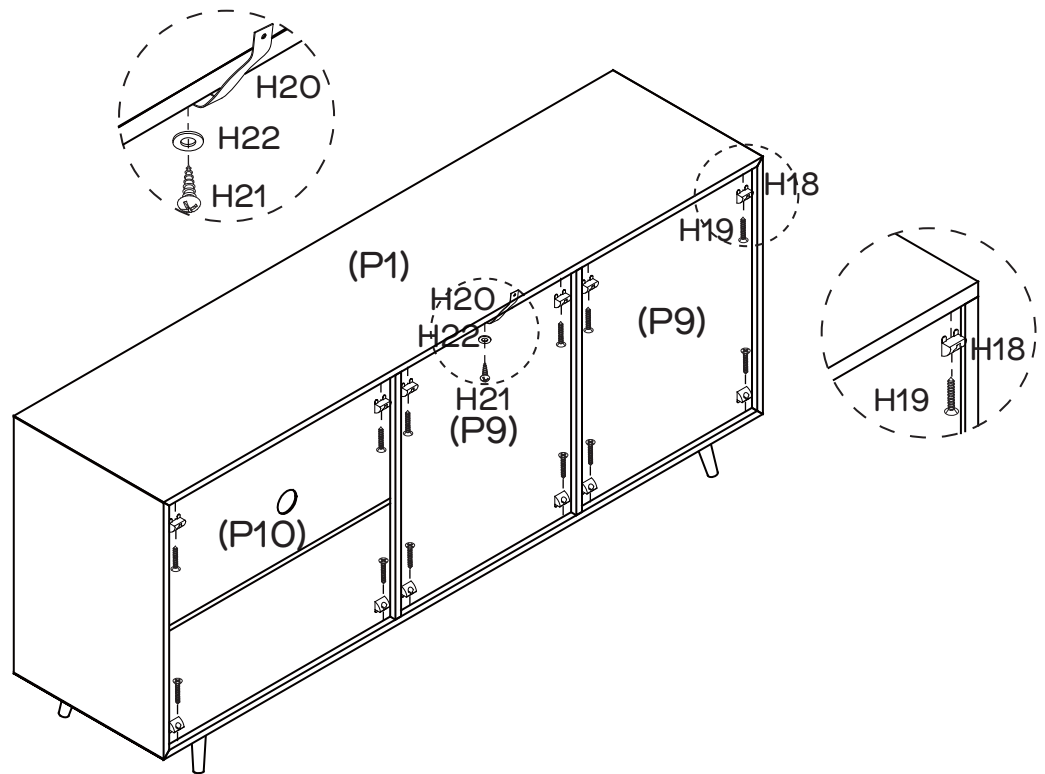
To open the drawer, firmly press the middle of the drawer front to trigger the Catch to bounce the drawer open. If the drawer does not pop open when pressed or is not sitting flush with the front of the unit, reach to the Rail & bottom panel and adjust the head of the Catch by gently turning left or right to reach the right resistance.



Insert the assembled drawers into the corresponding compartments as shown. Ensure the drawers slide easily along the rails.



Step 20

You will need	
	
12 x Wedges (H18)	12 x Wedge Screws (H19)
	
1 x Safety Strap (H20)	1 x Safety Screw (H21)
	
1 x Washer (H22)	Phillips Head Screwdriver



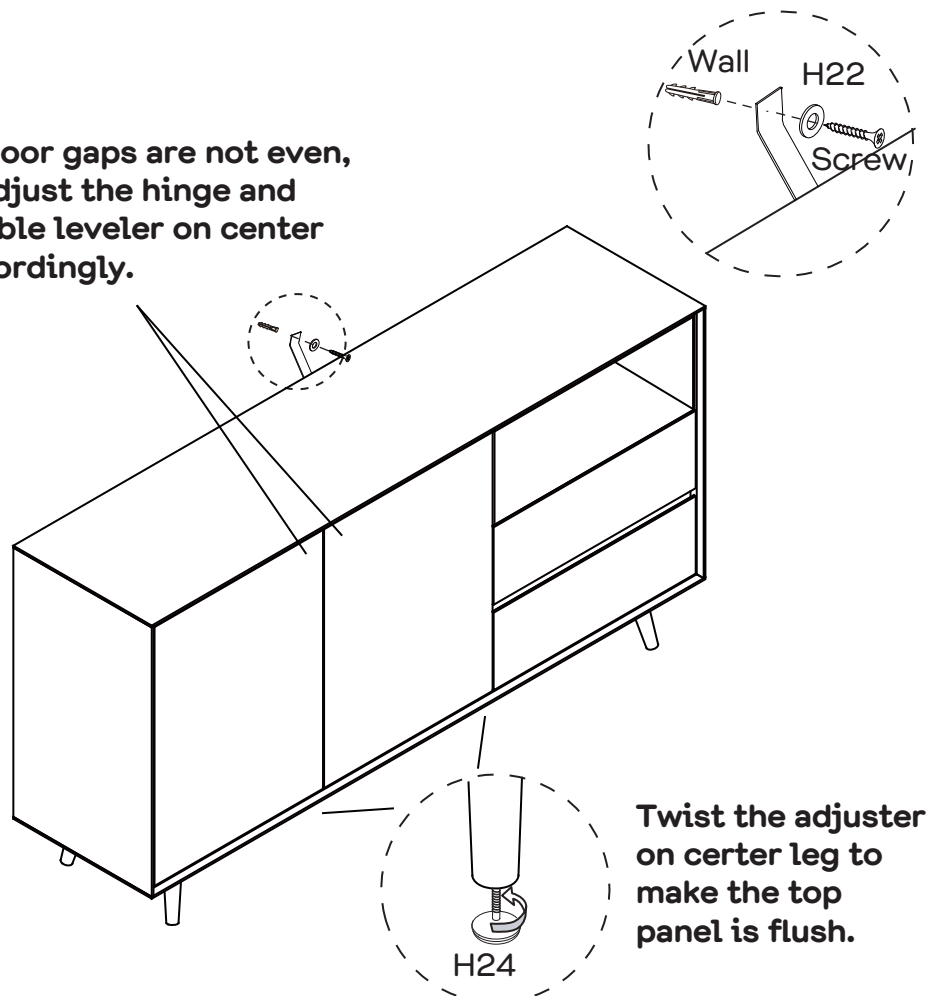
Use 1 x Safety Screw (H21) and 1 x Washer (H22) to connect 1 x Safety Strap (H20) on Top Panel (P1). Secure Back Panels (P9,P10) in place with 12 x Wedges (H18) using 12 x Wedge Screws (H19). Tighten with a Phillips Head Screwdriver.

Step 21

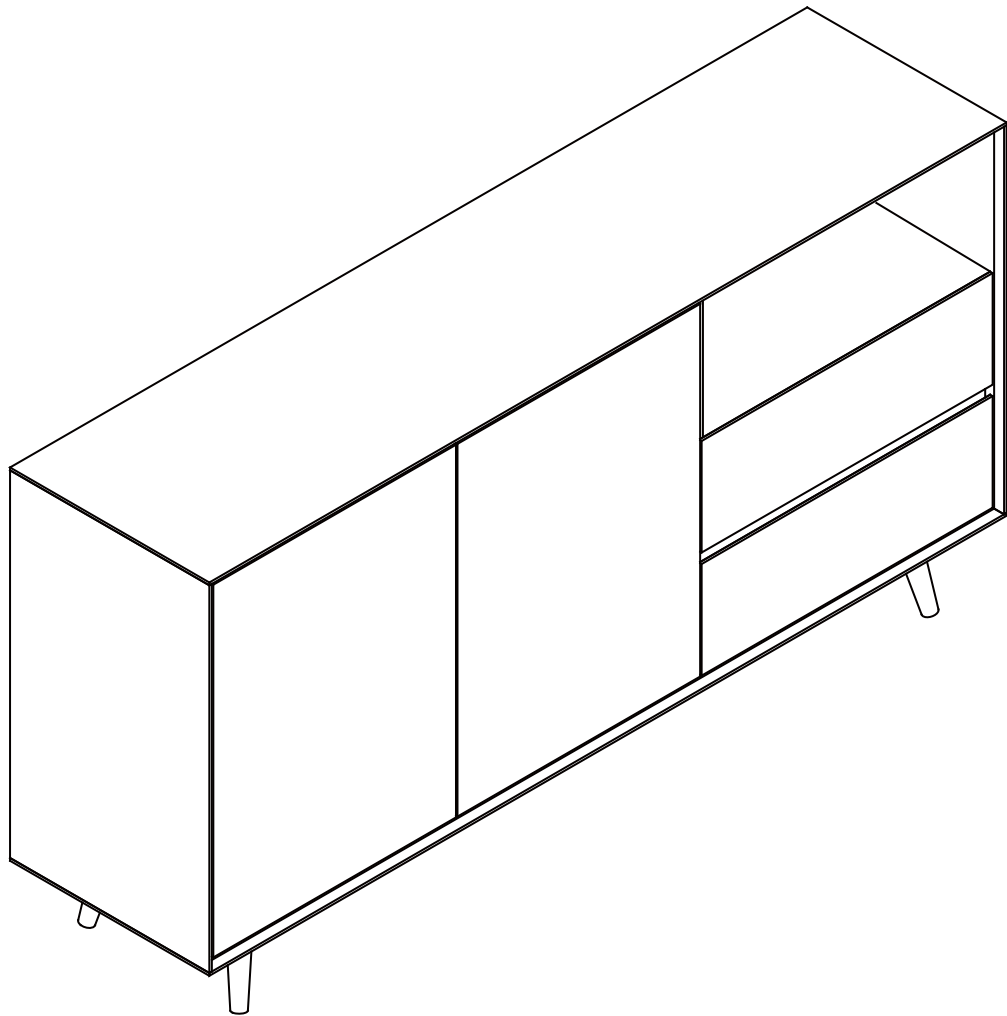
You will need	
	
1 x Washer (H22)	Phillips Head Screwdriver
Screw and Wall Plug are not provided. Please use appropriate fixtures for your wall.	

If the door gaps are not even, please adjust the hinge and adjustable leveler on center leg accordingly.

Seek advice from a qualified trades person on how to attach this safety strap to your specific wall.



Move the buffet unit to the final position, and attach the safety strap to the wall securely. Make sure it is firmly attached and snug fit.



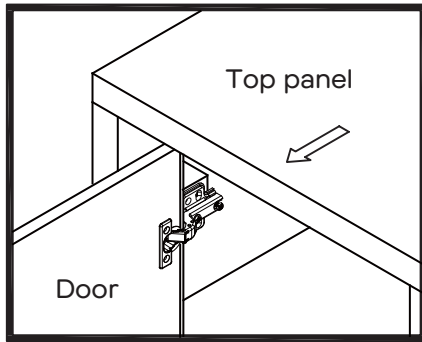
Job Complete!

In the interest of our environment please dispose of all packaging thoughtfully.

TO ADJUST YOUR DOORS TO MAKE THE GAPS MORE EVEN

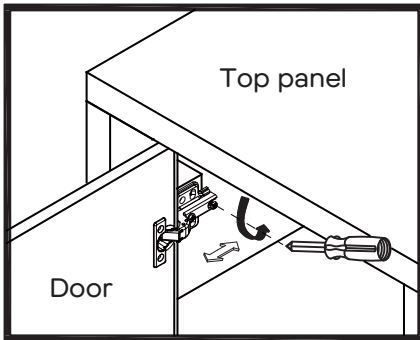
STEP 1

Open the door.



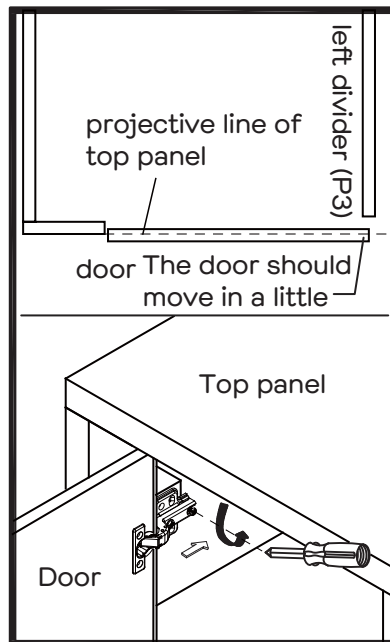
STEP 1

Adjust the door move in or out a little



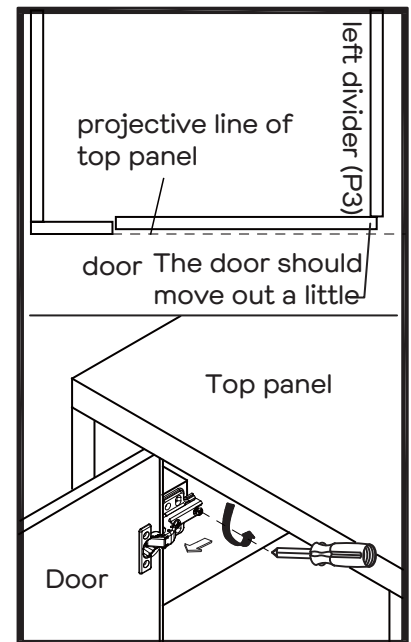
Loosen the screw indicated a little, adjust the hinge to right position (see step 2a & 2B), then tighten screw.

STEP 2a MOVE DOOR IN



Push the hinge back a little.

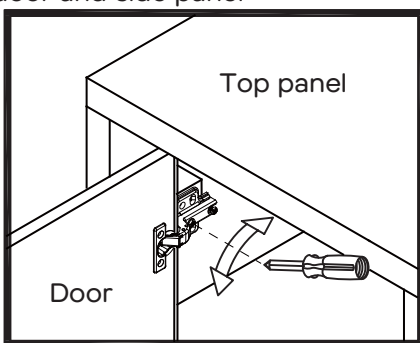
STEP 2b MOVE DOOR OUT



Pull the hinge forward a little.

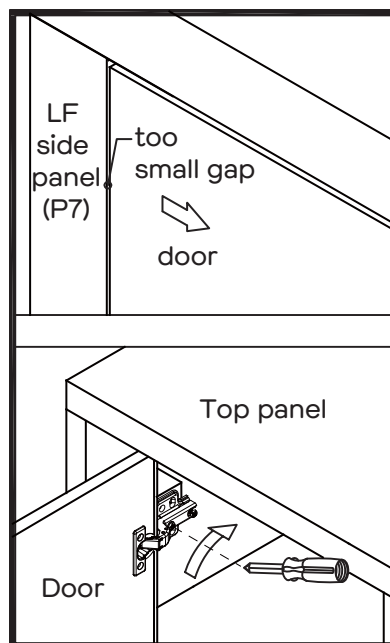
STEP 3

To adjust the gap between door and side panel



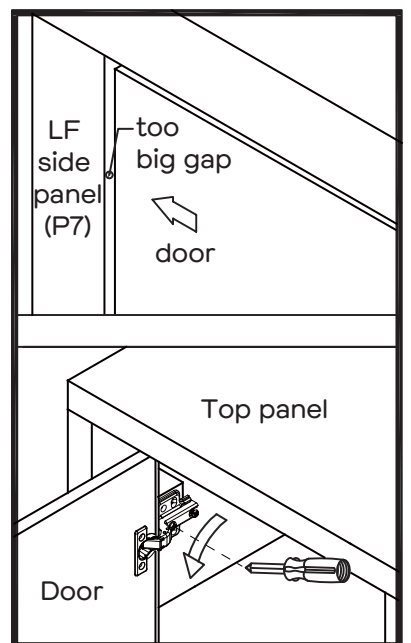
Loosen or tighten the screw indicated a little to adjust the gap between door and side panel (see step 3a & step 3b)

STEP 3a MOVE DOOR RIGHT



Turn the screw clockwise a little as shown to make the gap big.

STEP 3b MOVE DOOR LEFT



Turn the screw counterclockwise a little as shown to make the gap small.