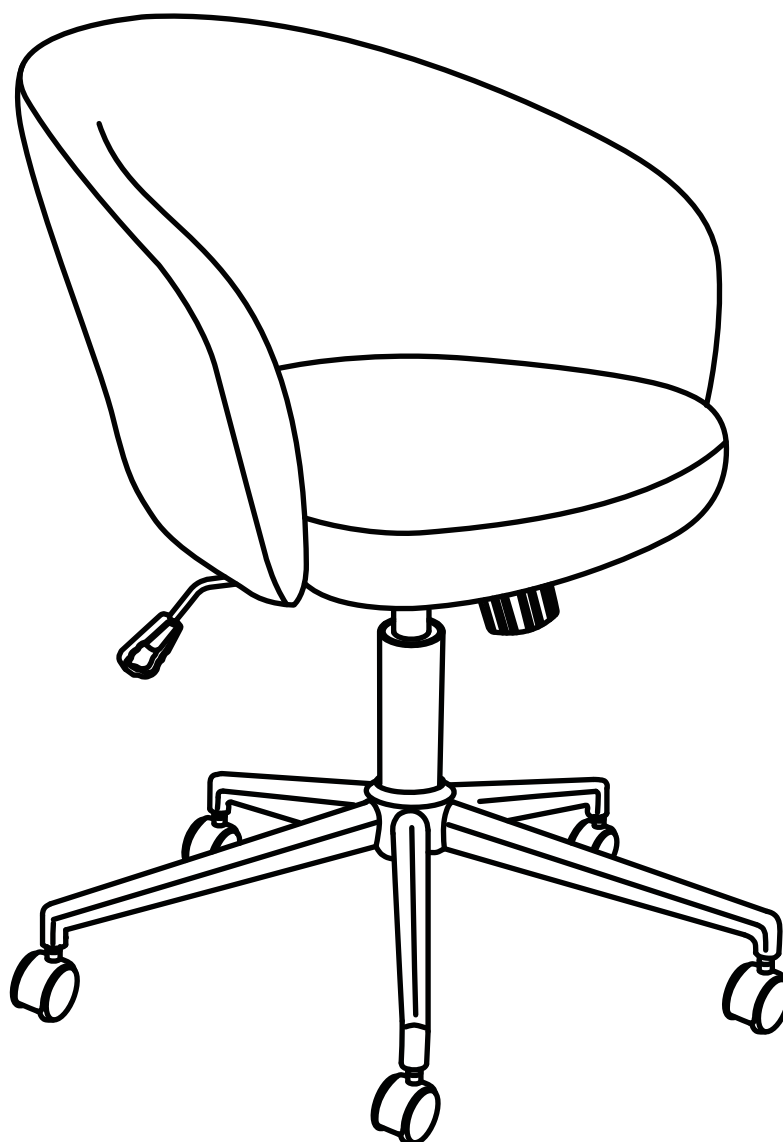




**Fantastic
Furniture**

Version 1.0



DAHLIA

Chair 1 Str Ivory/Gold

fantasticfurniture.com.au

Caution:

Do not stand on, or use this chair as a step ladder.
Use this product for seating one person at a time.
This product should be checked periodically to ensure
all components are secure and all hardware is tight.

Recommended weight capacity: 110kg

Looks like you've found your Fantastic!

We're thrilled you've chosen Fantastic Furniture
to help create a home you'll love!



Fantastic Furniture

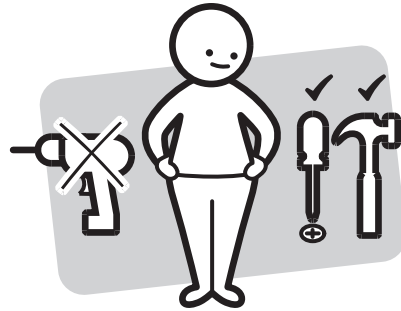
Love it? Share it!

Fantastic buy! Share how it looks at home on Instagram for
your chance to win a \$250 Fantastic Furniture Gift Card!
@fantasticfurniture

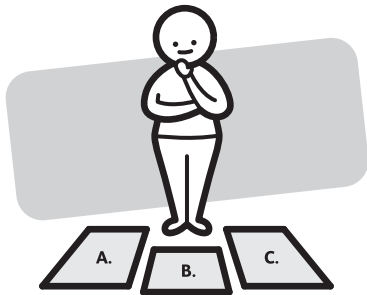
Assembly checklist



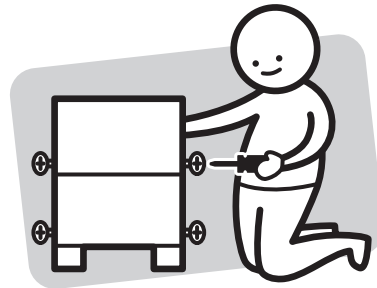
Read through the instructions carefully before you begin.



Make sure you have all the required tools. Never use power tools unless instructed.



Identify and lay out all of the components before you begin assembly.



Unless instructed, do not fully tighten screws until the item is fully assembled.

Useful information

- ! Never use power tools unless specifically instructed. They can damage your components or hardware if used incorrectly.
- ! The most common mistakes made during assembly are using the wrong hardware or getting components back to front.
- ! Always use a soft surface (such as carpet or cardboard) when assembling your product to avoid scratching or damaging the surface of the product.
- ! Bulky items such as wardrobes and bunk beds should be assembled in the room they will be used in as they may not fit through a door once assembled.
- ! Never use any glue until you are certain that the parts belong together.
- ! Periodically check and re-tighten all fasteners. Check the product care label or website for product care instructions.
- ! If you are having any difficulties assembling your product, missing any hardware or components please visit our website Help Centre for further assistance.
- ! Please see page 2 for any safety requirements or weight restrictions.

What you need

to assemble the product



DO NOT USE

Part list

Box 1:

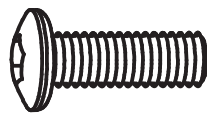
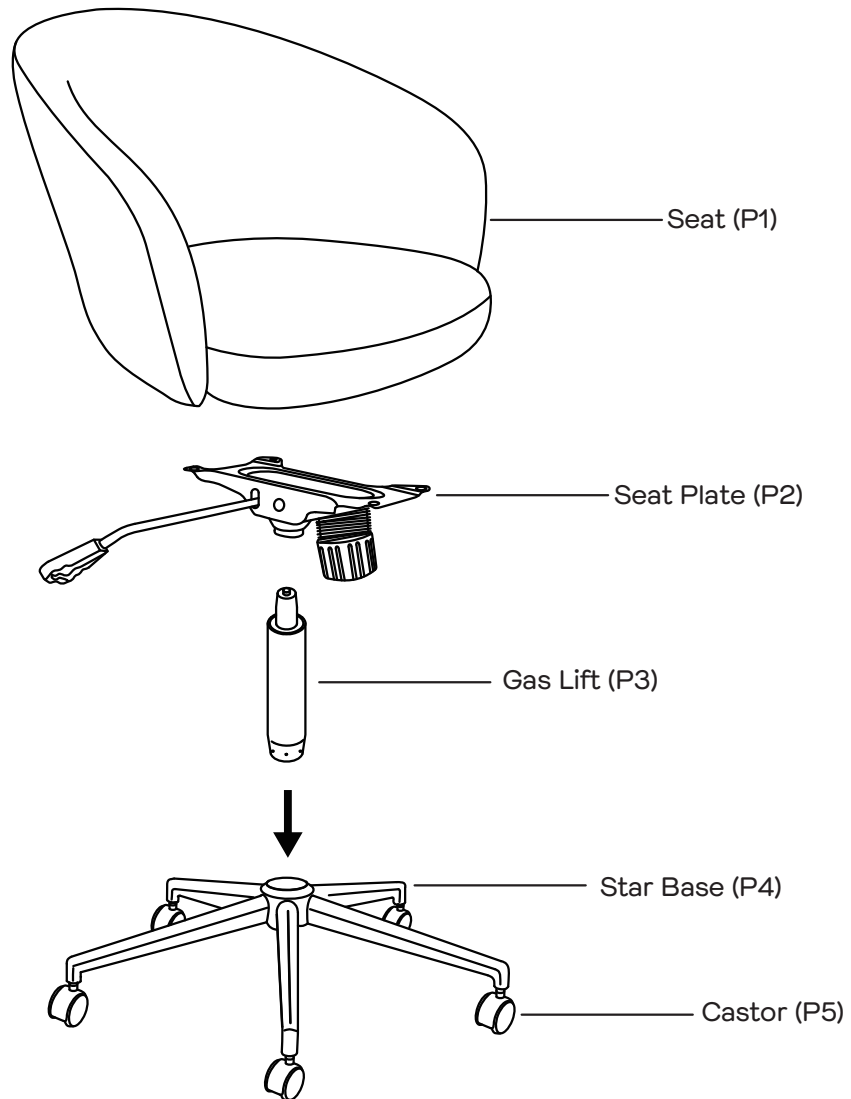
Seat (P1) X1

Seat Plate (P2) X1

Gas Lift (P3) X1

Star Base (P4) X1

Castor (P5) X5

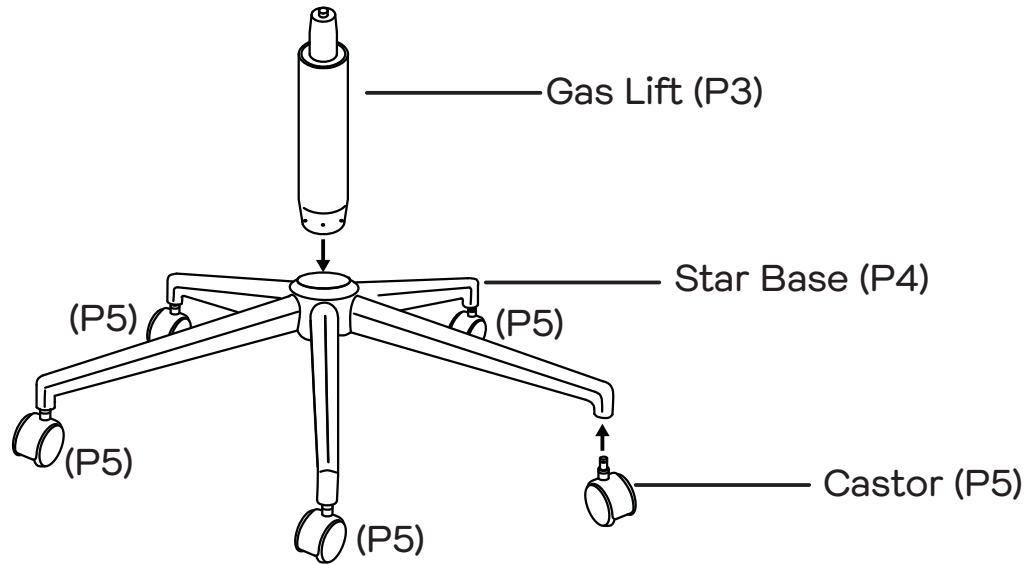


4 X Bolts
(H1)



Allen Key
(H2)

Step 1

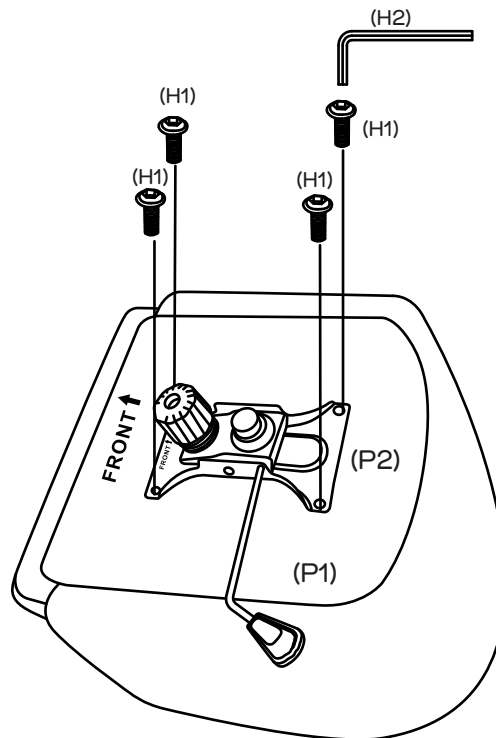


Insert 5x Castors (P5) into the Star Base (P4) as shown. Push down firmly on each castor to ensure they are fixed in position.

Insert the Gas Lift (P3) into the top of Star Base (P4).

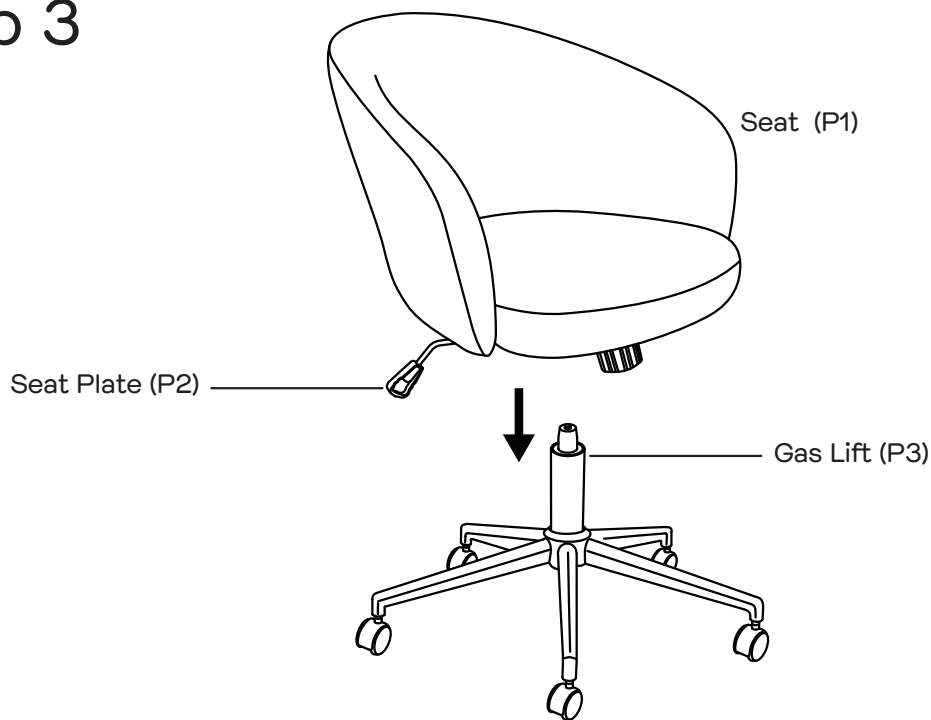
Step 2

You will need	
4 X Bolts (H1)	Allen Key (H2)

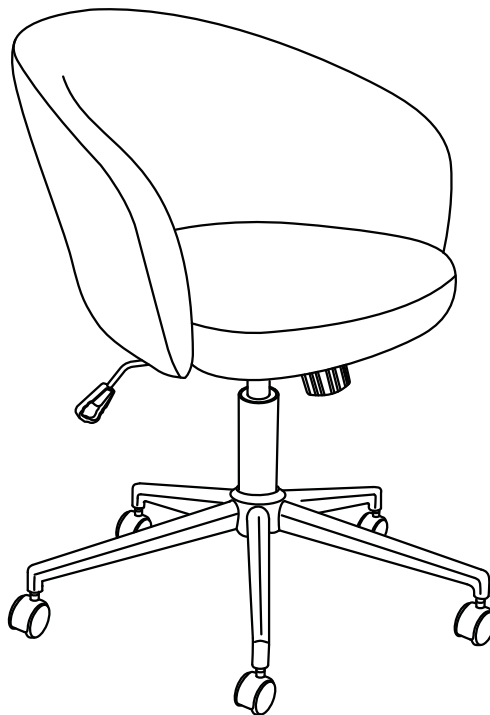


Align the holes on the Seat Plate (P2) with the bottom of the Seat (P1) and use Allen Key (H2) to fasten 4 X Bolts (H1) to the Seat (P1). Ensure the front of Seat Plate (P2) in the correct direction before securing to the base of Seat (P1).

Step 3



Position the centre hole of the Seat Plate (P2) over the top of the Gas Lift (P3). Carefully lower the Seat (P1) onto the Gas Lift (P3). Press seat down firmly. Check the connection is secure before sitting in the chair.



Job Complete!

In the interest of our environment please dispose of all packaging thoughtfully.