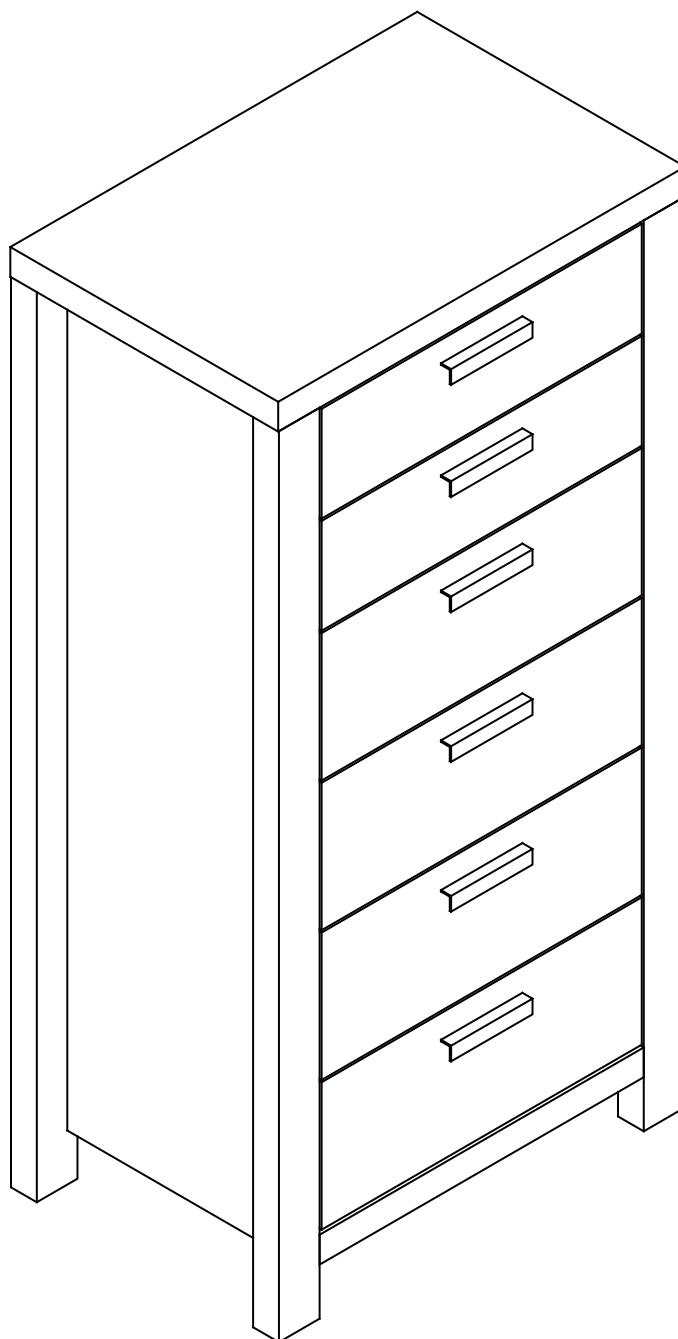




**Fantastic
Furniture**

Version 1.0



HAVANA
SLIM BOY

fantasticfurniture.com.au

Recommended weight capacity : 10kgs/drawer.



**WARNING: ENSURE THE WALL STRAP IS ATTACHED TO
AVOID SERIOUS INJURY.**

To avoid any serious or fatal injury, this product has been supplied with a wall strap to prevent toppling. We strongly recommend that this product is permanently fixed to the wall or other suitable surface. Connecting attachments for your wall are not included since different surface materials require different attachments. Please seek professional advice if you are in doubt of what wall connections to use.

Looks like you've found your Fantastic!

We're thrilled you've chosen Fantastic Furniture
to help create a home you'll love



Fantastic Furniture

Love it? Share it!

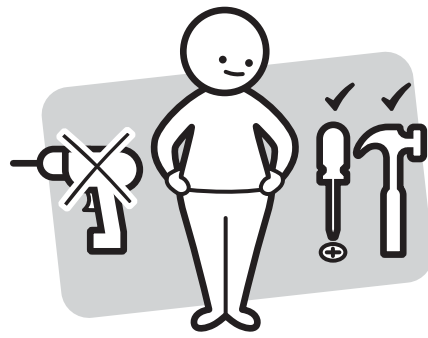
Fantastic buy! Share how it looks at home for your
chance to win a \$250 Fantastic Furniture Gift Card!

fantasticfurniture

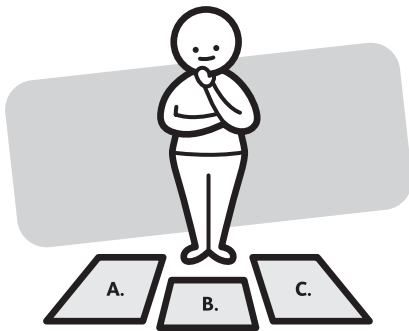
Assembly Checklist



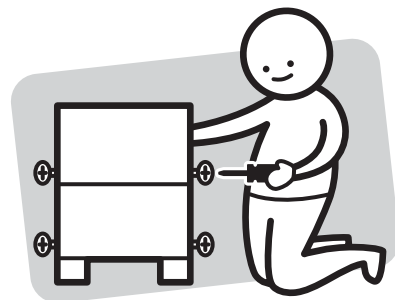
Read through the instructions carefully before you begin.



Make sure you have all the required tools. Never use power tools unless instructed.



Identify and lay out all of the components before you begin assembly.



Unless instructed, do not fully tighten screws until the item is fully assembled.

Useful Information

- ! Never use power tools unless specifically instructed. They can damage your components or hardware if used incorrectly.
- ! The most common mistakes made during assembly are using the wrong hardware or getting components back to front.
- ! Always use a soft surface (such as carpet or cardboard) when assembling your product to avoid scratching or damaging the surface of the product.
- ! Bulky items such as wardrobes and bunk beds should be assembled in the room they will be used in as they may not fit through a door once assembled.
- ! Never use any glue until you are certain that the parts belong together.
- ! Periodically check and re-tighten all fasteners. Check the product care label or website for product care instructions.
- ! If you are having any difficulties assembling your product, missing any hardware or components please visit our website Help Centre for further assistance.
- ! Please see page 2 for any safety requirements or weight restrictions.

What you need

to assemble the product



DO NOT USE



Other tools you need:

Phillips head screwdriver;
Hammer

Parts list

Top Panel (P1);
Left Side Panel (P2);
Right Side Panel (P3);
Leg (P4); Leg (P5); Leg (P6);
Leg (P7);
3 x Back Panels (P8);
2 x Rails (P9);
Rail (P10); Rail (P11); Rail (P12);
2 x Drawer Fronts (P13);
2 x Left Drawer Side (P14);
2 x Right Drawer Side (P15);
2 x Drawer Back (P16);
5 x Drawer Base (P17);
4 x Drawer Front (P18);
Drawer Base (P19);
4 x Left Drawer Side (P20);
4 x Right Drawer Side (P21);
4 x Drawer Back (P22)

Leg (P4)

Left Side Panel (P2)

Leg (P5)

Top Panel (P1)

Back Panel (P8)

Leg (P6)

Rail (P9)

Back Panel (P8)

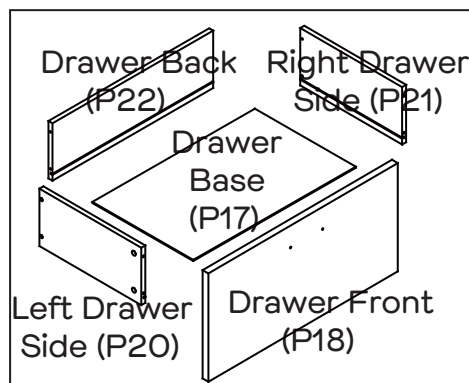
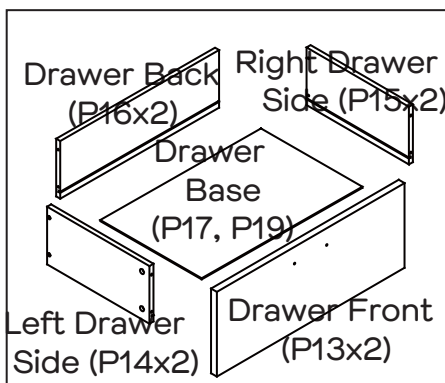
Rail (P10)

Back Panel (P8)

Rail (P12)

Rail (P11)

Leg (P7)



x4

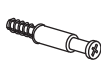
Hardware pack



4 x Plastic Glides (H1)



30 x Dowels (H2)



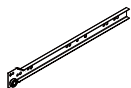
32 x Cam Bolts (H3)



32 x Cam Nuts (H4)



60 x Small Screws (H5)



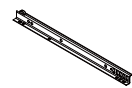
6 x CL Runner Tracks (H6)



6 x CR Runner Tracks (H7)



6 x DL Runners (H8)



6 x DR Runners (H9)



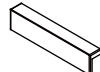
24 x Small Cam Bolts (H10)



24 x Small Cam Nuts (H11)



24 x Long Screws (L25mm) (H12)



6 x Handles (H13)



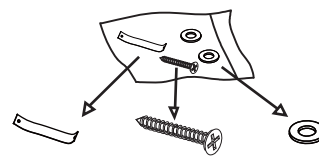
12 x Handle Bolts (H14)



8 x Wedges (H15)



8 x Screws (H16)

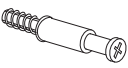





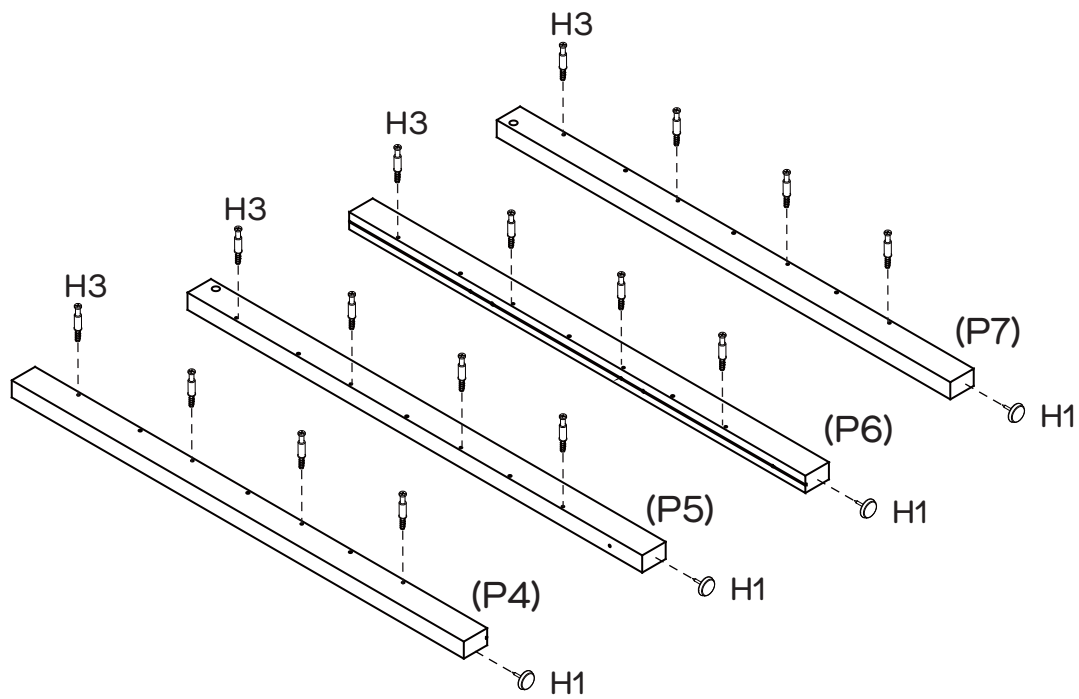
1 x Safety Strap (H17)

1 x Screw (L25mm) (H18)

2 x Washers (H19)

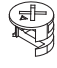
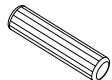

Step 1

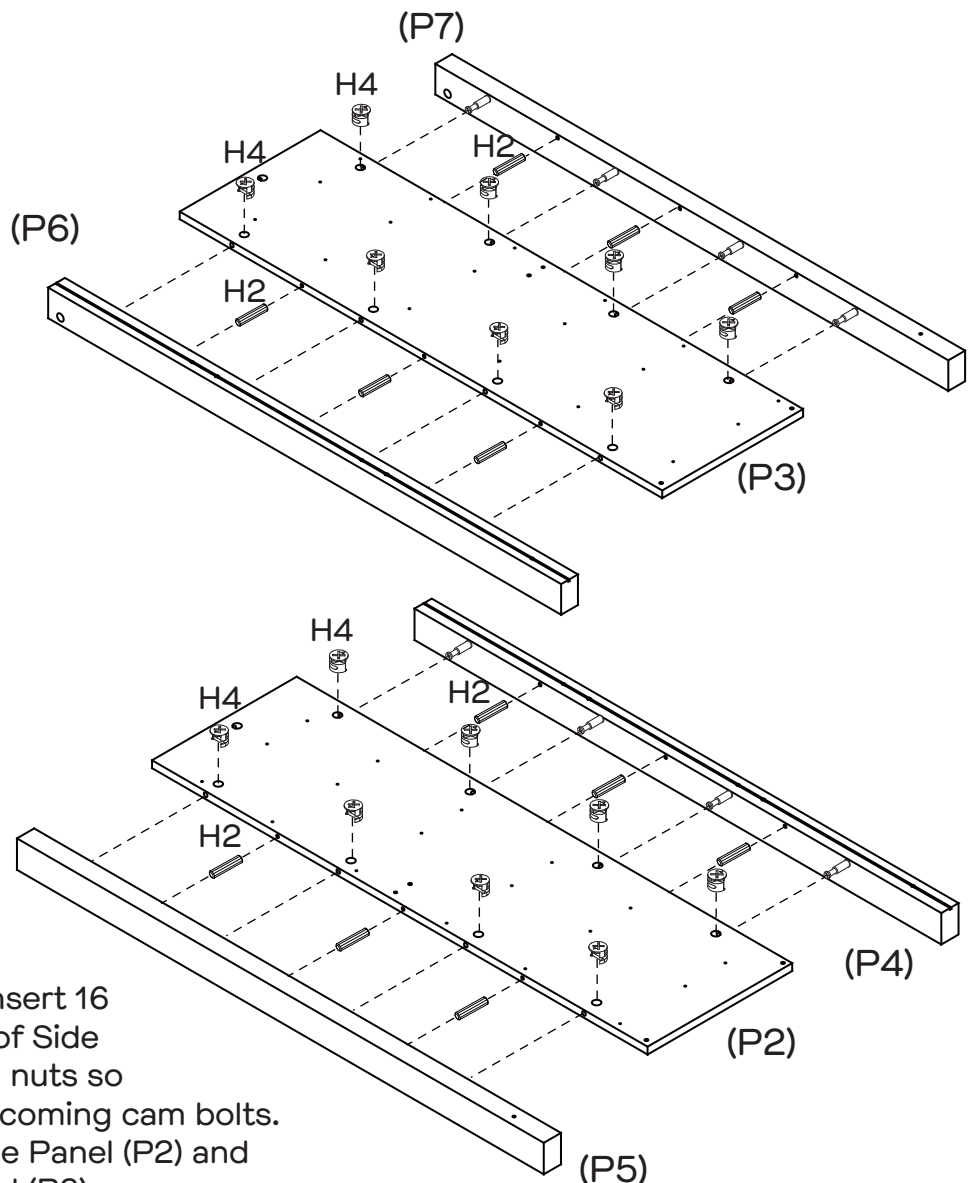
You will need	
	
16 x Cam Bolts (H3)	4 x Plastic Glides (H1)
	
Phillips Head Screwdriver	Hammer



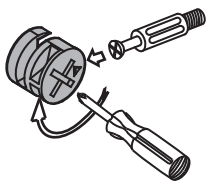
Secure 16 x Cam Bolts (H3) to Legs (P4, P5, P6, P7) by tightening with the Phillips Head Screwdriver. Hammer 4 x Plastic Glides (H1) on Legs (P4, P5, P6, P7) as shown.

Step 2

You will need	
	
16 x Cam Nuts (H4)	12 x Dowels (H2)
	
Phillips Head Screwdriver	



This is how a cam nut works.....

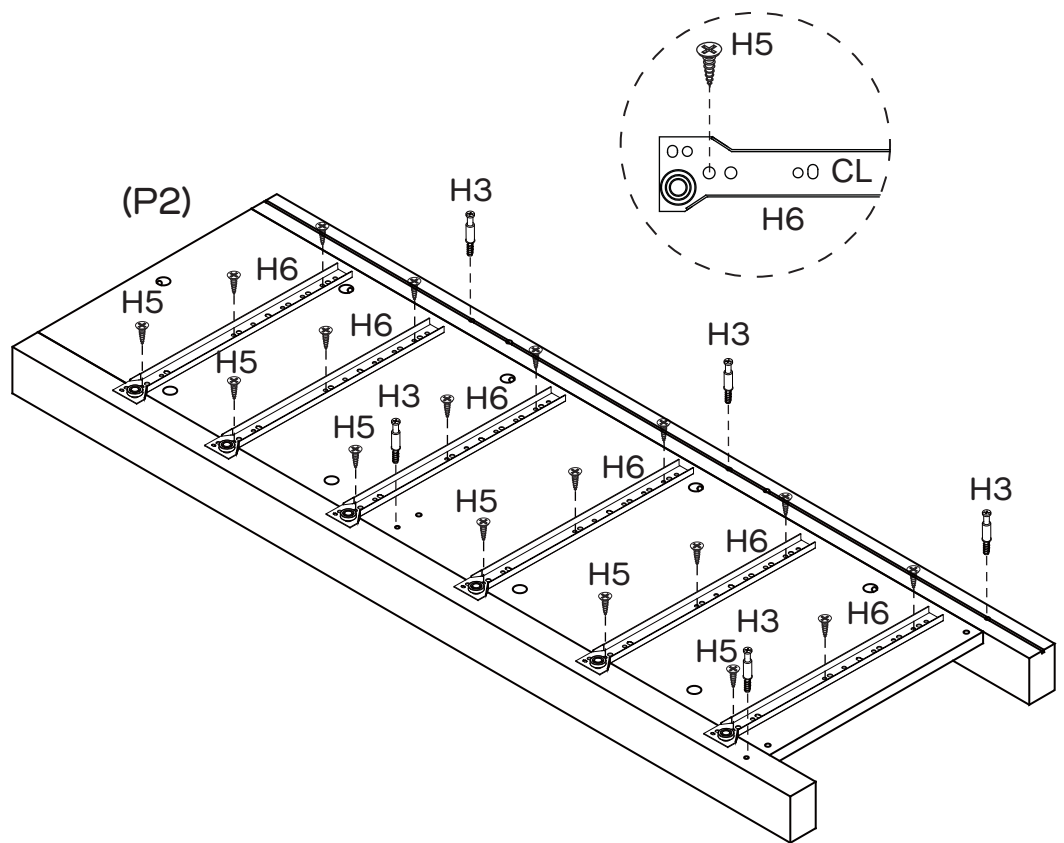


The head of the cam bolt goes into the open mouth of the cam nut. You then turn the cam nut so it tightens over the bolt.

Insert 12 x Dowels (H2) into the holes of Side Panels (P2, P3). Insert 16 x Cam Nuts (H4) into the holes of Side Panels (P2, P3). Rotate the cam nuts so the arrows point towards the incoming cam bolts. Attach Legs (P4, P5) to Left Side Panel (P2) and Legs (P6, P7) to Right Side Panel (P3). Tightening Cam Nuts with the Phillips Head Screwdriver.

Step 3

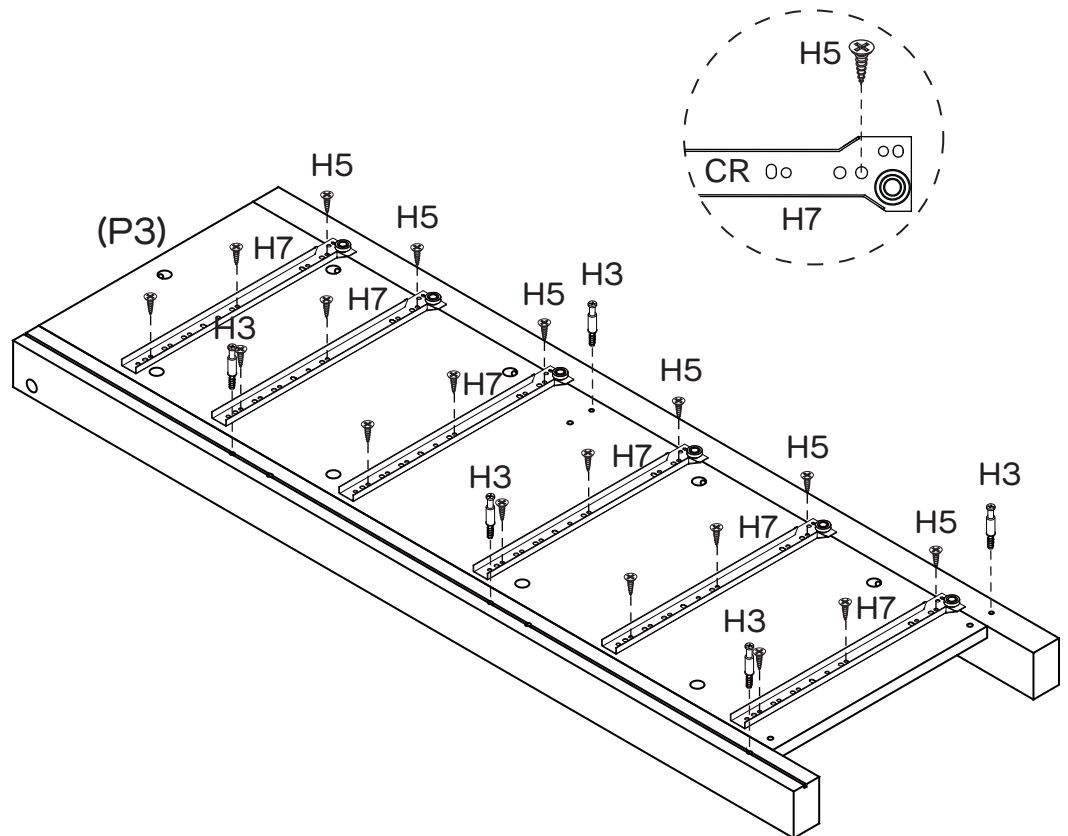
You will need	
6 x CL Runner Track (H6)	18 x Small Screws (H5)
5 x Cam Bolts (H3)	Phillips Head Screwdriver



Attach 6 x CL Runner Tracks (H6) to Left Side Panel (P2) with 18 x Small Screws (H5). Secure 5 x Cam Bolts (H3) to Left Side Panel (P2) by tightening with the Phillips Head Screwdriver.

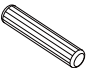


Step 4

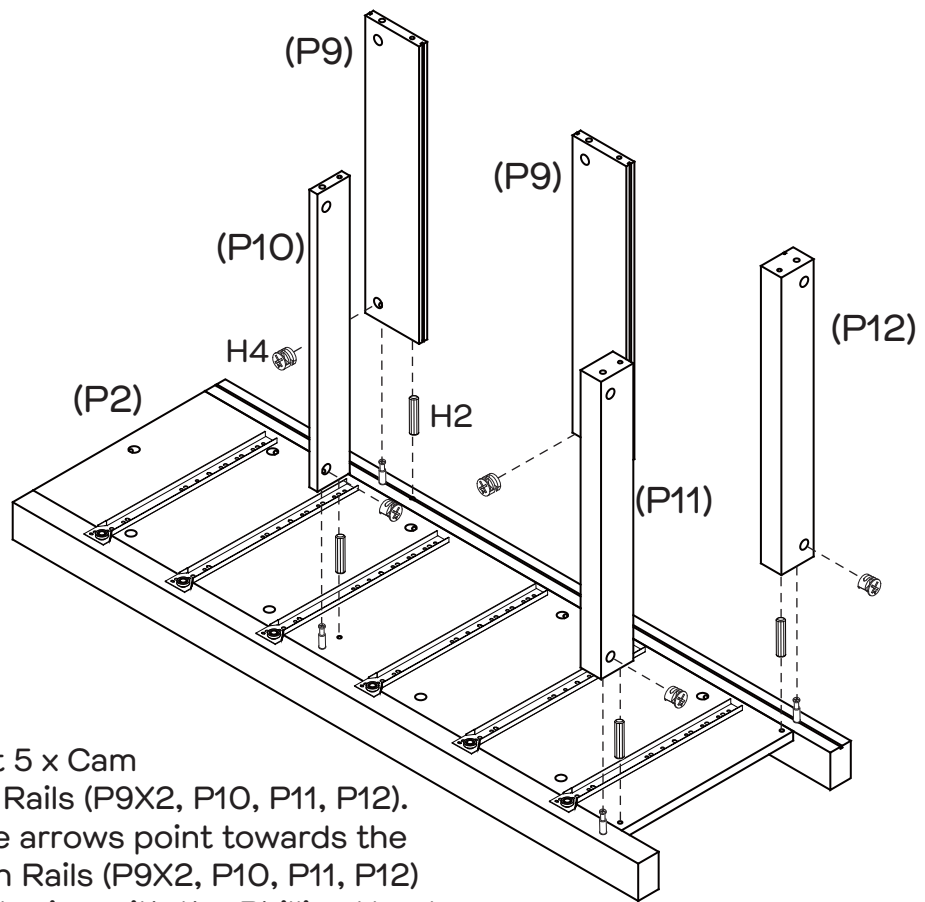
You will need	
6 x CR Runner Track (H7)	18 x Small Screws (H5)
5 x Cam Bolts (H3)	Phillips Head Screwdriver



Attach 6 x CR Runner Tracks (H7) to Right Side Panel (P3) with 18 x Small Screws (H5). Secure 5 x Cam Bolts (H3) to Right Side Panel (P3) by tightening with the Phillips Head Screwdriver.

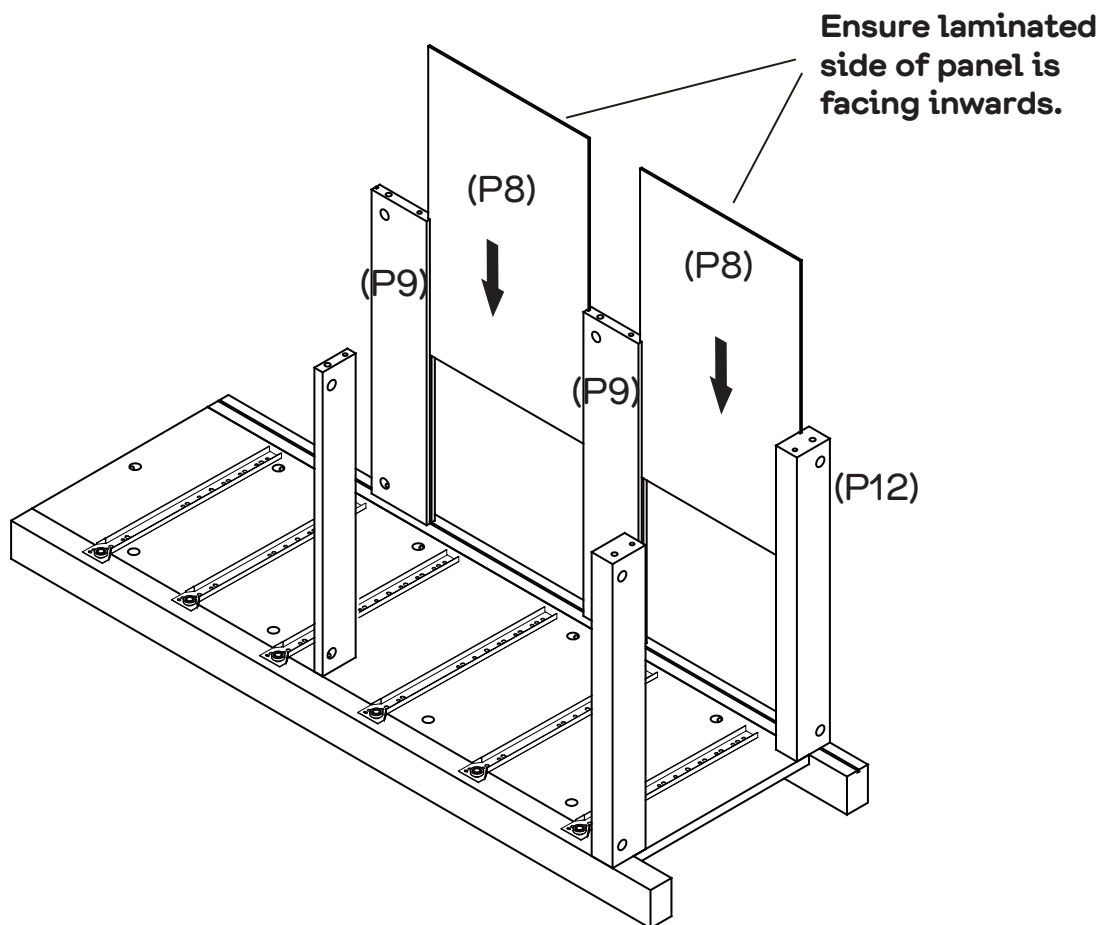
Step 5

You will need	
	
5 x Dowels (H2)	5 x Cam Nuts (H4)
	
Phillips Head Screwdriver	



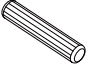


Insert 5 x Dowels (H2) into Left Side Panel (P2). Insert 5 x Cam Nuts (H4) into the holes of Rails (P9x2, P10, P11, P12). Rotate the cam nuts so the arrows point towards the incoming cam bolts. Attach Rails (P9x2, P10, P11, P12) to the left frame, then tightening with the Phillips Head Screwdriver.

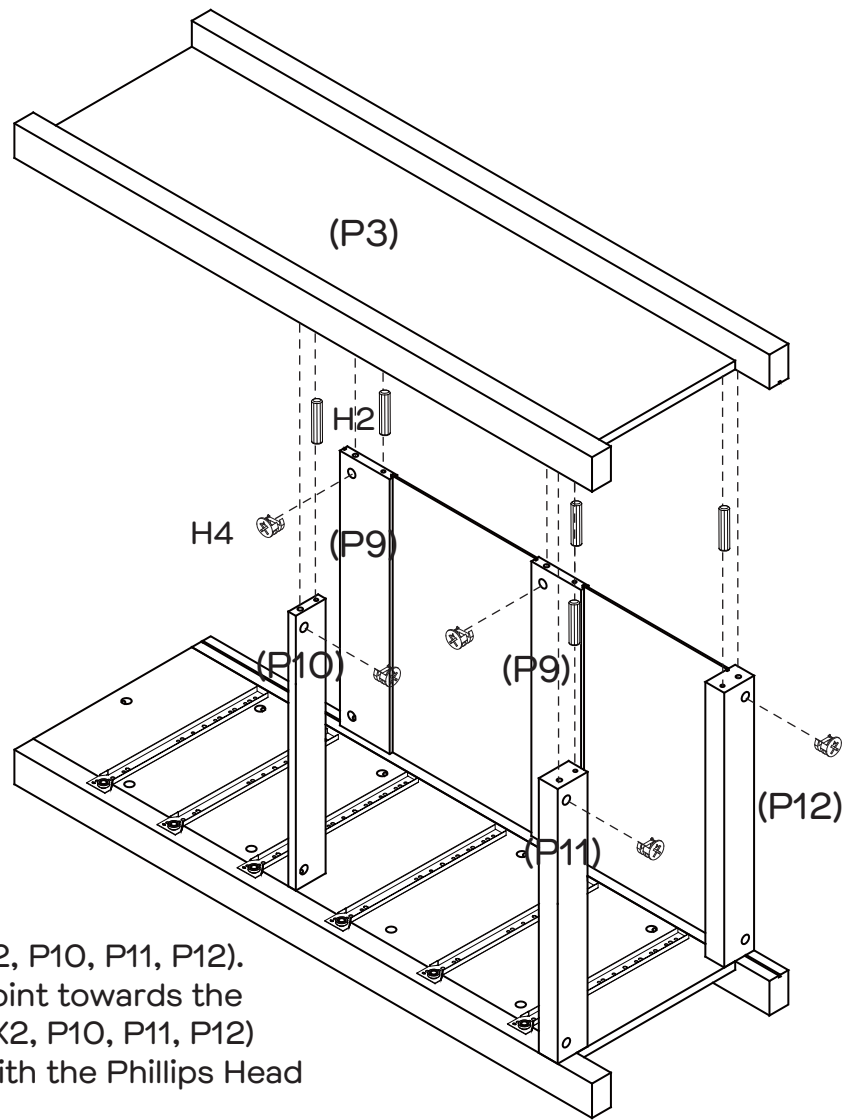
Step 6



Slide 2 x Back Panels (P8) into the grooves of Rails (P9x2&P12).

Step 7

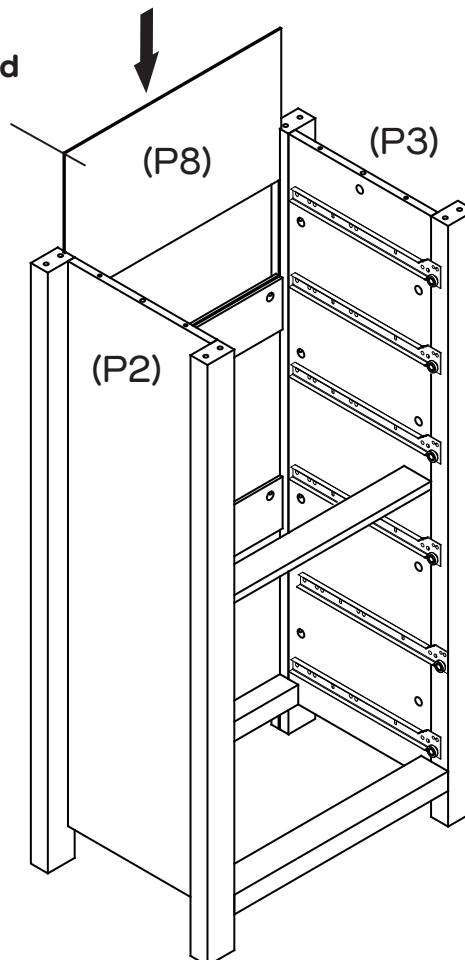
You will need	
	
5 x Dowels (H2)	5 x Cam Nuts (H4)
	
Phillips Head Screwdriver	



Insert 5 x Dowels (H2) into Right Side Panel (P3). Insert 5 x Cam Nuts (H4) into the holes of Rails (P9X2, P10, P11, P12). Rotate the cam nuts so the arrows point towards the incoming cam bolts. Attach Rails (P9X2, P10, P11, P12) to the Right frame, then tightening with the Phillips Head Screwdriver.

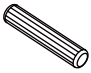
Step 8

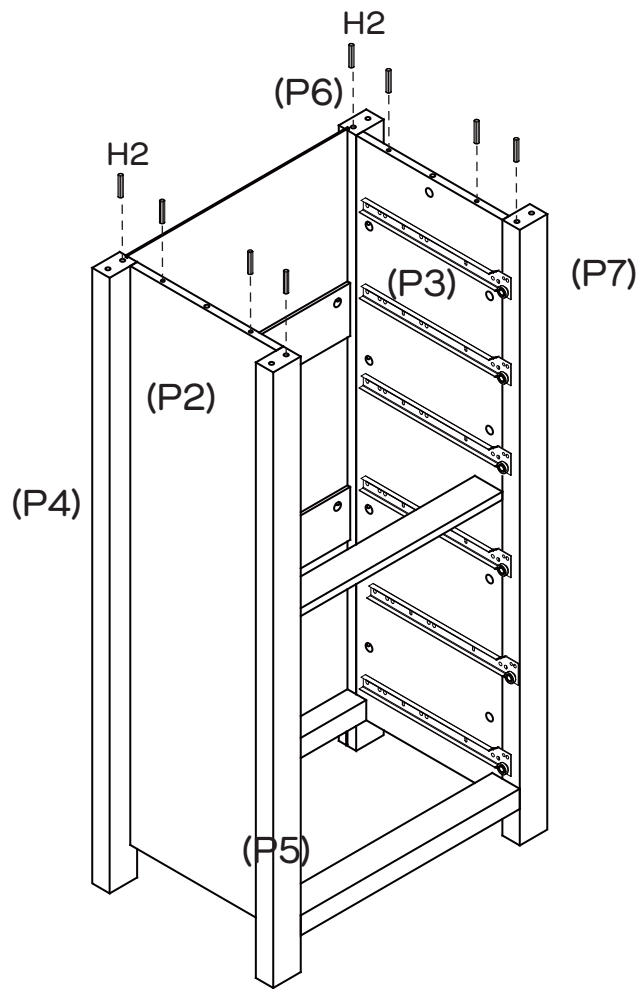
Ensure laminated side of panel is facing inwards.



Carefully turn the tallboy over to an upright position. Slide Back Panels (P8) into the grooves in Left Side Panel (P2) and Right Side Panel (P3).

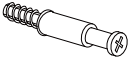

Step 9

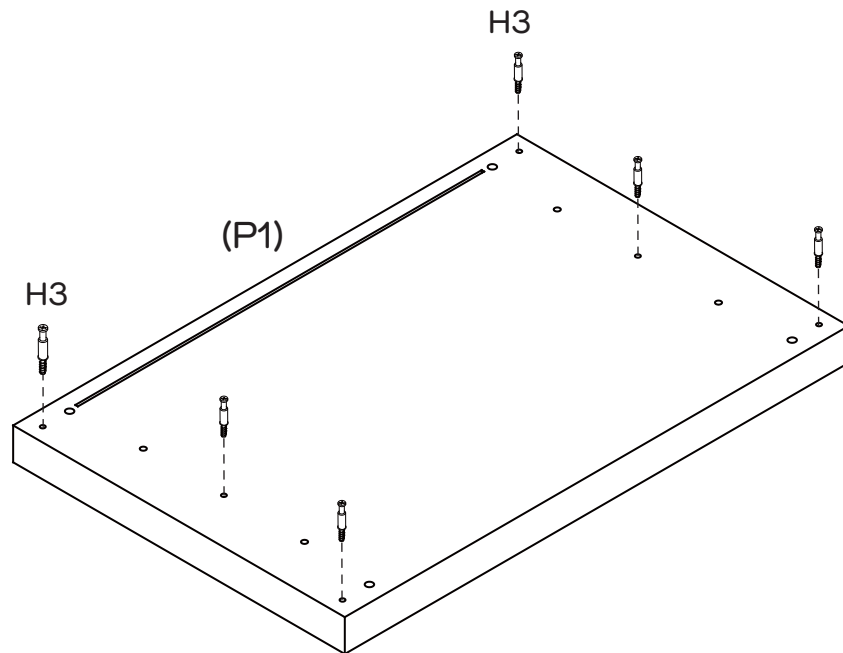
You will need	
	
8 x Dowels (H2)	



Insert 8 x Dowels (H2) into Left Side Panel (P2), Right Side Panel (P3) and Legs (P4, P5, P6, P7).



Step 10

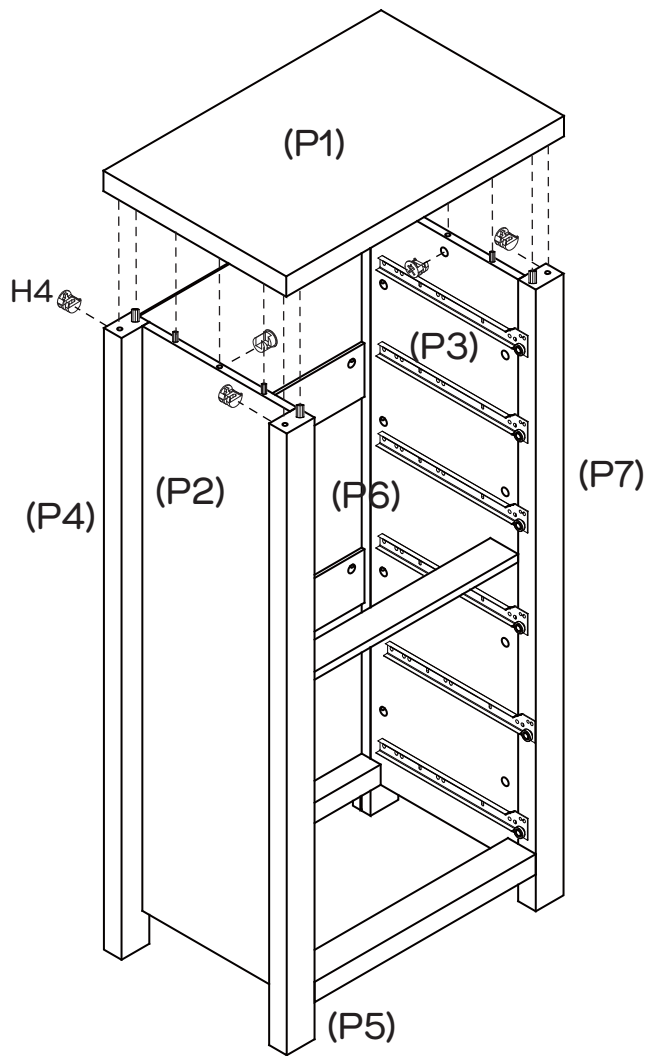
You will need	
	
6 x Cam Bolts (H3)	Phillips Head Screwdriver



Secure 6 x Cam Bolts (H3) to Top Panel (P1) by tightening with the Phillips Head Screwdriver.

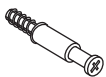

Step 11

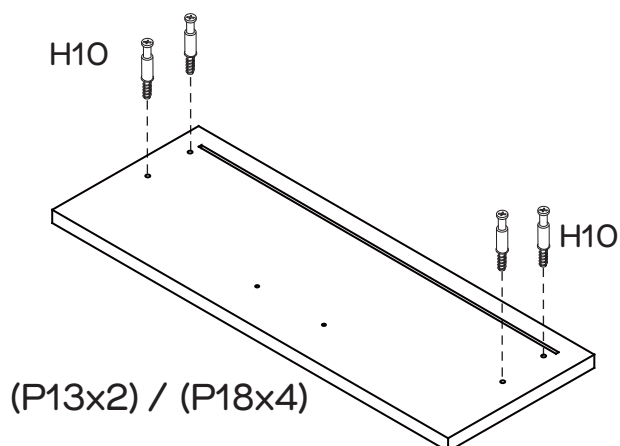
You will need	
	
6 x Cam Nuts (H4)	Phillips Head Screwdriver



Insert 6 x Cam Nuts (H4) into the holes of Side Panels (P2, P3) and Legs (P4, P5, P6, P7). Rotate the cam nuts so the arrows point towards the incoming cam bolts. Attach Top Panel (P1) into place, and then tighten the cam nuts.



Step 12

You will need	
	
24 x Small Cam Bolts (H10)	Phillips Head Screwdriver

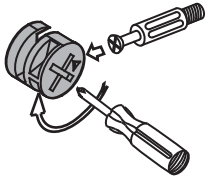


Secure 24 x Cam Bolts (H3) to Drawer Fronts (P13x2, P18x4) by tightening with the Phillips Head Screwdriver.

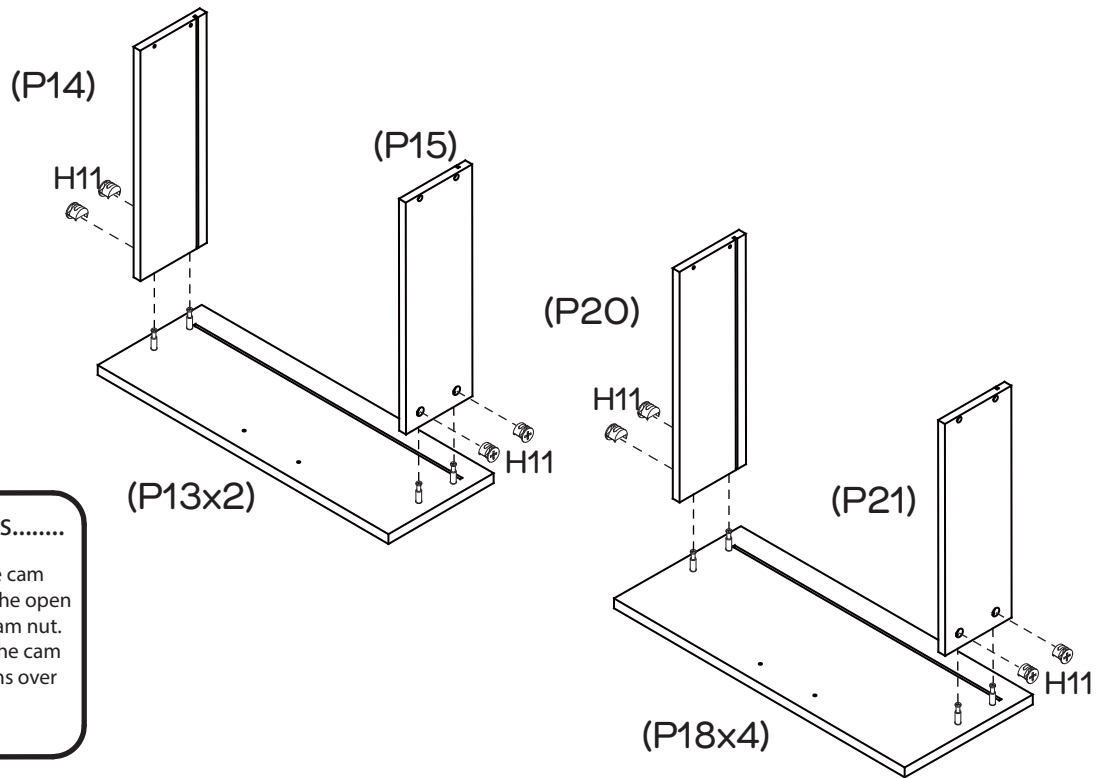
Step 13

You will need	
	
24 x Small Cam Nuts (H11)	Phillips Head Screwdriver

This is how a cam nut works.....

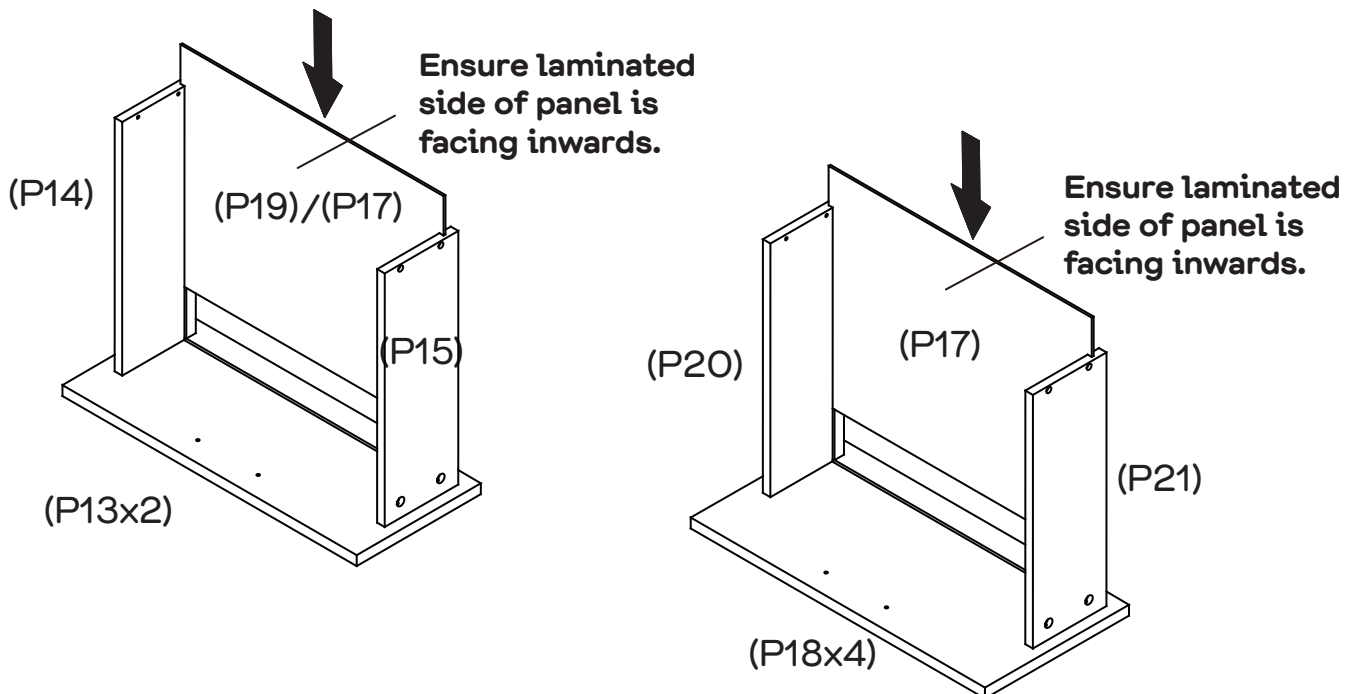


The head of the cam bolt goes into the open mouth of the cam nut. You then turn the cam nut so it tightens over the bolt.





Insert 24 x Small Cam Nuts (H11) into Left Drawer Sides (P14x2 & P20x4) & Right Drawer Sides (P15x2 & P21x4), attach to Drawer Fronts (P13x2, P18x4) by tightening Cam Nuts with the Phillips Head Screwdriver.

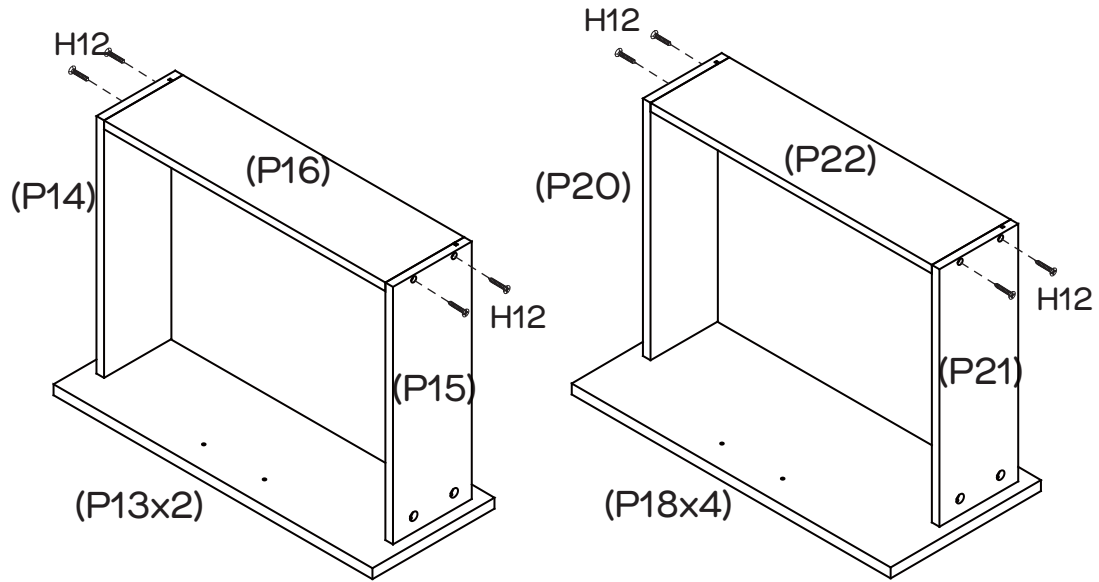
Step 14



Slide the Drawer Bases (P17x5) into the grooves of Left & Right Drawer Side (P14 & P15, P20x4 & P21x4) as shown. Slide the Drawer Base (P19) into the grooves of Left & Right Drawer Side (P14 & P15) as shown.

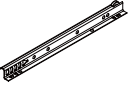
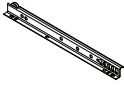
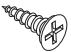

Step 15

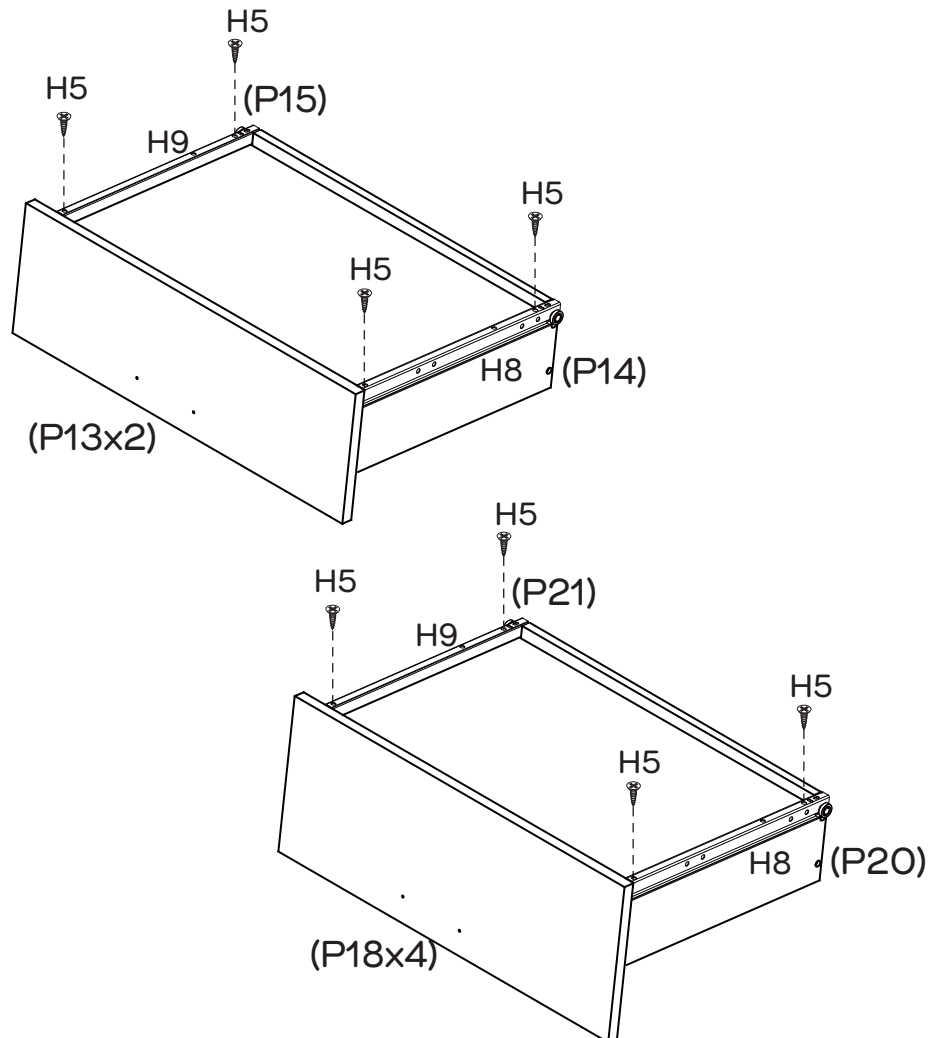
You will need	
	
24 x Long Screws (H12)	Phillips Head Screwdriver



Attach Drawer Back (P16x2) to Left & Right Drawer Sides (P14x2 & P15x2) with 8 x Long Screws (H12) by tightening with the Phillips Head Screwdriver. Attach Drawer Back (P22x4) to Left & Right Drawer Sides (P20x4& P21x4) with 16 x Long Screws (H12) by tightening with the Phillips Head Screwdriver. Before securing - Ensure the Bottom Panel lines up with the grooves the whole way around the drawer.

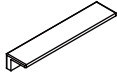
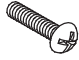

Step 16

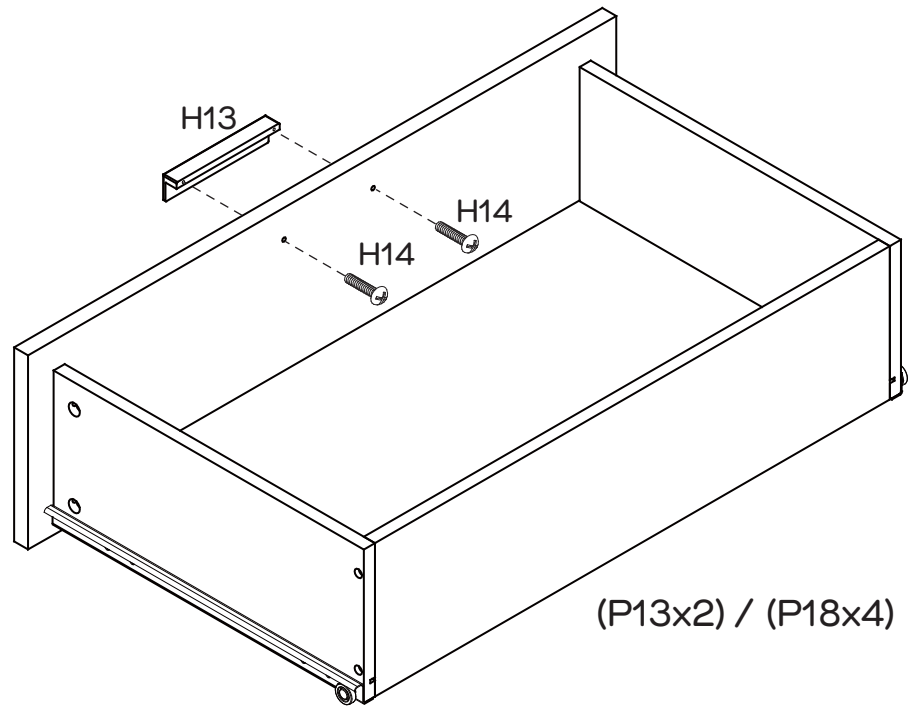
You will need	
	
6 x DL Runner (H8)	6 x DR Runner (H9)
	
24 x Small Screws (H5)	Phillips Head Screwdriver



Attach 6 x DL Runner (H8) to Left Drawer Side (P14x2 & P20x4) and 6 x DR Runner (H9) to Right Drawer Side (P15x2 & P21x4) with 24 x Small Screws (H5) by tightening with the Phillips Head Screwdriver.

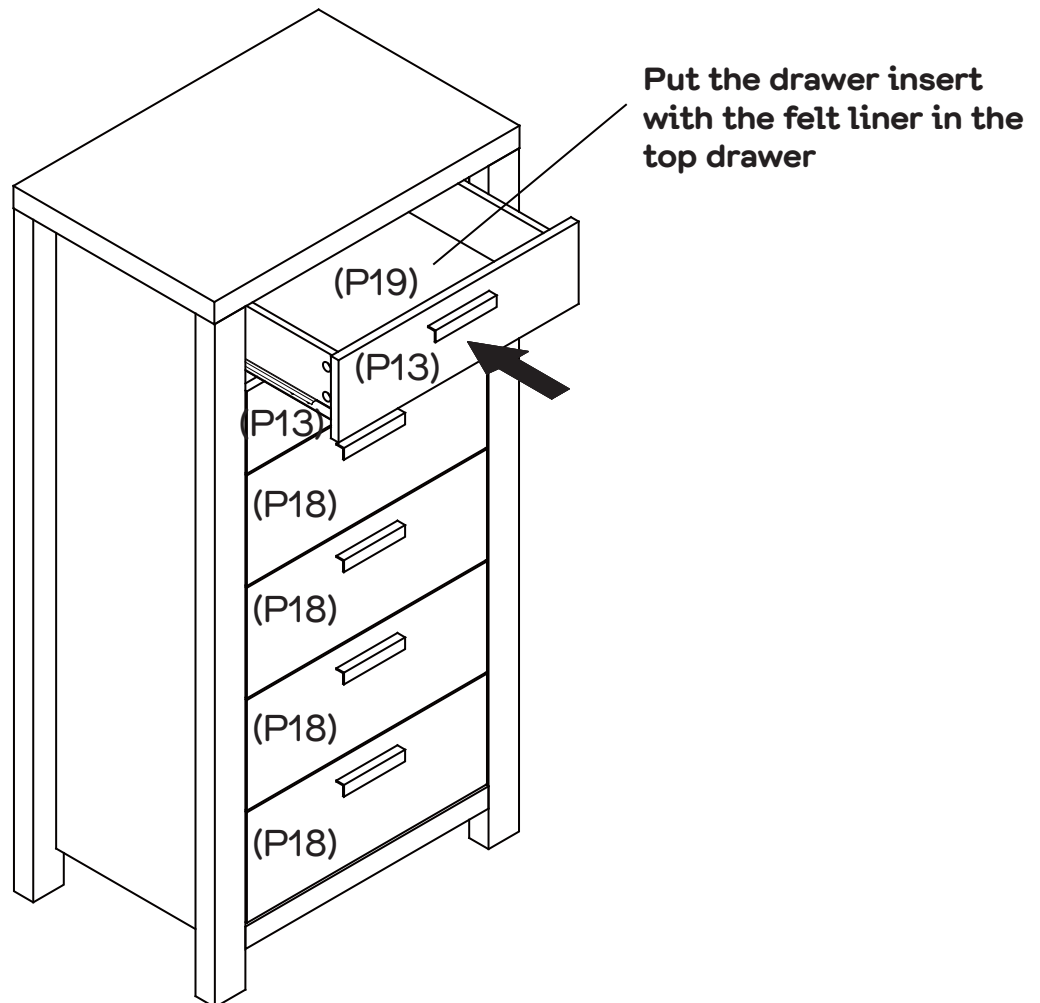
Step 17

You will need	
	
6 x Handles (H13)	12 x Handle Bolts (H14)
	
Phillips Head Screwdriver	



Attach 6 x Handles (H13) to Drawer Fronts (P13x2, P18x4) with 12 x Handle Bolts (H14). Tighten Round Head Bolts using a Phillips head screwdriver.

Step 18

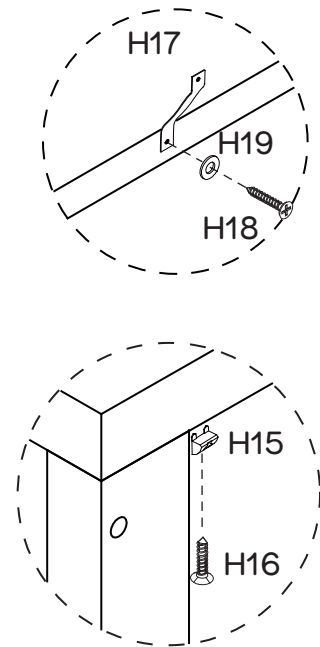
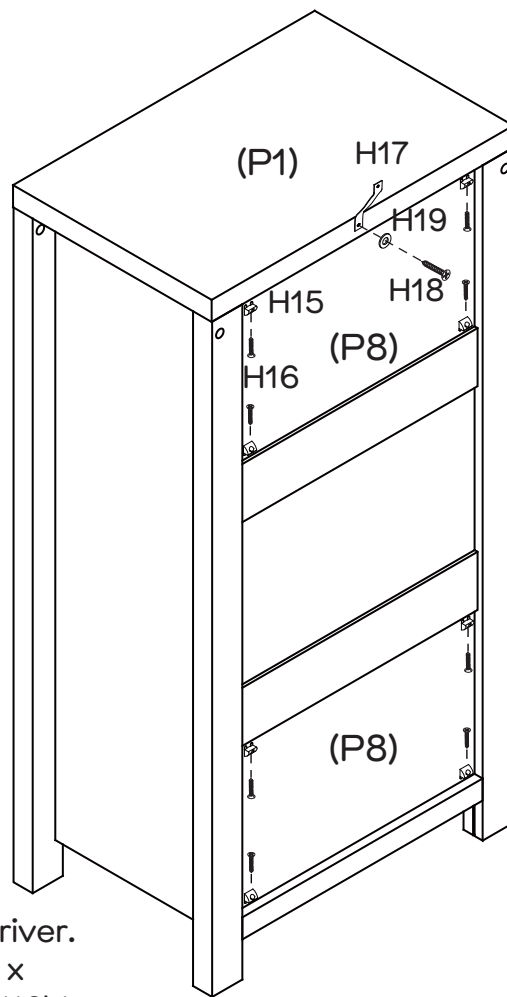


Insert the assembled drawer into the unit by gently guiding the drawer runners into place.

Step 19

You will need	
8 x Wedges (H15)	8 x Wedge Screws (H16)
1 x Safety Strap (H17)	1 x Safety Strap Screw (H18)
1 x Washer (H19)	Phillips Head Screwdriver

Attach 1 x Safety Strap (H17) to Top Panel (P1) with 1 x Safety Strap Screw (H18) and 1 x Washer (H19) by tightening with the Phillips Head Screwdriver. Secure Back Panel (P8x2) in place with 8 x Wedges (H15) using 8 x Wedge Screws (H16) by tightening with the Phillips Head Screwdriver.



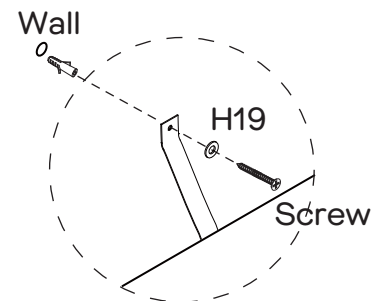
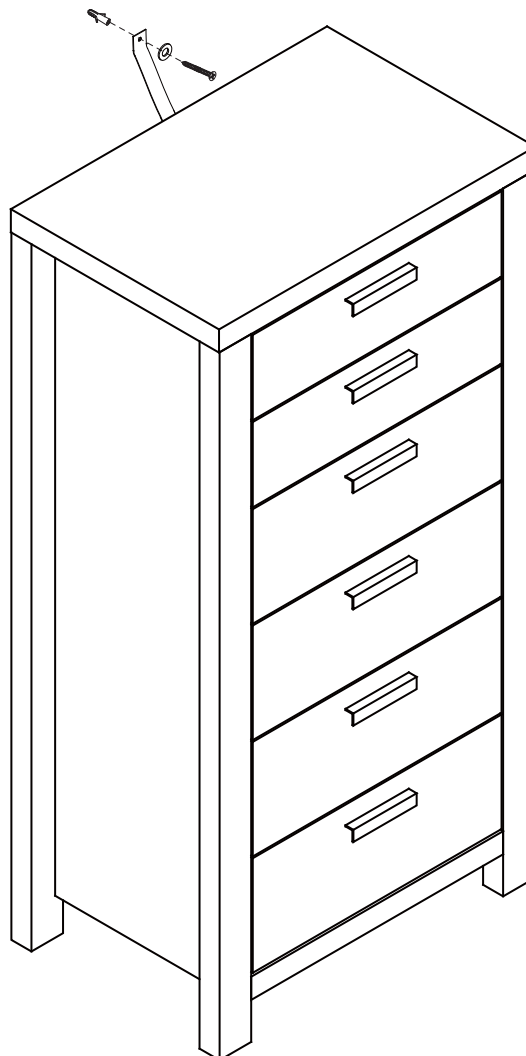
Step 20

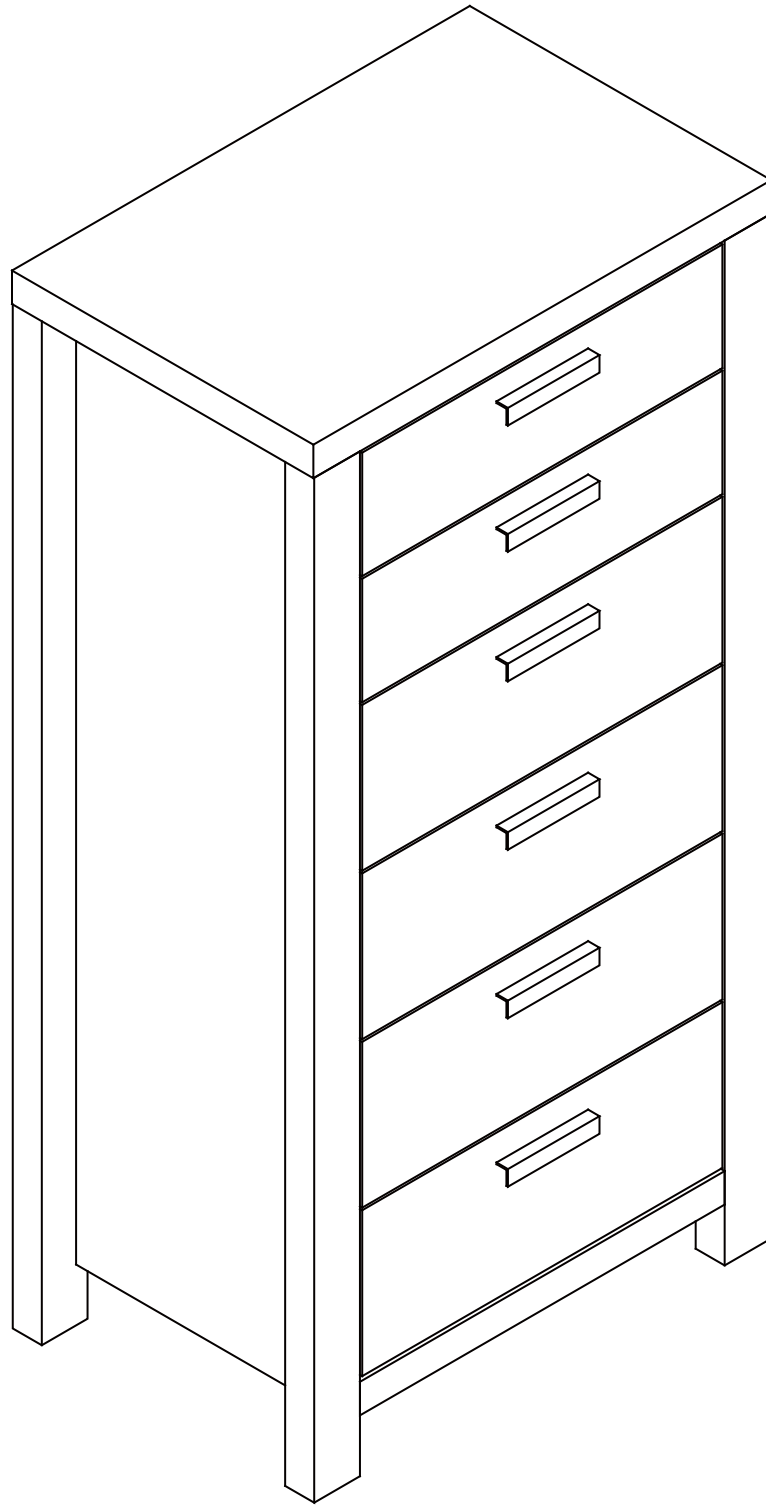
You will need	
1 x Washer (H19)	Phillips Head Screwdriver
Screw and Wall Plug are not provided. Please use appropriate fixtures for your wall.	

Seek advice from a qualified trades person on how to attach this safety strap to your specific wall.

Move the unit to the final position, and attach the safety strap to the wall securely. Make sure it is firmly attached and snug fit.

fantasticfurniture.com.au





Job Complete!

In the interest of our environment please dispose of all packaging thoughtfully.