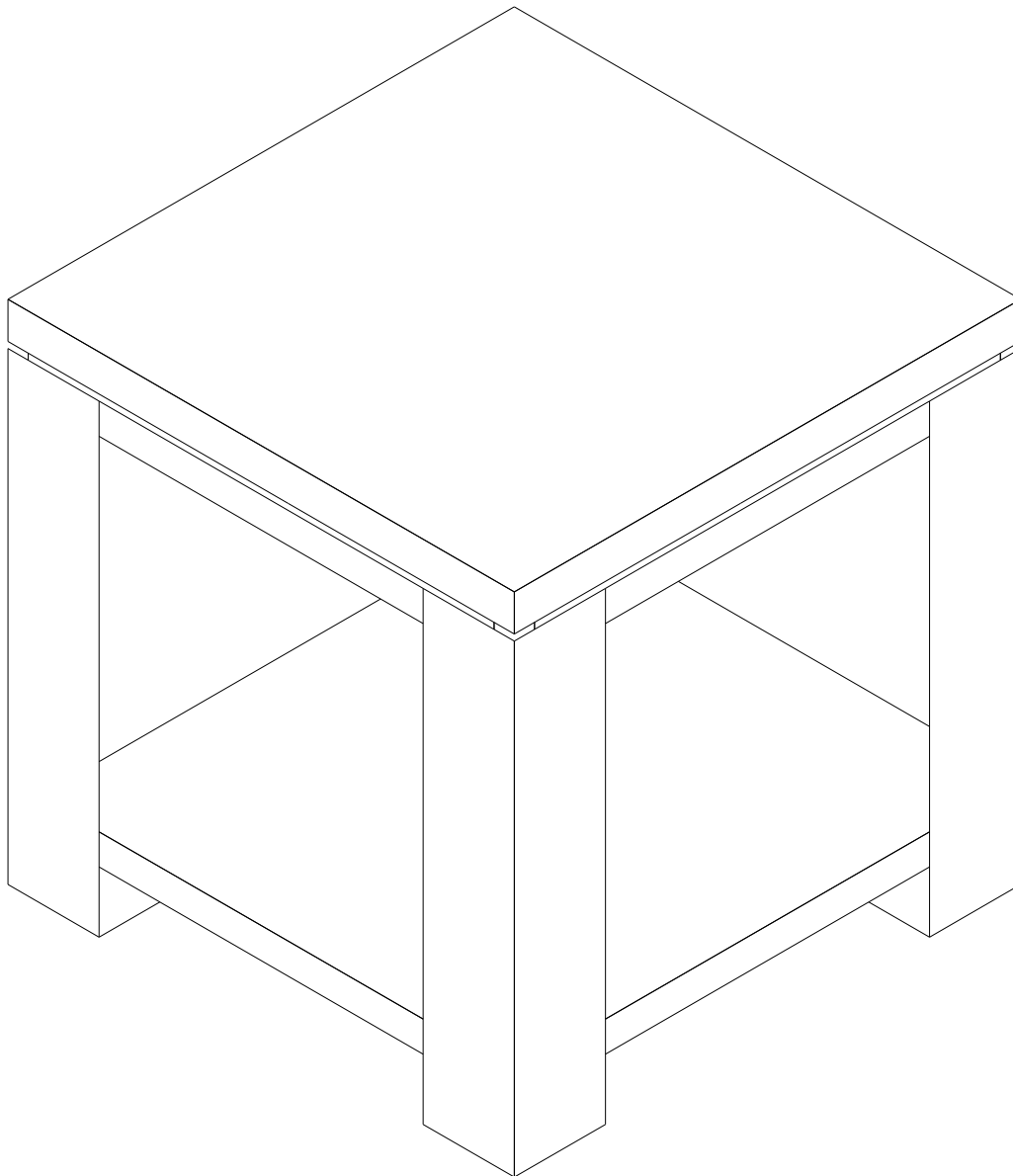


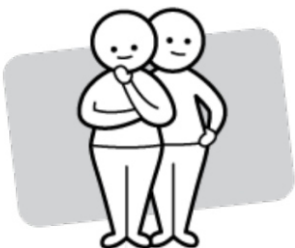


**Fantastic
Furniture**

Version 1.0



Two People



Required

TORONTO

Lamp Table Square

fantasticfurniture.com.au

NOTE: ANY MANDATORY CONSUMER STATEMENTS, SAFETY REQUIREMENTS OR WEIGHT RATINGS SHOULD BE ON THIS PAGE.

Looks like you've found your Fantastic!

We're thrilled you've chosen Fantastic Furniture
to help create a home you'll love!



Fantastic Furniture

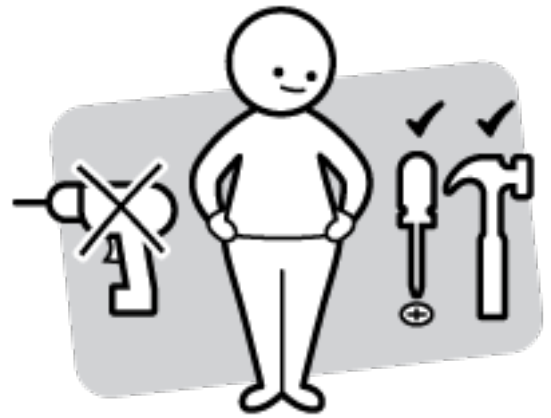
Love it? Share it!

Fantastic buy! Share how it looks at home on Instagram for
your chance to win a \$250 Fantastic Furniture Gift Card!
@fantasticfurniture

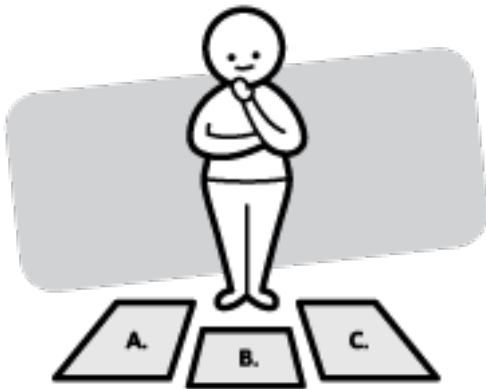
Assembly checklist



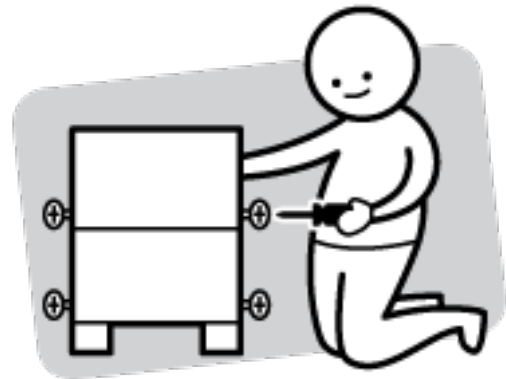
Read through the instructions carefully before you begin.



Make sure you have all the required tools. Never use power tools unless instructed.



Identify and lay out all of the components before you begin assembly.



Unless instructed, do not fully tighten screws until the item is fully assembled.

Useful Information

! Never use power tools unless specifically instructed. They can damage your components or hardware if used incorrectly.

! The most common mistakes made during assembly are using the wrong hardware or getting components back to front.

! Always use a soft surface (such as carpet or cardboard) when assembling your product to avoid scratching or damaging the surface of the product.

! Bulky items such as wardrobes and bunk beds should be assembled in the room they will be used as they may not fit through a door once assembled.

! Never use any glue until you are certain that the parts belong together.

! Periodically check and re-tighten all fasteners. Check the product care label or website for product care instructions.

! If you are having any difficulties assembling your product, missing any hardware or components please visit our website Help Centre for further assistance.

! Please see page 2 for any safety requirements or weight restrictions.

What you need

to assemble the product



DO NOT USE



(Tool not provided)
Mallet

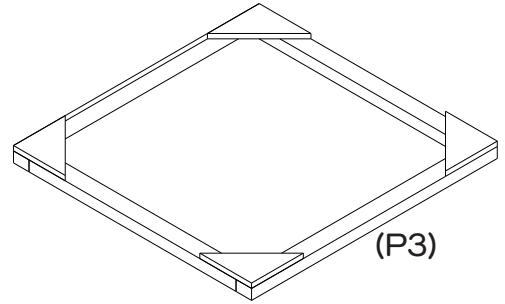
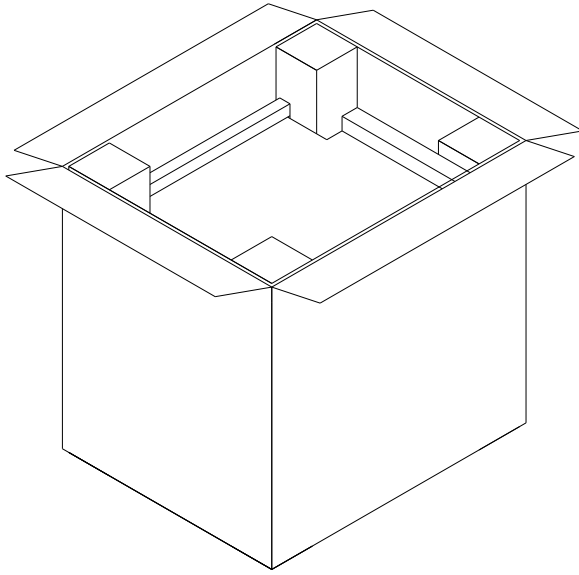
Hardware pack



4 x Gliders
(H1)

Please make sure you have all these parts before you start.

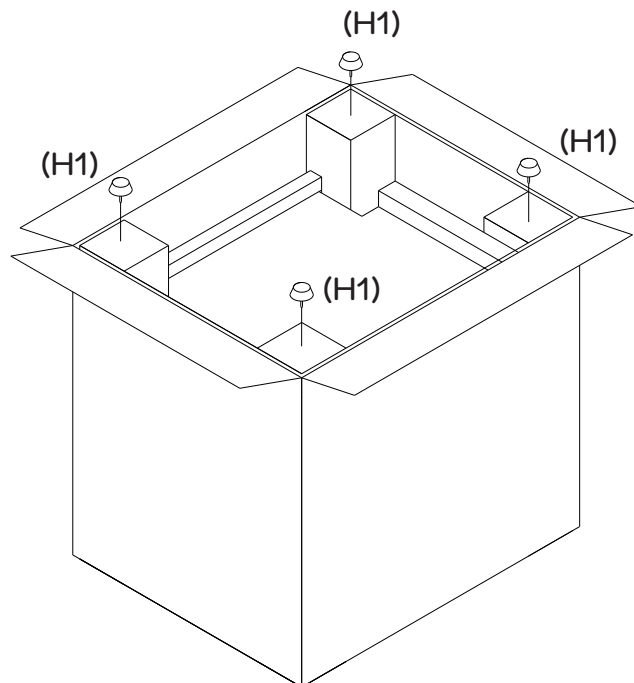
Step 1



Turn the carton upside down (Bottom up).
Open the carton and remove the pallet (P3).

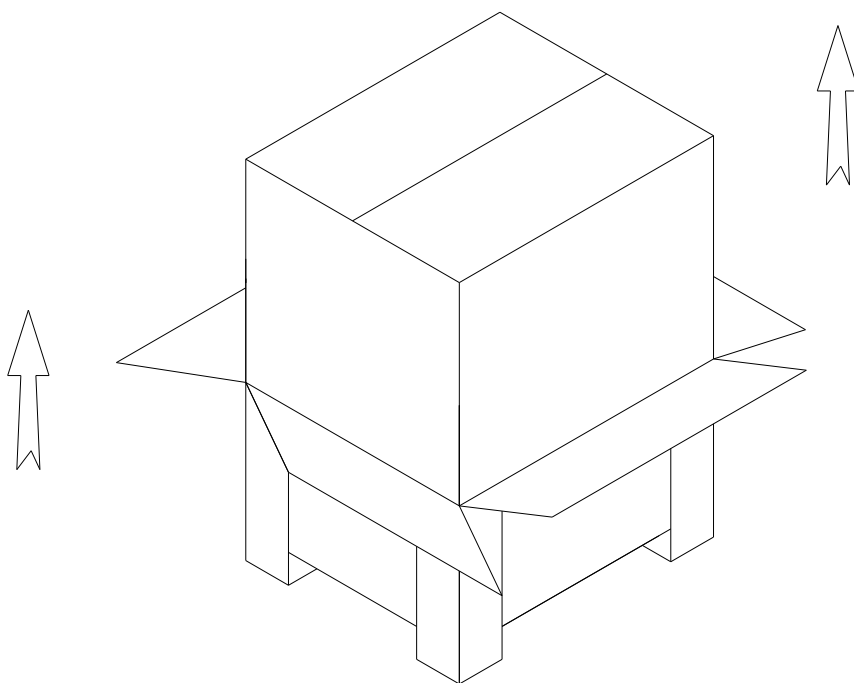
Step 2

You will need	
4 x Gliders (H1)	
Mallet	

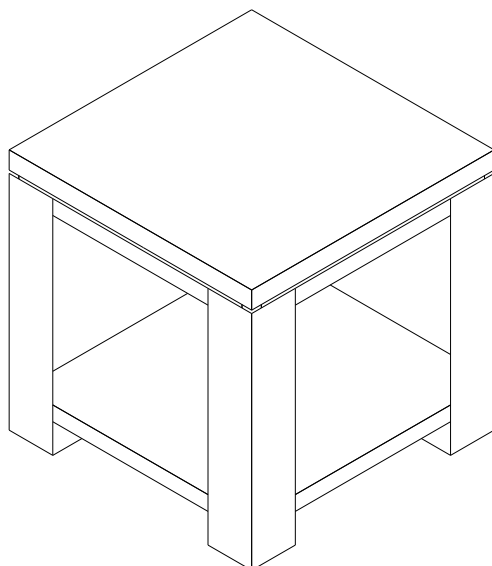


Use a mallet to nail the gliders (H1) to the legs.

Step 3



Gently turn carton over and remove carton from lamp table.



Job Complete !

In the interest of our environment
please dispose of all packing thoughtfully.