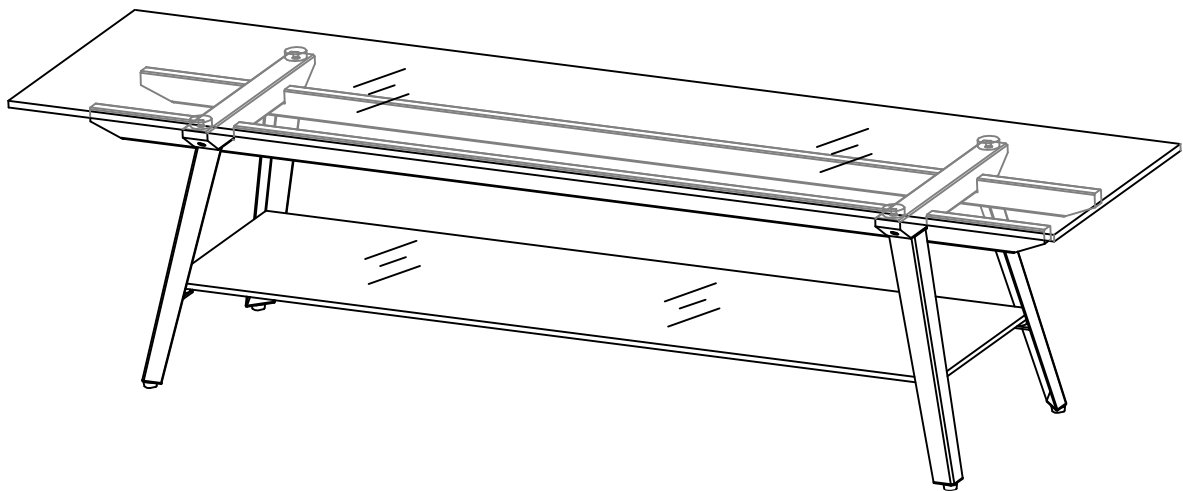




**Fantastic
Furniture**

Version 1.0



Two People



Required

Monti

Lowline Rectangle Black

fantasticfurniture.com.au



GLASS SHOULD ALWAYS BE HANDLED WITH CARE

Scratches, chips, sudden changes in temperature and hairline fractures may cause the glass to break. This glass is designed to break into small, relatively harmless pieces and not sharp fragments.

Avoid placing hot or cold items directly onto the table unless using a thick insulation material such as placemats or coasters.

Avoid dropping objects onto the glass. Do not allow hard or pointed objects to come into contact with the glass. Never use the top area as a chopping surface. Do not sit or stand on the glass surface.

Recommended Weight Capacity 40 kg

Looks like you've found your Fantastic!

We're thrilled you've chosen Fantastic Furniture
to help create a home you'll love!



Fantastic Furniture

Love it? Share it!

Fantastic buy! Share how it looks at home on Instagram for
your chance to win a \$250 Fantastic Furniture Gift Card!
@fantasticfurniture

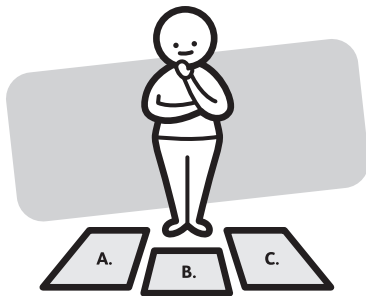
Assembly checklist



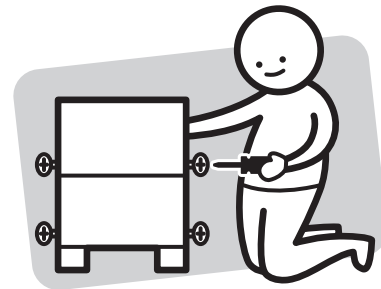
Read through the instructions carefully before you begin.



Make sure you have all the required tools. Never use power tools unless instructed.



Identify and lay out all of the components before you begin assembly.



Unless instructed, do not fully tighten screws until the item is fully assembled.

Useful information

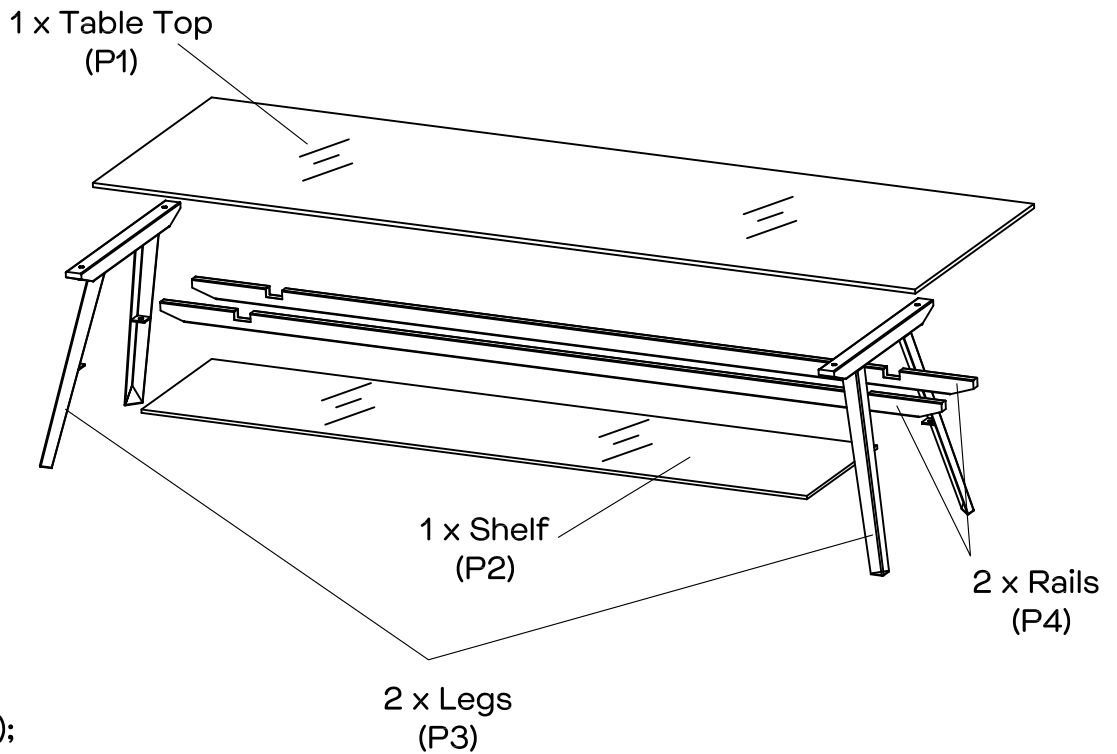
- ! Never use power tools unless specifically instructed. They can damage your components or hardware if used incorrectly.
- ! The most common mistakes made during assembly are using the wrong hardware or getting components back to front.
- ! Always use a soft surface (such as carpet or cardboard) when assembling your product to avoid scratching or damaging the surface of the product.
- ! Bulky items such as wardrobes and bunk beds should be assembled in the room they will be used in as they may not fit through a door once assembled.
- ! Never use any glue until you are certain that the parts belong together.
- ! Periodically check and re-tighten all fasteners. Check the product care label or website for product care instructions.
- ! If you are having any difficulties assembling your product, missing any hardware or components please visit our website Help Centre for further assistance.
- ! Please see page 2 for any safety requirements or weight restrictions.

What you need

to assemble the product



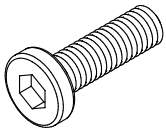
DO NOT USE



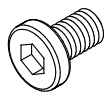
Parts list

- 1 x Table Top (P1);
- 1 x Shelf (P2);
- 2 x Legs (P3);
- 2 x Rails (P4);

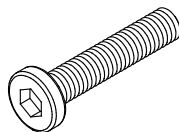
Hardware pack



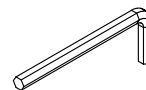
4 x Medium Bolts
(H1)



4 x Small Bolts
(H2)

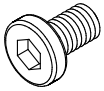



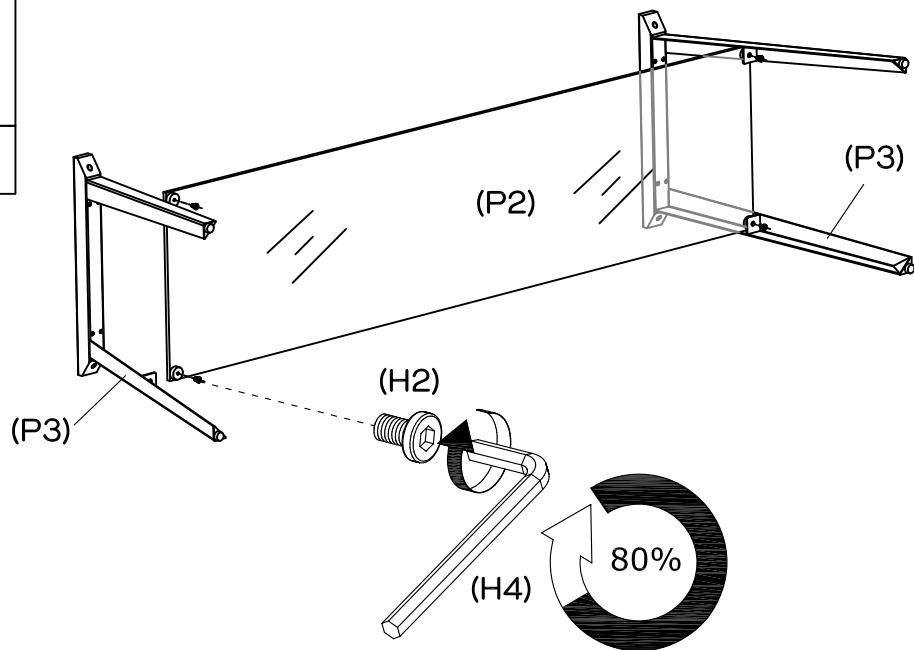
8 x Large Bolts
(H3)



1 x Allen Key
(H4)

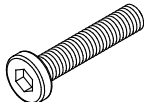

Step 1

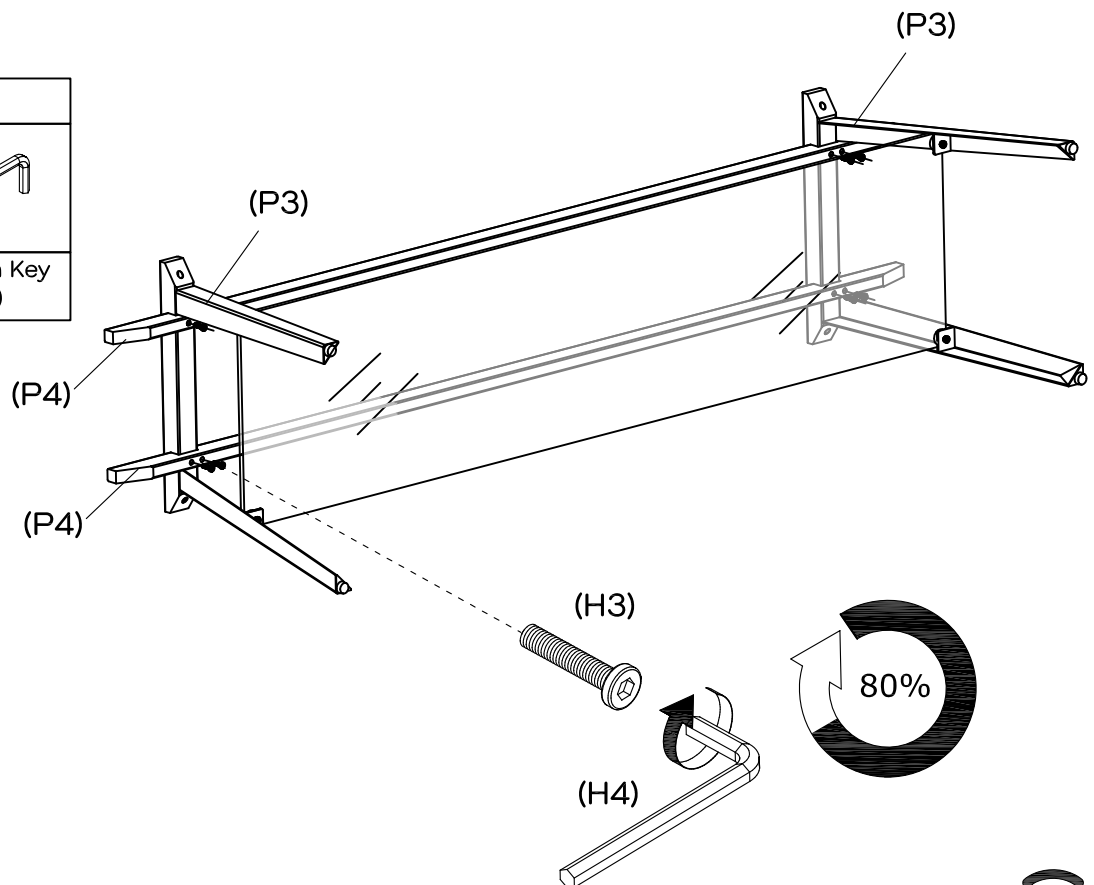
You will need	
	
4 x Small Bolts (H2)	1 x Allen Key (H4)



Attach shelf (P2) to 2 x legs (P3), using 4 x small bolts (H2) and allen key (H4).
Do not fully tighten bolts, tighten only to 80 %

Step 2

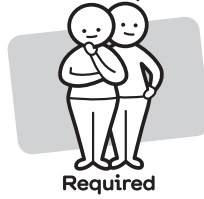
You will need	
	
8 x Large Bolts (H3)	1 x Allen Key (H4)



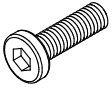

Attach 2 x rails (P4) to 2 x legs (P3), by using 8 x large bolts (H3) and allen key (H4).
Do not fully tighten bolts, tighten only to 80 %

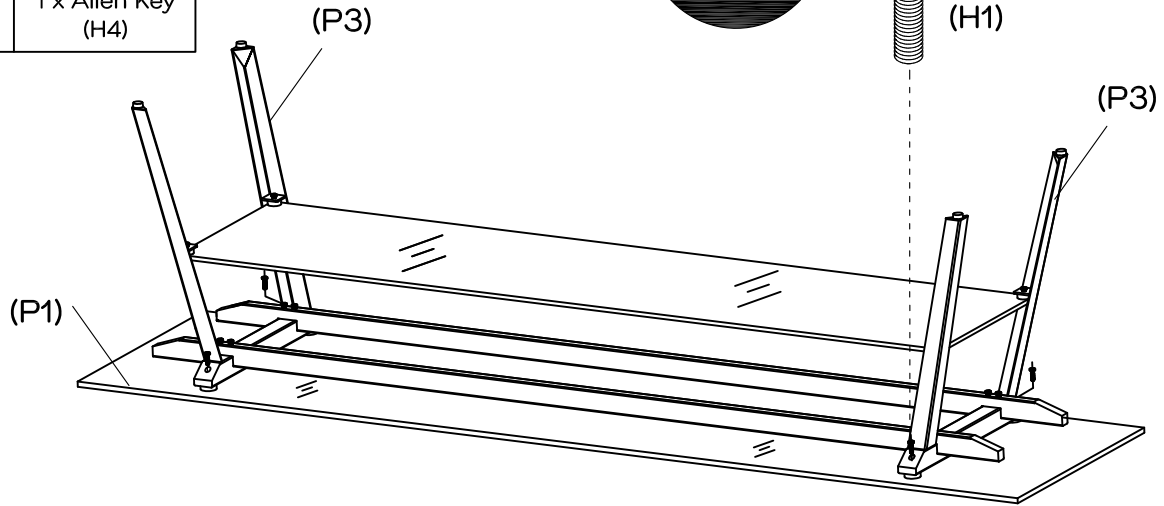
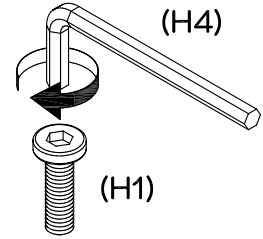
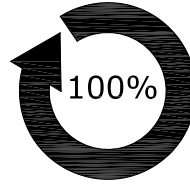
Step 3

Two People




Required

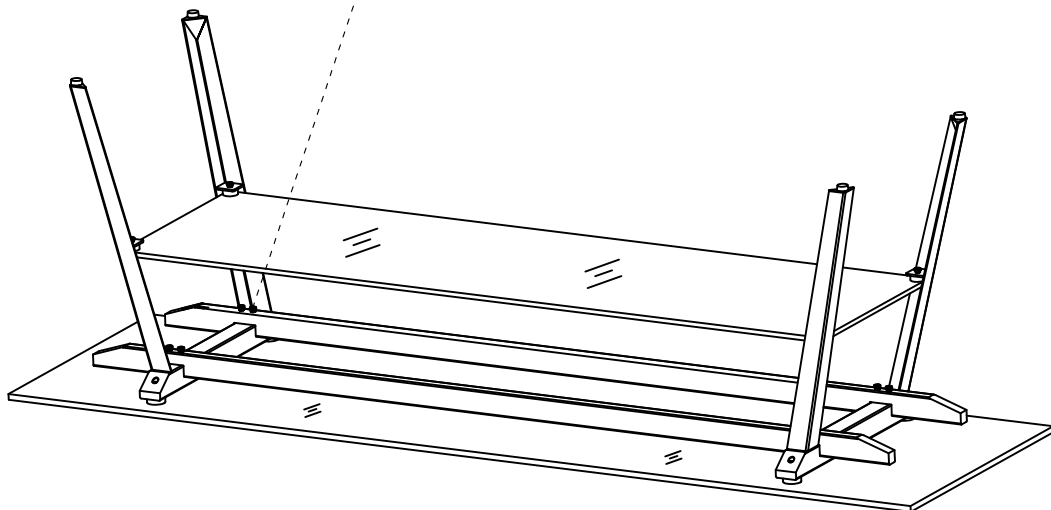
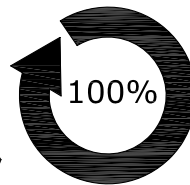
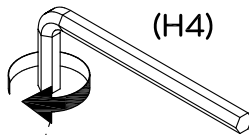
You will need	
	
4 x Medium Bolts (H1)	1 x Allen Key (H4)



Lay Table top (P1) onto a soft flat surface to avoid damaging the glass. With assistance, lay the assembled leg frame (P3, P4) onto table top (P1) and align the holes. Attach the legs (P3) to table top (P1) using 4 x medium bolts (H1), don't fully tighten bolts (H1) until all bolts (H1) are well inserted.

Step 4

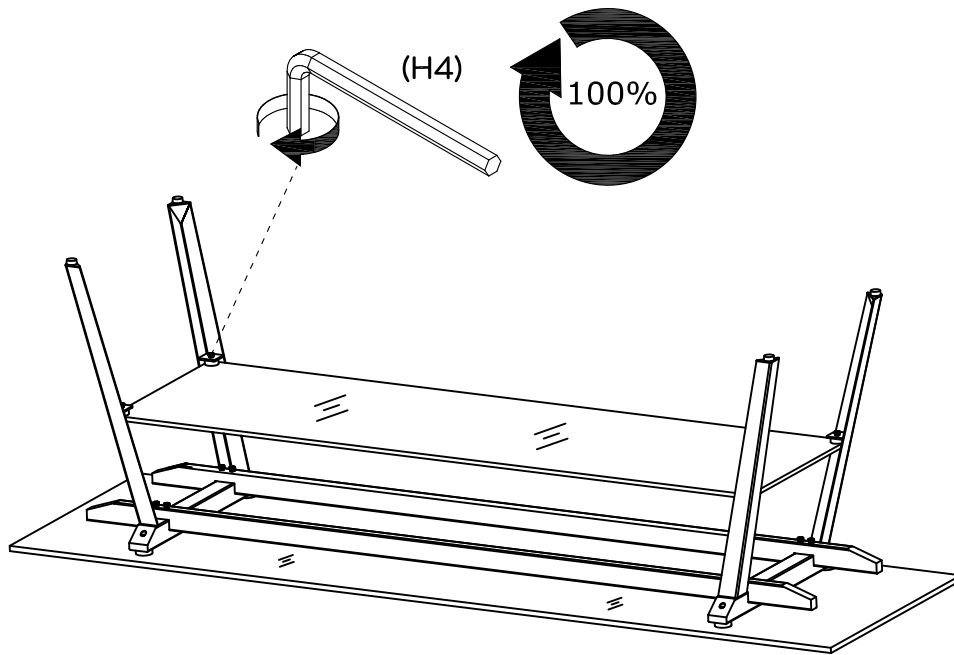
You will need

1 x Allen Key (H4)



You may now fully tighten the 8 x large bolts (H3) attaching the legs (P2) and rails (P4) using allen key (H4).

Step 5

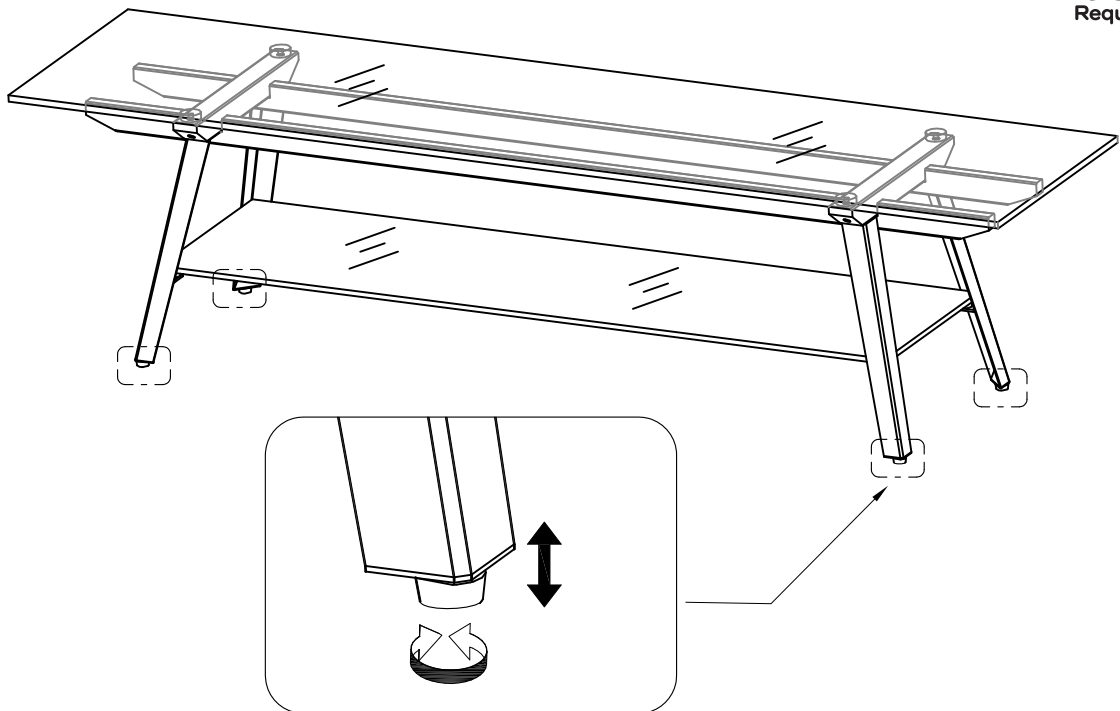
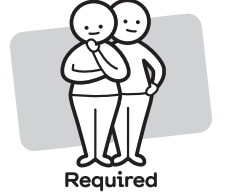
You will need
An illustration of an Allen key (hex key) with the label (H4) next to it.
1 x Allen Key (H4)



You may now fully tighten the 4 x small bolts (H2) attaching the shelf (P2) to legs (P3) using allen key (H4).

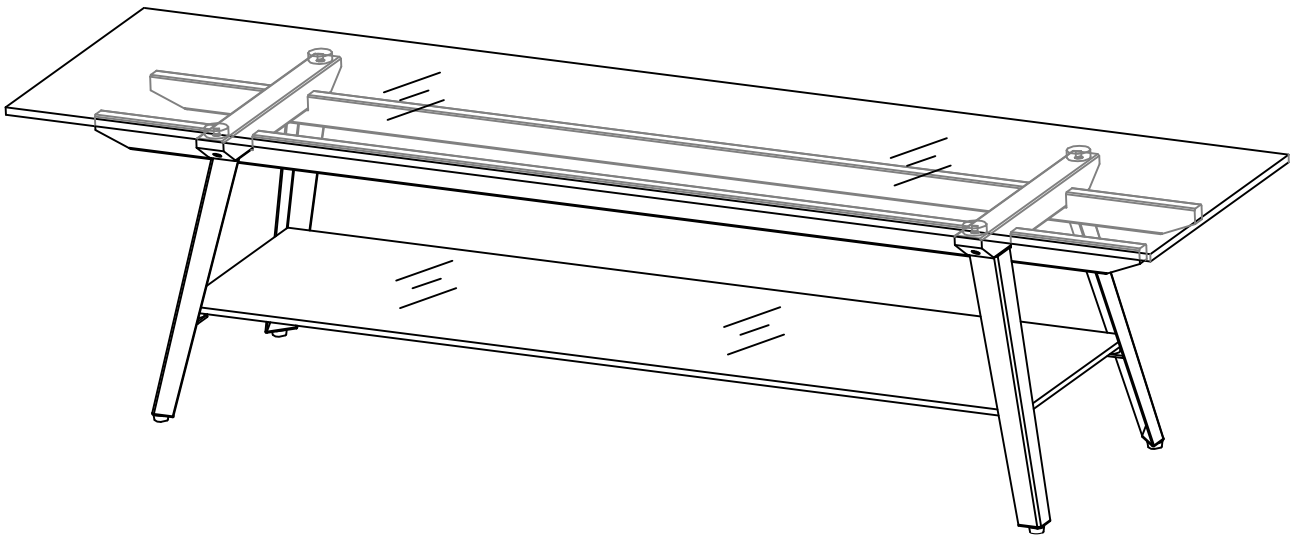
Step 6

Two People



With assistance, carefully turn over the lowline so it is upright. If required, you can extend the foot on each leg by turning it anti-clockwise, or clockwise as required, to ensure the lowline is level with the ground.

Step 7



Job Complete!

In the interest of our environment please dispose
of all packaging thoughtfully.