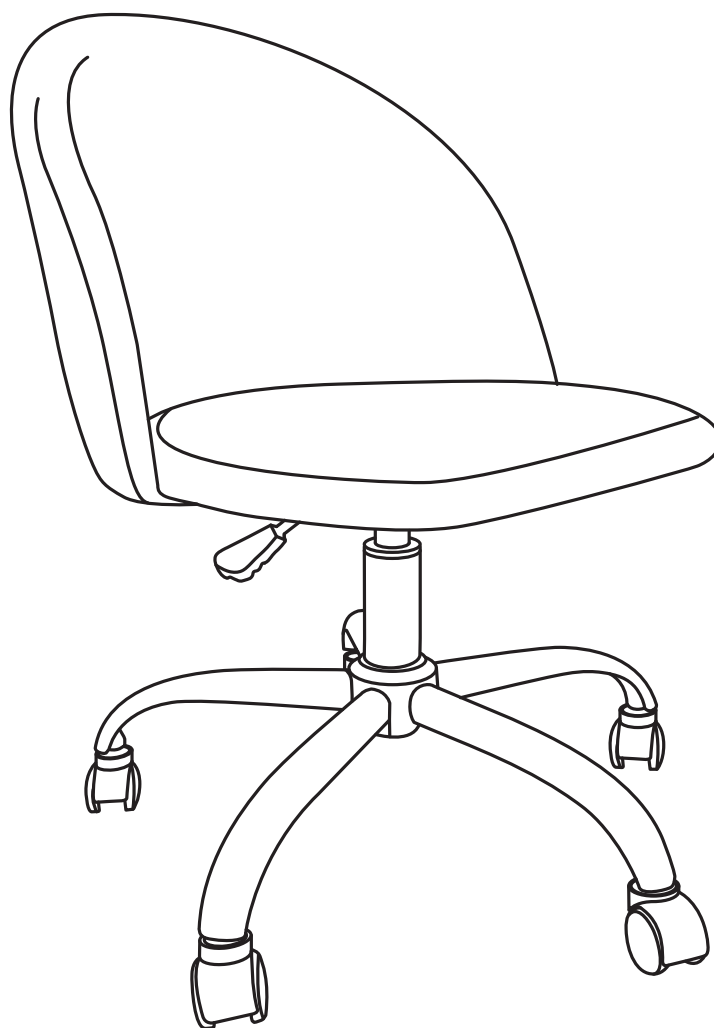




**Fantastic  
Furniture**

Version 1.0



**Onyx**

Office Chair

[fantasticfurniture.com.au](http://fantasticfurniture.com.au)

### **Caution:**

Do not stand on, or use this chair as a step ladder.

Use this product for seating one person at a time.

This product should be checked periodically to ensure all components are secure and all hardware is tight.

**Recommended weight capacity: 110kg**

## **Looks like you've found your Fantastic!**

We're thrilled you've chosen Fantastic Furniture  
to help create a home you'll love!



# **Fantastic Furniture**

### **Love it ?Share it!**

Fantastic buy! Share how it looks at home on Instagram for  
your chance to win a \$250 Fantastic Furniture Gift Card!

**@fantasticfurniture**

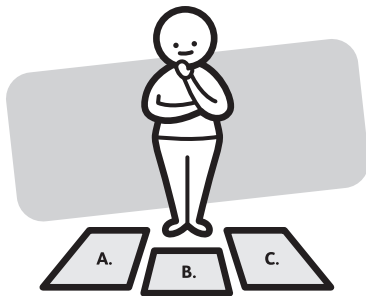
# Assembly checklist



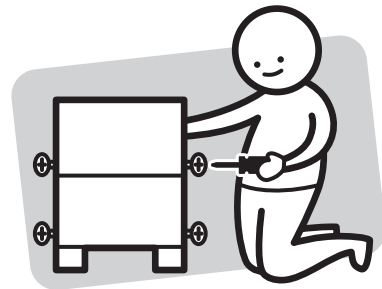
Read through the instructions carefully before you begin.



Make sure you have all the required tools. Never use power tools unless instructed.



Identify and lay out all of the components before you begin assembly.



Unless instructed, do not fully tighten screws until the item is fully assembled.

## Useful information

- ! Never use power tools unless specifically instructed. They can damage your components or hardware if used incorrectly.
- ! The most common mistakes made during assembly are using the wrong hardware or getting components back to front.
- ! Always use a soft surface (such as carpet or cardboard) when assembling your product to avoid scratching or damaging the surface of the product.
- ! Bulky items such as wardrobes and bunk beds should be assembled in the room they will be used in as they may not fit through a door once assembled.
- ! Never use any glue until you are certain that the parts belong together.
- ! Periodically check and re-tighten all fasteners. Check the product care label or website for product care instructions.
- ! If you are having any difficulties assembling your product, missing any hardware or components please visit our website Help Centre for further assistance.
- ! Please see page 2 for any safety requirements or weight restrictions.

# What you need

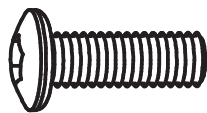
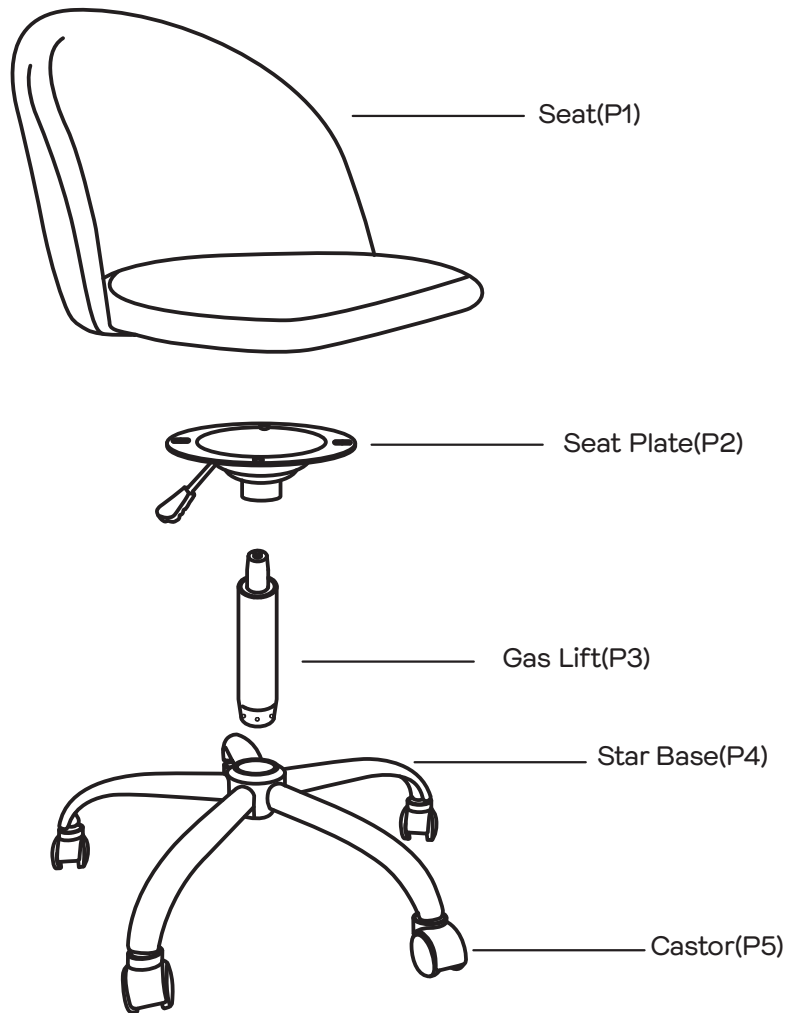
to assemble the product



DO NOT USE

## Part list

Box1:Seat(P1)X1;  
Seat Plate(P2)X1;  
Gas Lift(P3)X1;  
Star Base(P4)X1;  
Castors(P5)X5

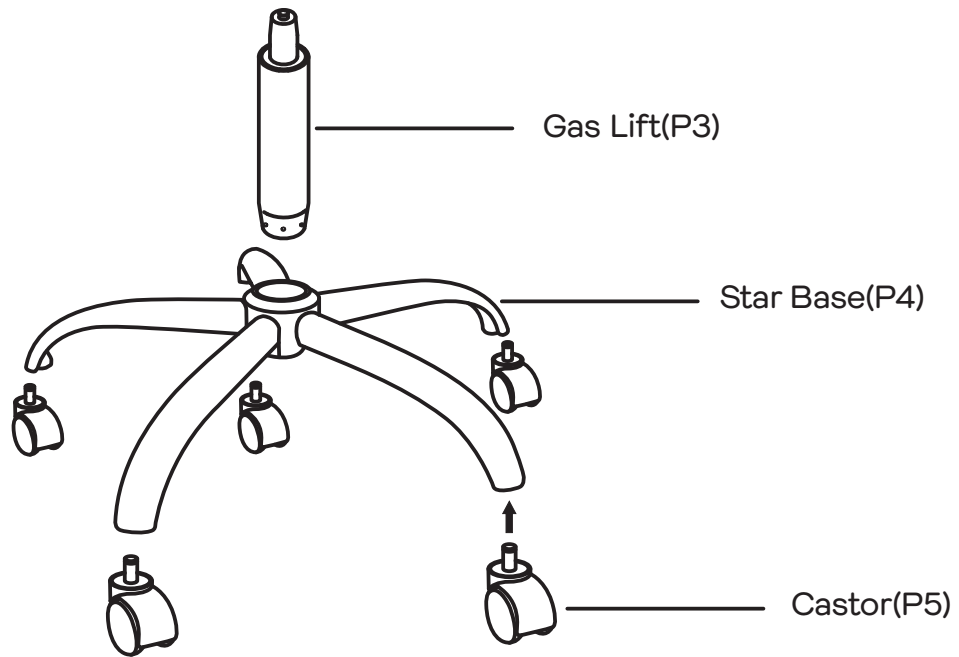


4xBolts  
(H1)



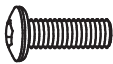

Allen Key  
(H2)

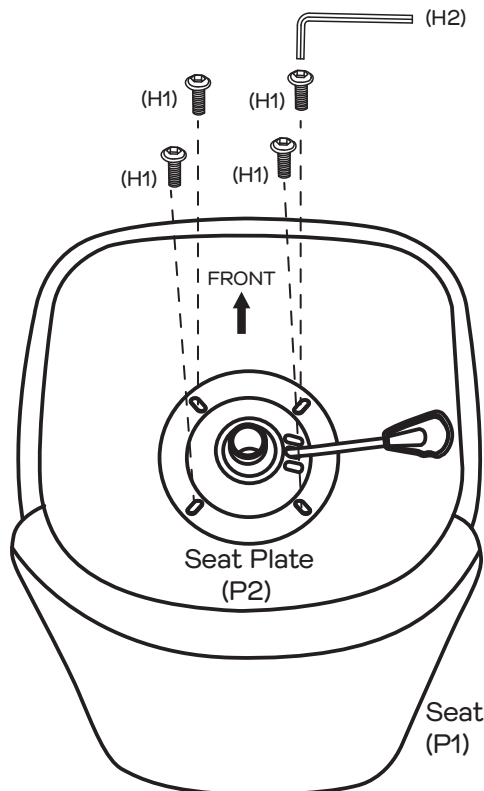
# Step 1



Insert 5 x Castors (P5) into Star Base (P4) as shown. Push down firmly on each Castor (P5x5) to ensure they are fully secured in the Star Base (P4). Insert the Gas Lift (P3) into the top of the Star Base (P4).

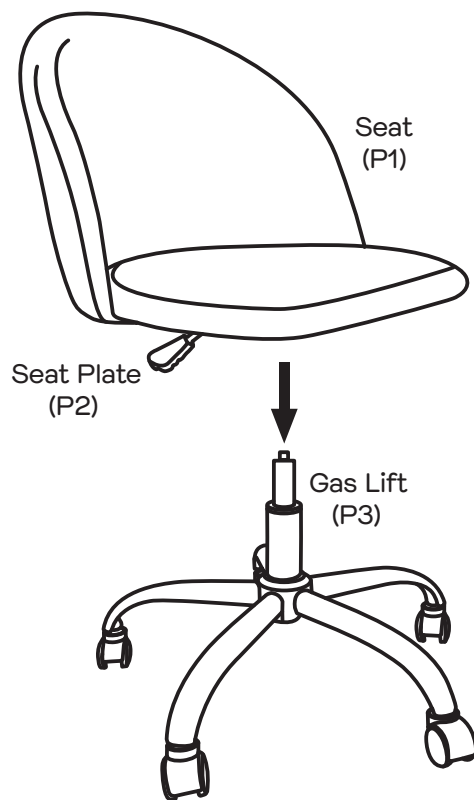
# Step 2

You will need	
	
4xBolts (H1)	Allen Key (H2)



Note the front facing orientation of the Seat Plate (P2) and align the holes on the Seat Plate (P2) with the bottom of the Seat (P1) as shown. Secure the Seat Plate (P2) to the Seat (P1) with 4 x Bolts (H1) by tightening with the Allen Key (H2).

## Step 3



Position the centre hole on the Seat Plate (P2) over the top of the Gas Lift (P3) and carefully lower the Seat (P1) onto the Gas Lift (P3). Press seat down firmly to ensure it is in place. Check the connection is secure before sitting on the chair.



## Job Complete!

In the interest of our environment please dispose of all packaging thoughtfully.