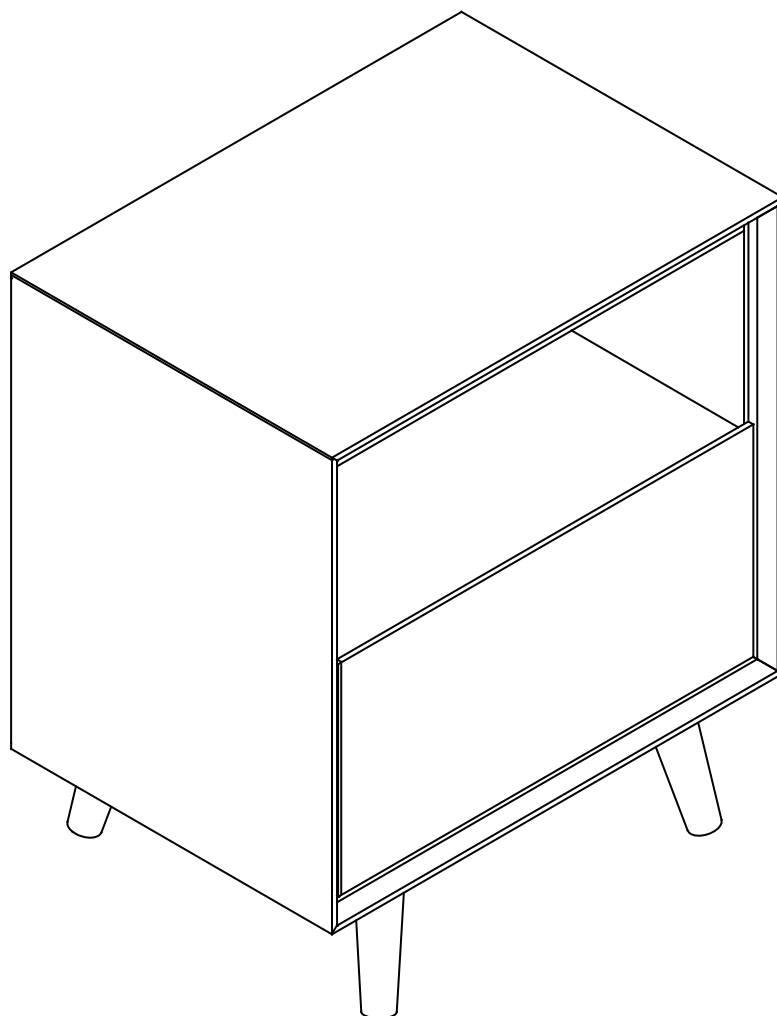




**Fantastic  
Furniture**

Version 1.0



# **STOCKHOLM**

LAMP TABLE

[fantasticfurniture.com.au](http://fantasticfurniture.com.au)

Recommended weight capacity : 40kgs.

## Looks like you've found your Fantastic!

We're thrilled you've chosen Fantastic Furniture  
to help create a home you'll love



# Fantastic Furniture

### Love it? Share it!

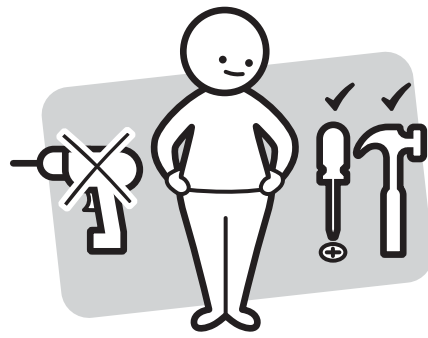
Fantastic buy! Share how it looks at home for your  
chance to win a \$250 Fantastic Furniture Gift Card!

**fantasticfurniture**

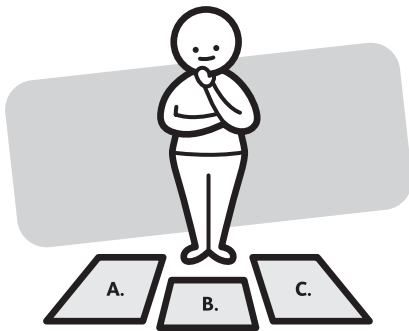
# Assembly Checklist



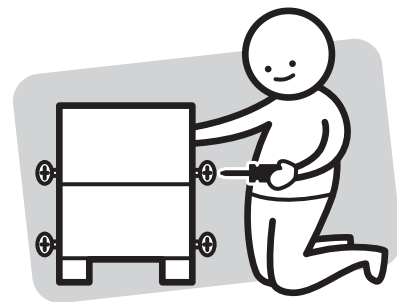
Read through the instructions carefully before you begin.



Make sure you have all the required tools. Never use power tools unless instructed.



Identify and lay out all of the components before you begin assembly.



Unless instructed, do not fully tighten screws until the item is fully assembled.

## Useful Information

- ! Never use power tools unless specifically instructed. They can damage your components or hardware if used incorrectly.
- ! The most common mistakes made during assembly are using the wrong hardware or getting components back to front.
- ! Always use a soft surface (such as carpet or cardboard) when assembling your product to avoid scratching or damaging the surface of the product.
- ! Bulky items such as wardrobes and bunk beds should be assembled in the room they will be used in as they may not fit through a door once assembled.
- ! Never use any glue until you are certain that the parts belong together.
- ! Periodically check and re-tighten all fasteners. Check the product care label or website for product care instructions.
- ! If you are having any difficulties assembling your product, missing any hardware or components please visit our website Help Centre for further assistance.
- ! Please see page 2 for any safety requirements or weight restrictions.

# What you need

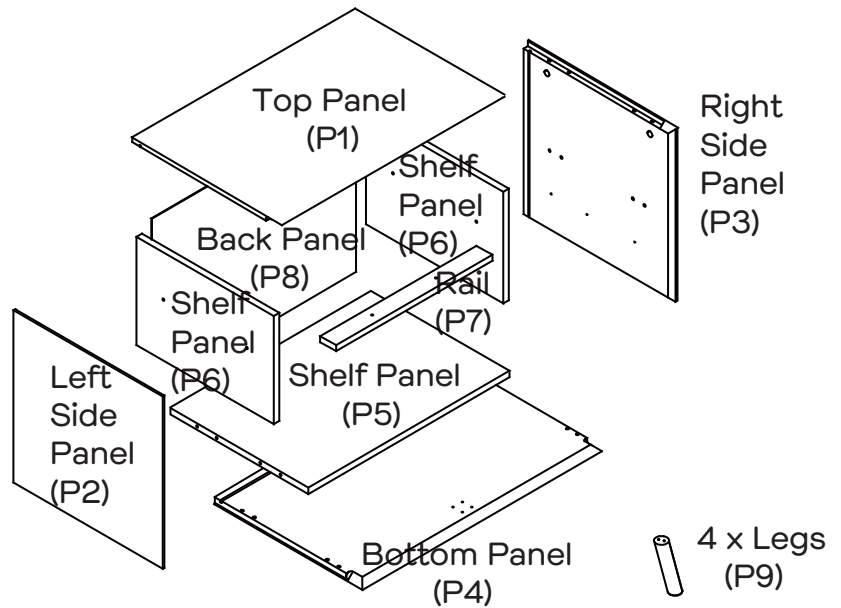
## to assemble the product



DO NOT USE

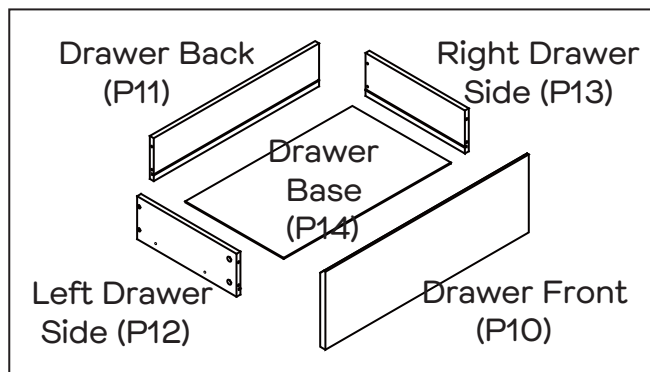


**Other tools you need:**  
Phillips head screwdriver;

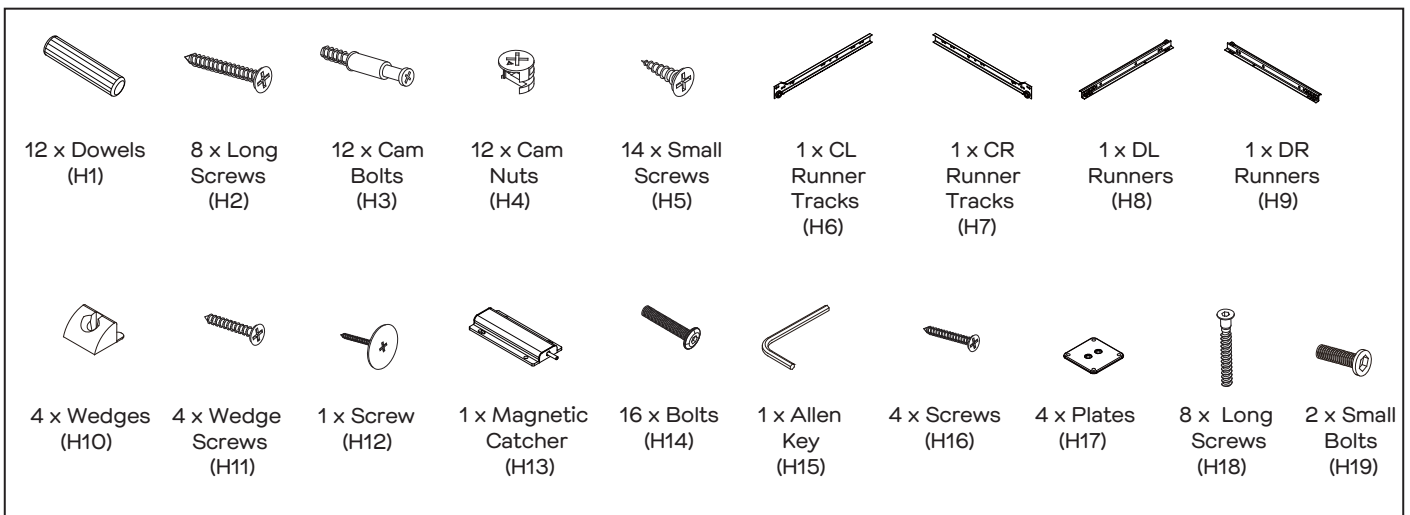


### Parts list

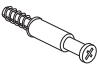

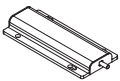

- Top Panel (P1);
- Left Side Panel (P2);
- Right Side Panel (P3);
- Bottom Panel (P4);
- Shelf Panel (P5);
- 2 x Shelf Panels (P6);
- Rail (P7);
- Back Panel (P8);
- 4 x Legs (P9);
- Drawer Front (P10);
- Drawer Back (P11);
- Left Drawer Side (P12);
- Right Drawer Side (P13);
- Drawer Base (P14);

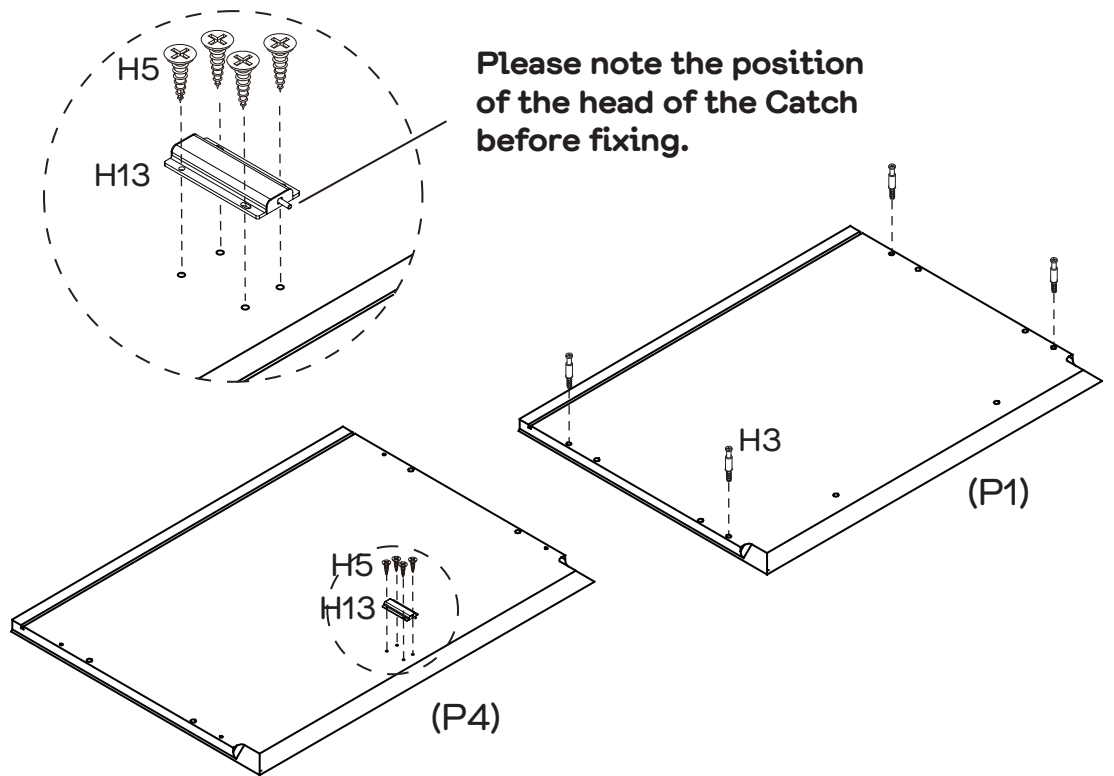


### Hardware pack



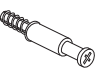

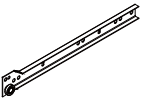
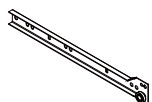

# Step 1

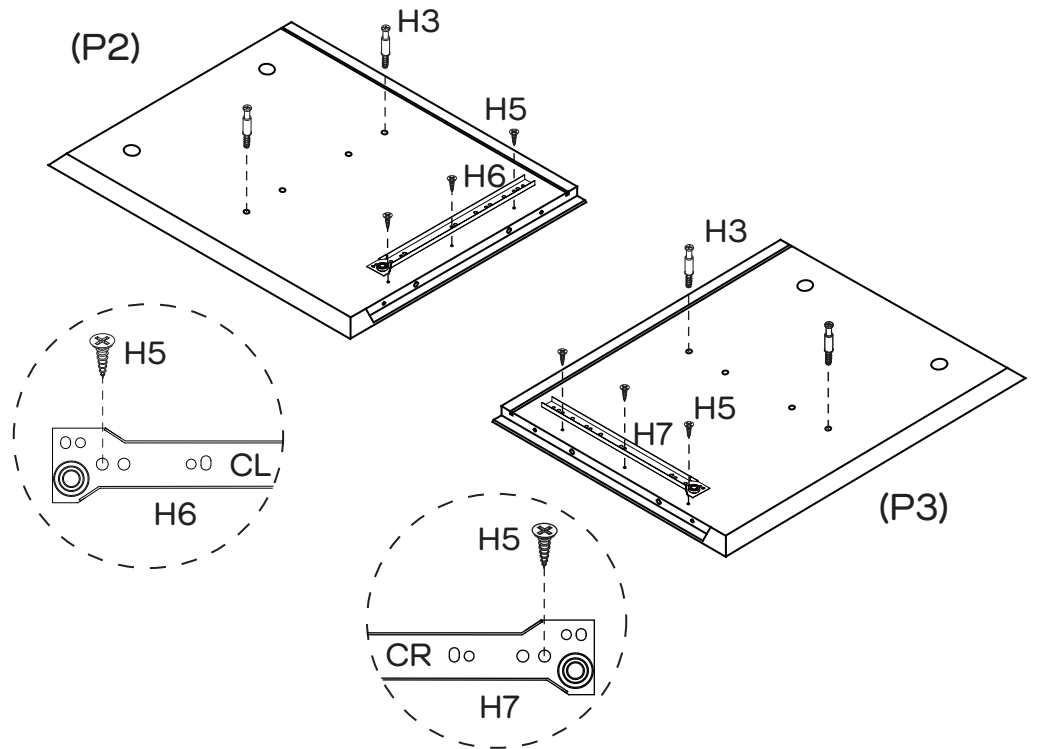
| You will need   |   |
|---|---|
|  |  |
| 4 x Cam Bolts (H3)  | Phillips Head Screwdriver   |
|  |  |
| 1 x Magnetic Catcher (H13)  | 4 x Small Screws (H5)   |



Attach 4 x Cam Bolts (H3) to Top Panel (P1) as shown. Tighten with using a Phillips Head Screwdriver. Attach 1 x Magnetic Catcher (H13) to Bottom Panel (P4) and secure with 4 x Small Screws (H5). Tighten with a Phillips Head Screwdriver.

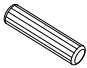


# Step 2

| You will need   |   |
|---|---|
|  |  |
| 4 x Cam Bolts (H3)  | Phillips Head Screwdriver   |
|   |  |
| 1 x CL Runner Track (H6)  | 1 x CR Runner Track (H7)  |
|  |   |
| 6 x Small Screws (H5)   |   |

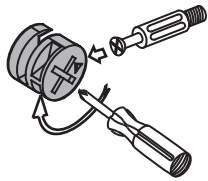


Attach 4 x Cam Bolts (H3) to Left Side Panel (P2) and Right Side Panel (P3) as shown. Tighten with a Phillips Head Screwdriver. Attach 1 x CL Runner Track (H6) to Left Side Panel (P2) with 3 x Small Screws (H5). Attach 1 x CR Runner Track (H7) to Right Side panel (P3) with 3 x Small Screws (H5). Tighten with a Phillips Head Screwdriver.

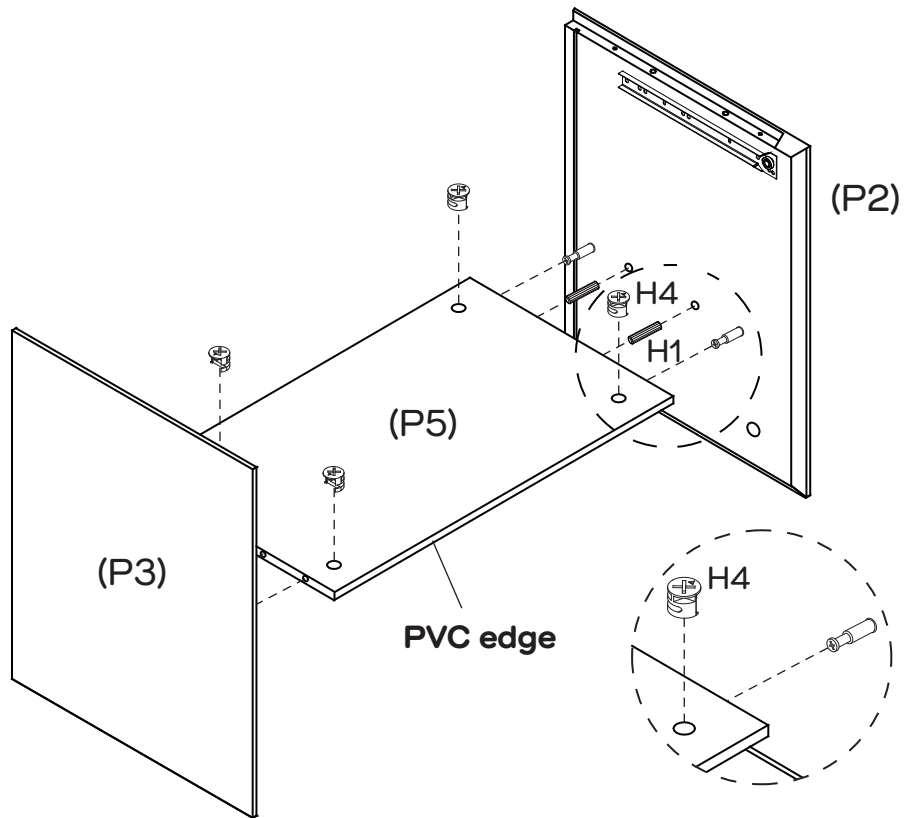
# Step 3

| You will need   |   |
|---|---|
|  |  |
| 4 x Dowels (H1)   | 4 x Cam Nuts (H4)   |
|  |   |
| Phillips Head Screwdriver   |   |

This is how a cam nut works.....



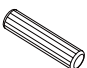


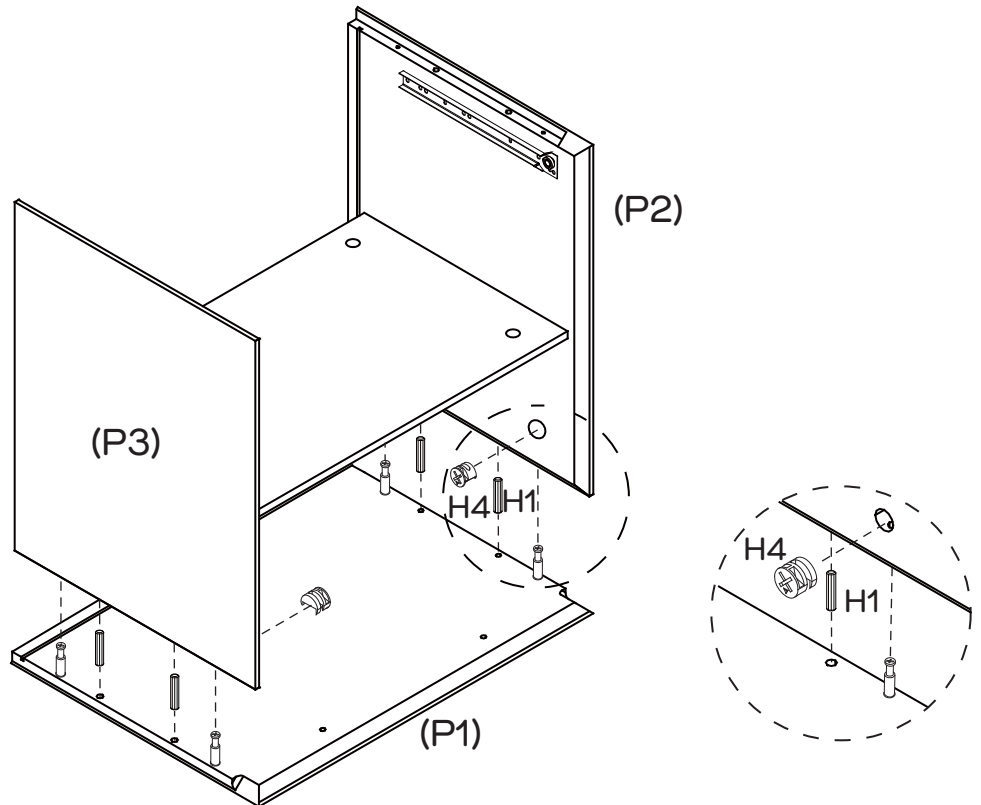
The head of the cam bolt goes into the open mouth of the cam nut. You then turn the cam nut so it tightens over the bolt.



Attach Left Side Panel (P2) and Right Side Panel (P3) to Shelf Panel (P5) with 4 x Dowels (H1) and secure with 4 x Cam Nuts (H4). Tighten with a Phillips Head Screwdriver.



# Step 4

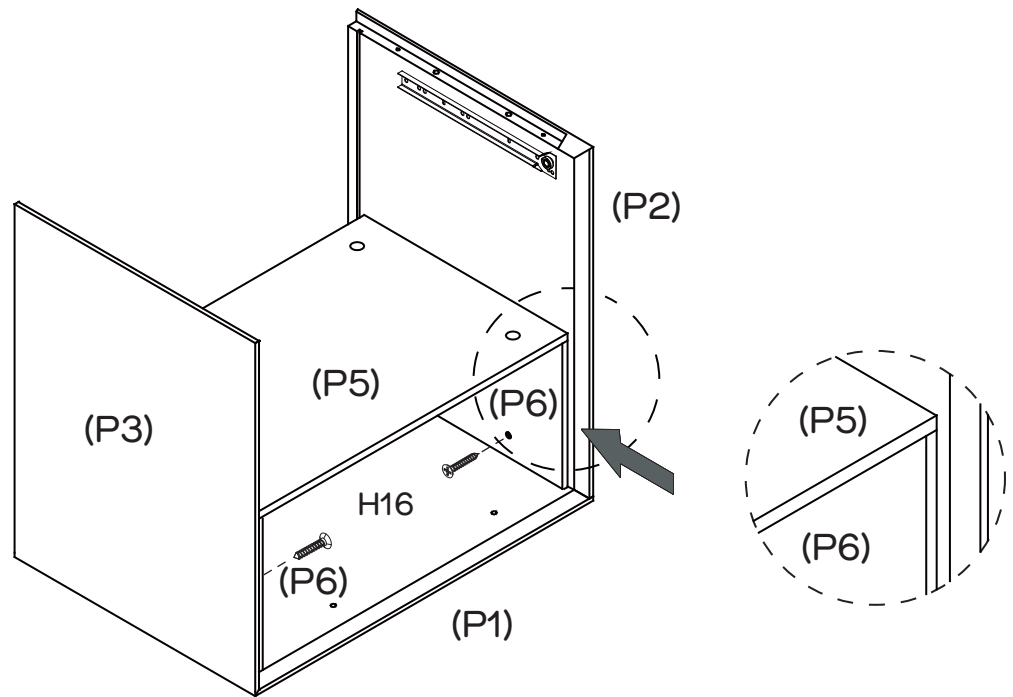
| You will need   |   |
|---|---|
|  |  |
| 4 x Cam Nuts (H4)   | Phillips Head Screwdriver   |
|  |   |
| 4 x Dowels (H1)   |   |



Attach Left Side Panel (P2) and Right Side Panel (P3) to Top Panel (P1) with 4 x Dowels (H1) and secure with 4 x Cam Nuts (H4). Tighten with a Phillips Head Screwdriver.

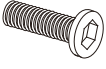

## Step 5

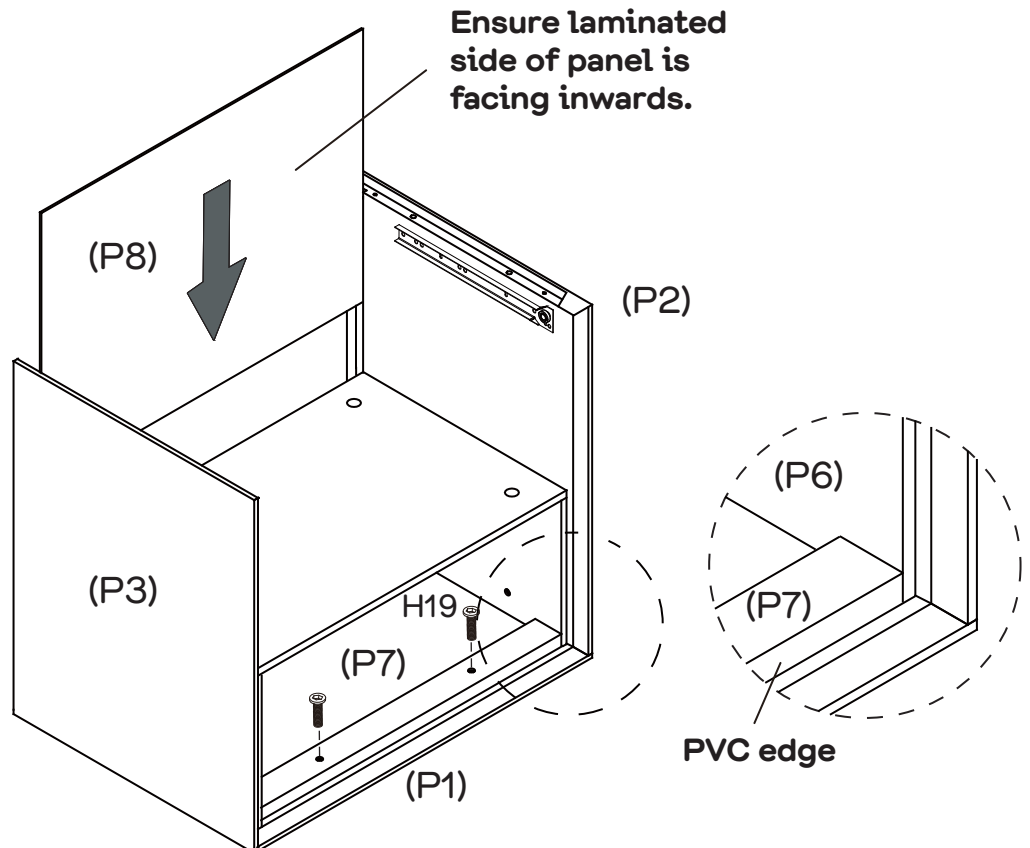
| You will need   |   |
|---|---|
|  |  |
| 4 x Screws (H16)  | Phillips Head Screwdriver   |



Press 2 x Shelf Panels (P6) against Shelf Panels (P2,P3), then slide 2 x Shelf Panels (P6) between Shelf Panels (P5) and Top Panel (P1) to form the unit as shown. Attach 2 x Shelf Panels (P6) to Left Side Panel (P2) and Right Side Panel (P3) secure with 4 x Screws (H16). Tighten with a Phillips Head Screwdriver.


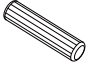

## Step 6

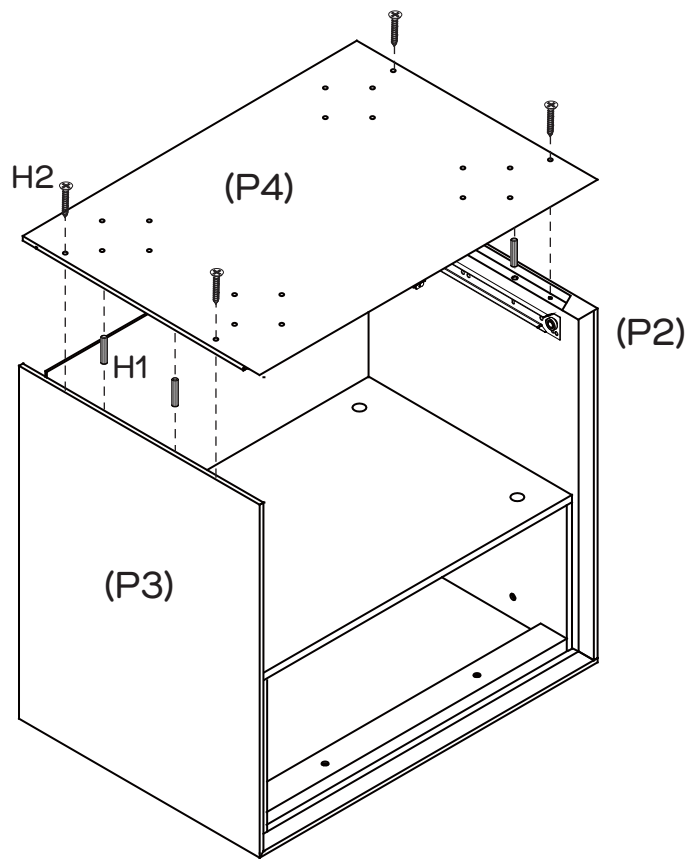
| You will need   |   |
|---|---|
|  |  |
| 2 x Small Bolts (H19)   | 1 x Allen Key (H15)   |



Slide remaining Back Panels (P8) into the grooves of Left Side Panel (P2) and Right Side Panel (P3). Press Rail (P7) against Top Panel (P1), then slide Rail (P7) between Left Side Panel (P2) and Right Side Panel (P3) to form the unit as shown. Attach Rail (P7) to Top Panel (P1) secure with 2 x Small Bolts (H19). Tighten with a Phillips Head Screwdriver.






# Step 7

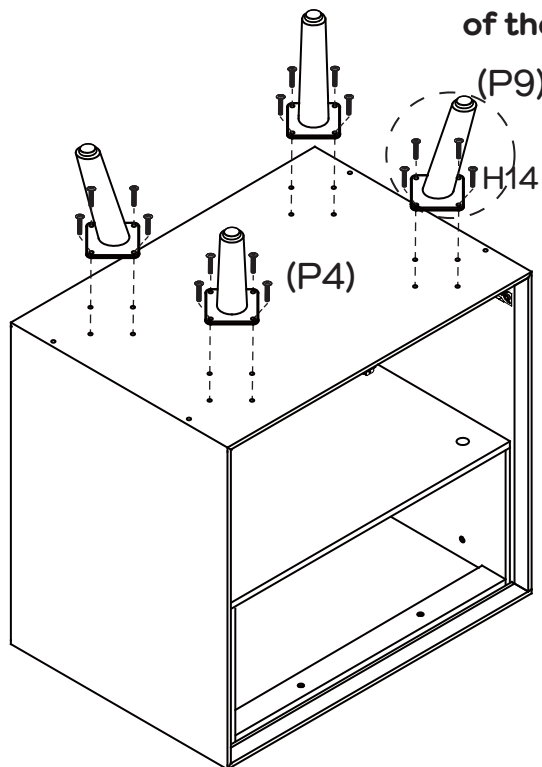
| You will need   |   |
|---|---|
|  |  |
| 4 x Long Screws (H2)  | 4 x Dowels (H1)   |
|  |   |
| Phillips Head Screwdriver   |   |



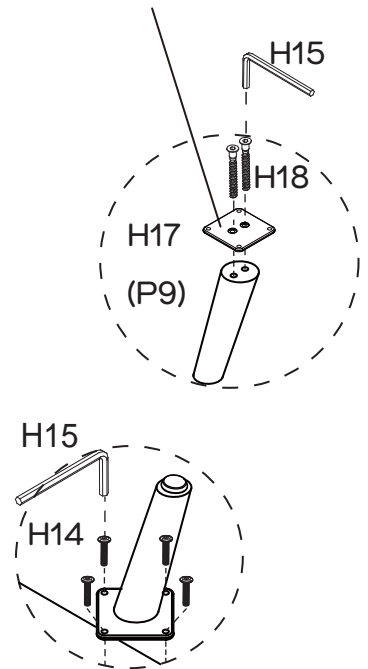
Attach Bottom Panel (P4) to Left Side Panel (P2) and Right Side Panel (P3) with 4 x Dowels (H1) and secure with 4 x Long Screws (H2). Tighten with a Phillips Head Screwdriver.

# Step 8

| You will need   |   |
|---|---|
|  |  |
| 16 x Bolts (H14)  | 1 x Allen Key (H15)   |
|  |  |
| 4 x Plates (H17)  | 8 x Long Screws (H18)   |
|  |   |
| Phillips Head Screwdriver   |   |



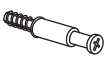


Ensure the countersunk holes on the Leg Plate are face up, so that the Screws sit flush with the top of the Leg Plate once attached.

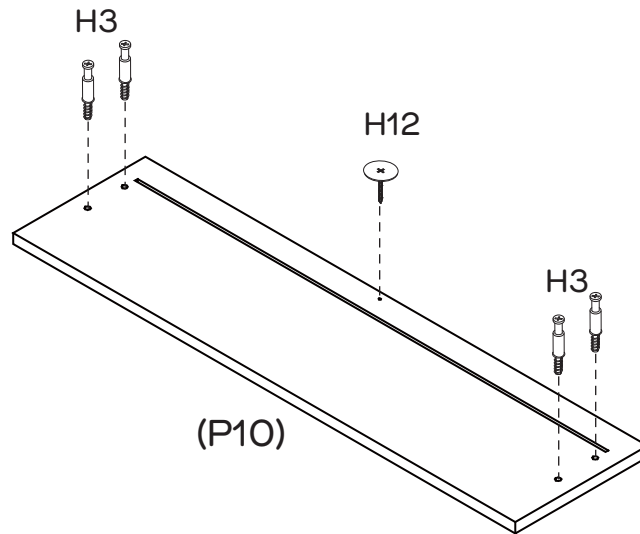


Attach 4 x Plates (H17) and 4 x Legs (P9) secure with 8 x Long Screws (H18), attach 4 x Legs (P9) to Bottom Panel (P4) and secure with 16 x Bolts (H14). Tighten with an Allen Key (H15).





## Step 9

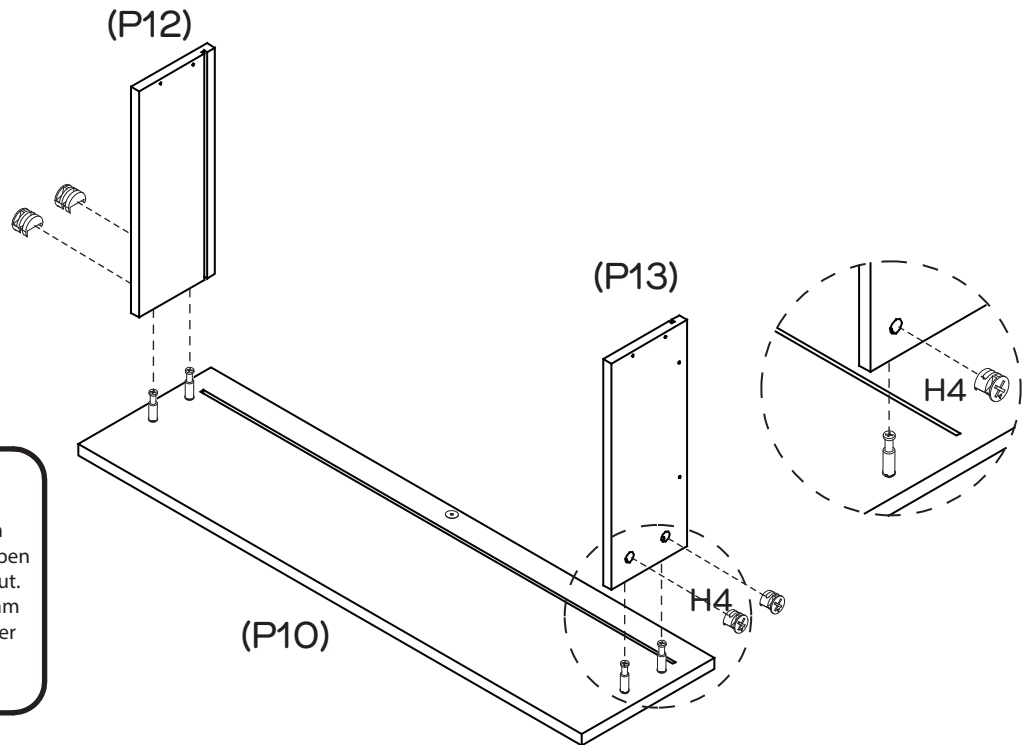
| You will need   |   |
|---|---|
|  |  |
| 4 x Cam Bolts (H3)  | Phillips Head Screwdriver   |
|  |   |
| 1 x Screw (H12)   |   |



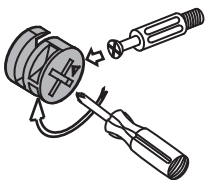
Attach 4 x Cam Bolts (H3) and 1 x Screw (H12) to Drawer Front (P10) as shown. Tighten with a Phillips Head Screwdriver.

## Step 10

| You will need   |   |
|---|---|
|  |  |
| 4 x Cam Nuts (H4)   | Phillips Head Screwdriver   |



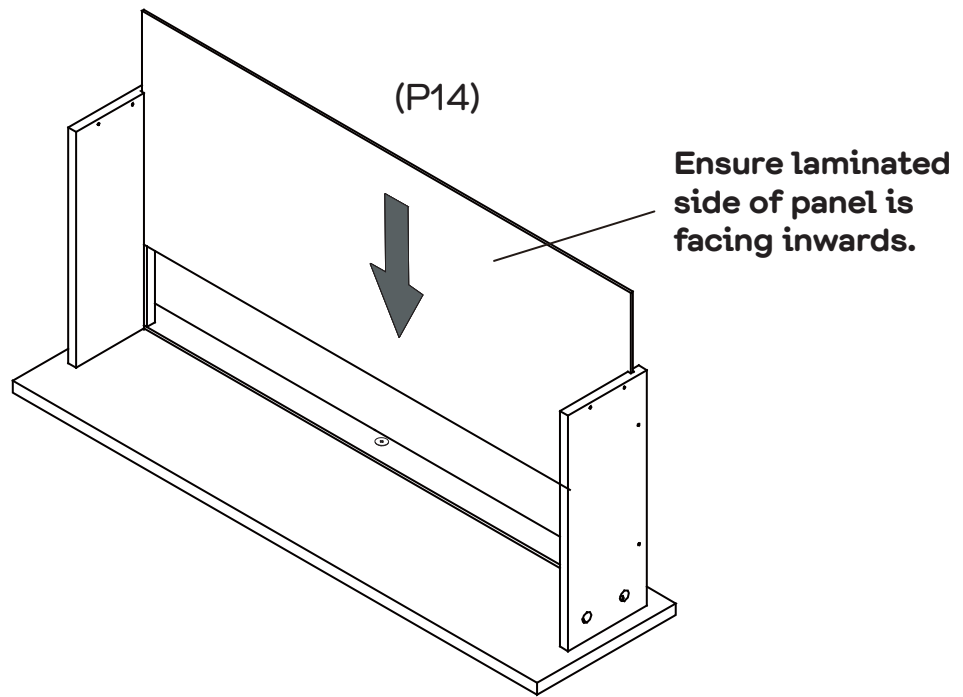
This is how a cam nut works.....



The head of the cam bolt goes into the open mouth of the cam nut. You then turn the cam nut so it tightens over the bolt.



Attach Drawer Sides (P12, P13) to Drawer Fronts (P10). Insert 4 x Cam Nuts (H4) into the holes of Drawer Sides (P12, P13). Make sure the opening on cam nuts point towards the incoming cam bolts. Tighten with a Phillips head screwdriver.

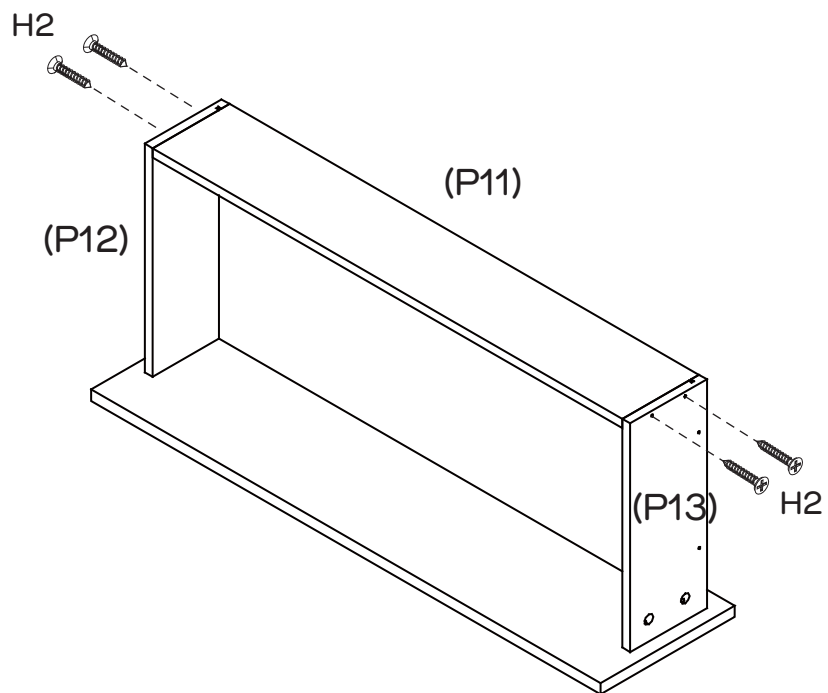
# Step 11



Slide the Drawer Base (P14) into the grooves between drawer sides as shown.

# Step 12

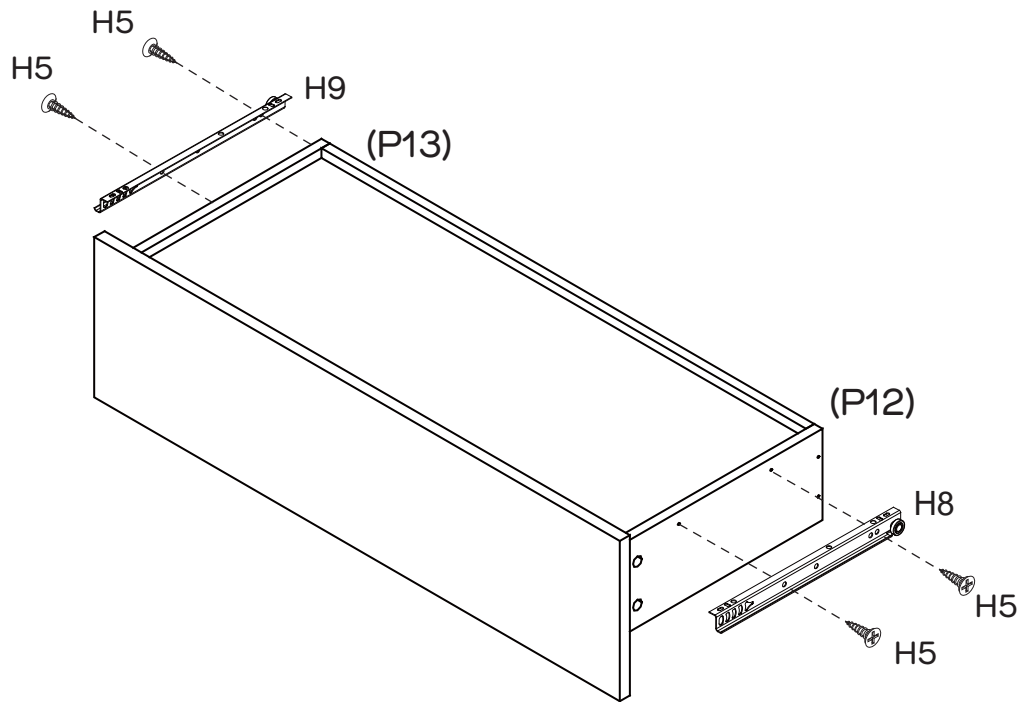
| You will need   |   |
|---|---|
|  |  |
| 4 x Long Screws (H2)  | Phillips Head Screwdriver   |



Attach Drawer Back (P11) to Drawer Sides (P12, P13) with 4 x Long Screws (H2), make sure that the groove lines up the whole way around the drawer. Tighten with a Phillips Head Screwdriver.

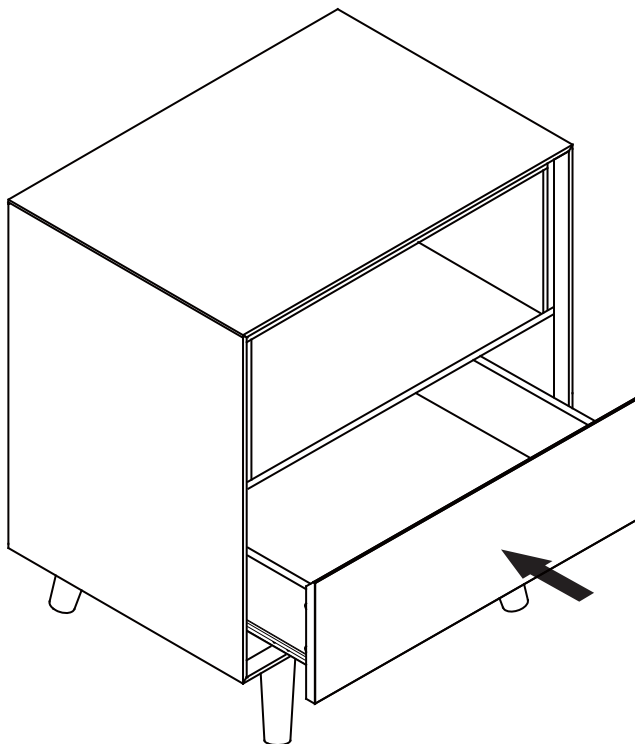
## Step 13

| You will need         |                           |
|-----------------------|---------------------------|
|                       |                           |
| 1 x DL Runner (H8)    | 1 x DR Runner (H9)        |
|                       |                           |
| 4 x Small Screws (H5) | Phillips Head Screwdriver |

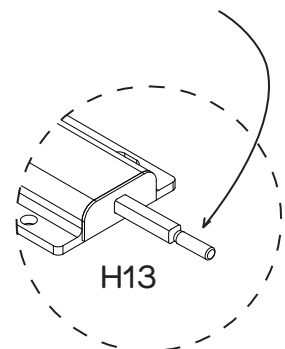


Attach 1 x DL Runner (H8) to Left Drawer Side (P12) and 1 x DR Runner (H9) to Right Drawer Side (P13) with 4 x Small Screws (H5) using a Phillips Head Screwdriver.

## Step 14

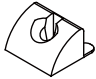
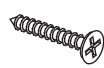



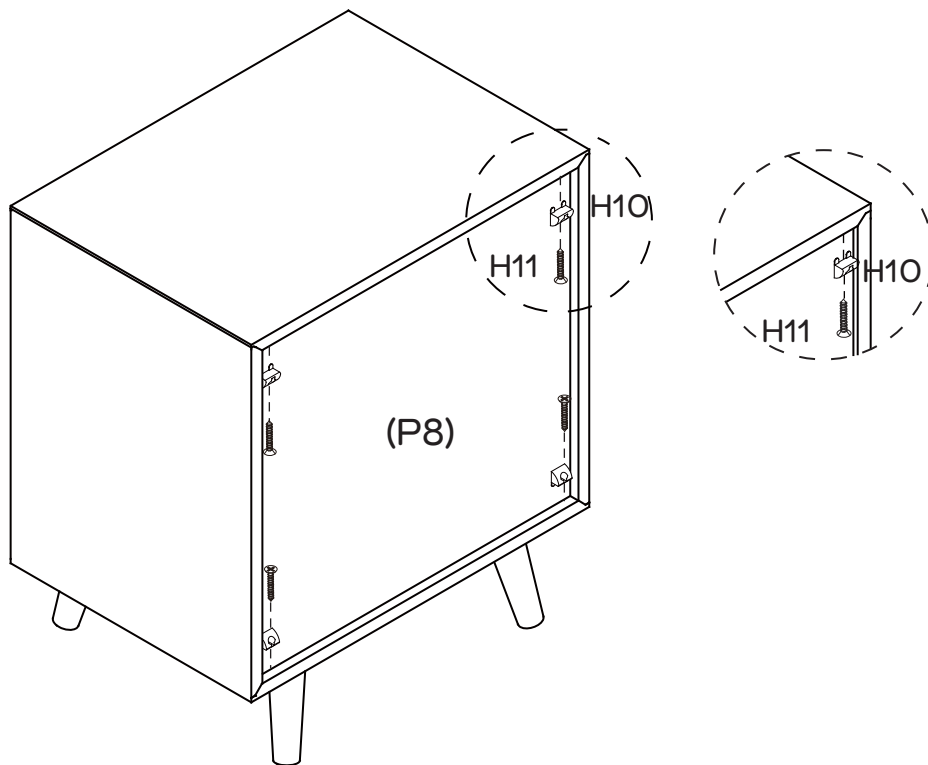
To open the drawer, firmly press the middle of the drawer front to trigger the Catch to bounce the drawer open. If the drawer does not pop open when pressed or is not sitting flush with the front of the unit, reach to the Rail and adjust the head of the Catch by gently turning left or right to reach the right resistance.



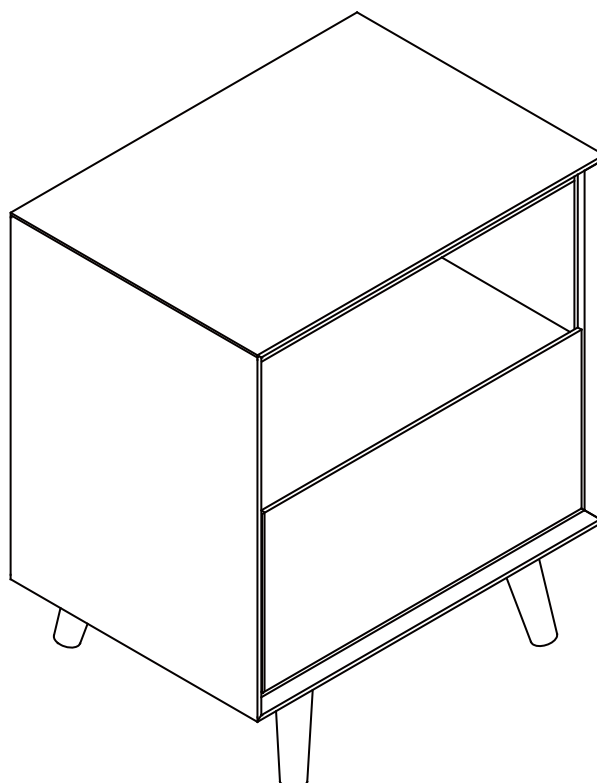
Insert the assembled drawer into the corresponding compartment as shown. Ensure the drawer slide easily along the rails.

# Step 15

| You will need   |   |
|---|---|
|  |  |
| 4 x Wedges (H10)  | 4 x Wedge Screws (H11)  |
|  |   |
| Phillips Head Screwdriver   |   |



Secure Back Panel (P8) in place with 4 x Wedges (H10) using 4 x Wedge Screws (H11). Tighten with a Phillips Head Screwdriver.



## Job Complete!

In the interest of our environment please dispose of all packaging thoughtfully.