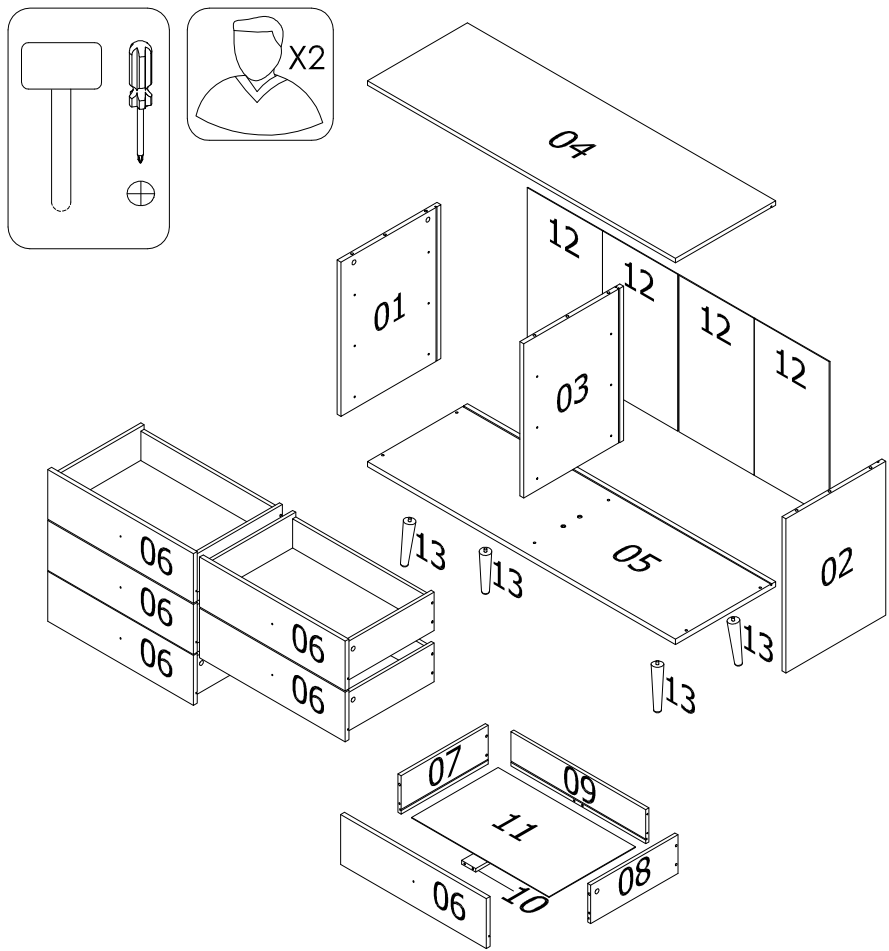


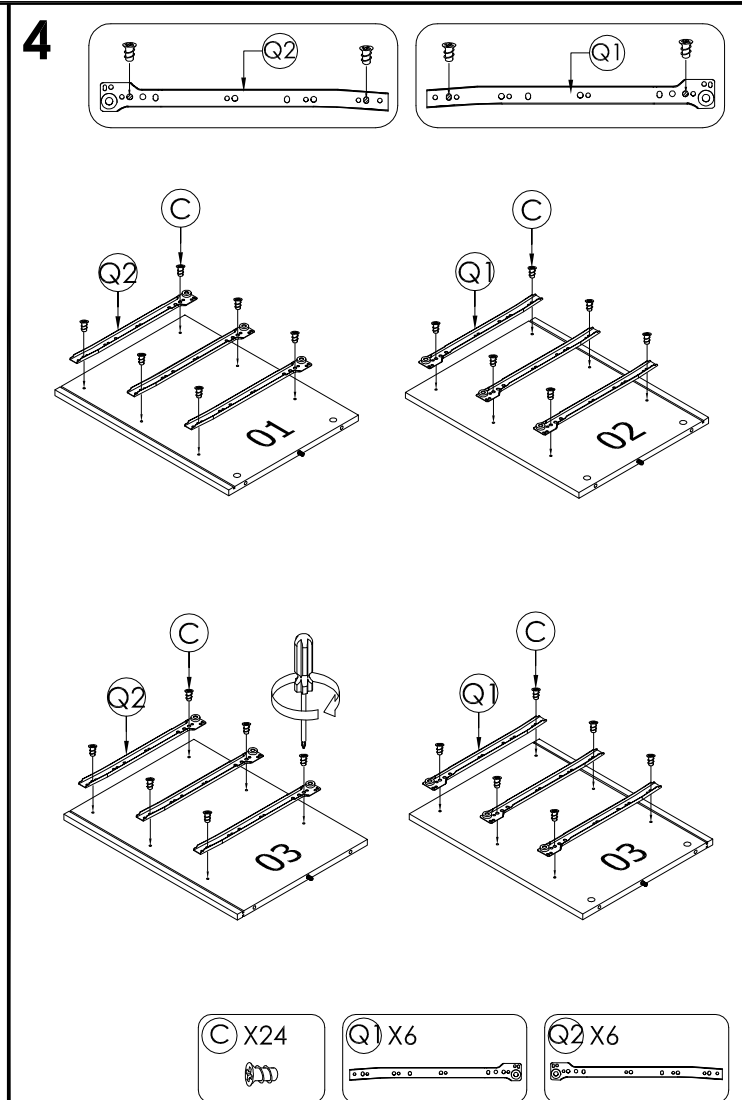
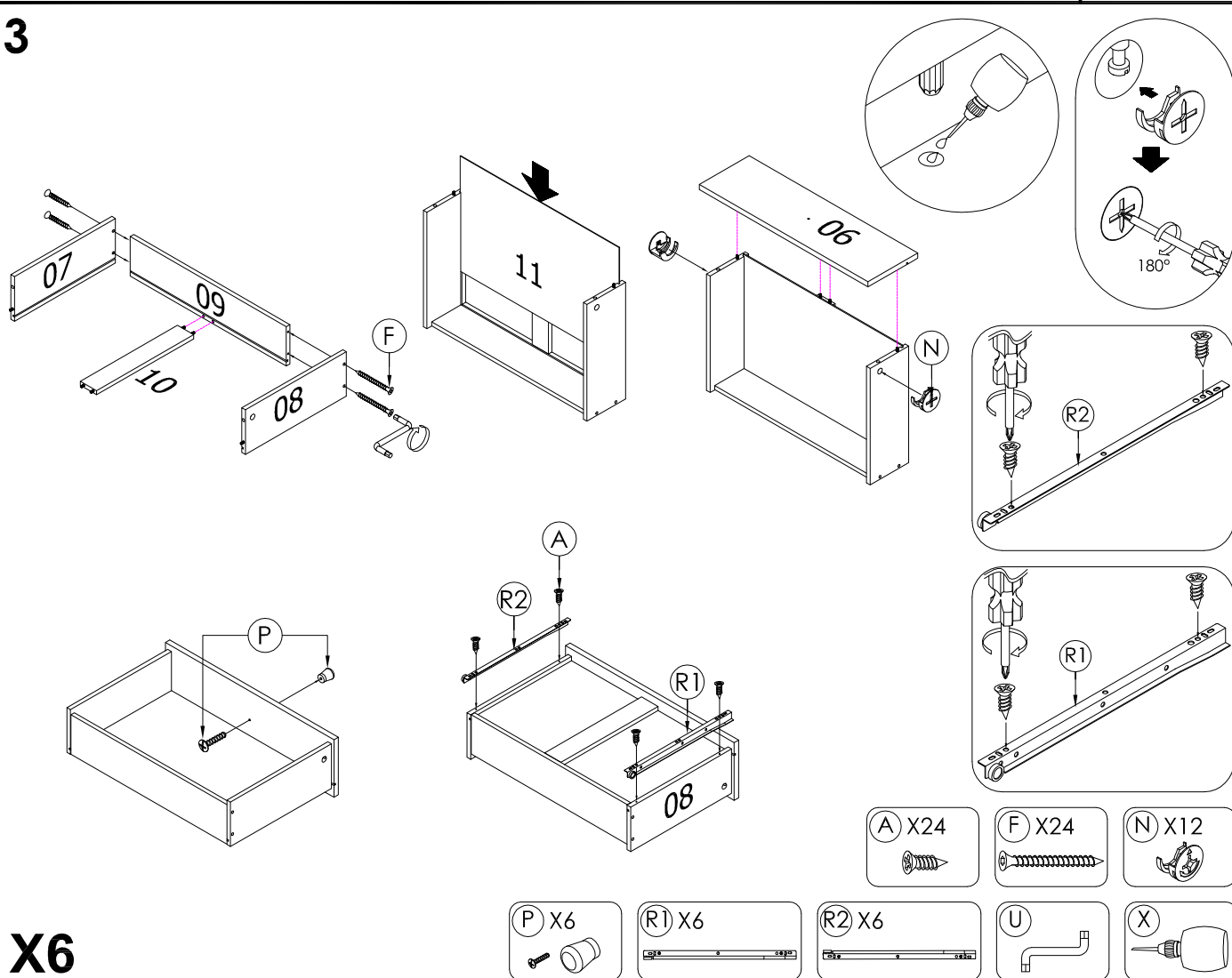
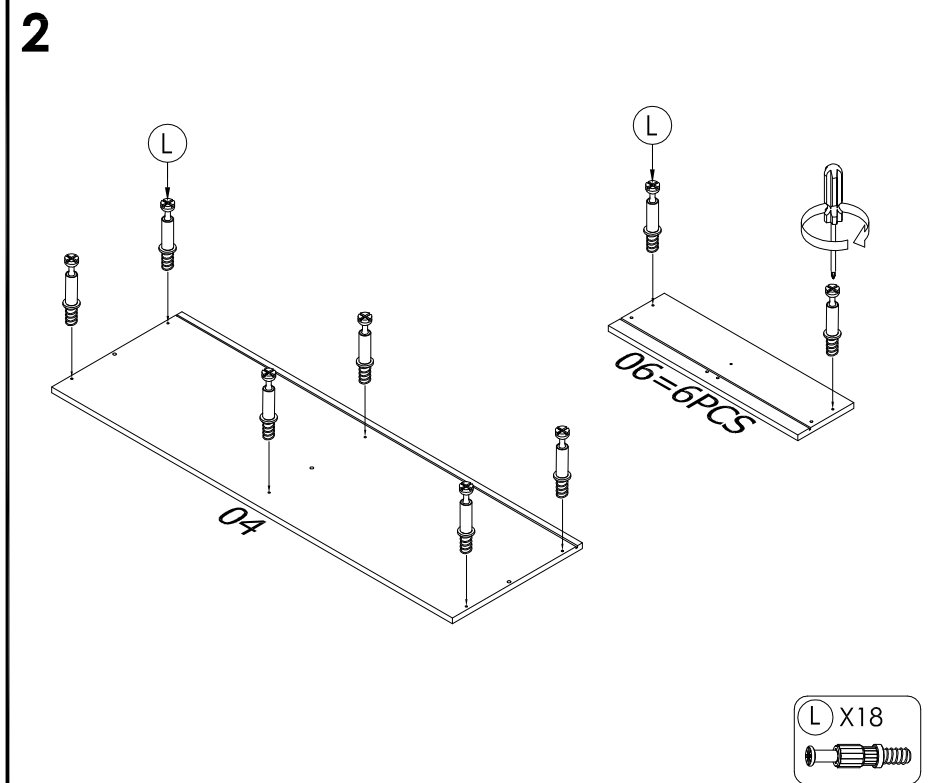
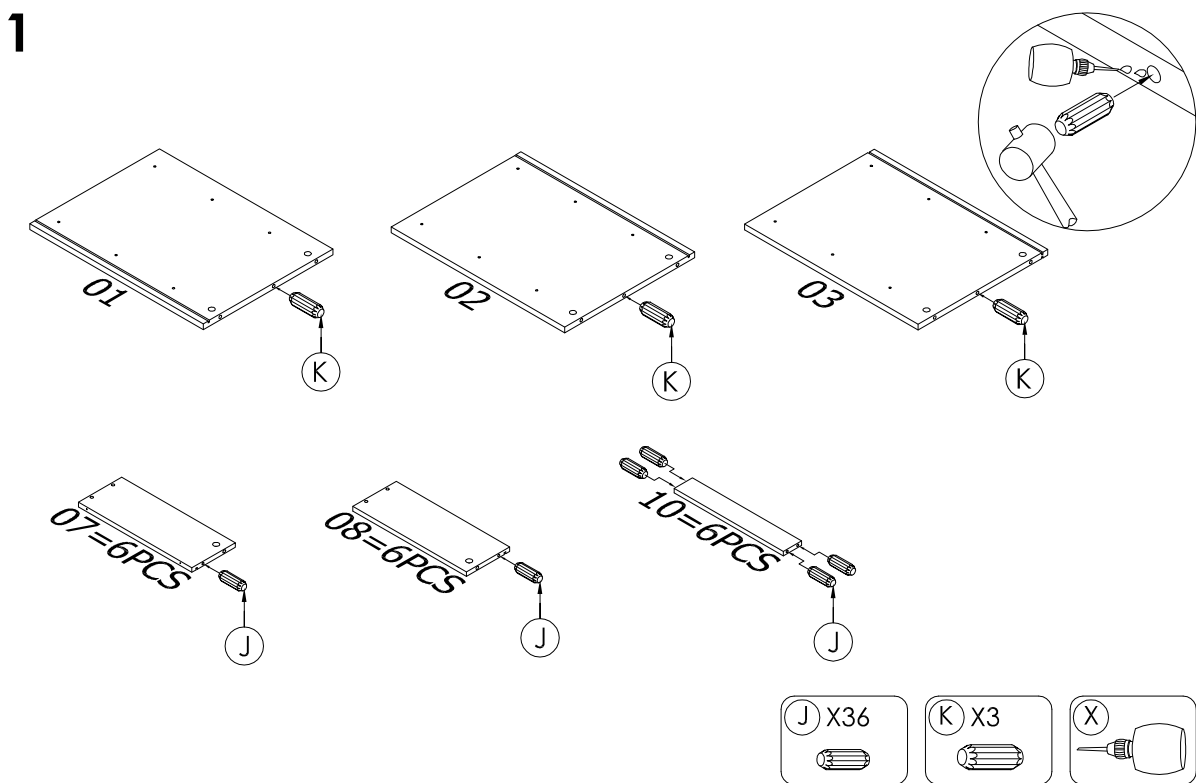
ASSEMBLING GUIDE MODEL 5320-9-02

**WARNING! NOT SUITABLE FOR CHILDREN
UNDER 3 YEARS. CONTAINS SMALL PARTS.**

CAUTION
MATERIAL USED - LAMINATED MEDIUM DENSITY FIBERBOARD AND PARTICLEBOARD FRAME * TO CLEAN
USING SOFT, DRY, CLOTH * DO NOT USE DETERGENT OR CHEMICALS * AVOID CONTACT WITH WATER AND
DIRECT SUNLIGHT * TO BE ASSEMBLED ON A SOFT, DRY, CLEAN AND SMOOTH SURFACE * DO NOT USE
POWER DRILLS TO ASSEMBLE AS THIS MAY CAUSE DAMAGE TO THE PRODUCT IF OVER-TIGHTENED



A		CSK SCREW M3.5 X 12MM	24	N		9116018 CAM 15/12	12
B		CSK SCREW M3.5 X 15MM	20	P		9933 WOODEN HDL KNOB (D20, H22) NATURAL= (1PC) WITH SCREW (MC4 X 25MM)= (1PC)	6 SETS
C		EURO SCREW M6 X 9MM	24	Q1		METAL DRAWER SLIDE CR (350MM)	6
D		EURO SCREW M6 X 13MM	12	Q2		METAL DRAWER SLIDE CL (350MM)	6
E		TH CB SCREW M4 X 16MM (RB)	2	R1		METAL DRAWER SLIDE DR (350MM)	6
F		JCBC(W) SCREW M6 X 40MM	30	R2		METAL DRAWER SLIDE DL (350MM)	6
G		JCBC SCREW M6 X 15MM	2	S		T SHAPE METAL LEG WITH ADJUSTABLE LEG (Ø25 X 145MM)	1
H		JCN NUT Ø6 X L13MM	2	T		METAL 10° BRACKET (1.5 X 82 X 82MM)	4
J		WOOD DOWEL (Ø6 X 20MM)	36	U		ALLEN KEY M4	1
K		WOOD DOWEL (Ø8 X 25MM)	3	V		BACKPLY STOPPER	20
L		9047975 BOLT DOWEL DU319 20X5MM	18	W		PP STRAP 12 X 150 X 1.2MM BLK 2 HOLE WITH EYELET	2
M		9064684 CAM 15/15	6	X		GLUE	3



ASSEMBLING GUIDE MODEL 5320-9-02

**WARNING! NOT SUITABLE FOR CHILDREN
UNDER 3 YEARS. CONTAINS SMALL PARTS.**

CAUTION
MATERIAL USED - LAMINATED MEDIUM DENSITY FIBERBOARD AND PARTICLEBOARD FRAME * TO CLEAN USING SOFT, DRY, CLOTH * DO NOT USE DETERGENT OR CHEMICALS * AVOID CONTACT WITH WATER AND DIRECT SUNLIGHT * TO BE ASSEMBLED ON A SOFT, DRY, CLEAN AND SMOOTH SURFACE * DO NOT USE POWER DRILLS TO ASSEMBLE AS THIS MAY CAUSE DAMAGE TO THE PRODUCT IF OVER-TIGHTENED

