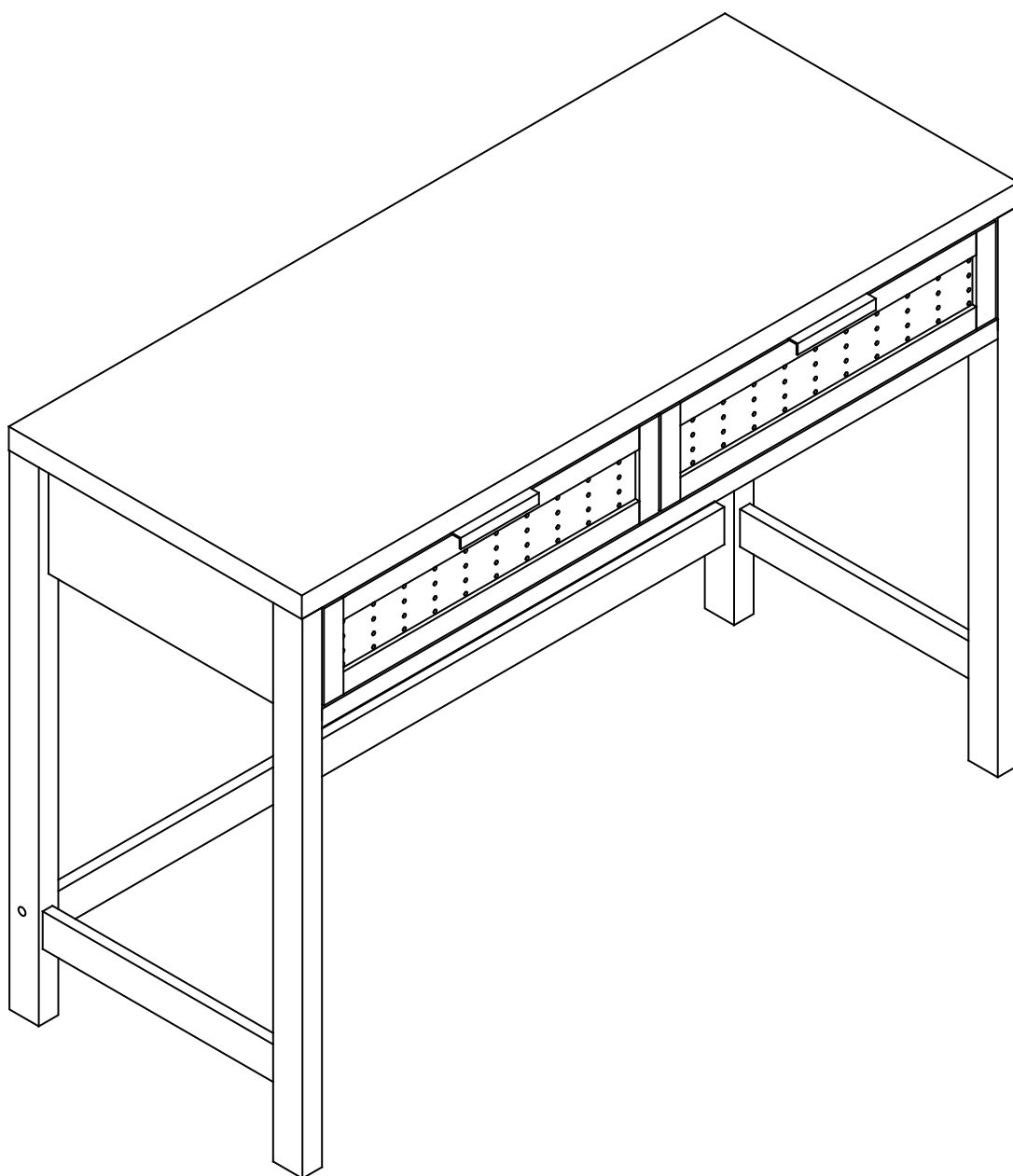




**Fantastic
Furniture**

Version 1.0



Haywood
Desk 2 Drawer

fantasticfurniture.com.au

Recommended weight capacity : 40kgs on top.

Looks like you've found your Fantastic!

We're thrilled you've chosen Fantastic Furniture
to help create a home you'll love!



Fantastic Furniture

Love it? Share it!

Fantastic buy! Share how it looks at home on Instagram for
your chance to win a \$250 Fantastic Furniture Gift Card!

@fantasticfurniture

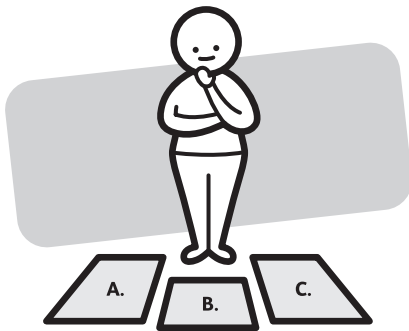
Assembly Checklist



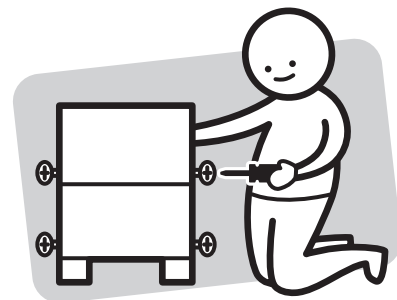
Read through the instructions carefully before you begin.



Make sure you have all the required tools. Never use power tools unless instructed.



Identify and lay out all of the components before you begin assembly.



Unless instructed, do not fully tighten screws until the item is fully assembled.

Useful Information

- ! Never use power tools unless specifically instructed. They can damage your components or hardware if used incorrectly.
- ! The most common mistakes made during assembly are using the wrong hardware or getting components back to front.
- ! Always use a soft surface (such as carpet or cardboard) when assembling your product to avoid scratching or damaging the surface of the product.
- ! Bulky items such as wardrobes and bunk beds should be assembled in the room they will be used in as they may not fit through a door once assembled.
- ! Never use any glue until you are certain that the parts belong together.
- ! Periodically check and re-tighten all fasteners. Check the product care label or website for product care instructions.
- ! If you are having any difficulties assembling your product, missing any hardware or components please visit our website Help Centre for further assistance.
- ! Please see page 2 for any safety requirements or weight restrictions.

What you need

to assemble the product



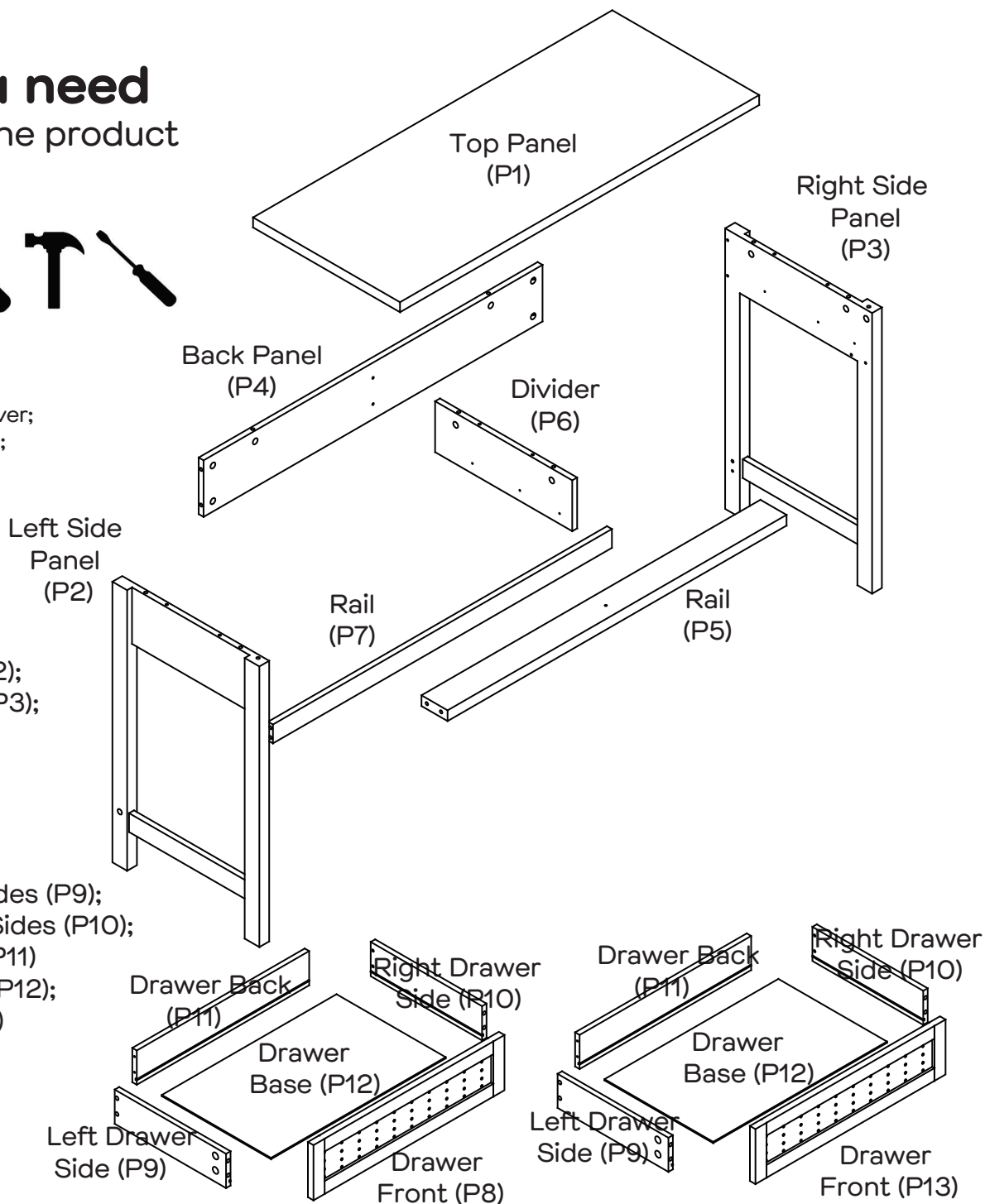
DO NOT USE



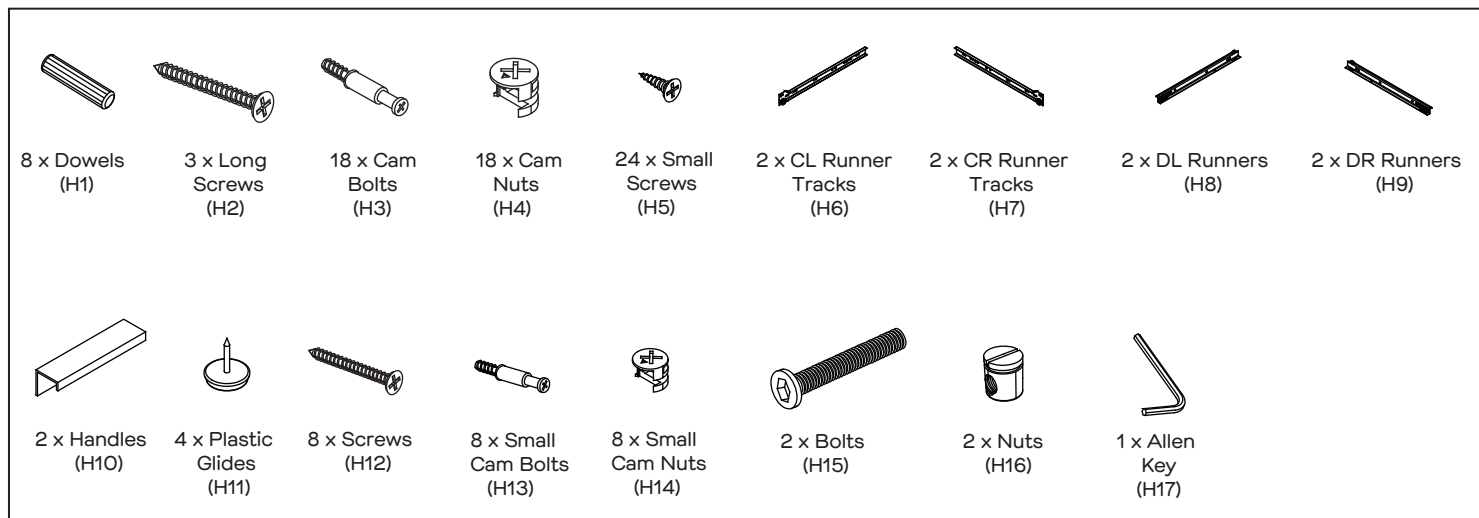
Other tools you need:
Phillips head screwdriver;
Flat head screwdriver ;
Hammer

Parts list

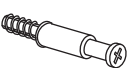

Top Panel (P1);
Left Side Panel (P2);
Right Side Panel (P3);
Back Panel (P4);
Rail (P5);
Divider (P6);
Rail (P7);
Drawer Front (P8)
2 x Left Drawer Sides (P9);
2 x Right Drawer Sides (P10);
2 x Drawer Back (P11)
2 x Drawer Base (P12);
Drawer Front (P13)

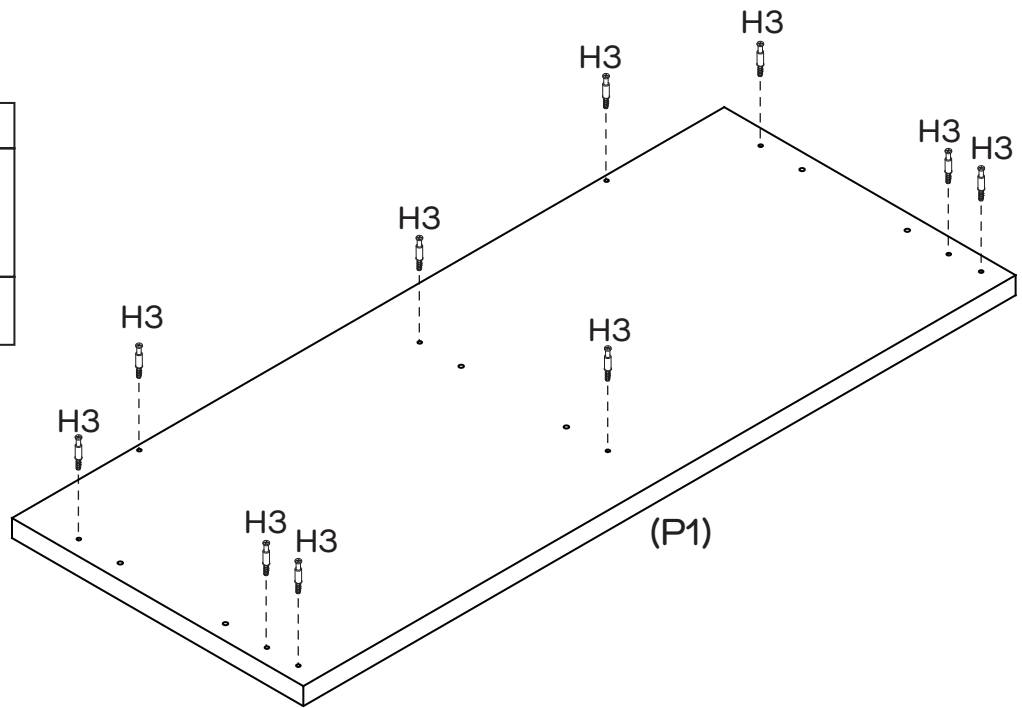


Hardware pack




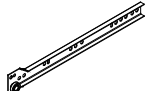
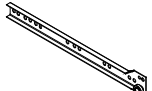



Step 1

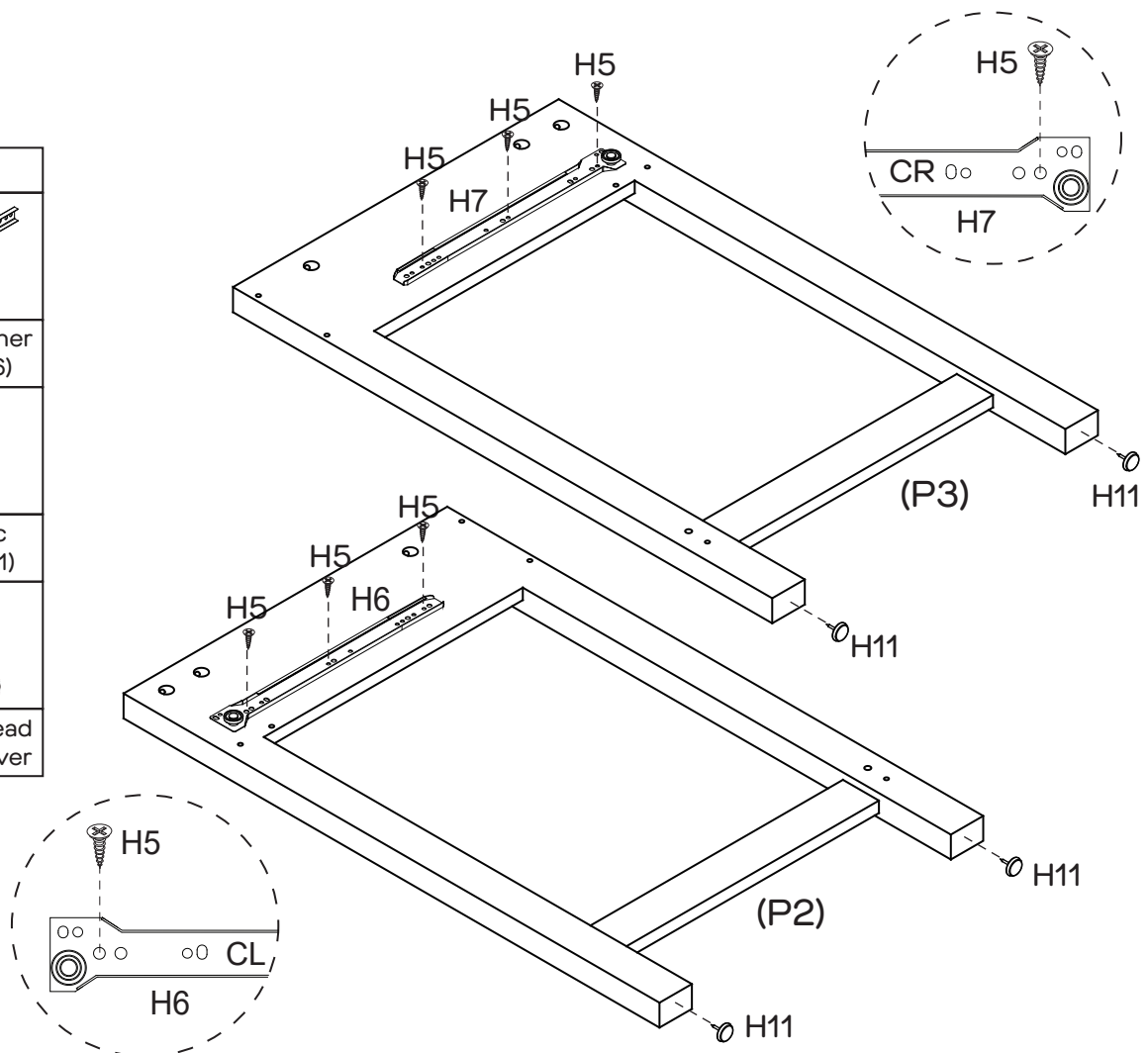
You will need	
	
10 x Cam Bolts (H3)	Phillips Head Screwdriver



Attach 10 x Cam Bolts (H3) to Top Panel (P1) by tightening with the Phillips Head Screwdriver.

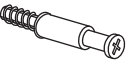

Step 2

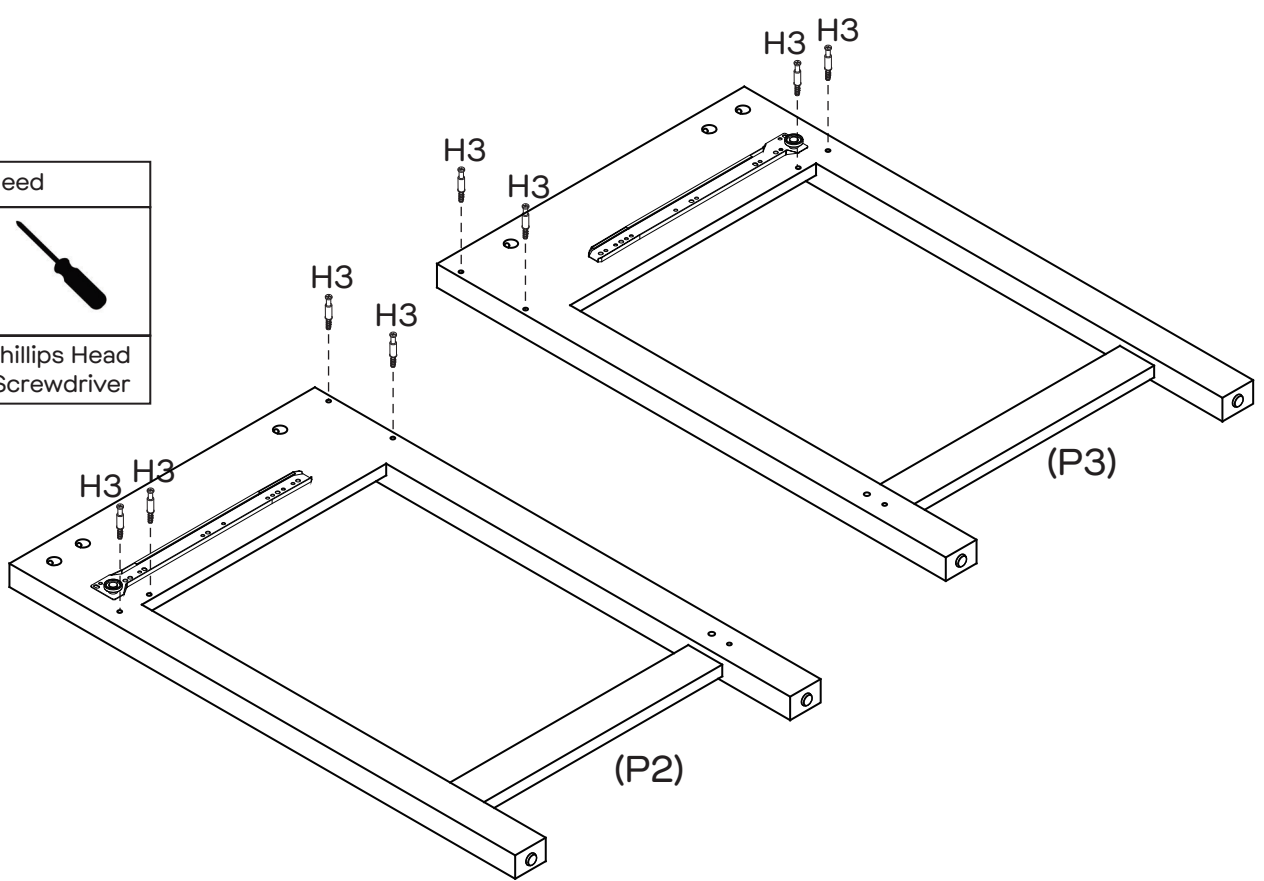
You will need	
	
6 x Small Screws (H5)	1 x CL Runner Track (H6)
	
1 x CR Runner Tracks (H7)	4 x Plastic Glides (H11)
	
Hammer	Phillips Head Screwdriver



Attach 1 x CL Runner Track (H6) to Left Side Panel (P2) and 1 x CR Runner Track (H7) to Right Side Panel (P3) with 6 x Small Screws (H5) by tightening with the Phillips Head Screwdriver.


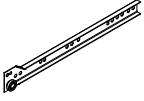
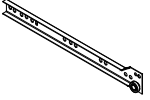

Step 3

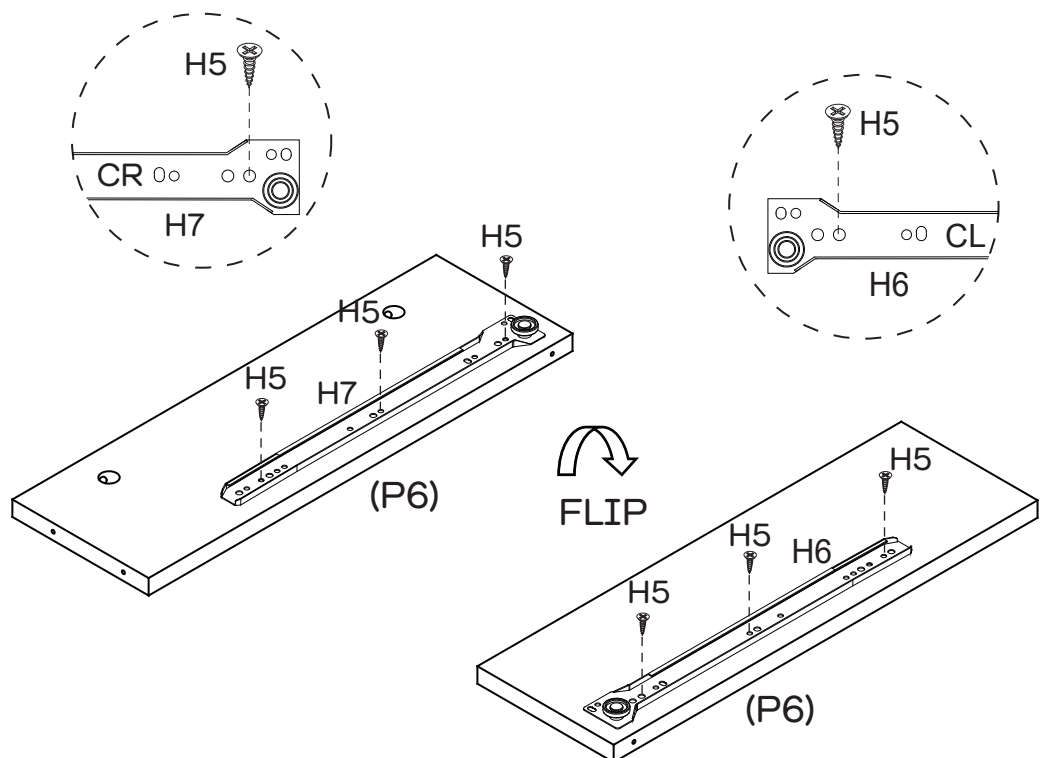
You will need	
	
8 x Cam Bolts (H3)	Phillips Head Screwdriver



Attach 8 x Cam Bolts (H3) to Left & Right Side Panels (P2 & P3) by tightening with the Phillips Head Screwdriver.

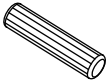


Step 4

You will need	
	
6 x Small Screws (H5)	1 x CL Runner Track (H6)
	
1 x CR Runner Track (H7)	Phillips Head Screwdriver

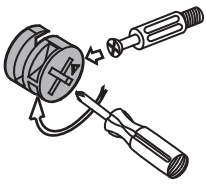


Attach 1 x CL Runner Track (H6) and 1 x CR Runner Track (H7) to the each side of Divider (P6) as shown with 6 x Small Screws (H5) by tightening with the Phillips Head Screwdriver.

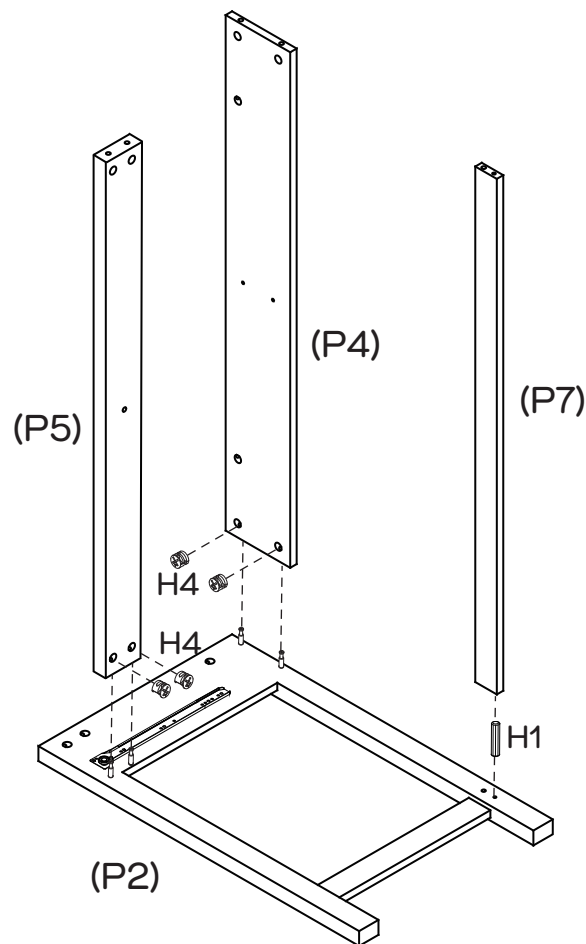
Step 5

You will need	
	
1 x Dowel (H1)	4 x Cam Nuts (H4)
	
Phillips Head Screwdriver	

This is how a cam nut works.....

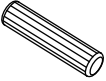




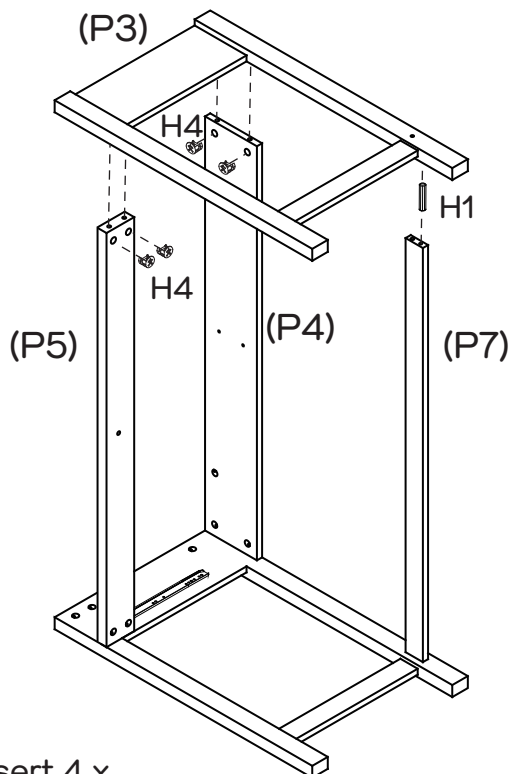
The head of the cam bolt goes into the open mouth of the cam nut. You then turn the cam nut so it tightens over the bolt.



Insert 4 x Cam Nuts (H4) into Rail (P5) and Back Panel (P4) as shown. Rotate the cam nuts so the arrows point towards the incoming cam bolts. Attach Rail (P5) and Back Panel (P4) to Left Side Panel (P2) by tightening all cam nuts with the Phillips Head Screwdriver. Insert 1 x Dowel (H1) into Rail (P7) as shown. Attach Rail (P7) to Left Side Panel (P2).

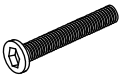



Step 6

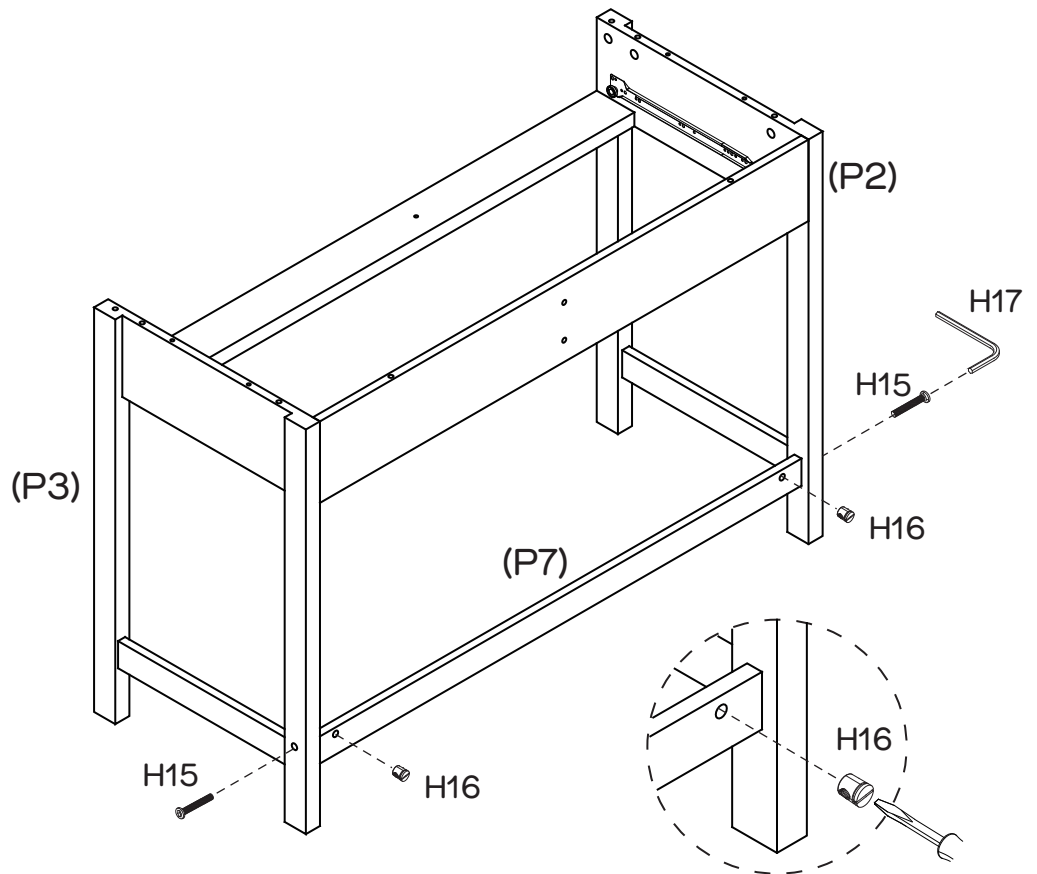
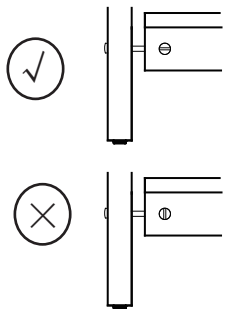
You will need	
	
1 x Dowel (H1)	4 x Cam Nuts (H4)
	
Phillips Head Screwdriver	



Insert 1 x Dowel (H1) into Rail (P7) as shown. Insert 4 x Cam Nuts (H4) into Rail (P5) and Back Panel (P4). Rotate the cam nuts so the arrows point towards the incoming cam bolts. Attach Rail (P5) and Back Panel (P4) to Right Side Panel (P3) by tightening all cam nuts with the Phillips Head Screwdriver.

Step 7

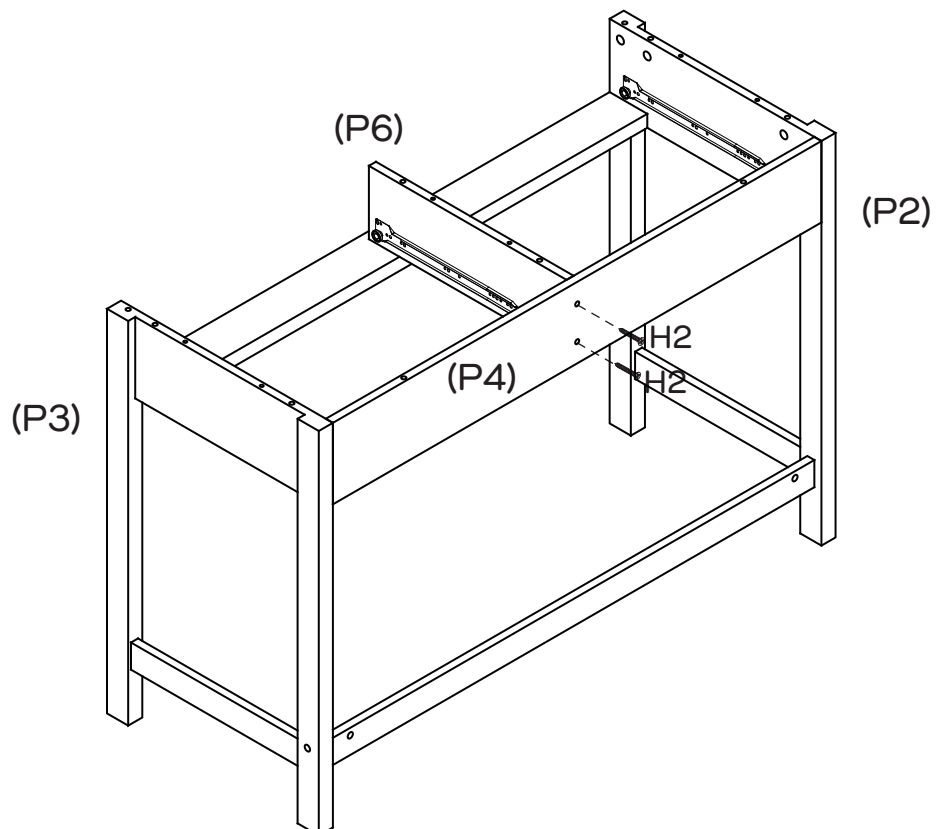
You will need	
	
2 x Bolt (H15)	2 x Nut (H16)
	
1 x Allen Key (H17)	Flat Head Screwdriver



Gently stand the partially assembled desk upright. Insert 2 x Nuts (H16) into Rail (P7) as shown. Secure Left & Right Side Panels (P2 & P3) to Rail (P7) with 2 x Bolts (H15) by tightening with the Allen Key (H17) and holding the Nuts (H16) in place with the Flat Head Screwdriver.

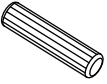


Step 8

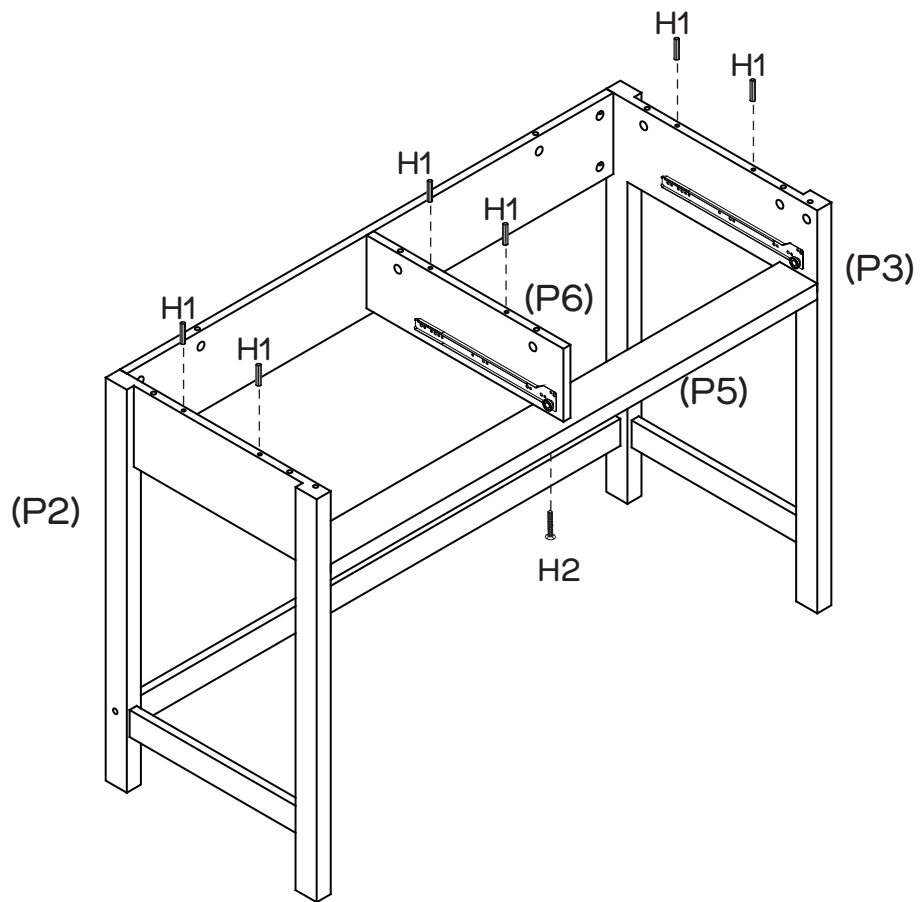
You will need	
	
2 x Long Screws (H2)	Phillips Head Screwdriver



Attach Divider (P6) to Back Panel (P4) with 2 x Long Screws (H2) by tightening with the Phillips Head Screwdriver.



Step 9

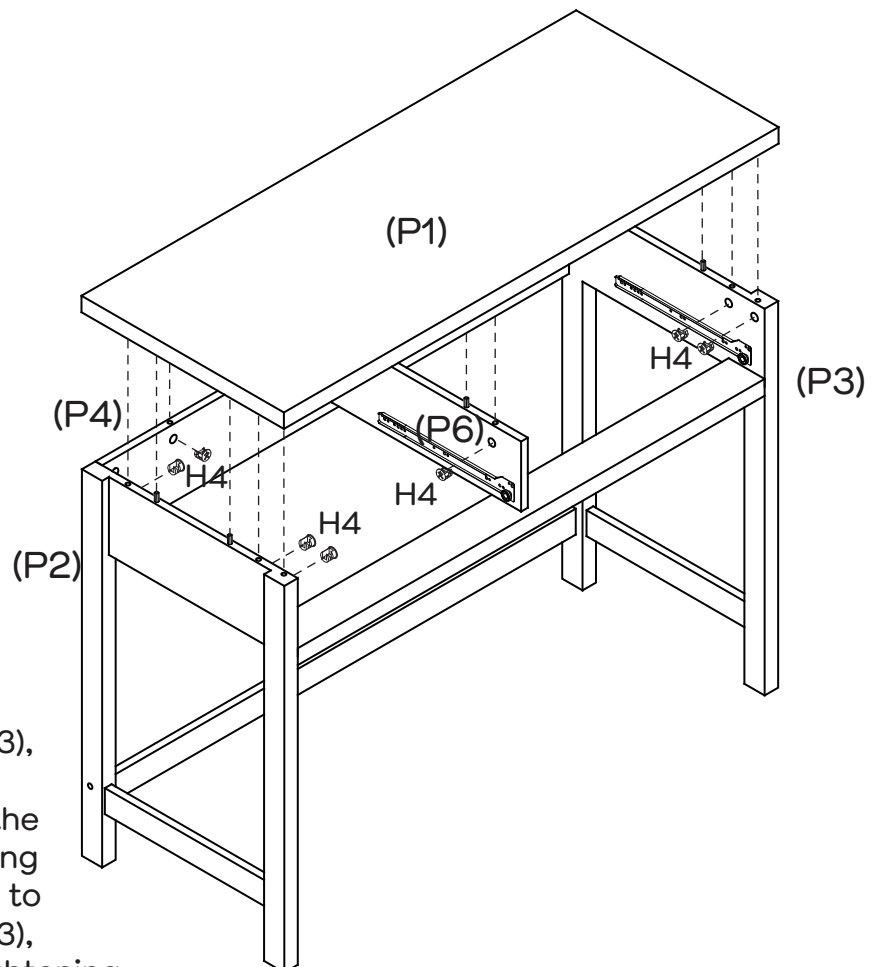
You will need	
	
6 x Dowels (H1)	1 x Long Screw (H2)
	
Phillips Head Screwdriver	



Insert 6 x Dowels (H1) to Left & Right Side Panels (P2 & P3) and Divider (P6). Attach Divider (P6) to Rail (P5) with 1 x Long Screw (H2) by tightening with the Phillips Head Screwdriver.



Step 10

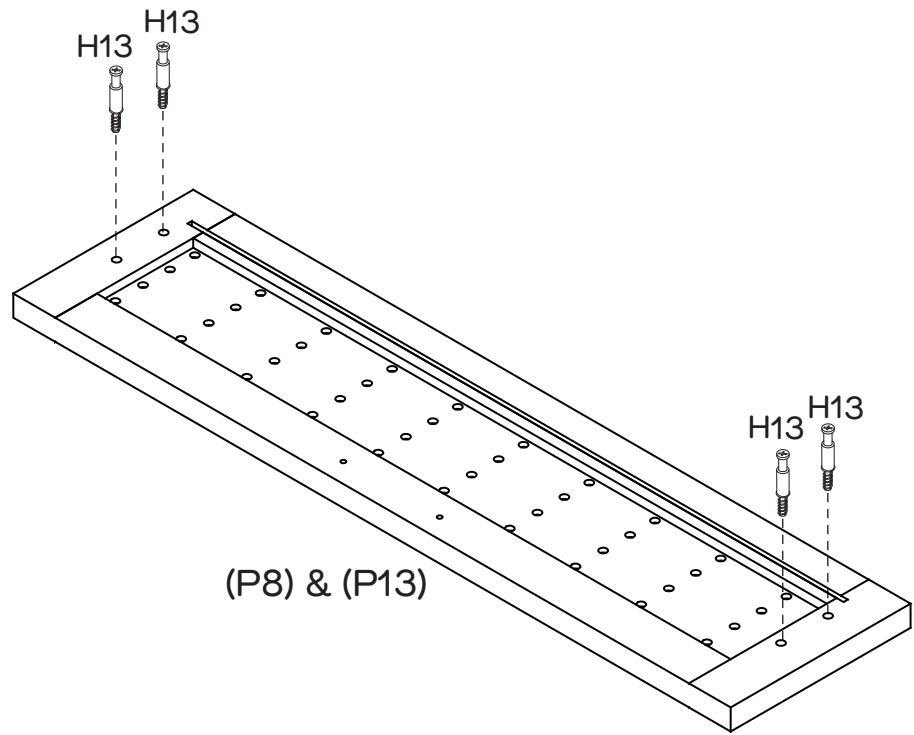
You will need	
	
10 x Cam Nuts (H4)	Phillips Head Screwdriver



Insert 10 x Cam Nuts (H4) into Left & Right Side Panels (P2 & P3), Divider (P6) and Panel (P4) as shown. Rotate the cam nuts so the arrows point towards the incoming cam bolts. Attach Top Panel (P1) to Left & Right Side Panels (P2 & P3), Divider (P6) and Panel (P4) by tightening all cam nuts with the Phillips Head Screwdriver.



Step 11

You will need	
	
8 x Small Cam Bolts (H13)	Phillips Head Screwdriver

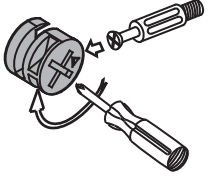


Attach 8 x Small Cam Bolts (H13) to Drawer Fronts (P8 & P13) by tightening with the Phillips Head Screwdriver.

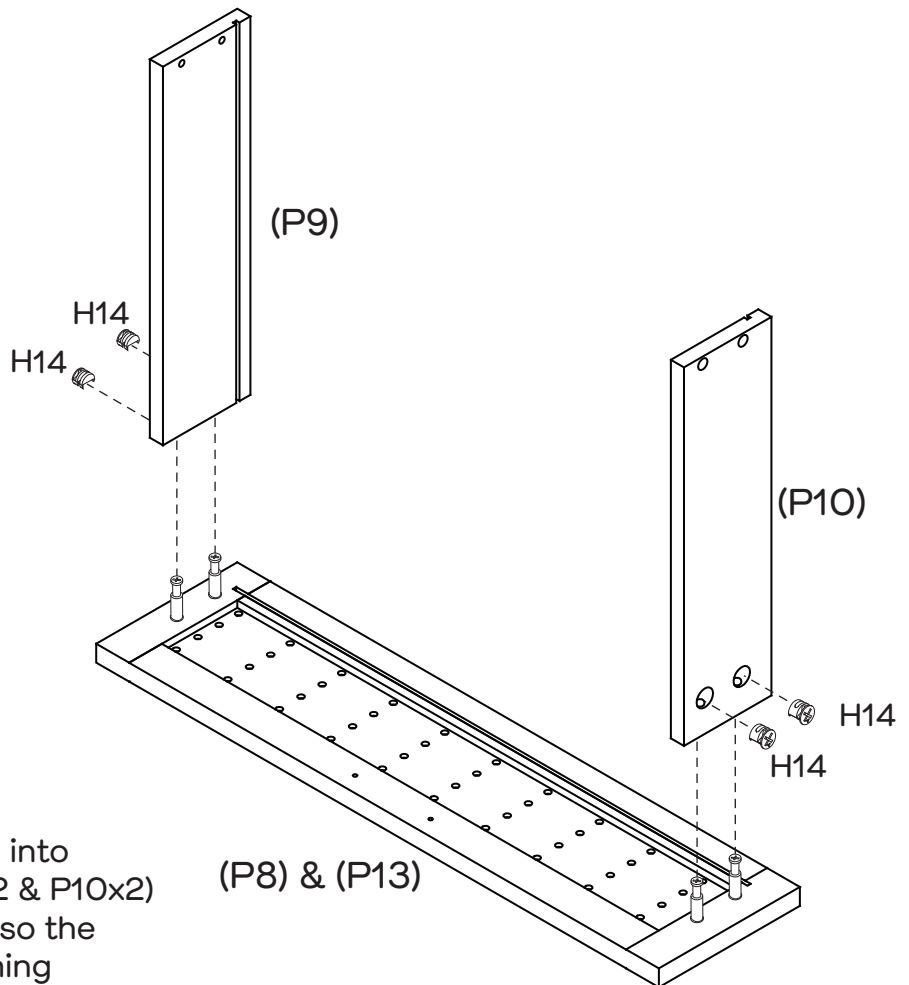
Step 12

You will need	
	
8 x Small Cam Nuts (H14)	Phillips Head Screwdriver

This is how a cam nut works.....

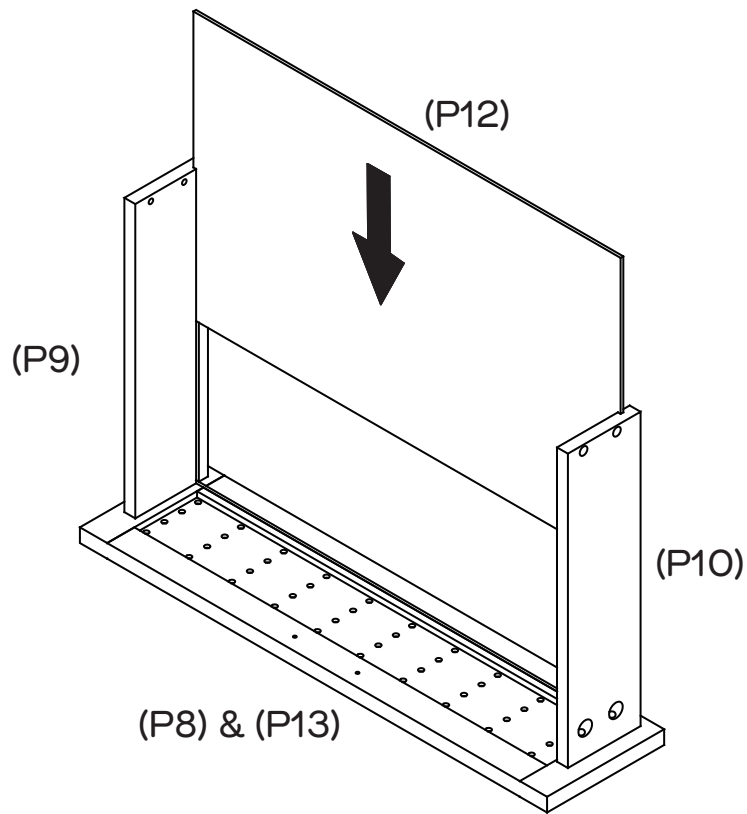


The head of the cam bolt goes into the open mouth of the cam nut. You then turn the cam nut so the arrows point towards the incoming cam bolts. Attach Left & Right Drawer Sides (P9x2 & P10x2) to Drawer Fronts (P8 & P13) by tightening the cam nuts with the Phillips Head Screwdriver.





Insert 8 x Small Cam Nuts (H14) into Left & Right Drawer Sides (P9x2 & P10x2) as shown. Rotate the cam nuts so the arrows point towards the incoming cam bolts. Attach Left & Right Drawer Sides (P9x2 & P10x2) to Drawer Fronts (P8 & P13) by tightening the cam nuts with the Phillips Head Screwdriver.

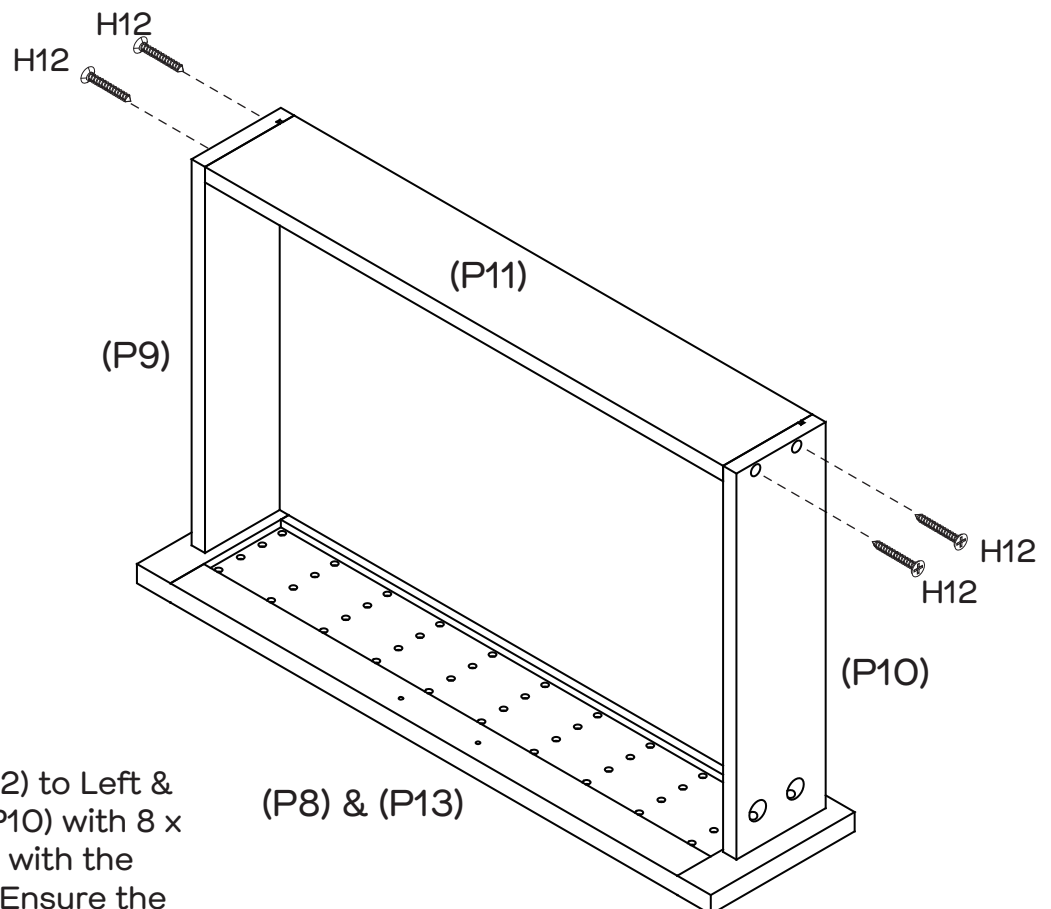
Step 13



Slide Drawer Bases (P12x2) into the grooves of Left & Right Drawer Sides (P9 & P10).

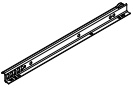
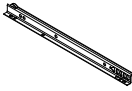


Step 14

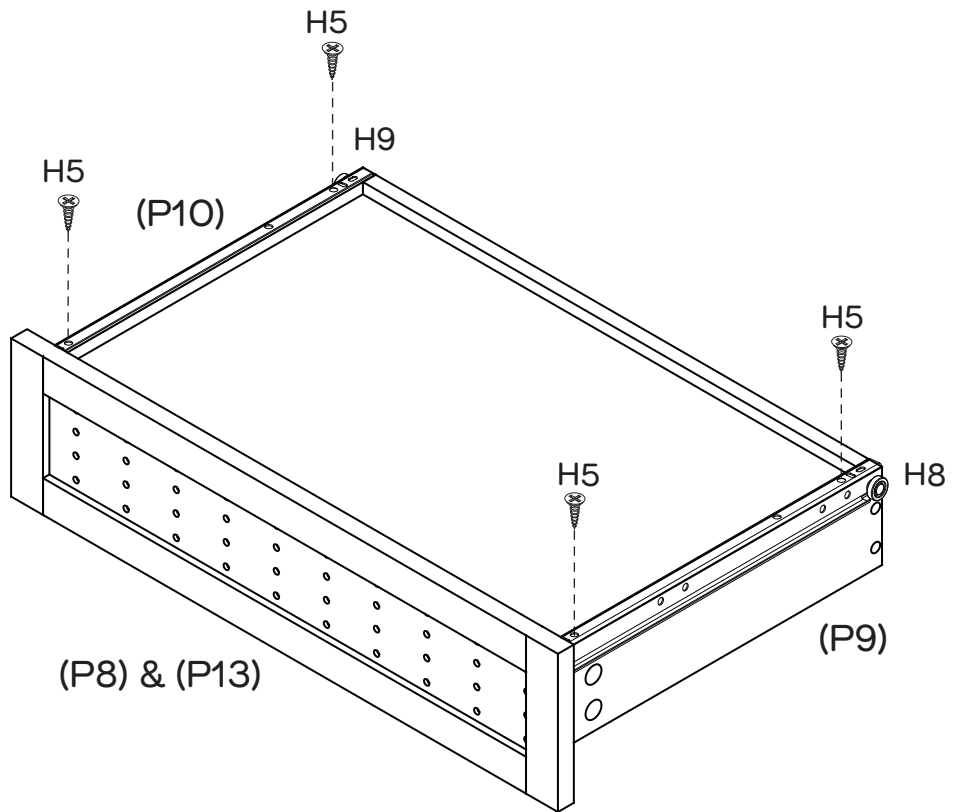
You will need	
	
8 x Screws (H12)	Phillips Head Screwdriver



Attach Drawer Backs (P11x2) to Left & Right Drawer Sides (P9 & P10) with 8 x Screws (H12) by tightening with the Phillips Head Screwdriver. Ensure the Drawer Base lines up with the grooves the whole way around the drawer before securing.


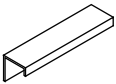

Step 15

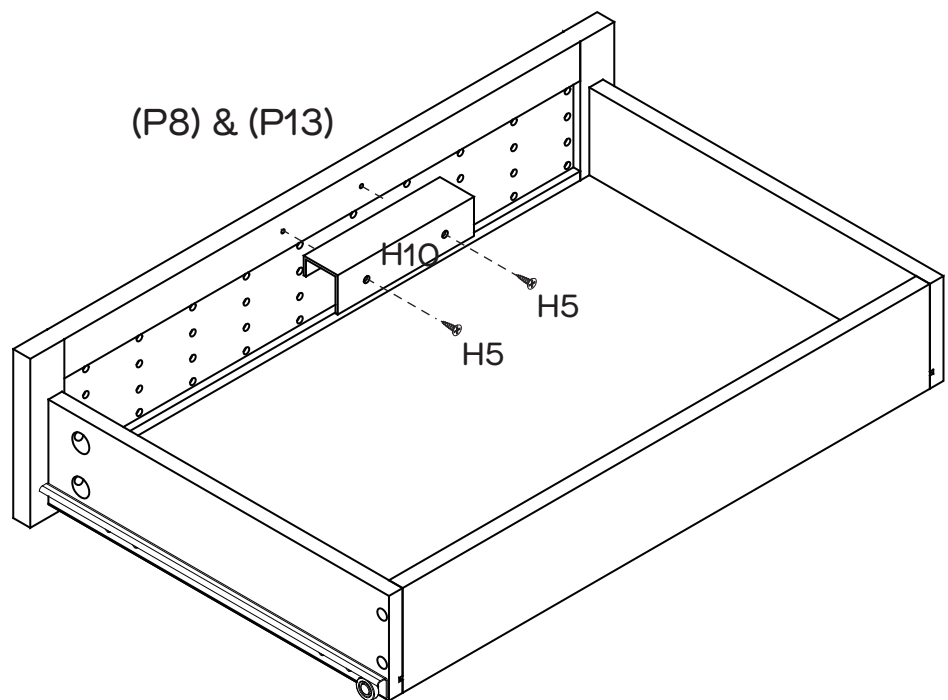
You will need	
	
2 x DL Runners (H8)	2 x DR Runners (H9)
	
8 x Small Screws (H5)	Phillips Head Screwdriver



Attach 2 x DL Runners (H8) to the bottom of Left Drawer Sides (P9x2) and 2 x DR Runners (H9) to the bottom of Right Drawer Sides (P10x2) with 8 x Small Screws (H5) by tightening with the Phillips Head Screwdriver.

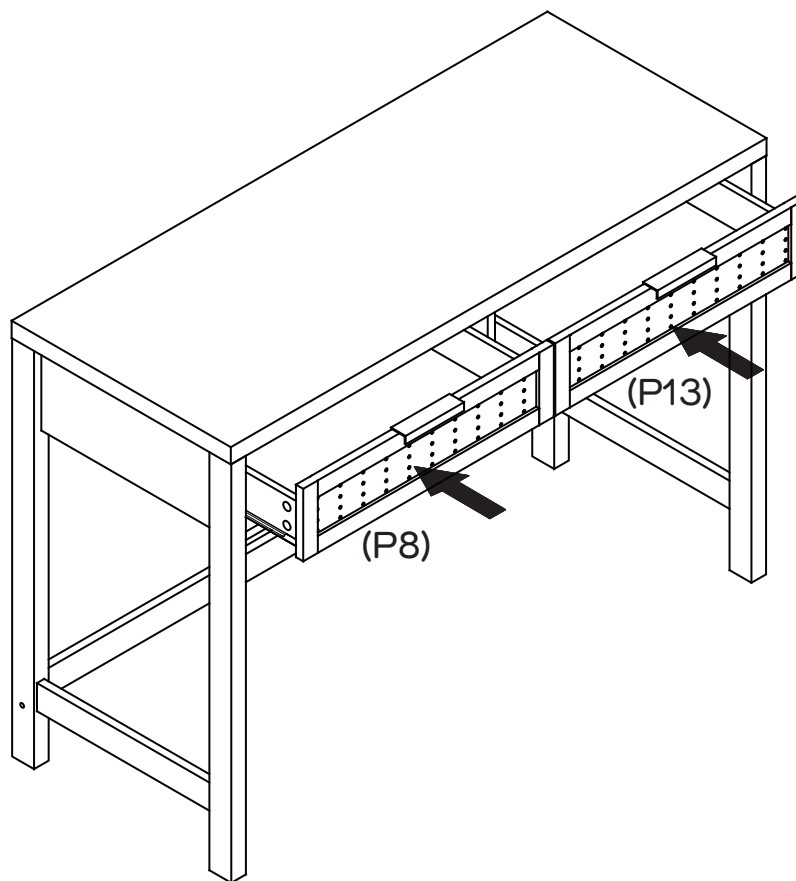
Step 16

You will need	
	
4 x Small Screws (H5)	2 x Handles (H10)
	
Phillips Head Screwdriver	

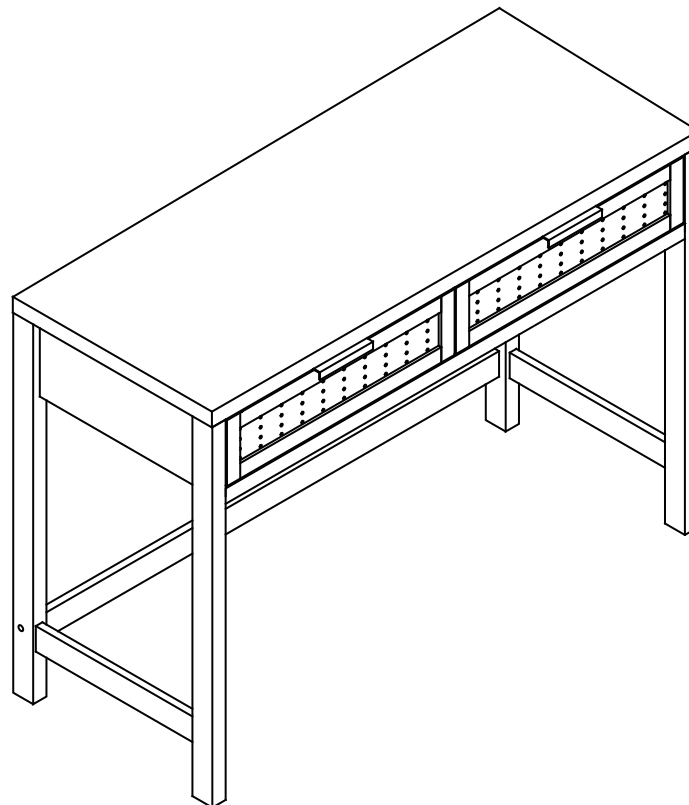


Attach 2 x Handles (H10) to Drawer Fronts (P8 & P13) with 4 x Small Screws (H5) by tightening with the Phillips Head Screwdriver.

Step 17



Insert the assembled drawers into the corresponding compartments as shown. Ensure the drawers slide easily along the rails.



Job Complete!

In the interest of our environment please dispose of all packaging thoughtfully.