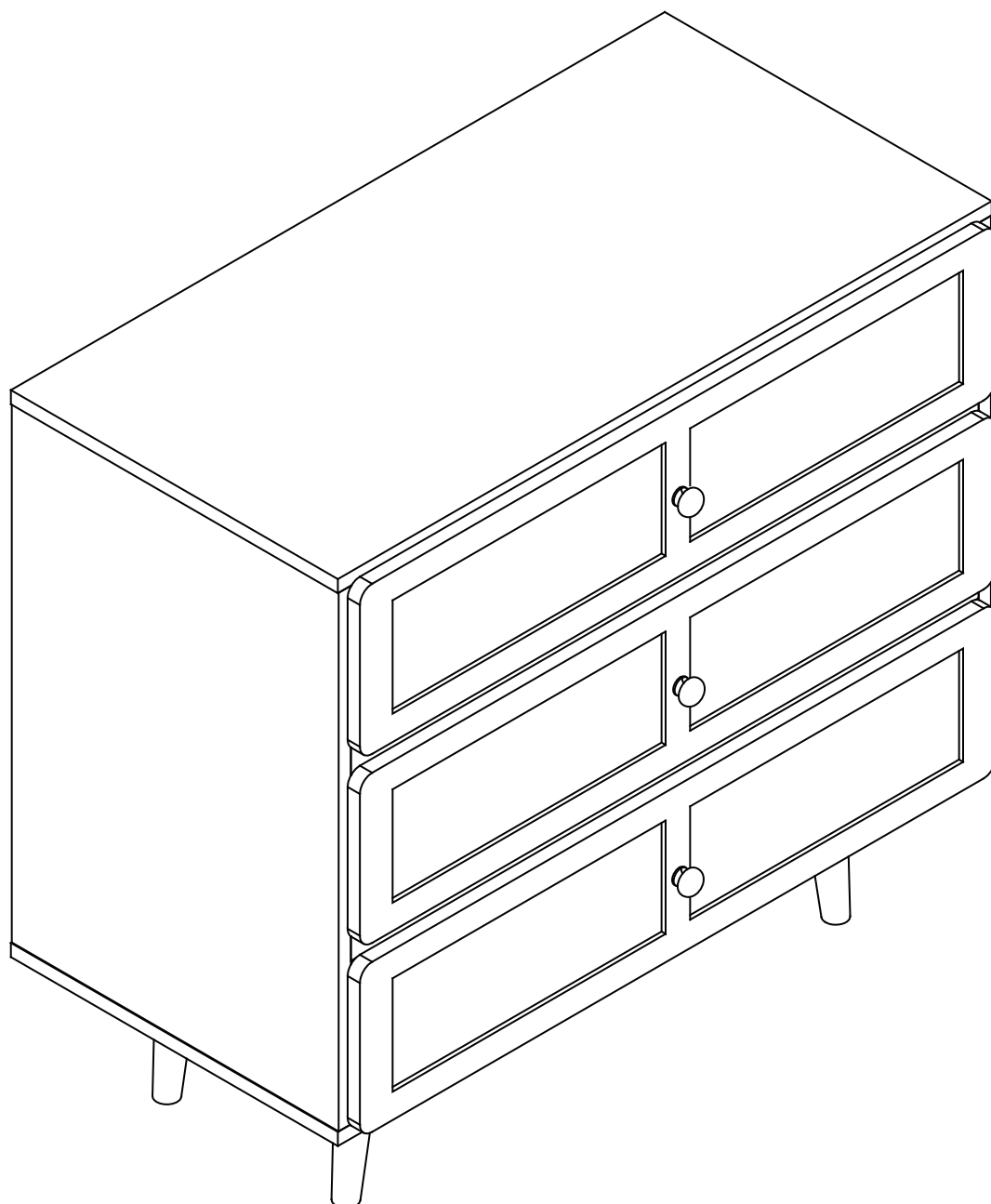


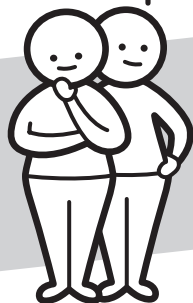


**Fantastic
Furniture**

Version 1.0



Two People



Required

Twilight

Lowboy 3 Drawer

fantasticfurniture.com.au

Recommended weight capacity : 10kg / Drawer.



**WARNING: ENSURE THE WALL STRAP IS ATTACHED TO
AVOID SERIOUS INJURY.**

To avoid any serious or fatal injury, this product has been supplied with a wall strap to prevent toppling. We strongly recommend that this product is permanently fixed to the wall or other suitable surface. Connecting attachments for your wall are not included since different surface materials require different attachments. Please seek professional advice if you are in doubt of what wall connections to use.

Looks like you've found your Fantastic!

We're thrilled you've chosen Fantastic Furniture
to help create a home you'll love!



Fantastic Furniture

Love it? Share it!

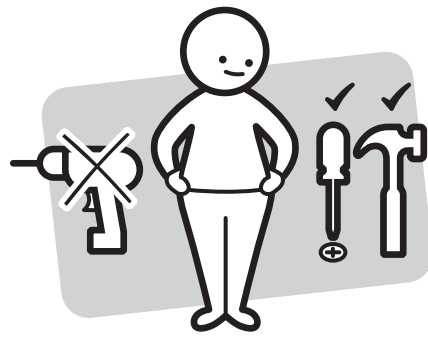
Fantastic buy! Share how it looks at home on Instagram for
your chance to win a \$250 Fantastic Furniture Gift Card!

@fantasticfurniture

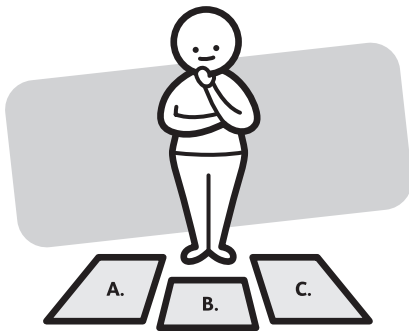
Assembly Checklist



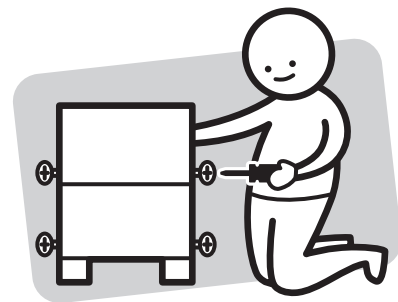
Read through the instructions carefully before you begin.



Make sure you have all the required tools. Never use power tools unless instructed.



Identify and lay out all of the components before you begin assembly.



Unless instructed, do not fully tighten screws until the item is fully assembled.

Useful Information

- ! Never use power tools unless specifically instructed. They can damage your components or hardware if used incorrectly.
- ! The most common mistakes made during assembly are using the wrong hardware or getting components back to front.
- ! Always use a soft surface (such as carpet or cardboard) when assembling your product to avoid scratching or damaging the surface of the product.
- ! Bulky items such as wardrobes and bunk beds should be assembled in the room they will be used as they may not fit through a door once assembled.
- ! Never use any glue until you are certain that the parts belong together.
- ! Periodically check and re-tighten all fasteners. Check the product care label or website for product care instructions.
- ! If you are having any difficulties assembling your product, missing any hardware or components please visit our website Help Centre for further assistance.
- ! Please see page 2 for any safety requirements or weight restrictions.

What you need

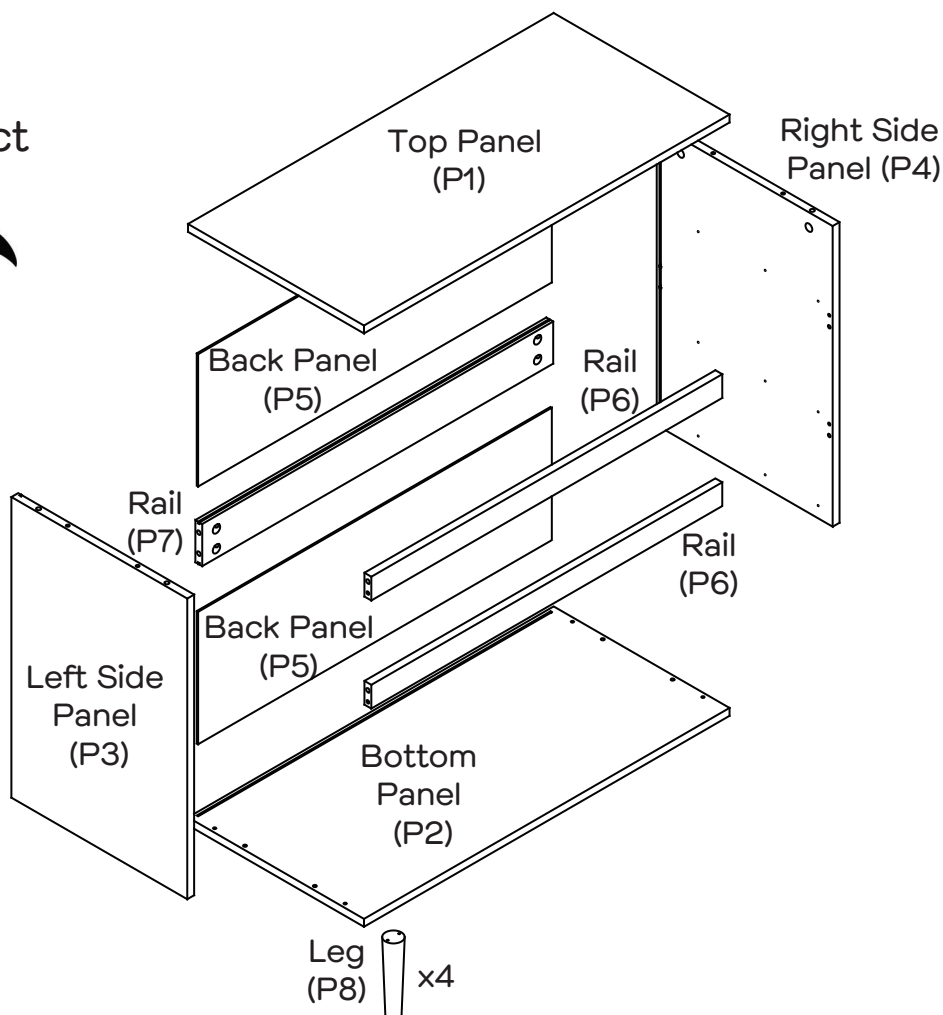
to assemble the product



DO NOT USE

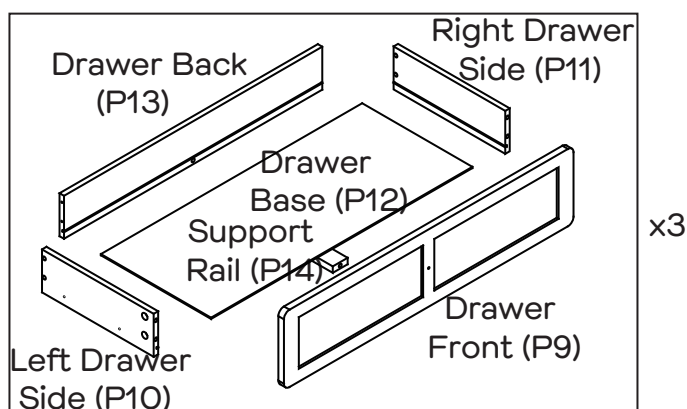


Other tools you need:
Phillips head screwdriver;
Hammer

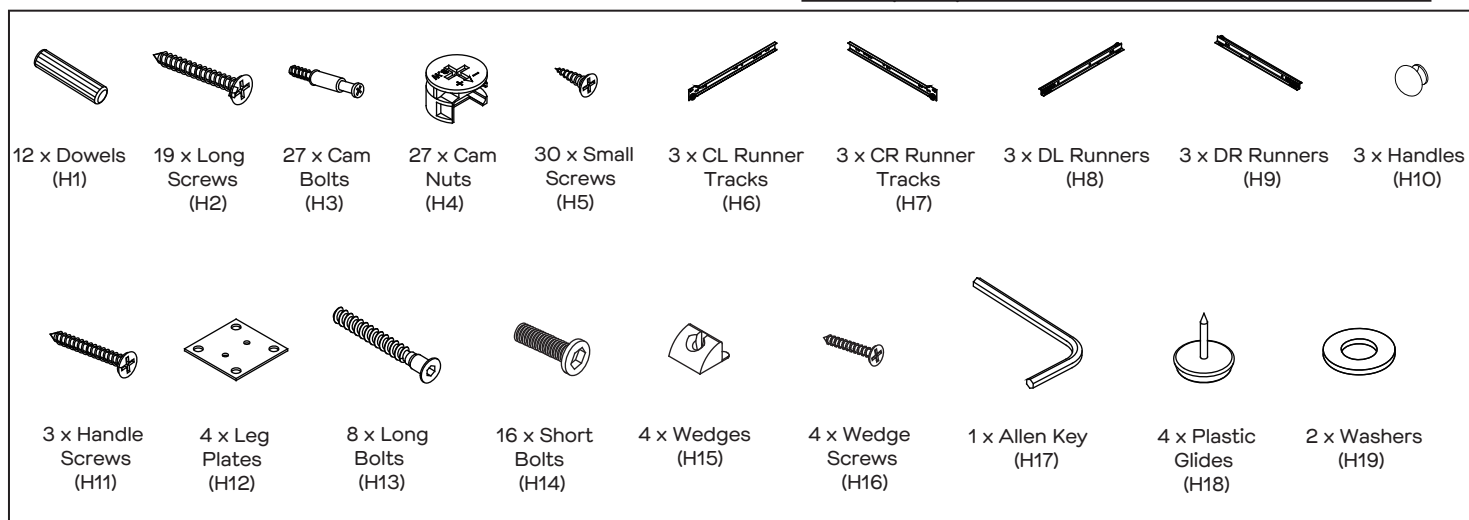


Parts list

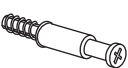

- Top Panel (P1);
- Bottom Panel (P2)
- Left Side Panel (P3);
- Right Side Panel (P4);
- 2 x Back Panels (P5);
- 2 x Rails (P6);
- Rail (P7);
- 4 x Legs (P8);
- 3 x Drawer Fronts (P9)
- 3 x Left Drawer Sides (P10);
- 3 x Right Drawer Sides (P11);
- 3 x Drawer Bases (P12);
- 3 x Drawer Backs (P13);
- 3 x Support Rails (P14);

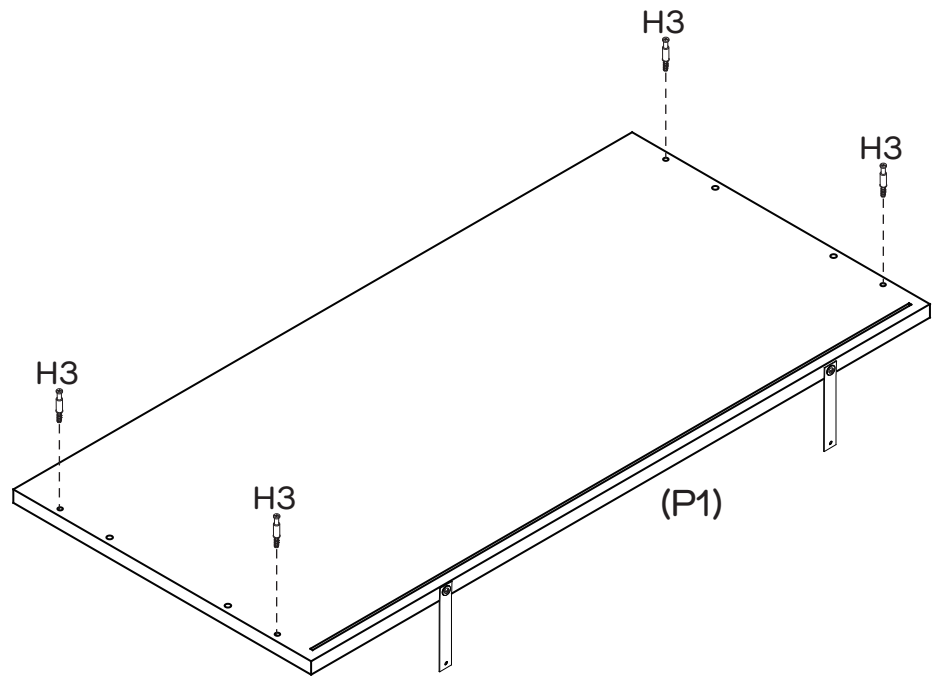


Hardware pack




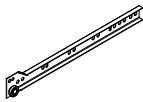
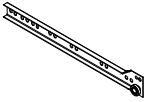

Step 1

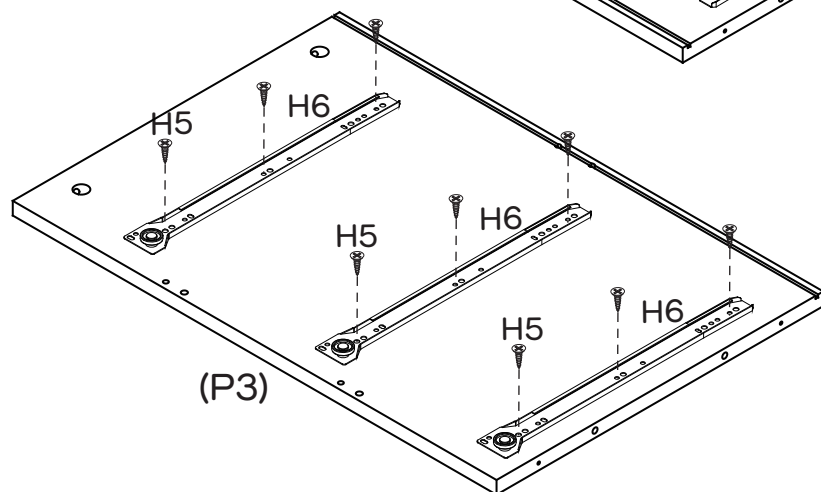
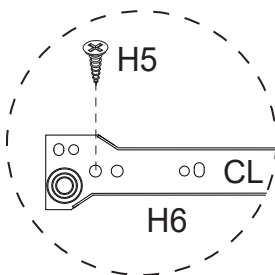
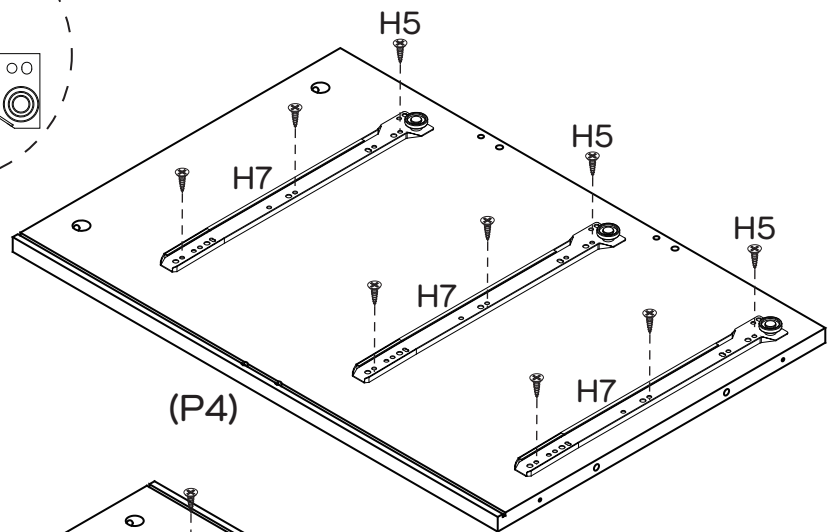
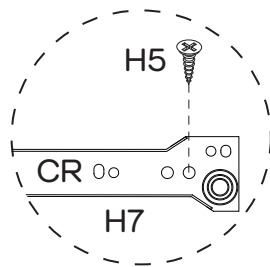
You will need	
	
4 x Cam Bolts (H3)	Phillips Head Screwdriver



Attach 4 x Cam Bolts (H3) to Top Panel (P1) by tightening with the Phillips Head Screwdriver.

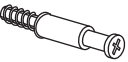

Step 2

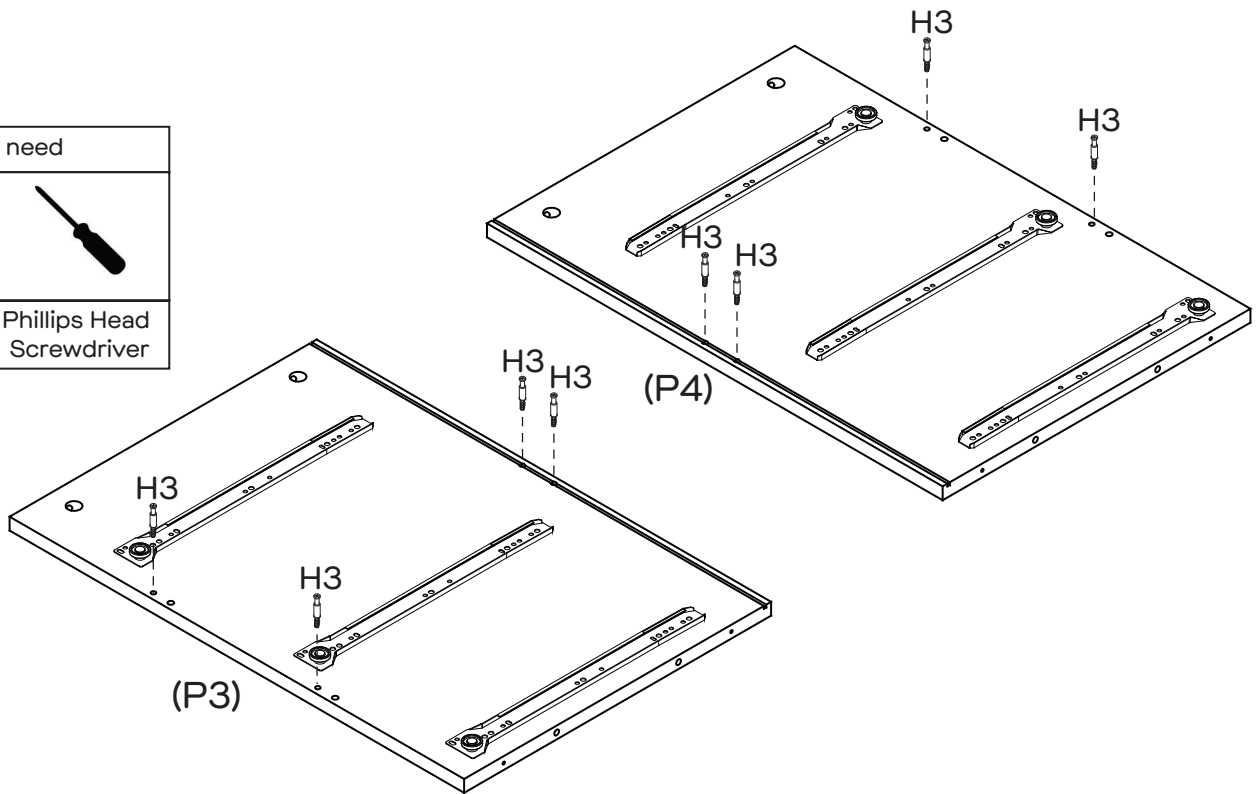
You will need	
	
18 x Small Screws (H5)	3 x CL Runner Tracks (H6)
	
3 x CR Runner Tracks (H7)	Phillips Head Screwdriver



Attach 3 x CL Runner Tracks (H6) and 3 x CR Runner Tracks (H7) to Left & Right Side Panels (P3 & P4) with 18 x Small Screws (H5) by tightening with the Phillips Head Screwdriver.

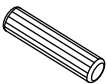


Step 3

You will need	
	
8 x Cam Bolts (H3)	Phillips Head Screwdriver

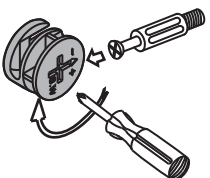


Attach 8 x Cam Bolts (H3) to Left & Right Side Panel (P3 & P4) by tightening with the Phillips Head Screwdriver.

Step 4

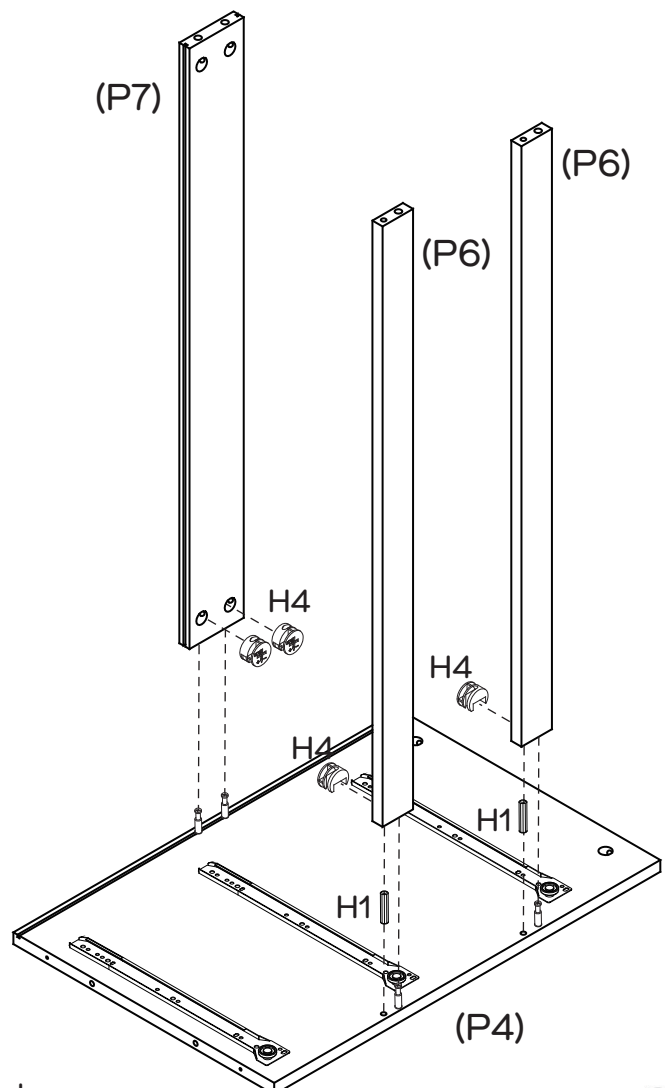
You will need	
	
2 x Dowels (H1)	4 x Cam Nuts (H4)
	
Phillips Head Screwdriver	

This is how a cam nut works.....

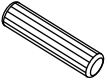




The head of the cam bolt goes into the open mouth of the cam nut. You then turn the cam nut so the arrows point towards the incoming cam bolts.

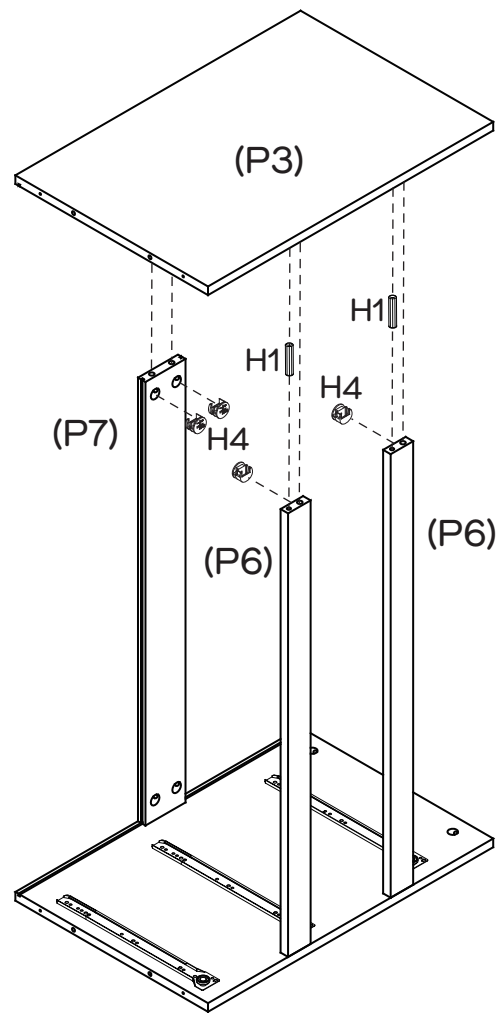
Insert 4 x Cam Nuts (H4) and 2 x Dowels (H1) into Rails (P6 x 2 & P7) as shown. Rotate the cam nuts so the arrows point towards the incoming cam bolts. Attach Rails (P6 x 2 & P7) to Right Side Panel (P4) by tightening all cam nuts with the Phillips Head Screwdriver.



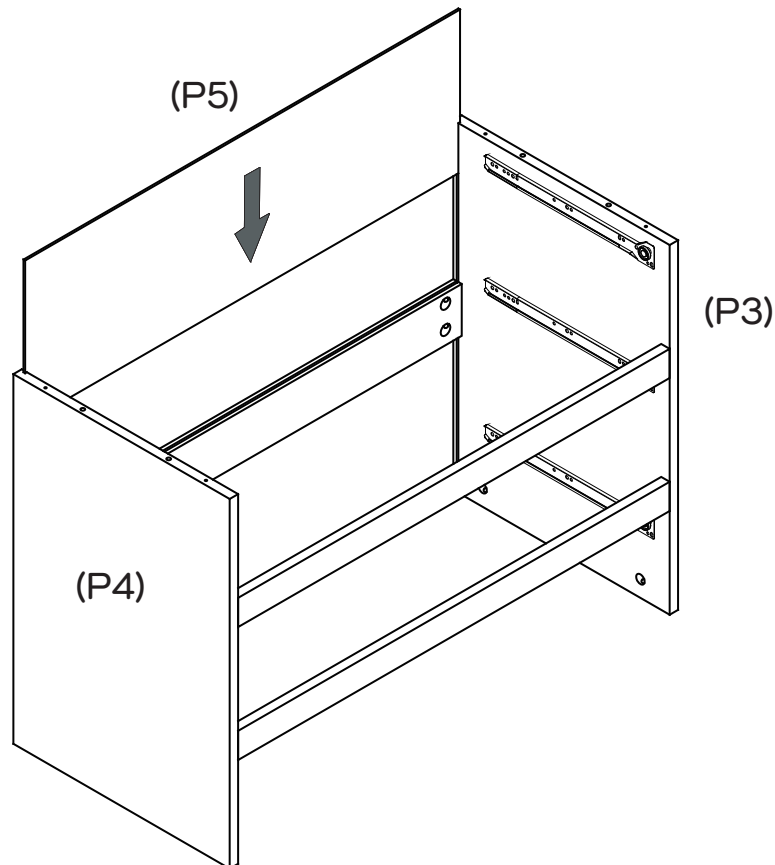
Step 5

You will need	
	
2 x Dowels (H1)	4 x Cam Nuts (H4)
	
Phillips Head Screwdriver	

Insert 4 x Cam Nuts (H4) and 2 x Dowels (H1) into Rails (P6 x 2 & P7) as shown. Rotate the cam nuts so the arrows point towards the incoming cam bolts. Attach Left Side Panel (P3) to Rails (P6 x 2 & P7) by tightening all cam nuts with the Phillips Head Screwdriver.

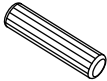




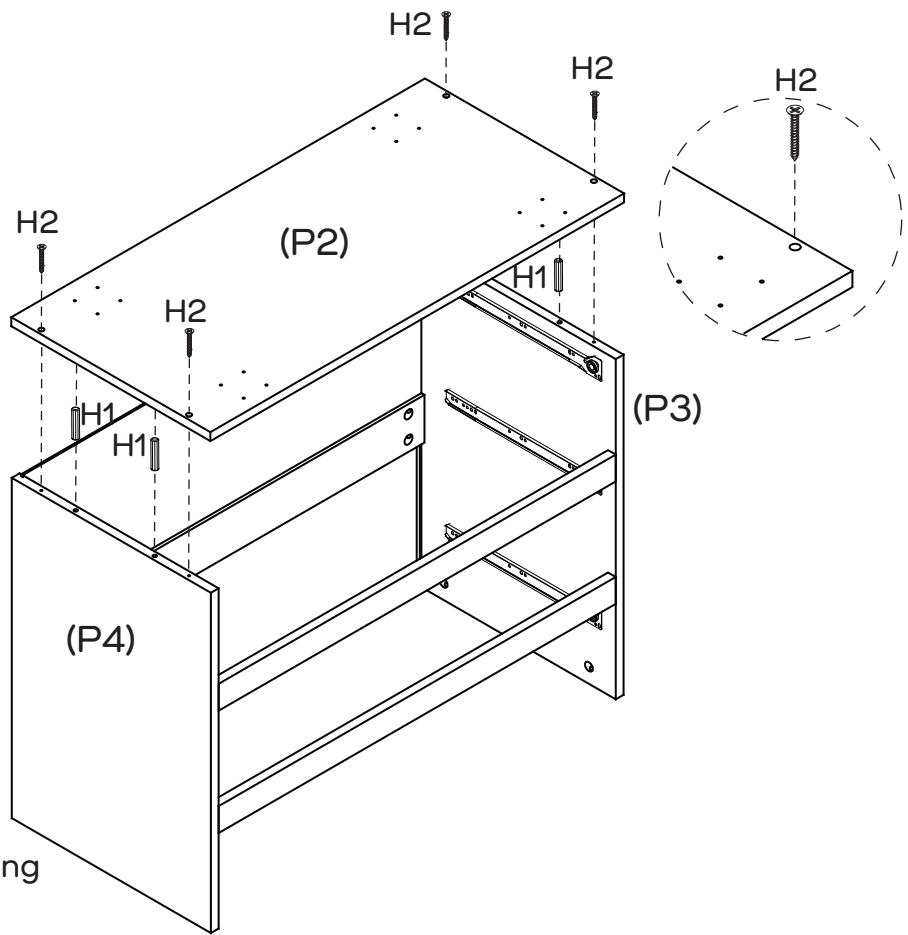
Step 6



Slide 1 x Back Panel (P5) into the grooves of Left & Right Side Panel (P3 & P4).

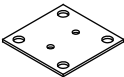



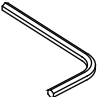


Step 7

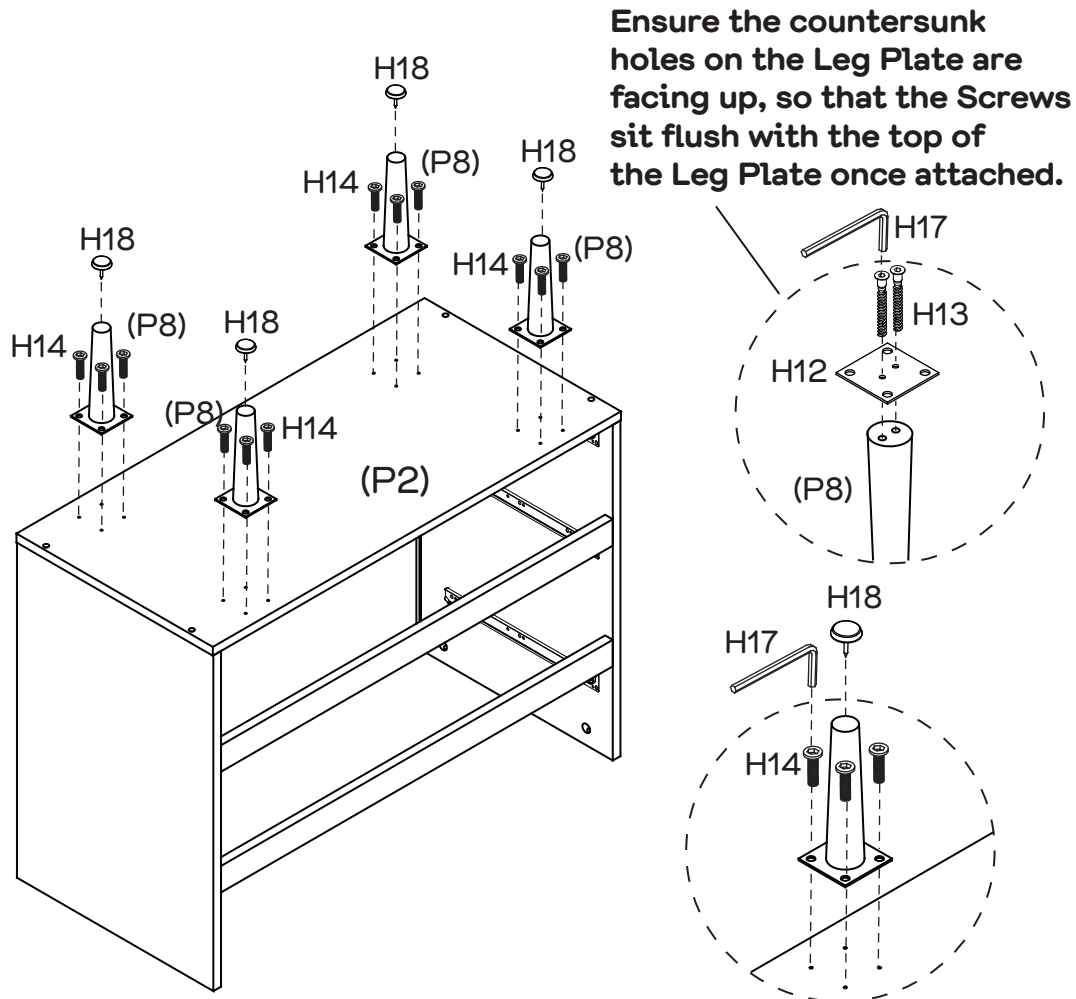
You will need	
	
4 x Dowels (H1)	4 x Long Screws (H2)
	
Phillips Head Screwdriver	



Insert 4 x Dowels (H1) into Left & Right Side Panel (P3 & P4). Attach Bottom Panel (P2) to Left & Right Side Panel (P3 & P4) with 4 x Long Screws (H2) by tightening with the Phillips Head Screwdriver.

Step 8

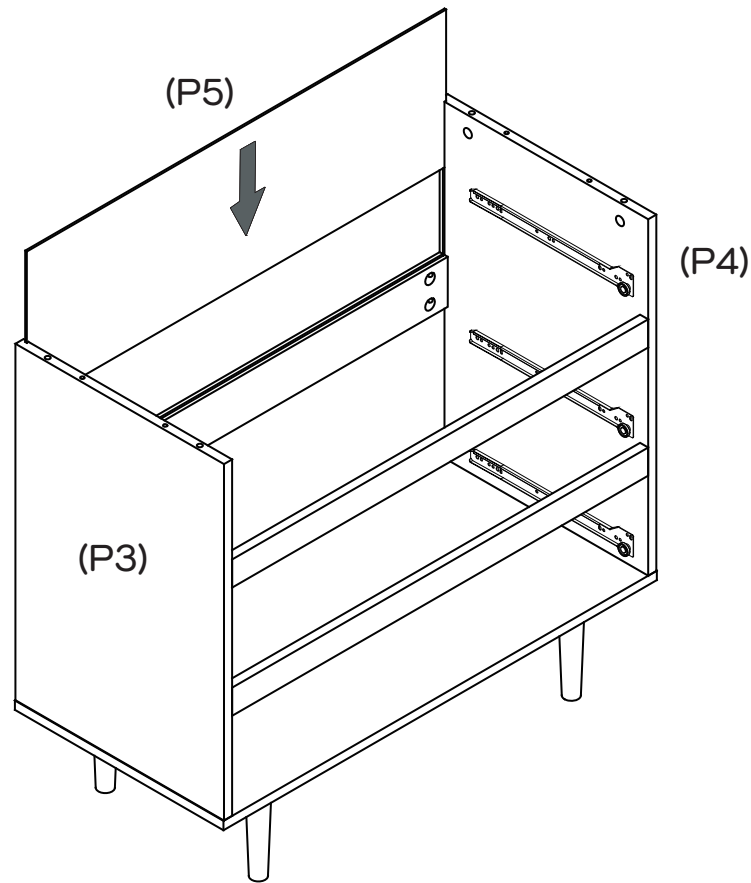
You will need	
	
4 x Leg Plates (H12)	8 x Long Bolts (H13)
	
16 x Short Bolts (H14)	4 x Plastic Glides (H18)
	
1 x Allen Key (H17)	Hammer
	
Phillips Head Screwdriver	



Ensure the countersunk holes on the Leg Plate are facing up, so that the Screws sit flush with the top of the Leg Plate once attached.

Secure 4 x Leg Plates (H12) to 4 x Legs (P8) with 8 x Long Bolts (H13) by tightening with an Allen Key (H17). Attach 4 x Legs (P8) to Bottom Panel (P2) with 16 x Short Bolts (H14) by tightening with an Allen Key (H17). Hammer 4 x Plastic Glides (H18) onto the bottom of Legs (P8).

Step 9



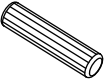


Two People

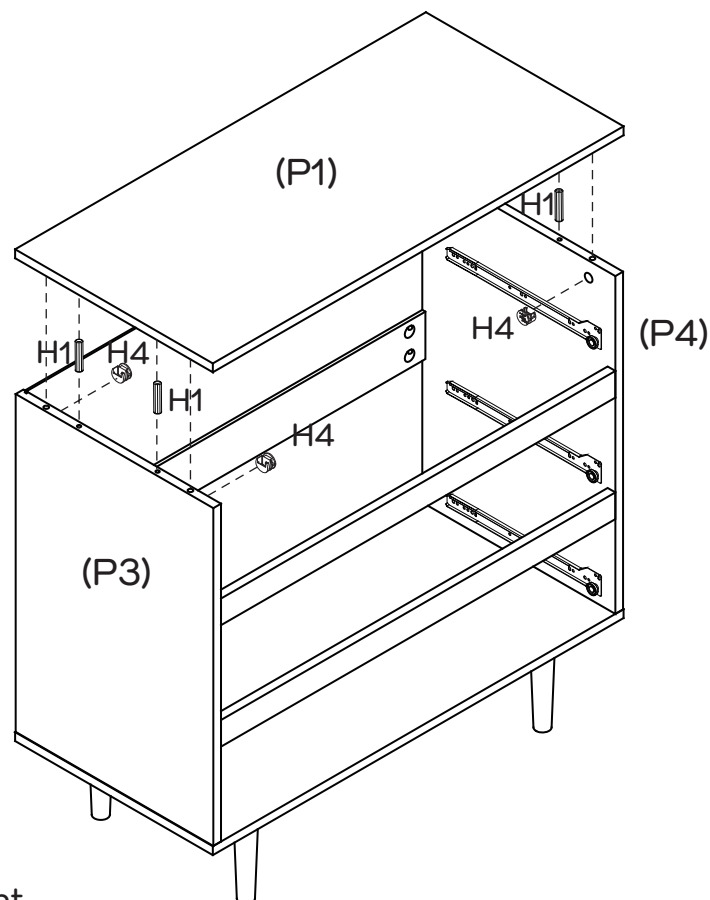


Required

Gently stand the unit upright. Slide 1 x Back Panel (P5) into the grooves of Left & Right Side Panel (P3 & P4).

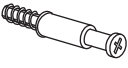

Step 10

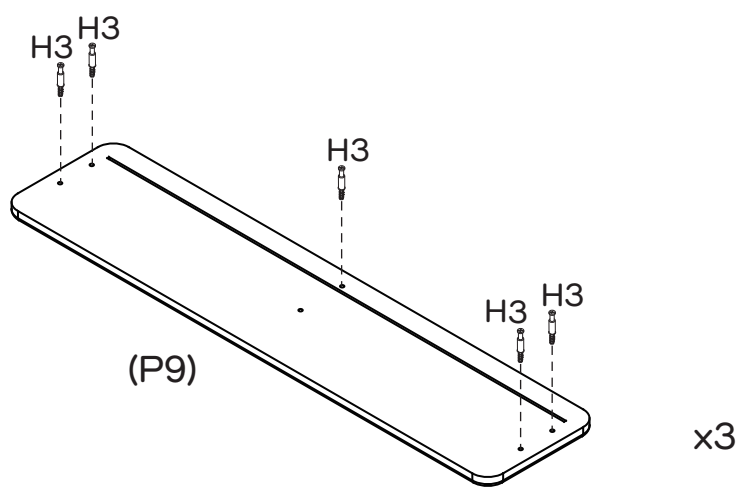
You will need	
	
4 x Dowels (H1)	4 x Cam Nuts (H4)
	
Phillips Head Screwdriver	



Insert 4 x Dowels (H1) into Left & Right Side Panel (P3 & P4).
 Insert 4 x Cam Nuts (H4) into Left & Right Side Panel (P3 & P4).
 Rotate the nuts so the arrows point towards the incoming bolts. Attach Top Panel (P1) to Left & Right Side Panel (P3 & P4) by tightening all nuts with the Phillips Head Screwdriver.



Step 11

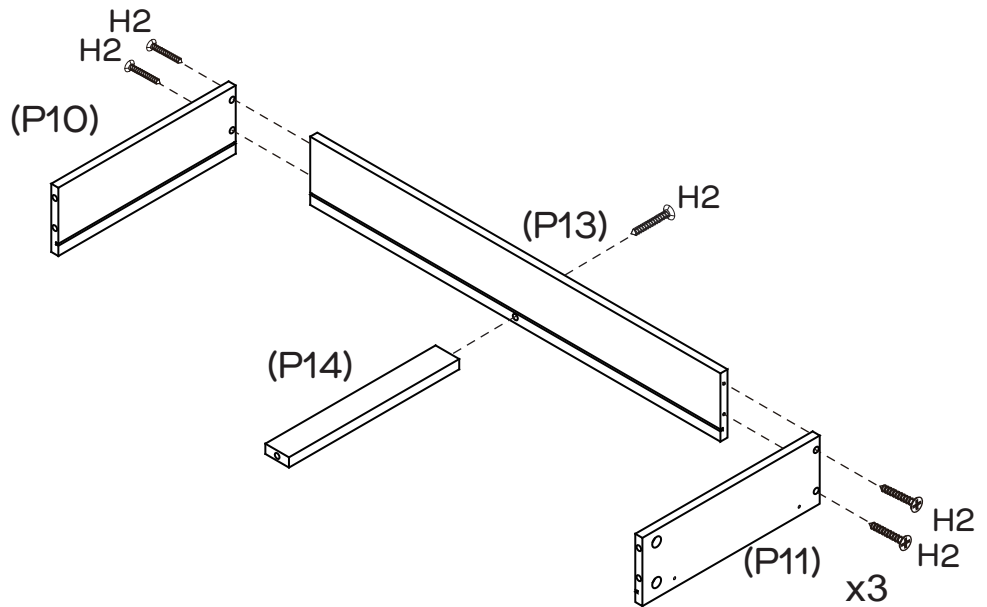
You will need	
	
15 x Cam Bolts (H3)	Phillips Head Screwdriver



Attach 15 x Cam Bolts (H3) to Drawer Front Panels (P9 x 3) by tightening with the Phillips Head Screwdriver.

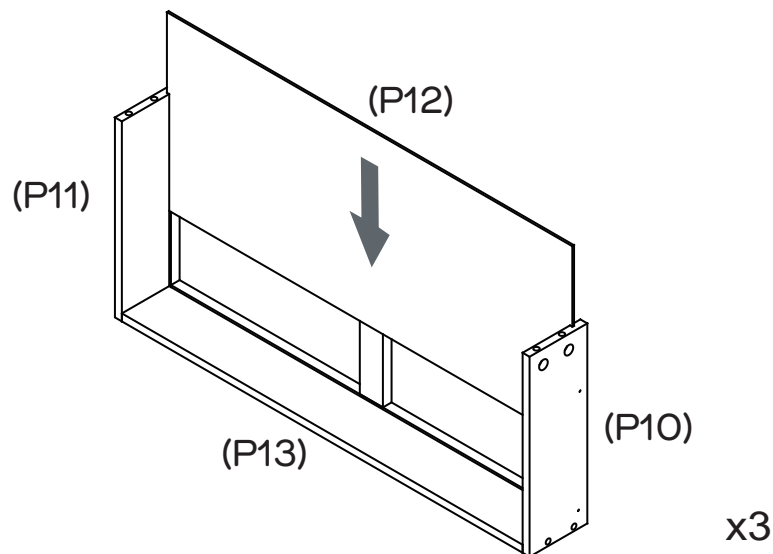
Step 12

You will need	
	
15 x Long Screws (H2)	Phillips Head Screwdriver





Attach Left & Right Drawer Side (P10 x 3 & P11 x 3) and Support Rail (P14 x 3) to Drawer Back (P13 x 3) with 15 x Long Screws (H2) by tightening with the Phillips Head Screwdriver.

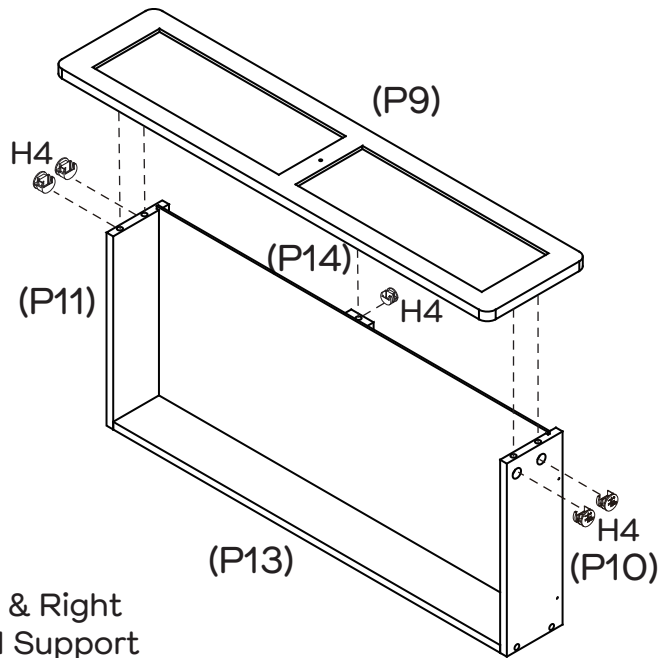
Step 13



Slide the Drawer Bases (P12 x 3) into the grooves of Left & Right Drawer Sides (P10 x 3 & P11 x 3) as shown.

Step 14

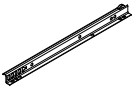
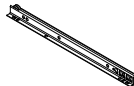


You will need	
	
15 x Cam Nuts (H4)	Phillips Head Screwdriver

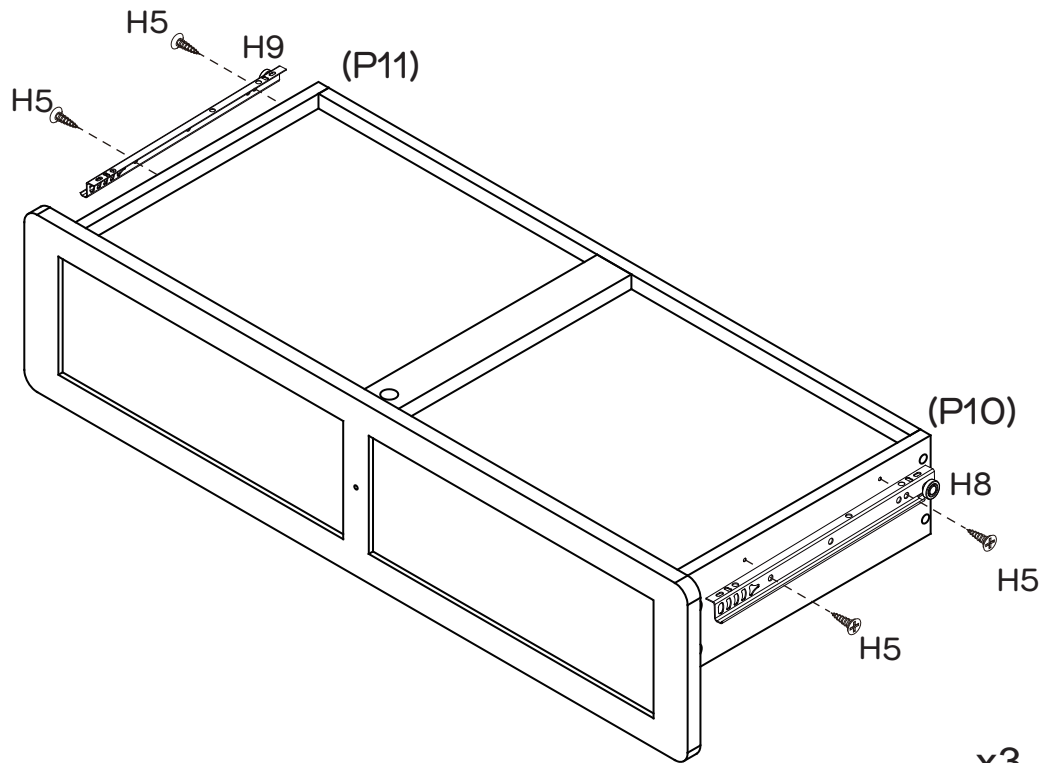


Insert 15 x Cam Nuts (H4) into Left & Right Drawer Side (P10 x 3 & P11 x 3) and Support Rail (P14 x 3) as shown. Rotate the cam nuts so the arrows point towards the incoming cam bolts. Attach Drawer Front (P9 x 3) to Left & Right Drawer Side (P10 x 3 & P11 x 3) and Support Rail (P14 x 3) by tightening all cam nuts with the Phillips Head Screwdriver.

x3

Step 15




You will need	
	
3 x DL Runners (H8)	3 x DR Runners (H9)
	
12 x Small Screws (H5)	Phillips Head Screwdriver

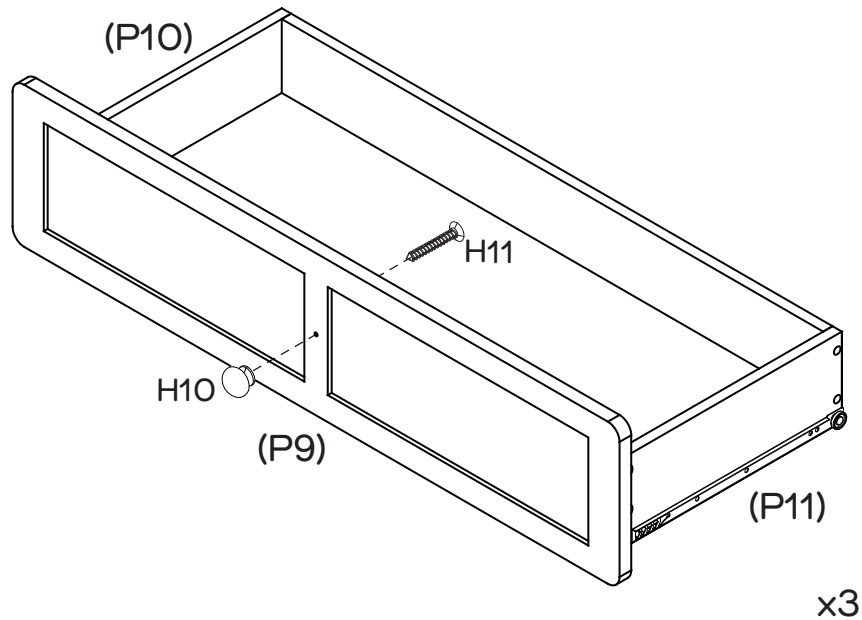


Attach 3 x DL Runners (H8) to the bottom of Left Drawer Side (P10 x 3) and 3 x DR Runner (H9) to the bottom of Right Drawer Side (P11 x 3) with 12 x Small Screws (H5) by tightening with the Phillips Head Screwdriver.

x3

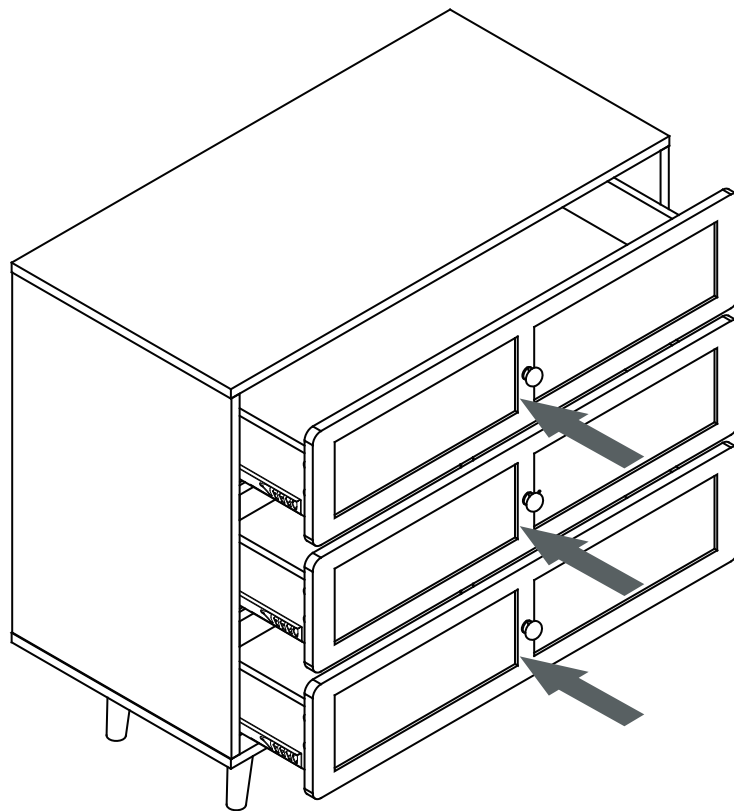
Step 16

You will need	
	
3 x Handle Screws (H11)	3 x Handles (H10)
	
Phillips Head Screwdriver	



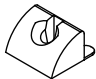


Attach 3 x Handles (H10) to Drawer Front (P9 x 3) with 3 x Handle Screws (H11) by tightening with the Phillips Head Screwdriver.

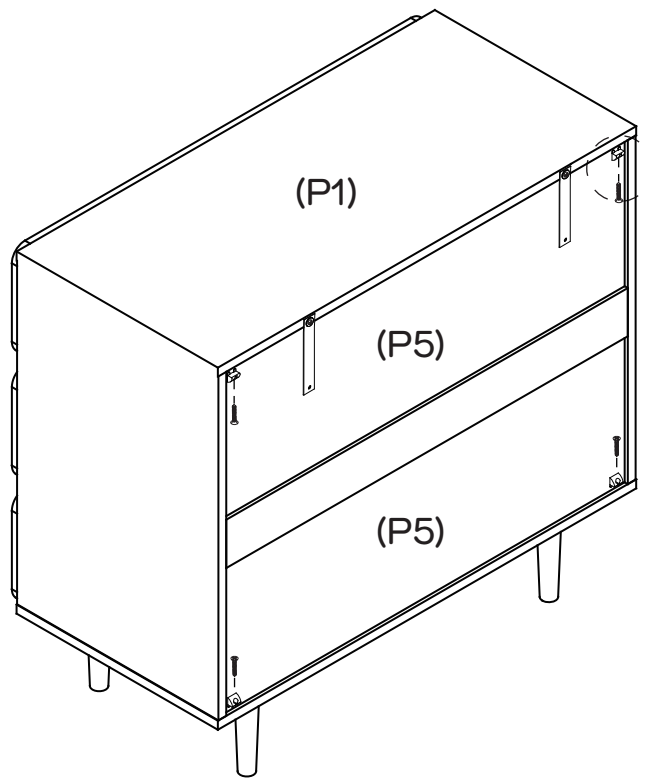
Step 17



Insert the assembled drawers into the corresponding compartments as shown. Ensure the drawers slide easily along the rails.



Step 18

You will need	
	
4 x Wedges (H15)	4 x Wedge Screws (H16)
	
Phillips Head Screwdriver	

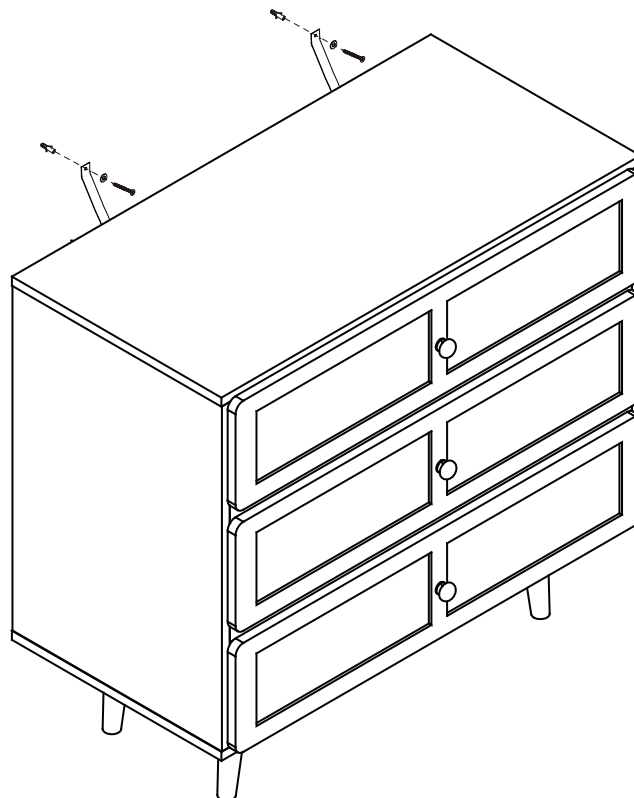


Secure Back Panels (P5 x 2) in place with 4 x Wedges (H15) using 4 x Wedge Screws (H16) by tightening with the Phillips Head Screwdriver.

Step 19

You will need	
	
2 x Washers (H19)	Phillips Head Screwdriver
Screw and Wall Plug are not provided. Please use appropriate fixtures for your wall.	

Seek advice from a qualified trades person on how to attach this safety strap to your specific wall.



Move the unit to the final position, and attach the safety strap to the wall securely. Make sure it is firmly attached and snug fit.

Job Complete!

In the interest of our environment please dispose of all packaging thoughtfully.