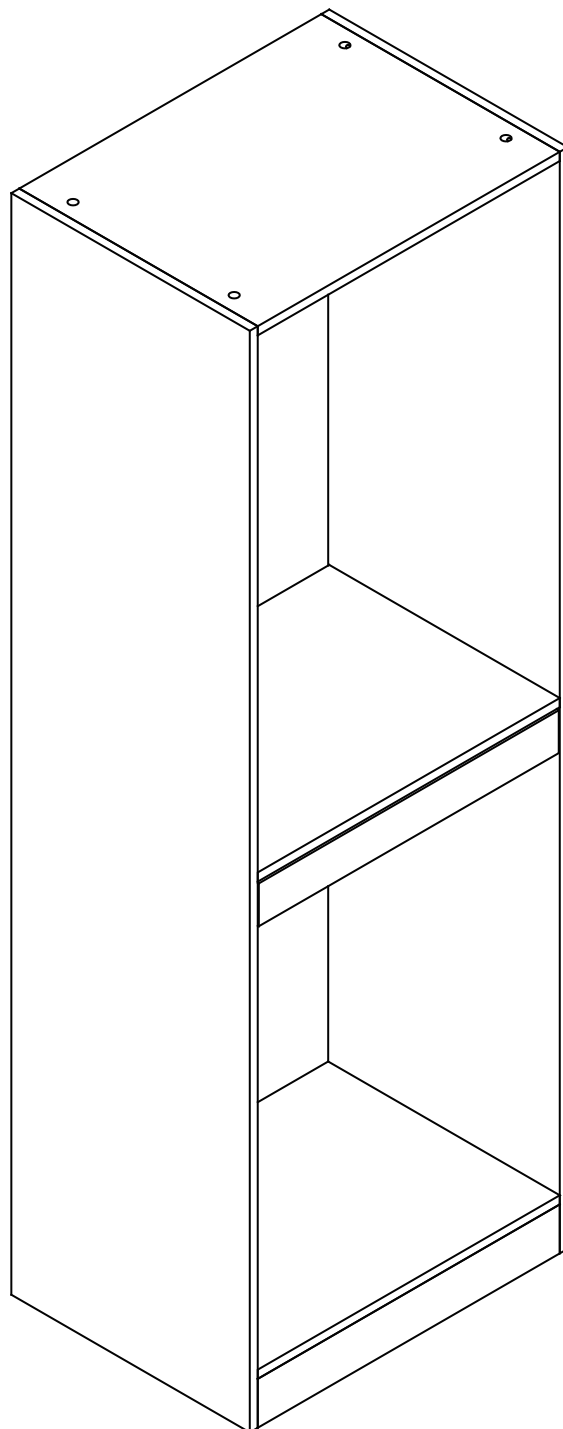




**Fantastic
Furniture**

Version 1.0



Eden

Utility Pants Storage Clothes Rack

fantasticfurniture.com.au

Recommended weight capacity : 15kg/hanging rail
or drawer rack.



**WARNING: ENSURE THE WALL STRAP IS ATTACHED TO
AVOID SERIOUS INJURY.**

To avoid any serious or fatal injury, this product has been supplied with a wall strap to prevent toppling. We strongly recommend that this product is permanently fixed to the wall or other suitable surface. Connecting attachments for your wall are not included since different surface materials require different attachments. Please seek professional advice if you are in doubt of what wall connections to use.

Looks like you've found your Fantastic!

We're thrilled you've chosen Fantastic Furniture
to help create a home you'll love!



Fantastic Furniture

Love it? Share it!

Fantastic buy! Share how it looks at home on Instagram for
your chance to win a \$250 Fantastic Furniture Gift Card!

@fantasticfurniture

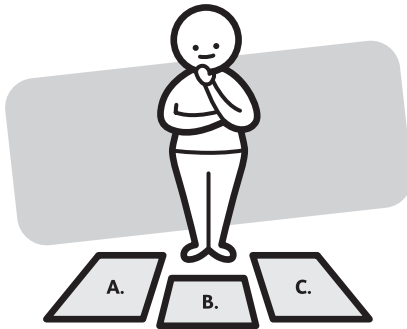
Assembly Checklist



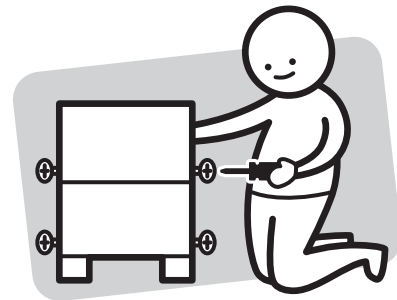
Read through the instructions carefully before you begin.



Make sure you have all the required tools. Never use power tools unless instructed.



Identify and lay out all of the components before you begin assembly.



Unless instructed, do not fully tighten screws until the item is fully assembled.

Useful Information

- ! Never use power tools unless specifically instructed. They can damage your components or hardware if used incorrectly.
- ! The most common mistakes made during assembly are using the wrong hardware or getting components back to front.
- ! Always use a soft surface (such as carpet or cardboard) when assembling your product to avoid scratching or damaging the surface of the product.
- ! Bulky items such as wardrobes and bunk beds should be assembled in the room they will be used in as they may not fit through a door once assembled.
- ! Never use any glue until you are certain that the parts belong together.
- ! Periodically check and re-tighten all fasteners. Check the product care label or website for product care instructions.
- ! If you are having any difficulties assembling your product, missing any hardware or components please visit our website Help Centre for further assistance.
- ! Please see page 2 for any safety requirements or weight restrictions.

What you need

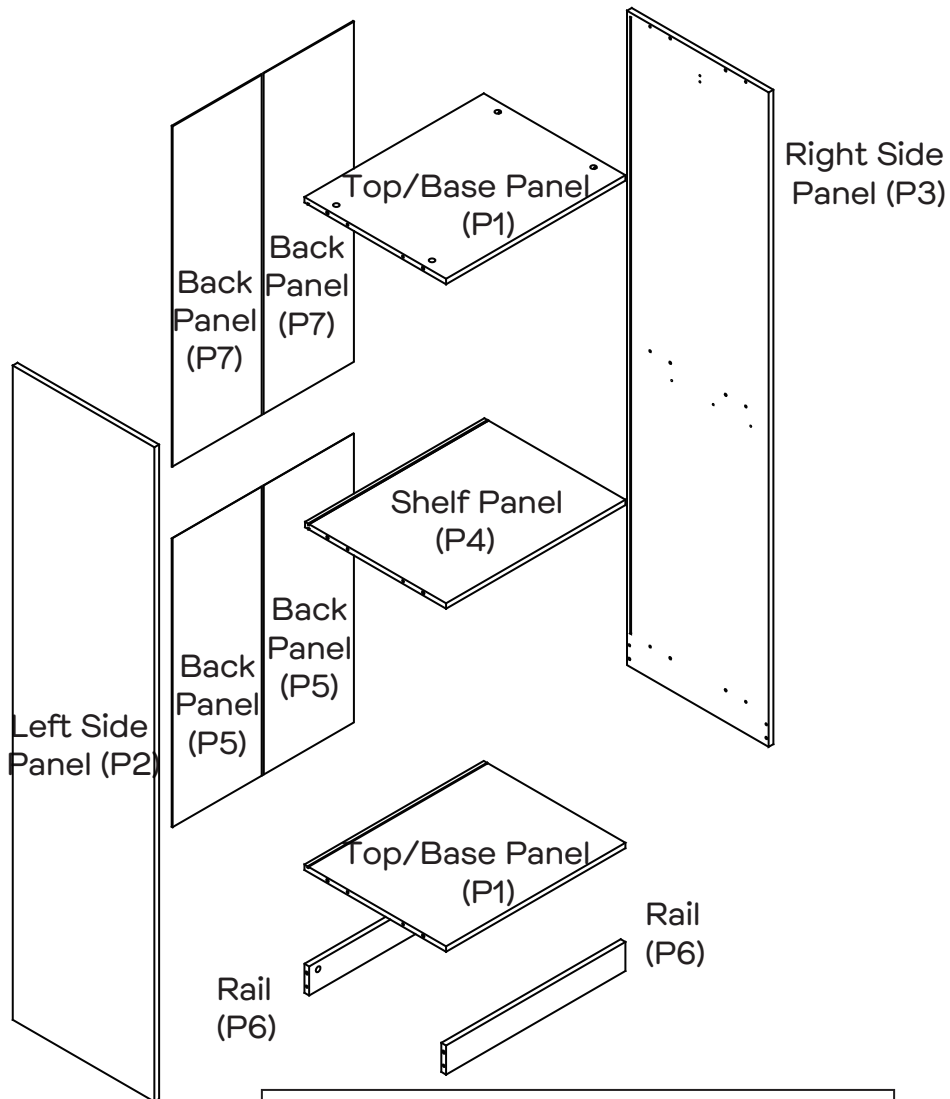
to assemble the product



DO NOT USE

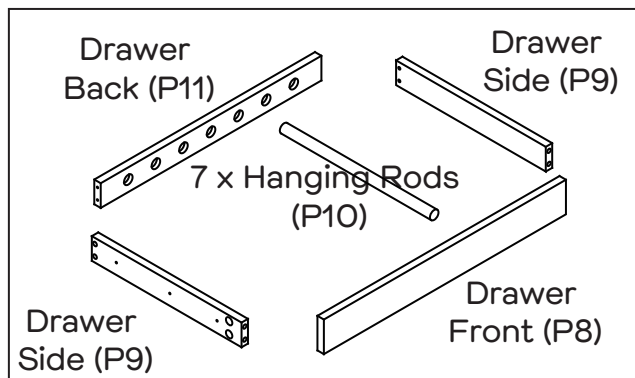


Other tools you need:
Phillips head screwdriver;
Hammer

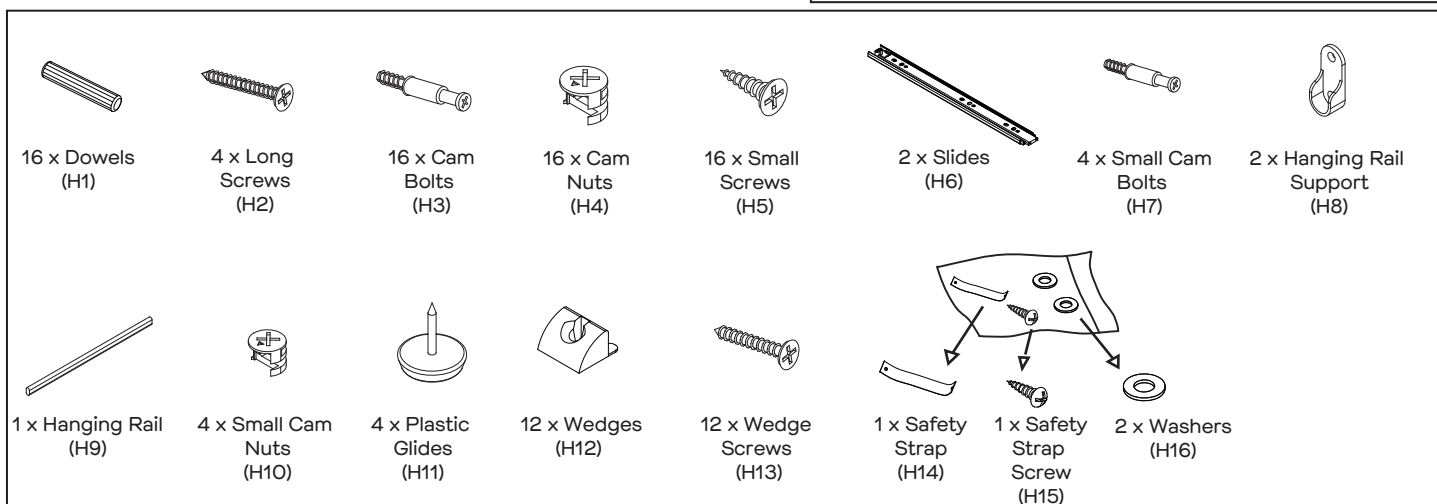


Parts list

- 2 x Top/Base Panels (P1);
- Left Side Panel (P2);
- Right Side Panel (P3);
- Shelf Panel (P4);
- 2 x Back Panels (P5);
- 2 x Rails (P6);
- 2 x Back Panels (P7);
- Drawer Front (P8);
- 2 x Drawer Sides (P9);
- 7 x Hanging Rods (P10);
- Drawer Back (P11)

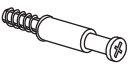

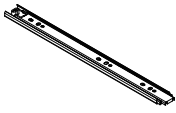



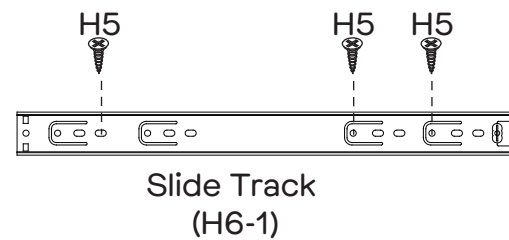
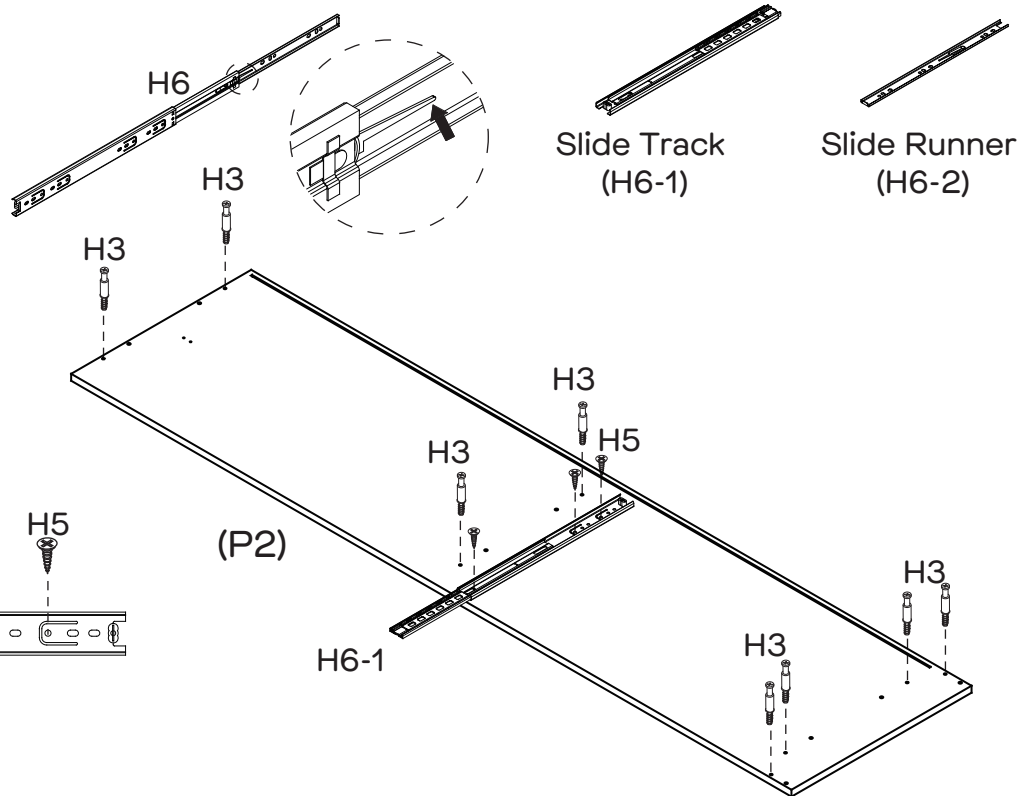
Hardware pack



Step 1

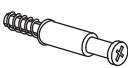

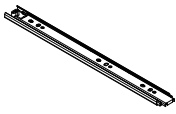

Separate the slide runners (H6-2) and slide tracks (H6-1) from Slide (H6) by following the steps below. Extend the slide runner all the way forward. Press the plastic release lever of the slide down and pull the slide runner (H6-2) completely out.

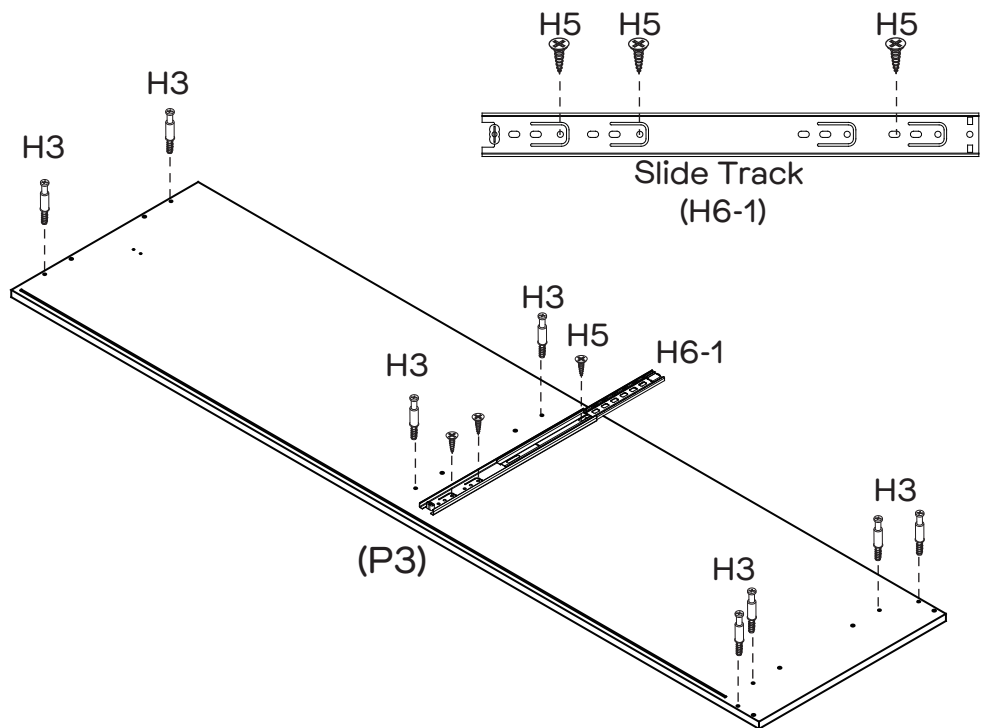
You will need	
	
8 x Cam Bolts (H3)	3 x Small Screws (H5)
	
1 x Slide (H6)	Phillips Head Screwdriver



Attach 8 x Cam Bolts (H3) to Left Side Panel (P2) as shown by tightening with the Phillips Head Screwdriver. Attach 1 x Slide Track (H6-1) to Left Side Panel (P2) with 3 x Small Screws (H5) as shown by tightening with the Phillips Head Screwdriver.

Step 2

You will need	
	
8 x Cam Bolts (H3)	3 x Small Screws (H5)
	
1 x Slide (H6)	Phillips Head Screwdriver

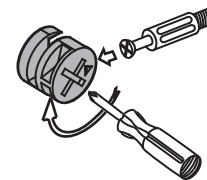


Attach 8 x Cam Bolts (H3) to Right Side Panel (P3) as shown by tightening with the Phillips Head Screwdriver. Attach 1 x Slide Track (H6-1) to Right Side Panel (P3) with 3 x Small Screws (H5) by as shown tightening with the Phillips Head Screwdriver.

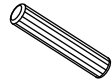


Step 3

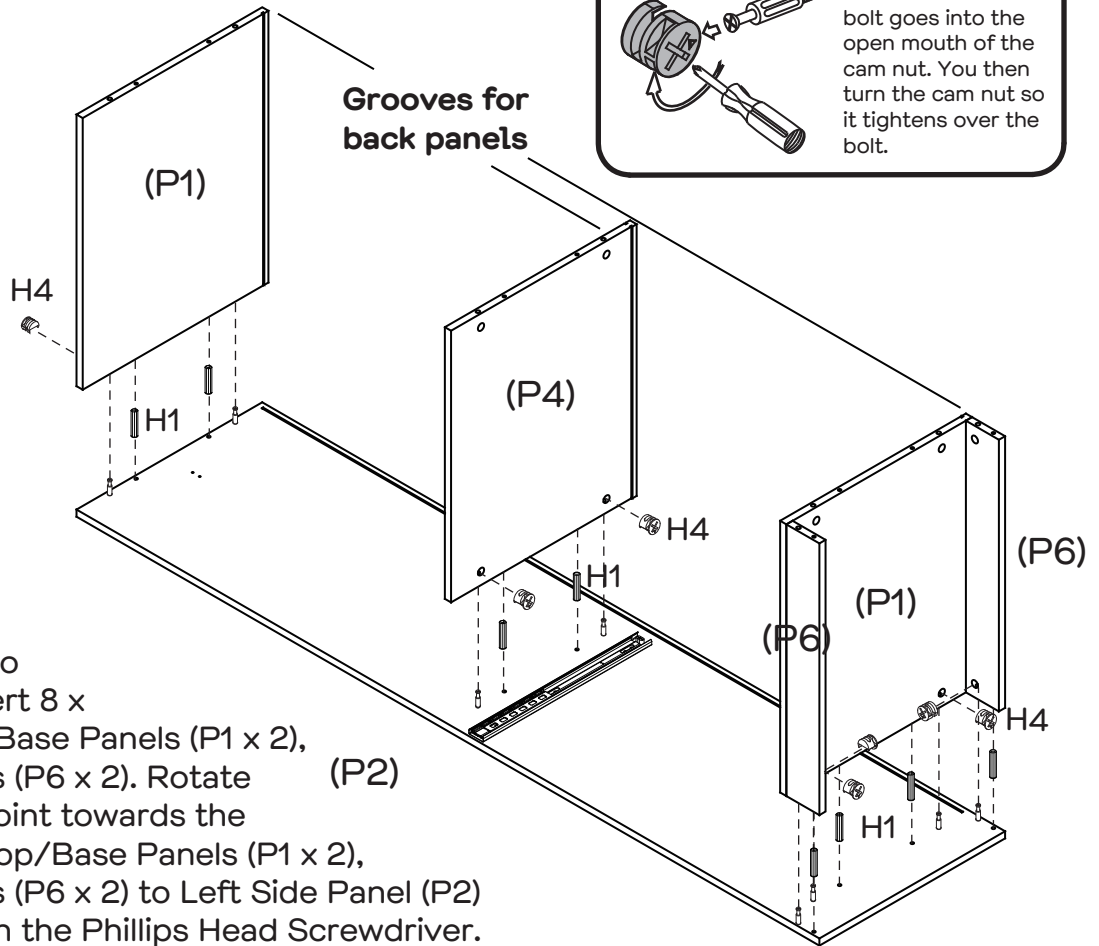
Ensure the grooves in the Top/Base Panels (P6 x 2) and Shelf Panel (P4) are located at the back of the unit.

This is how a cam nut works.....



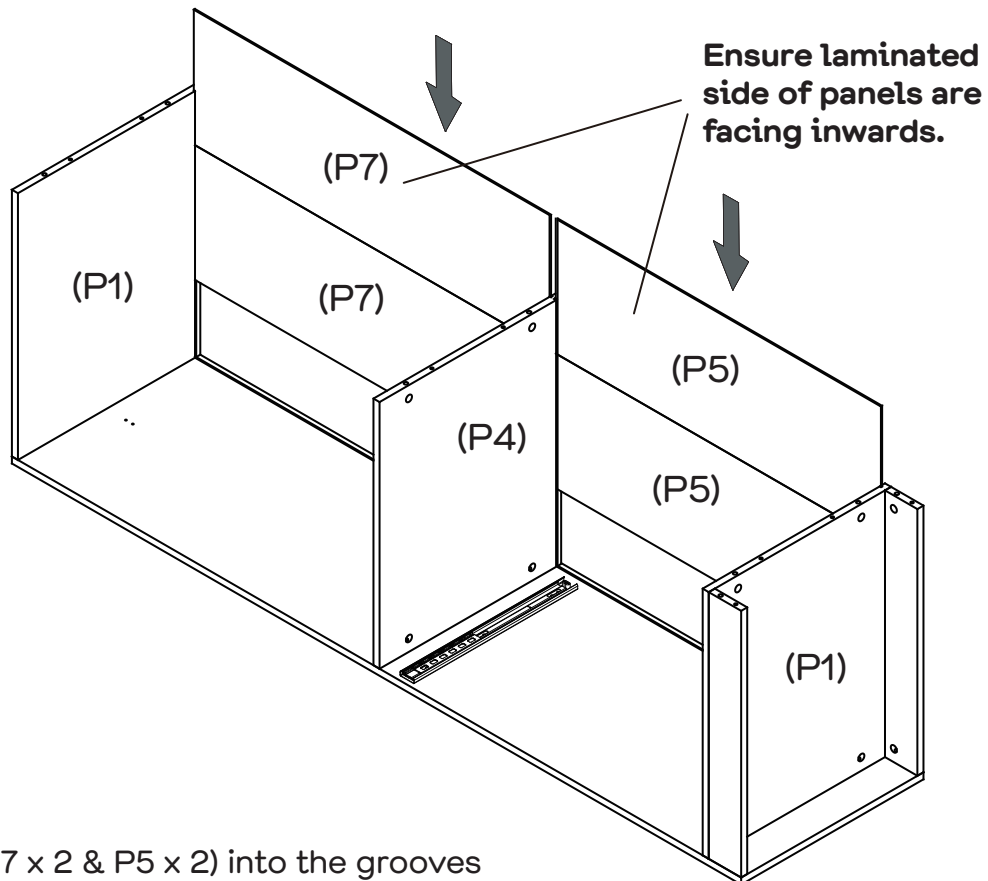
The head of the cam bolt goes into the open mouth of the cam nut. You then turn the cam nut so it tightens over the bolt.

You will need	
	
8 x Dowels (H1)	8 x Cam Nuts (H4)
	
Phillips Head Screwdriver	



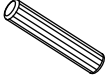


Insert 8 x Dowels (H1) into Left Side Panel (P2). Insert 8 x Cam Nuts (H4) into Top/Base Panels (P1 x 2), Shelf Panel (P4) and Rails (P6 x 2). Rotate the nuts so the arrows point towards the incoming bolts. Attach Top/Base Panels (P1 x 2), Shelf Panel (P4) and Rails (P6 x 2) to Left Side Panel (P2) by tightening all nuts with the Phillips Head Screwdriver.

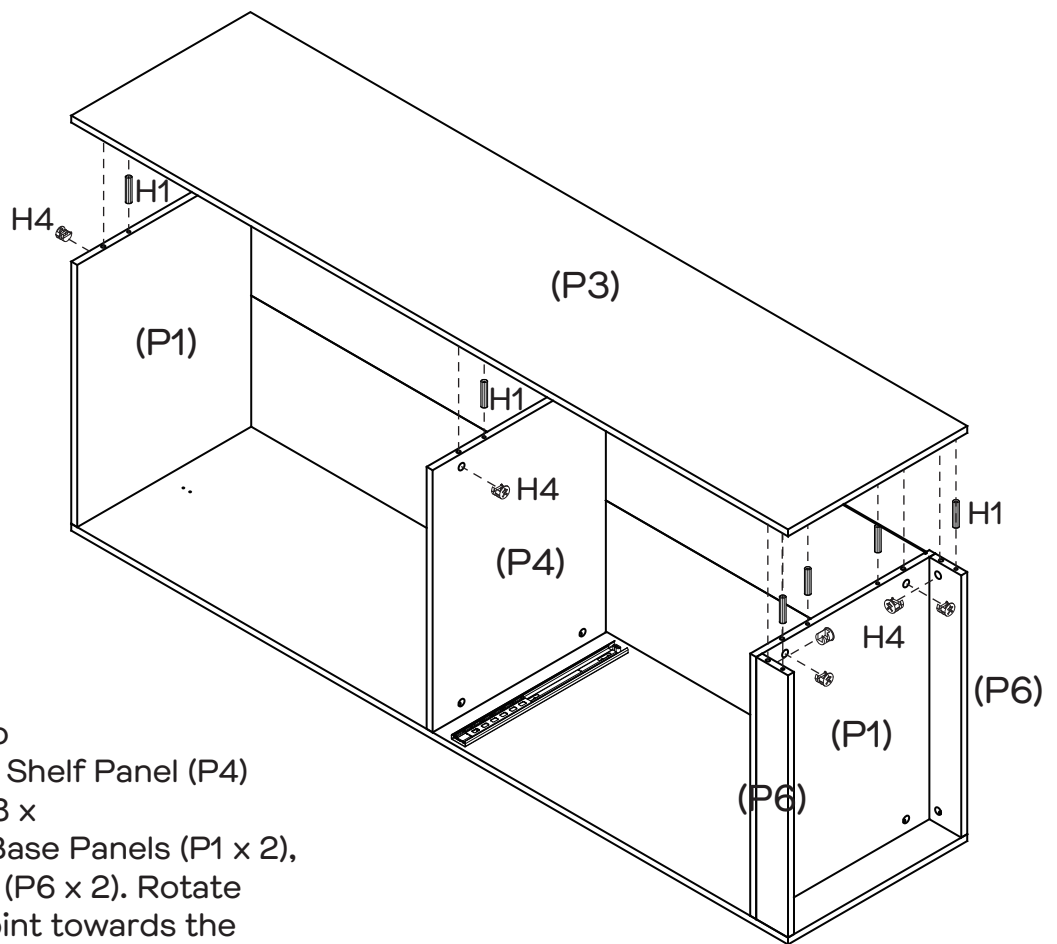
Step 4



Slide Back Panels (P7 x 2 & P5 x 2) into the grooves of Top/Base Panels (P1 x 2) and Shelf Panel (P4).



Step 5

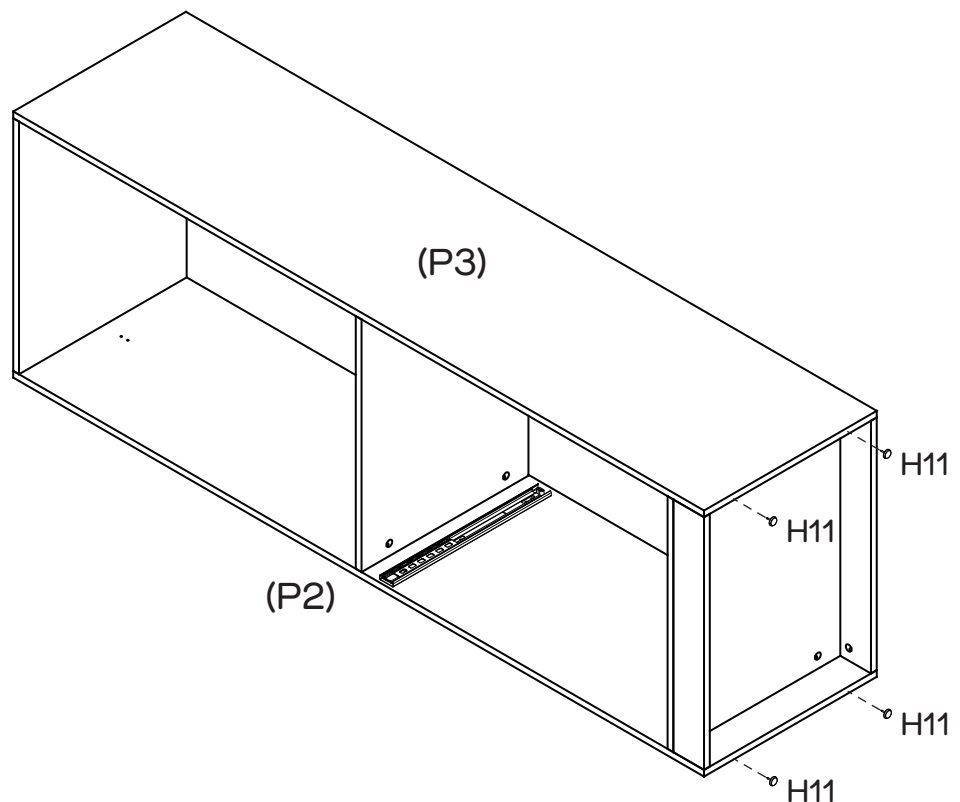
You will need	
	
8 x Dowels (H1)	8 x Cam Nuts (H4)
	
Phillips Head Screwdriver	



Insert 8 x Dowels (H1) into Top/Base Panels (P1 x 2), Shelf Panel (P4) and Rails (P6 x 2). Insert 8 x Cam Nuts (H4) into Top/Base Panels (P1 x 2), Shelf Panel (P4) and Rails (P6 x 2). Rotate the nuts so the arrows point towards the incoming bolts. Attach Right Side Panel (P3) to Top/Base Panels (P1 x 2), Shelf Panel (P4) and Rails (P6 x 2) by tightening all nuts with the Phillips Head Screwdriver.



Step 6

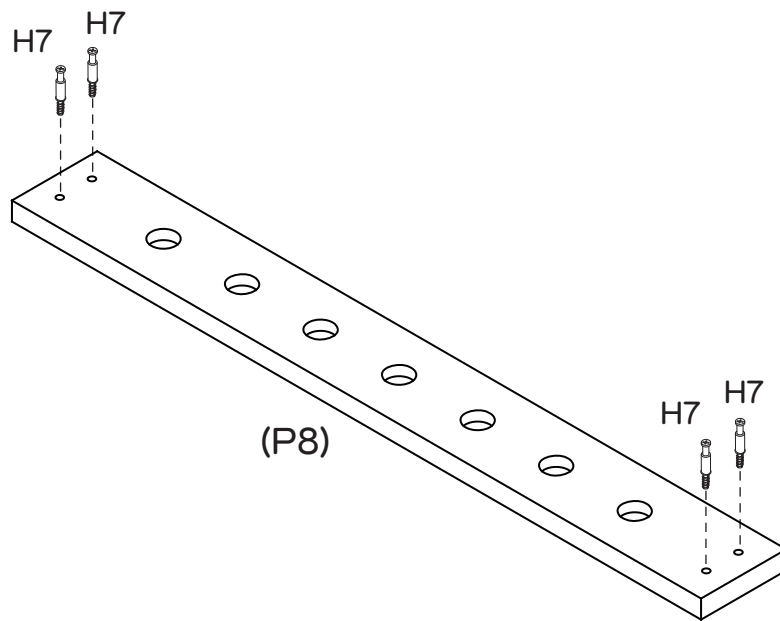
You will need	
	
4 x Plastic Glides (H11)	Hammer



Secure 4 x Plastic Glides (H11) to the bottom of Left & Right Side Panels (P2 & P3) as shown using the Hammer.



Step 7

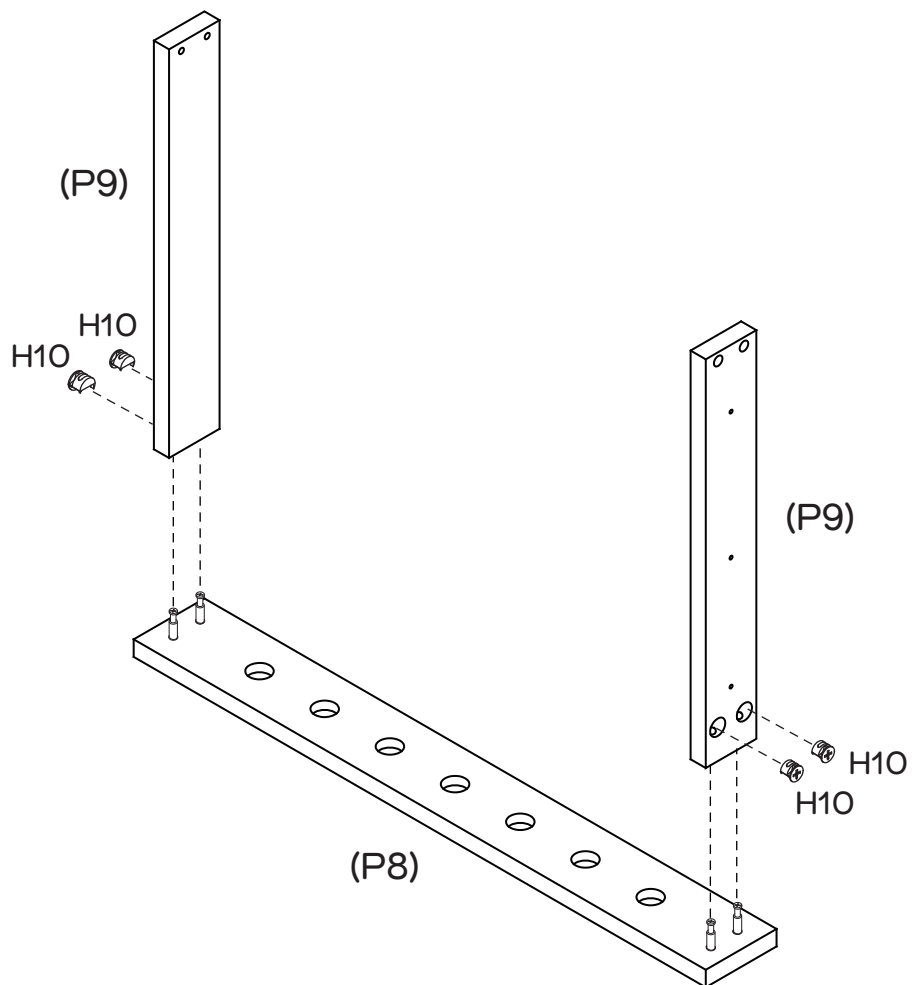
You will need	
	
4 x Small Cam Bolts (H7)	Phillips Head Screwdriver



Attach 4 x Small Cam Bolts (H7) to Drawer Front (P8) as shown by tightening with the Phillips Head Screwdriver.

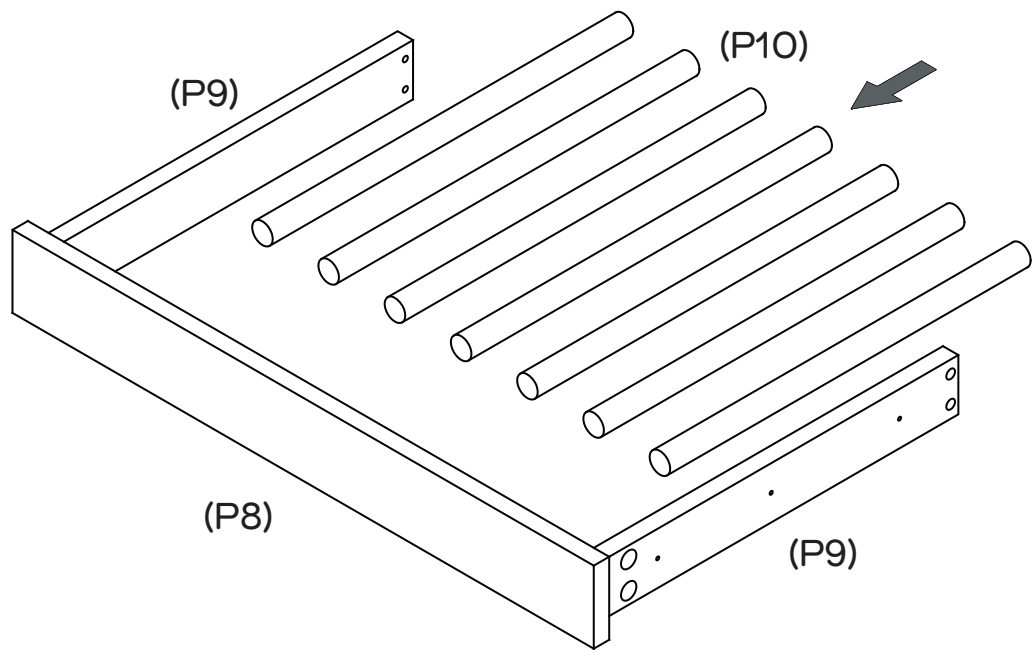
Step 8

You will need	
	
4 x Small Cam Nuts (H10)	Phillips Head Screwdriver




Insert 4 x Small Cam Nuts (H10) into the holes of Drawer Sides (P9 x 2). Rotate the cam nuts so the arrows point towards the incoming cam bolts. Attach Drawer Sides (P9 x 2) to Drawer Front (P8) by tightening the cam nuts with the Phillips Head Screwdriver.

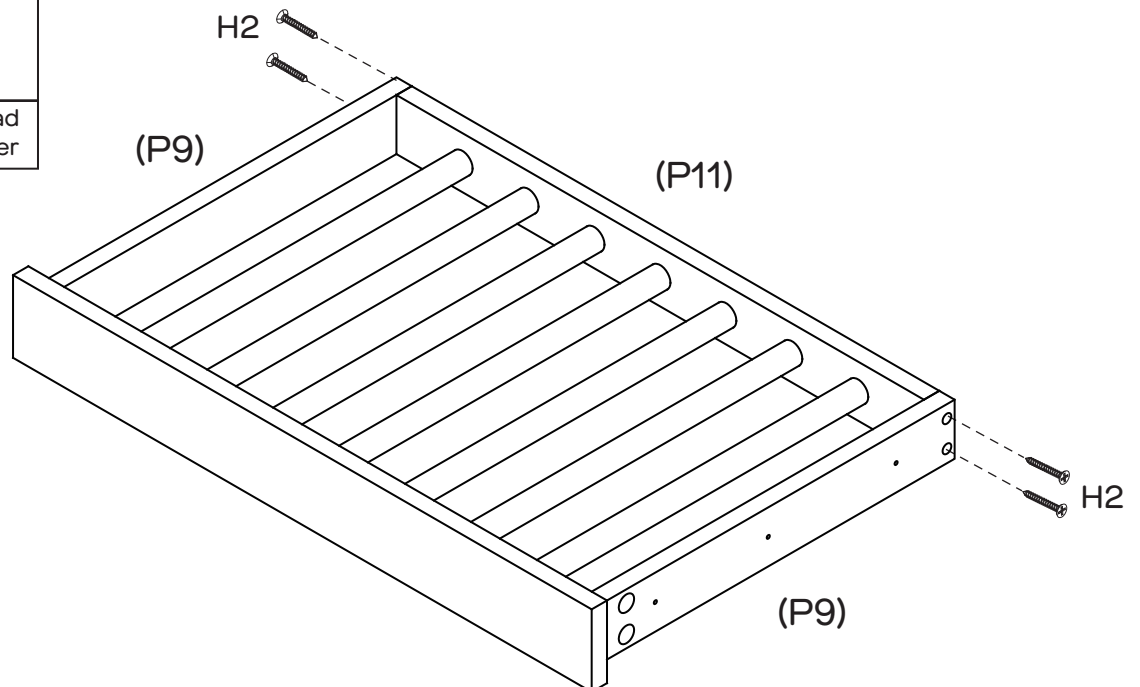
Step 9



Insert 7 x Hanging Rods (P10) into the holes of Drawer Front (H8) as shown.




Step 10

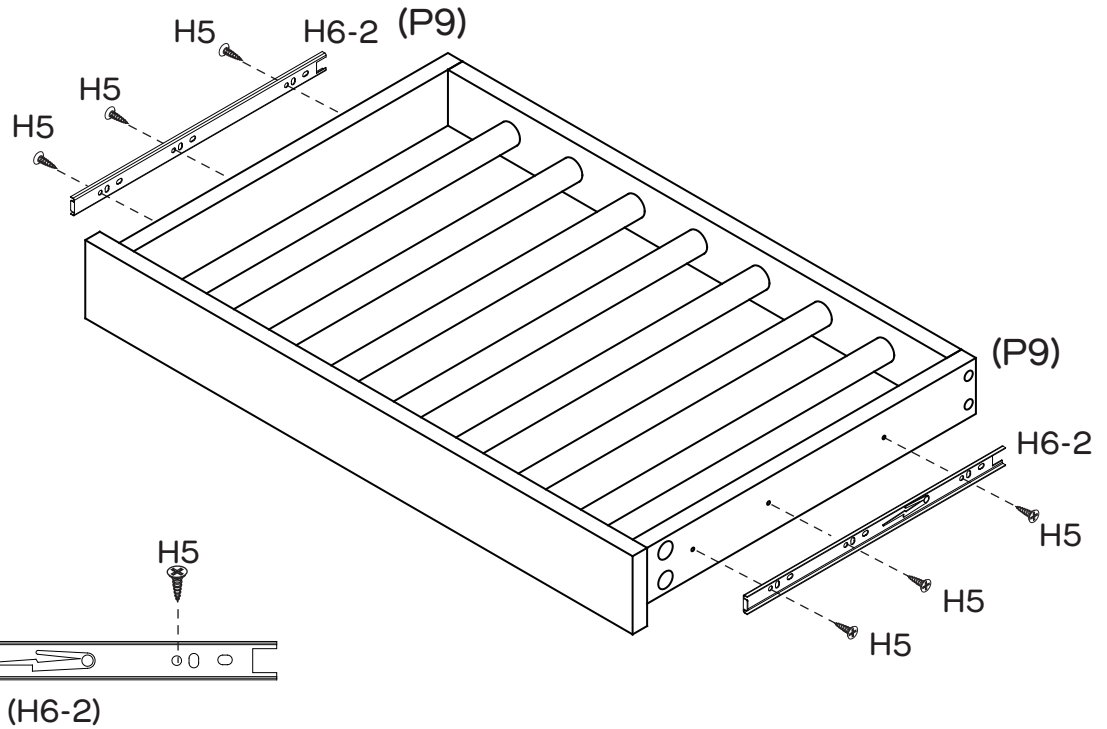
You will need	
	
4 x Long Screws (H2)	Phillips Head Screwdriver



Attach Drawer Back (P11) to Drawer Sides (P9 x 2) with 4 x Long Screws (H2) by tightening with the Phillips Head Screwdriver.

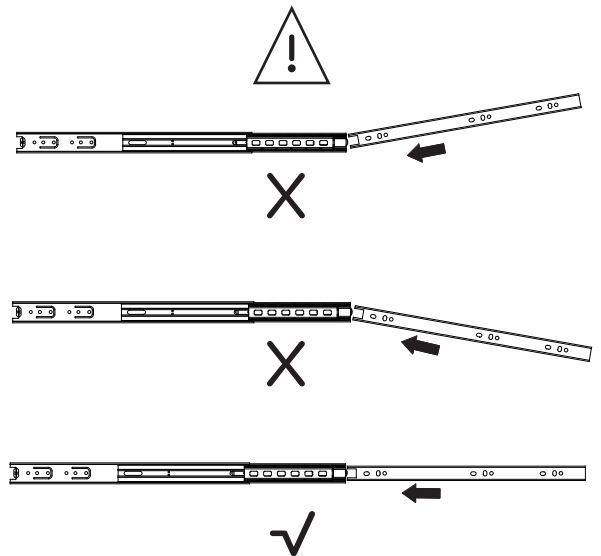
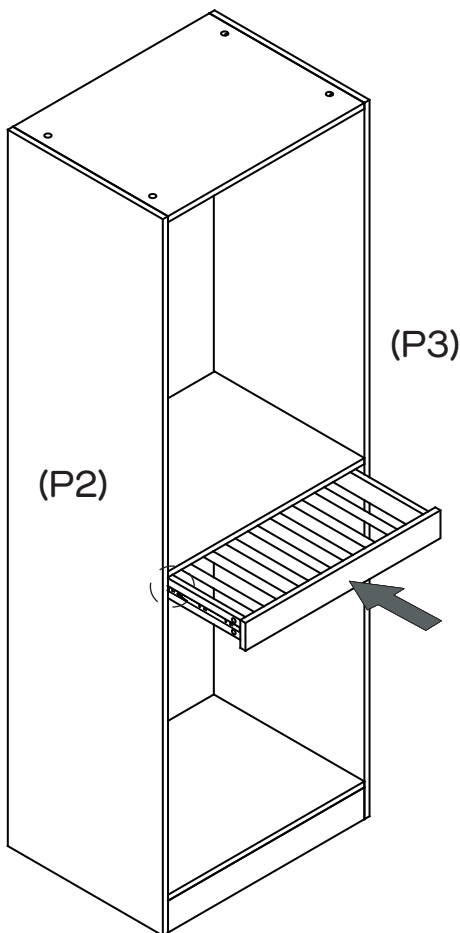
Step 11

You will need	
	
6 x Small Screws (H5)	2 x Slide Runners (H6-2)
	
Phillips Head Screwdriver	



Attach 2 x Slide Runners (H6-2) to Drawer Sides (P9 x 2) with 6 x Small Screws (H5) as shown by tightening with the Phillips Head Screwdriver.

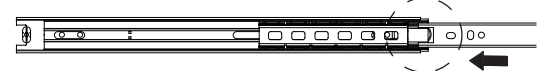
Step 12



Move Inner Ball Bearing Track outward.



Gently Insert Slide Runner into Ball Bearing Track.

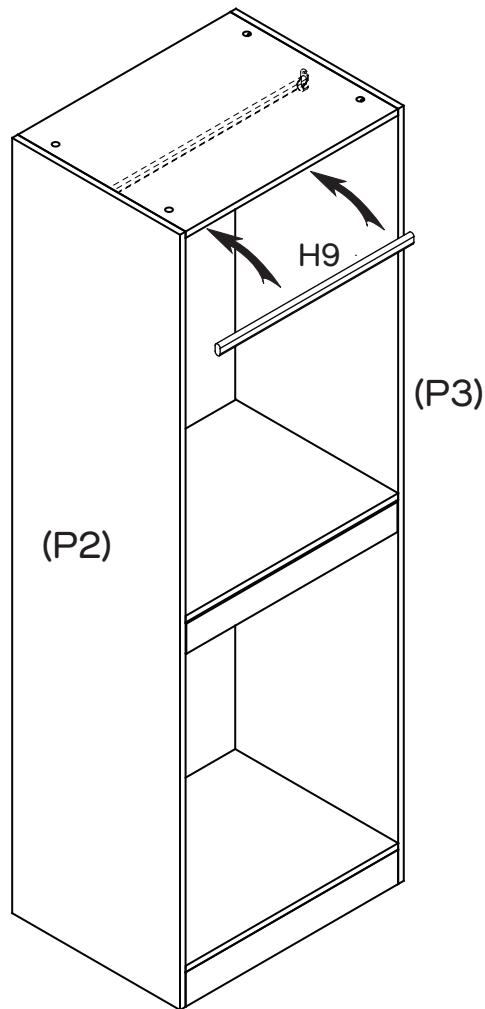


Position drawer so that slide runner (H6-2) aligns with slide track (H6-1) as shown. Gently push drawer into the closed position.

Step 13

You will need	
2 x Hanging Rail Support (H8)	1 x Hanging Rail (H9)
4 x Small Screws (H5)	Phillips Head Screwdriver

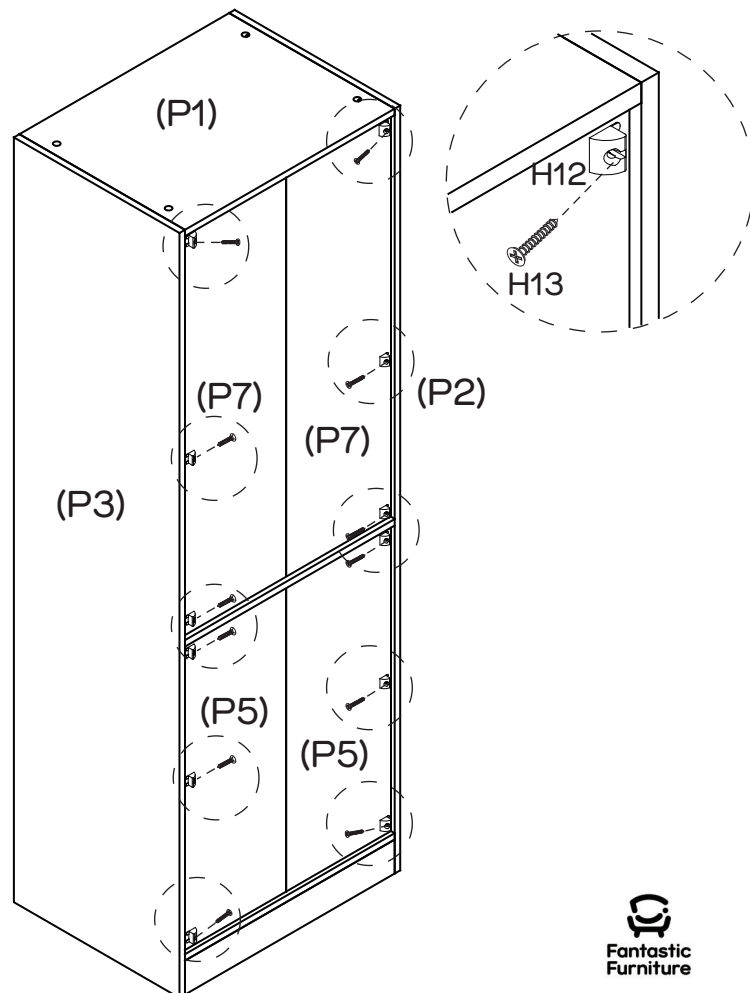
Secure 2 x Hanging Rail Supports to Left & Right Side Panels (P2 & P3) with 4 x Small Screws (H5) as shown by tightening with the Phillips Head Screwdriver. Place the Hanging Rail (H9) in the unit by resting it on the Hanging Rail Supports (H8 x 2).






Step 14

You will need	
12 x Wedges (H12)	12 x Wedge Screws (H13)
Phillips Head Screwdriver	

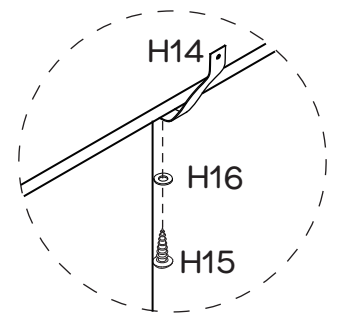
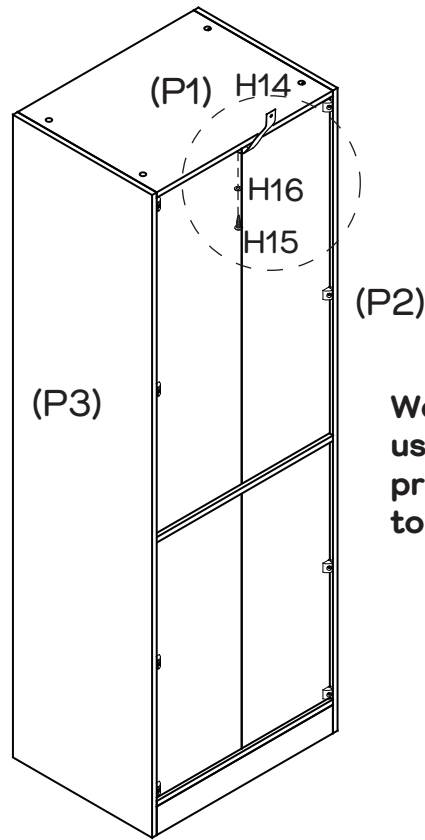
Secure Back Panels (P7 x 2 & P5 x 2) in place with 12 x Wedges (H12) and 12 x Wedge Screws (H13) by tightening with the Phillips Head Screwdriver.



Step 15



You will need	
	
1 x Safety Strap (H14)	1 x Safety Strap Screw (H15)
	
1 x Washer (H16)	Phillips Head Screwdriver

Attach the Safety Strap (H14) to the Top Panel (P1) with 1 x Safety Strap Screw (H15) & 1 x Washer (H16) by tightening with the Phillips Head Screwdriver.



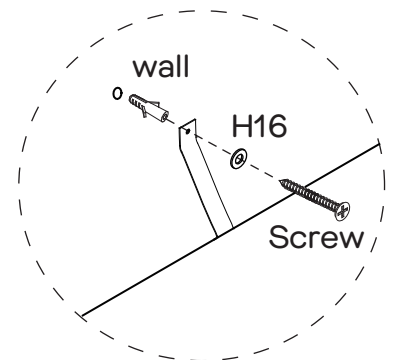
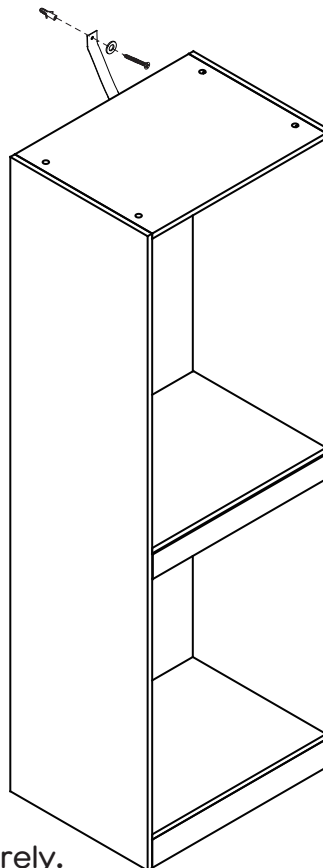
We strongly advise that you use the wall safety strap provided to prevent the unit toppling.

Step 16

You will need	
	
1 x Washer (H16)	Phillips Head Screwdriver
Screw and Wall Plug are not provided. Please use appropriate fixtures for your wall.	

Seek advice from a qualified trades person on how to attach this safety strap to your specific wall.

Move the unit to the final position, and attach the safety strap to the wall securely. Make sure it is firmly attached and snug fit.



Job Complete!

In the interest of our environment please dispose of all packaging thoughtfully.