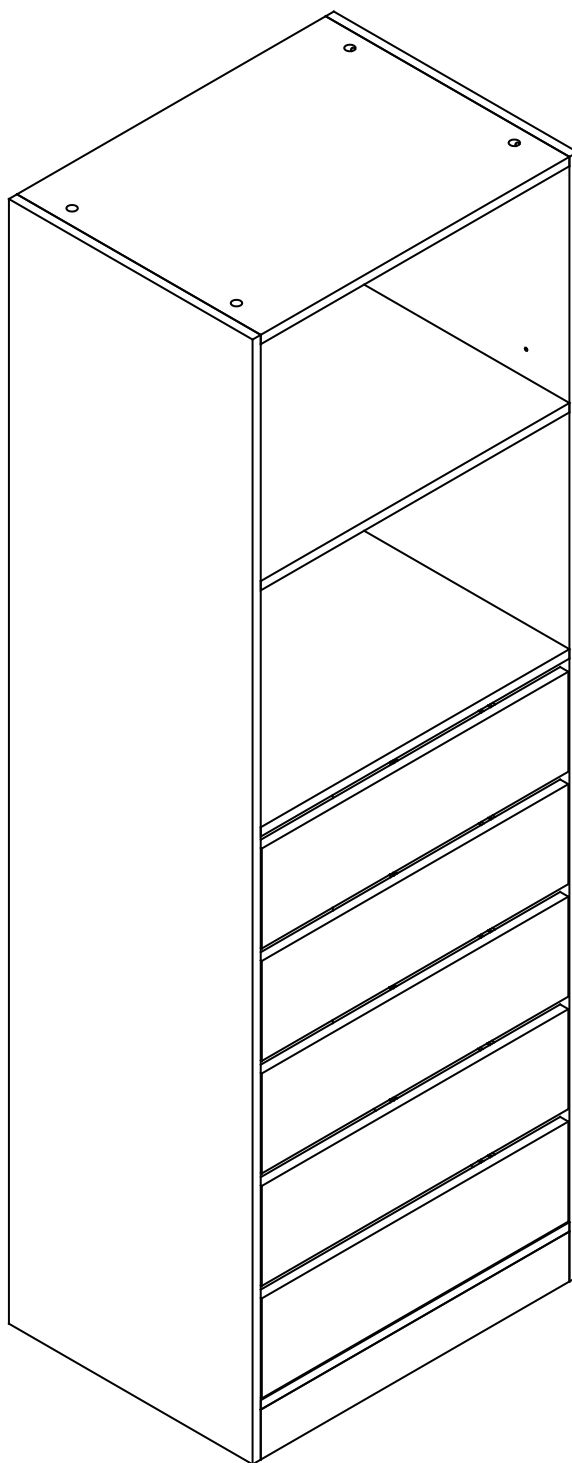




**Fantastic
Furniture**

Version 1.0



Eden
Utility 5 Drawer 2 Shelf

fantasticfurniture.com.au

Recommended weight capacity :15kg/Drawer or Shelf.



**WARNING: ENSURE THE WALL STRAP IS ATTACHED TO
AVOID SERIOUS INJURY.**

To avoid any serious or fatal injury, this product has been supplied with a wall strap to prevent toppling. We strongly recommend that this product is permanently fixed to the wall or other suitable surface. Connecting attachments for your wall are not included since different surface materials require different attachments. Please seek professional advice if you are in doubt of what wall connections to use.

Looks like you've found your Fantastic!

We're thrilled you've chosen Fantastic Furniture
to help create a home you'll love!



Fantastic Furniture

Love it? Share it!

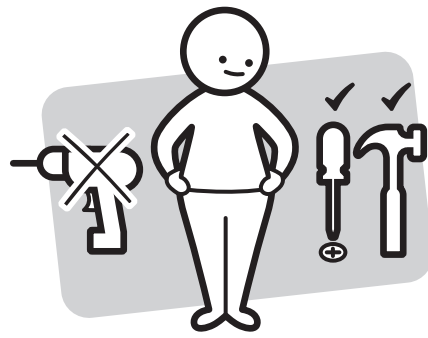
Fantastic buy! Share how it looks at home on Instagram for
your chance to win a \$250 Fantastic Furniture Gift Card!

@fantasticfurniture

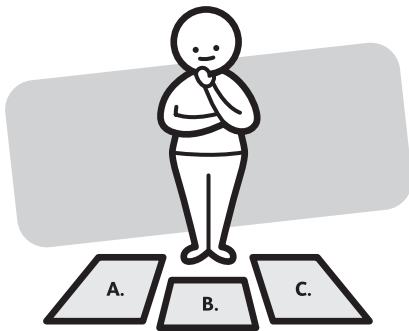
Assembly Checklist



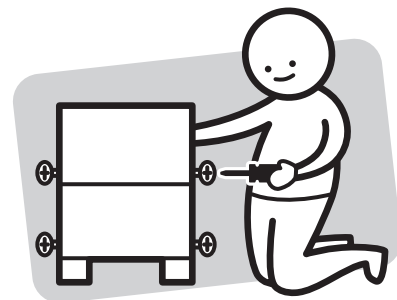
Read through the instructions carefully before you begin.



Make sure you have all the required tools. Never use power tools unless instructed.



Identify and lay out all of the components before you begin assembly.



Unless instructed, do not fully tighten screws until the item is fully assembled.

Useful Information

- ! Never use power tools unless specifically instructed. They can damage your components or hardware if used incorrectly.
- ! The most common mistakes made during assembly are using the wrong hardware or getting components back to front.
- ! Always use a soft surface (such as carpet or cardboard) when assembling your product to avoid scratching or damaging the surface of the product.
- ! Bulky items such as wardrobes and bunk beds should be assembled in the room they will be used in as they may not fit through a door once assembled.
- ! Never use any glue until you are certain that the parts belong together.
- ! Periodically check and re-tighten all fasteners. Check the product care label or website for product care instructions.
- ! If you are having any difficulties assembling your product, missing any hardware or components please visit our website Help Centre for further assistance.
- ! Please see page 2 for any safety requirements or weight restrictions.

What you need

to assemble the product

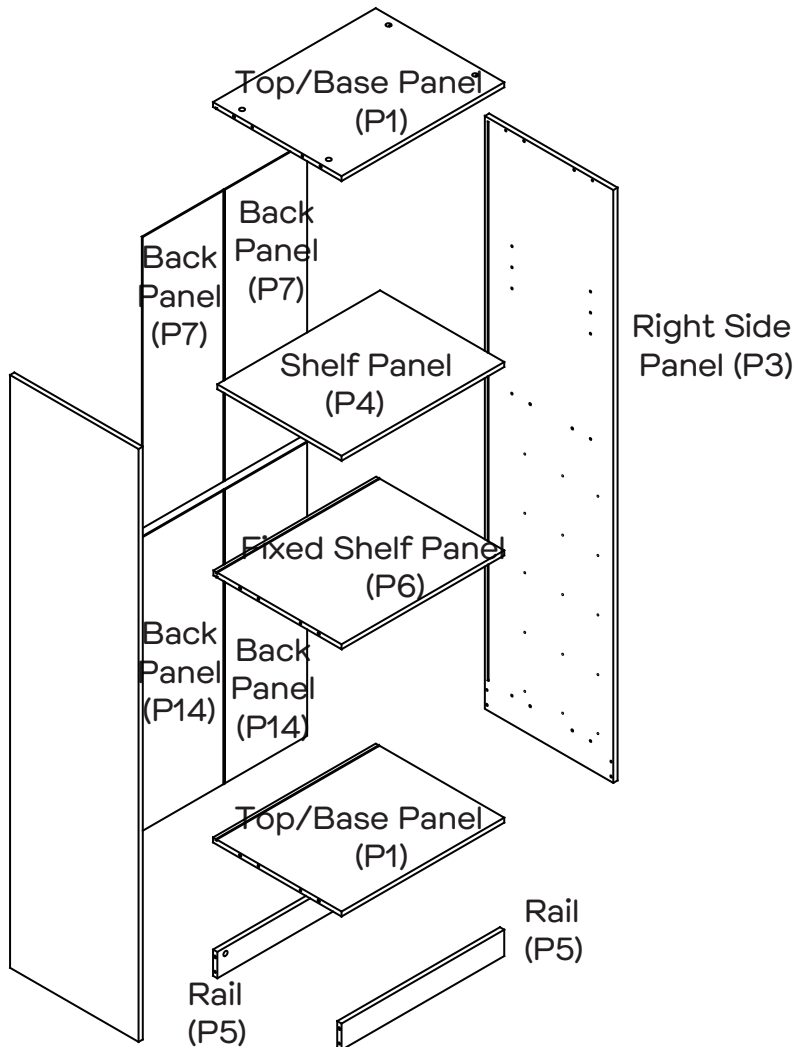


DO NOT USE



Other tools you need:
Phillips head screwdriver;
Hammer

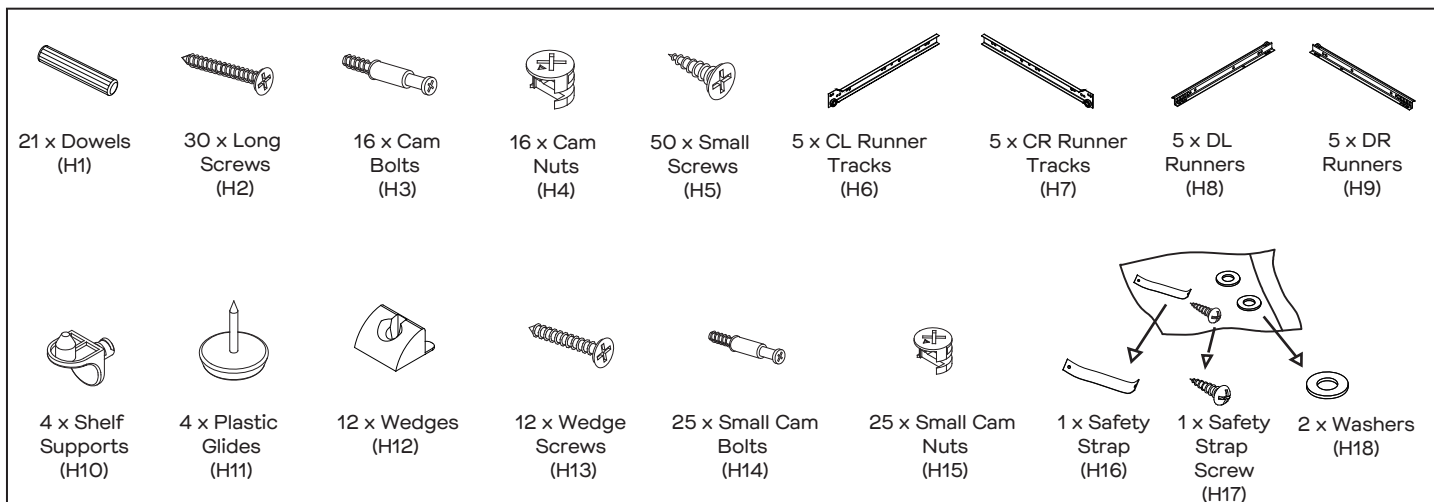
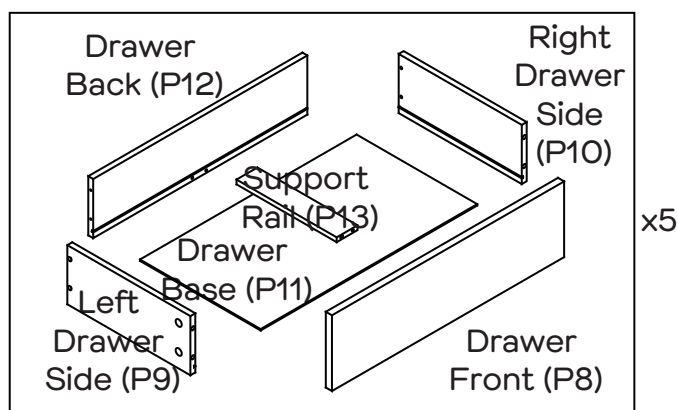
Left Side Panel (P2)



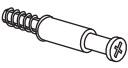

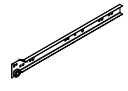

Parts list

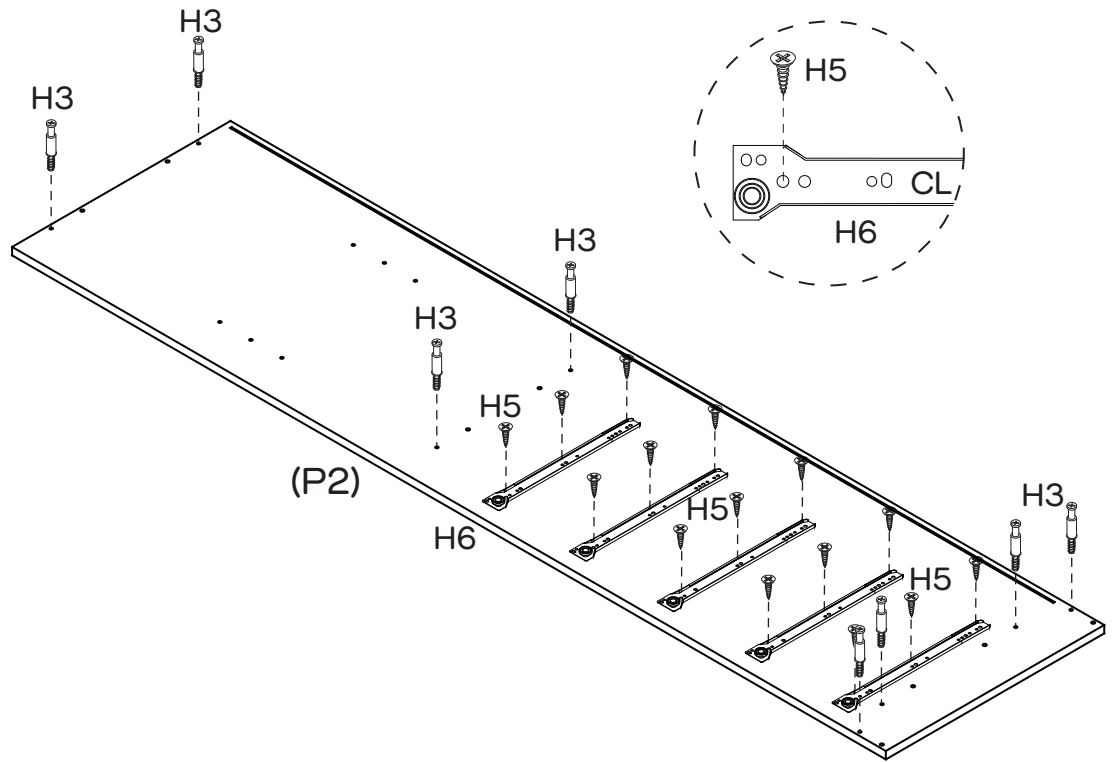
- 2 x Top/Base Panels (P1);
- Left Side Panel (P2);
- Right Side Panel (P3);
- Shelf Panel (P4);
- 2 x Rails (P5);
- Fixed Shelf Panel (P6);
- 2 x Back Panels (P7);
- 5 x Drawer Fronts (P8);
- 5 x Left Drawer Sides (P9);
- 5 x Right Drawer Sides (P10);
- 5 x Drawer Bases (P11)
- 5 x Drawer Backs (P12);
- 5 x Support Rails (P13)
- 2 x Back Panels (P14);

Hardware pack



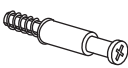

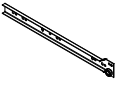

Step 1

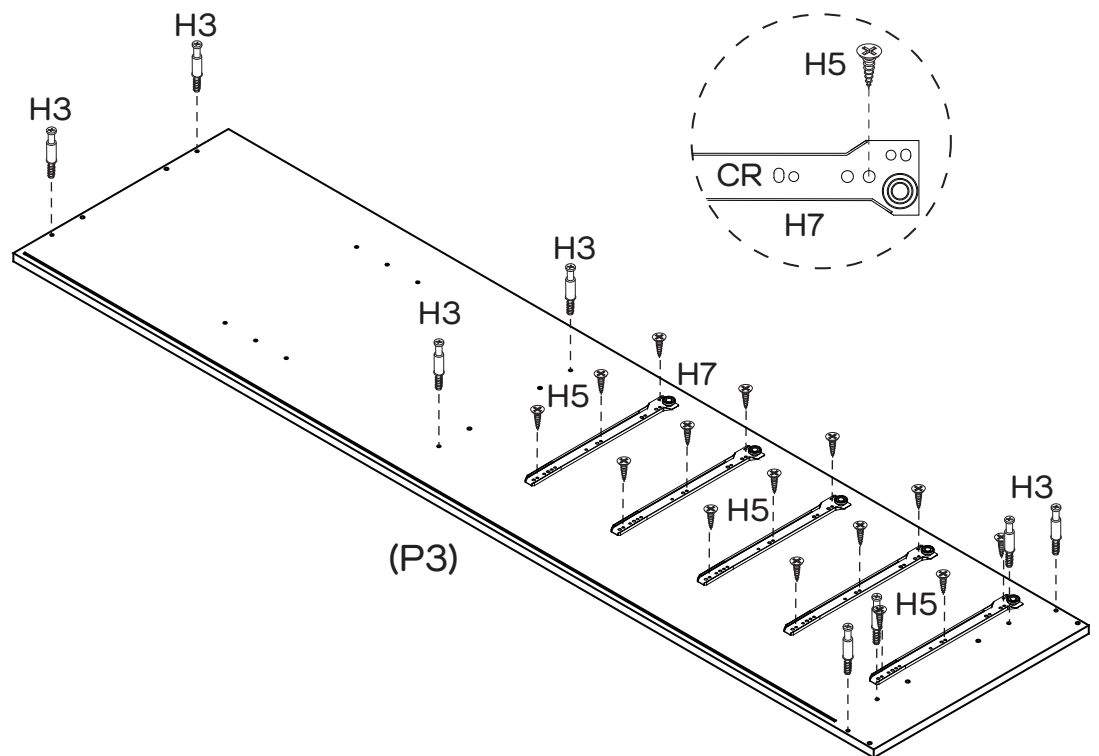
You will need	
	
8 x Cam Bolts (H3)	15 x Small Screws (H5)
	
5 x CL Runner Tracks (H6)	Phillips Head Screwdriver



Attach 8 x Cam Bolts (H3) to Left Side Panel (P2) as shown by tightening with the Phillips Head Screwdriver. Attach 5 x CL Runner Tracks (H6) to Left Side Panel (P2) with 15 x Small Screws (H5) by tightening with the Phillips Head Screwdriver.

Step 2

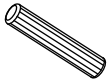


You will need	
	
8 x Cam Bolts (H3)	15 x Small Screws (H5)
	
5 x CR Runner Tracks (H7)	Phillips Head Screwdriver



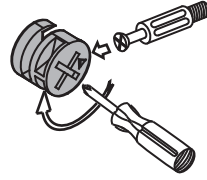
Attach 8 x Cam Bolts (H3) to Right Side Panel (P3) as shown by tightening with the Phillips Head Screwdriver. Attach 5 x CR Runner Tracks (H7) to Right Side Panel (P3) with 15 x Small Screws (H5) by tightening with the Phillips Head Screwdriver.

Step 3

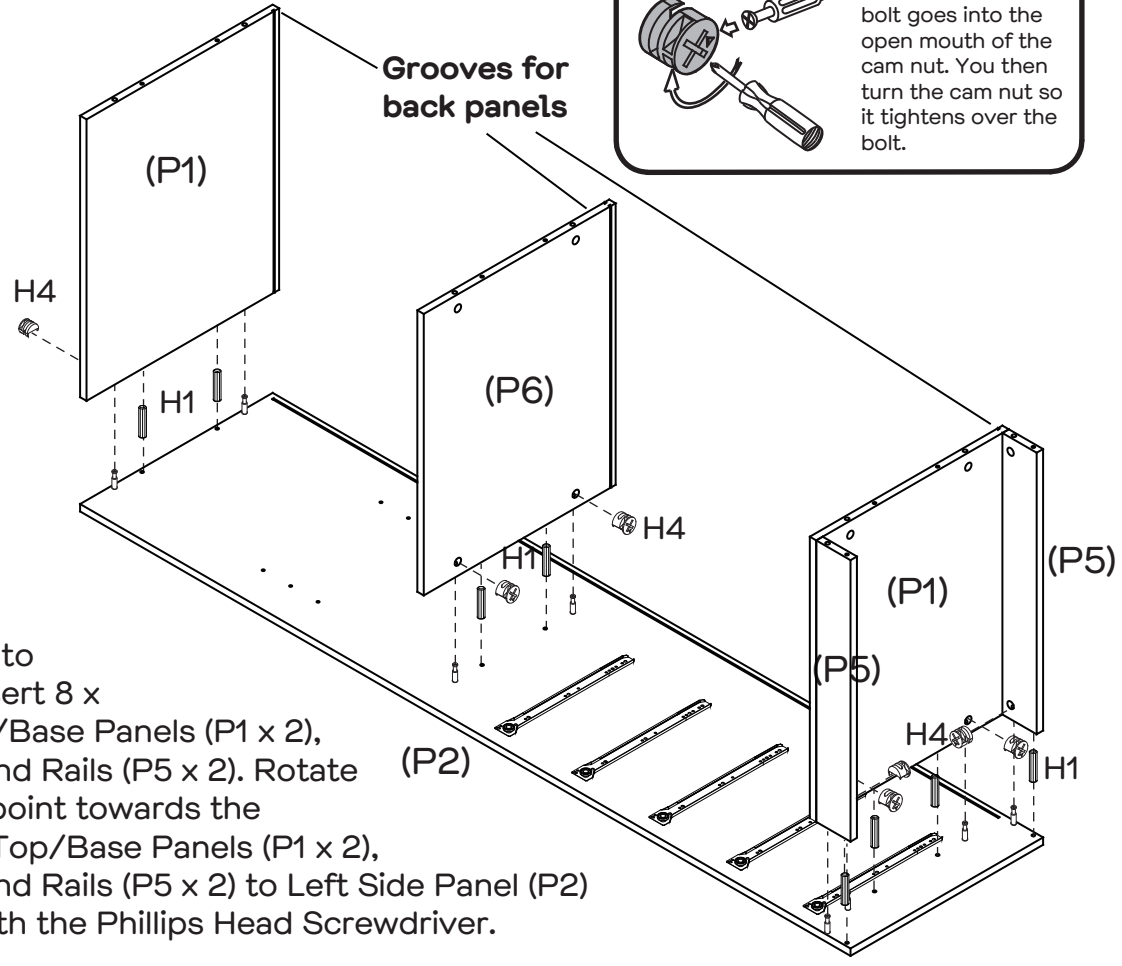
Ensure the grooves in the Top/Base Panels (P1 x 2) and Fixed Shelf Panel (P6) are located at the back of the unit.

You will need	
	
8 x Dowels (H1)	8 x Cam Nuts (H4)
	
Phillips Head Screwdriver	

This is how a cam nut works.....

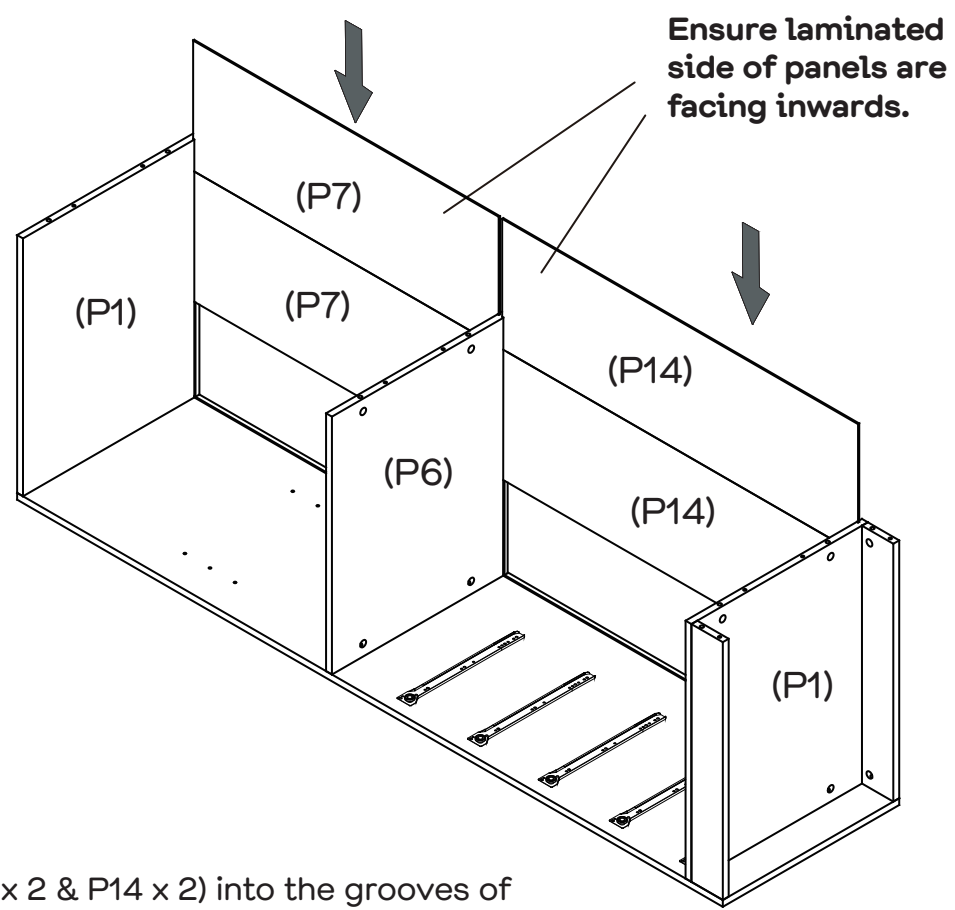


The head of the cam bolt goes into the open mouth of the cam nut. You then turn the cam nut so it tightens over the bolt.



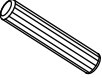


Insert 8 x Dowels (H1) into Left Side Panel (P2). Insert 8 x Cam Nuts (H4) into Top/Base Panels (P1 x 2), Fixed Shelf Panel (P6) and Rails (P5 x 2). Rotate the nuts so the arrows point towards the incoming bolts. Attach Top/Base Panels (P1 x 2), Fixed Shelf Panel (P6) and Rails (P5 x 2) to Left Side Panel (P2) by tightening all nuts with the Phillips Head Screwdriver.

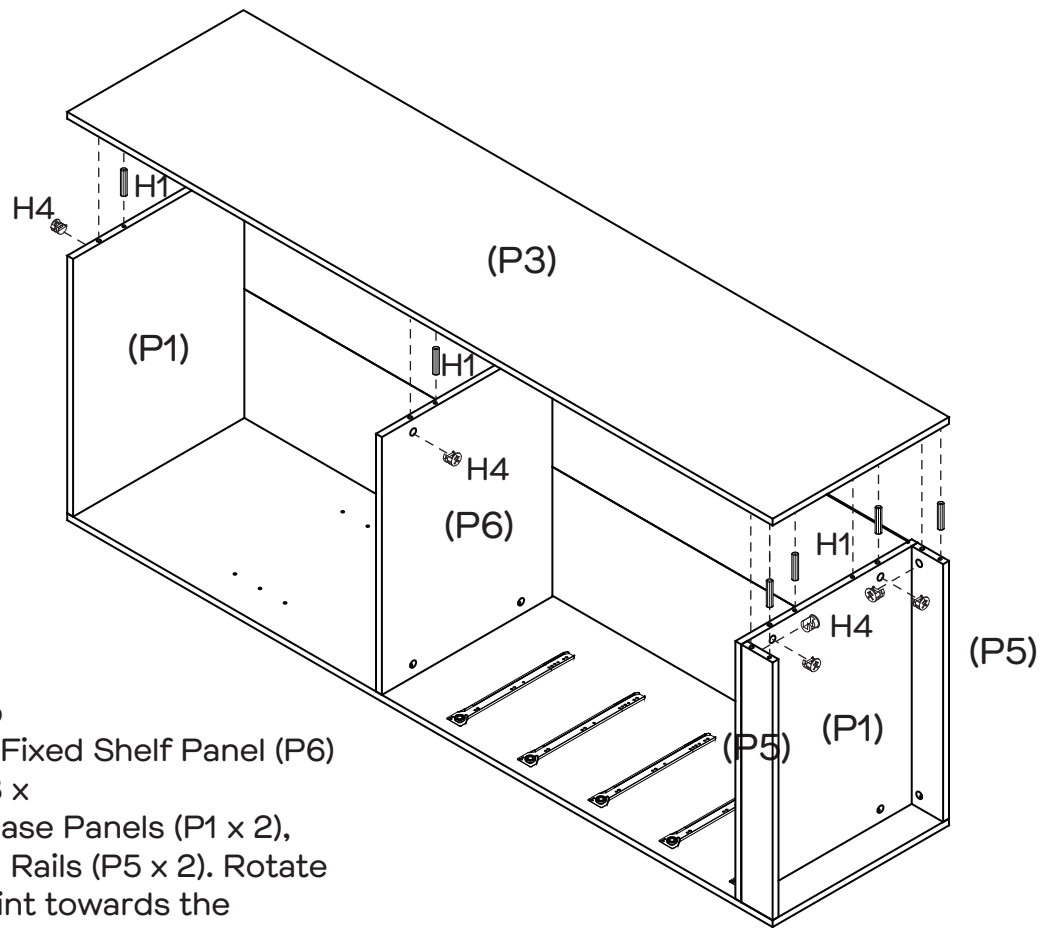
Step 4



Slide Back Panels (P7 x 2 & P14 x 2) into the grooves of Top/Base Panels (P1 x 2) and Fixed Shelf Panel (P6).



Step 5

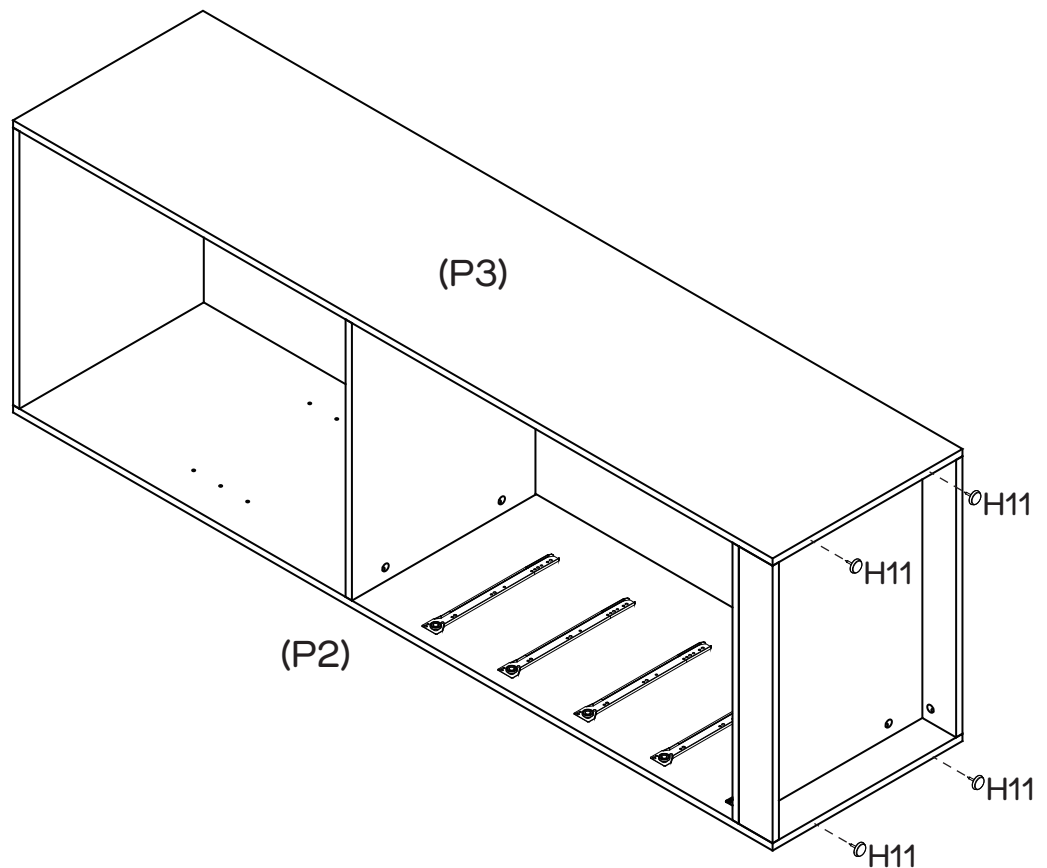
You will need	
	
8 x Dowels (H1)	8 x Cam Nuts (H4)
	
Phillips Head Screwdriver	



Insert 8 x Dowels (H1) into Top/Base Panels (P1 x 2), Fixed Shelf Panel (P6) and Rails (P5 x 2). Insert 8 x Cam Nuts (H4) into Top/Base Panels (P1 x 2), Fixed Shelf Panel (P6) and Rails (P5 x 2). Rotate the nuts so the arrows point towards the incoming bolts. Attach Right Side Panel (P3) to Top/Base Panels (P1 x 2), Fixed Shelf Panel (P6) and Rails (P5 x 2) by tightening all nuts with the Phillips Head Screwdriver.


Step 6

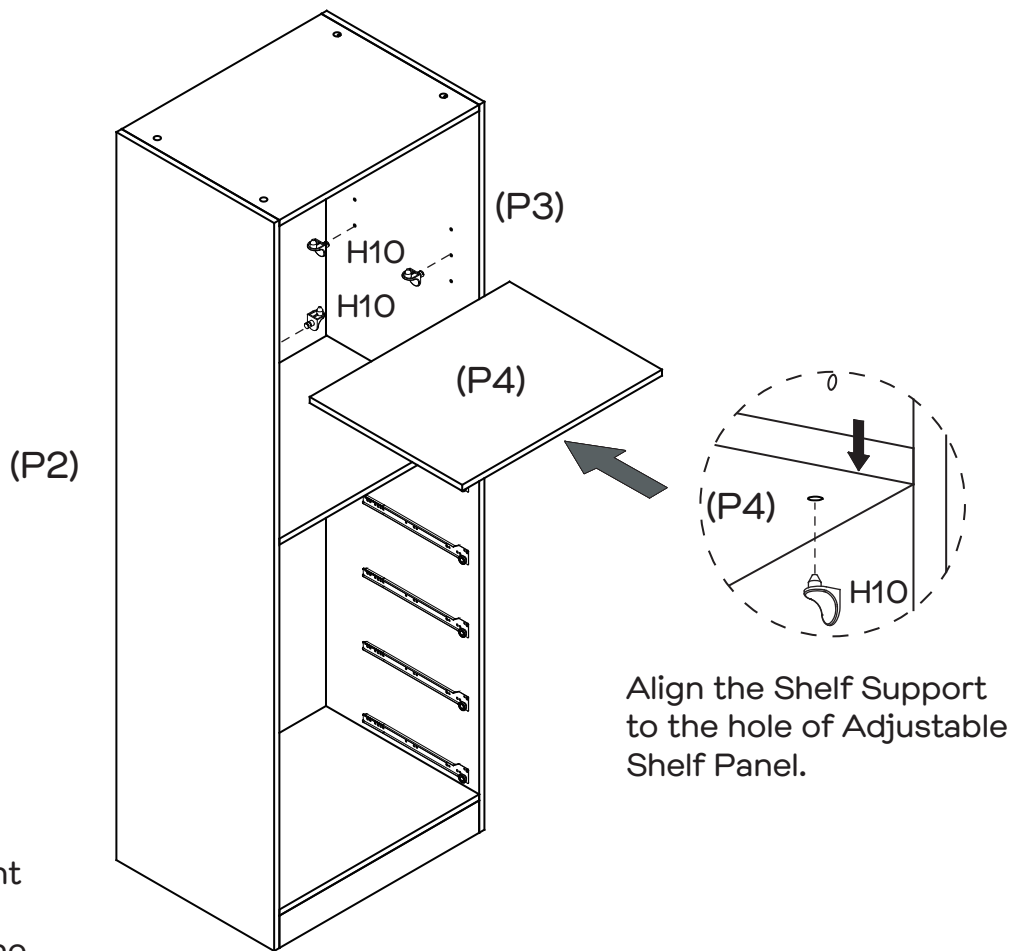
You will need	
	
4 x Plastic Glides (H11)	Hammer



Secure 4 x Plastic Glides (H11) to the bottom of Left & Right Side Panels (P2 & P3) as shown using the Hammer.



Step 7

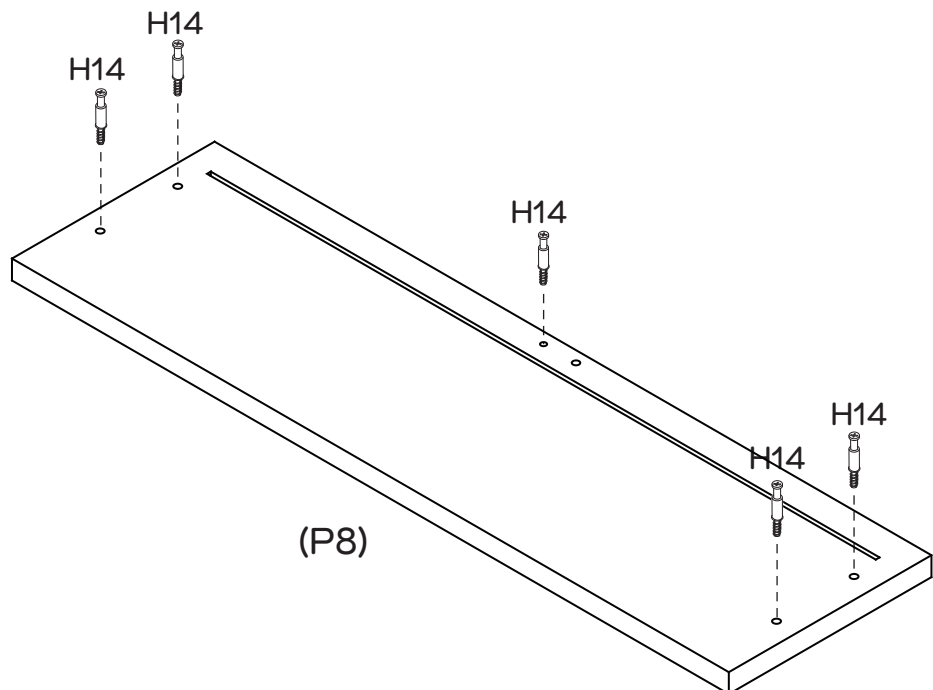
You will need	
	
4 x Shelf Supports (H10)	



Insert 4 x Shelf Supports (H10) into the holes of the Left & Right Side Panels (P2 & P3) at your preferred shelf height. Insert the Shelf Panel (P4) into the unit by resting on the Shelf Supports. Ensure the shelf is positioned securely.

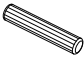
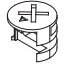

Step 8

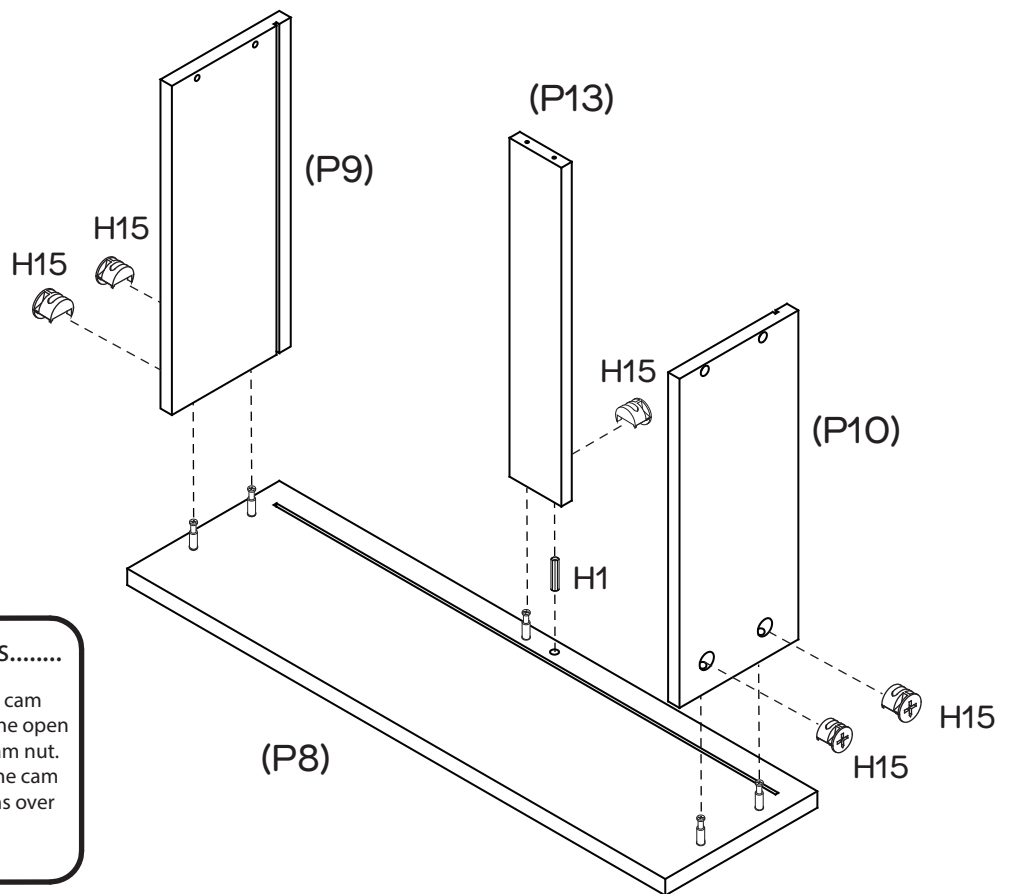
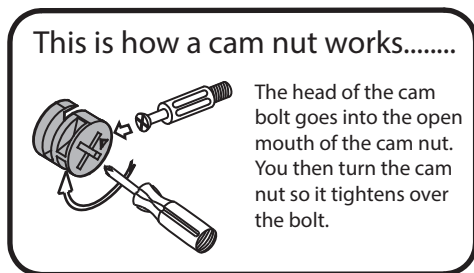
You will need	
	
5 x Small Cam Bolts (H14)	Phillips Head Screwdriver



Attach 5 x Small Cam Bolts (H14) to Drawer Front (P8) as shown by tightening with the Phillips Head Screwdriver.

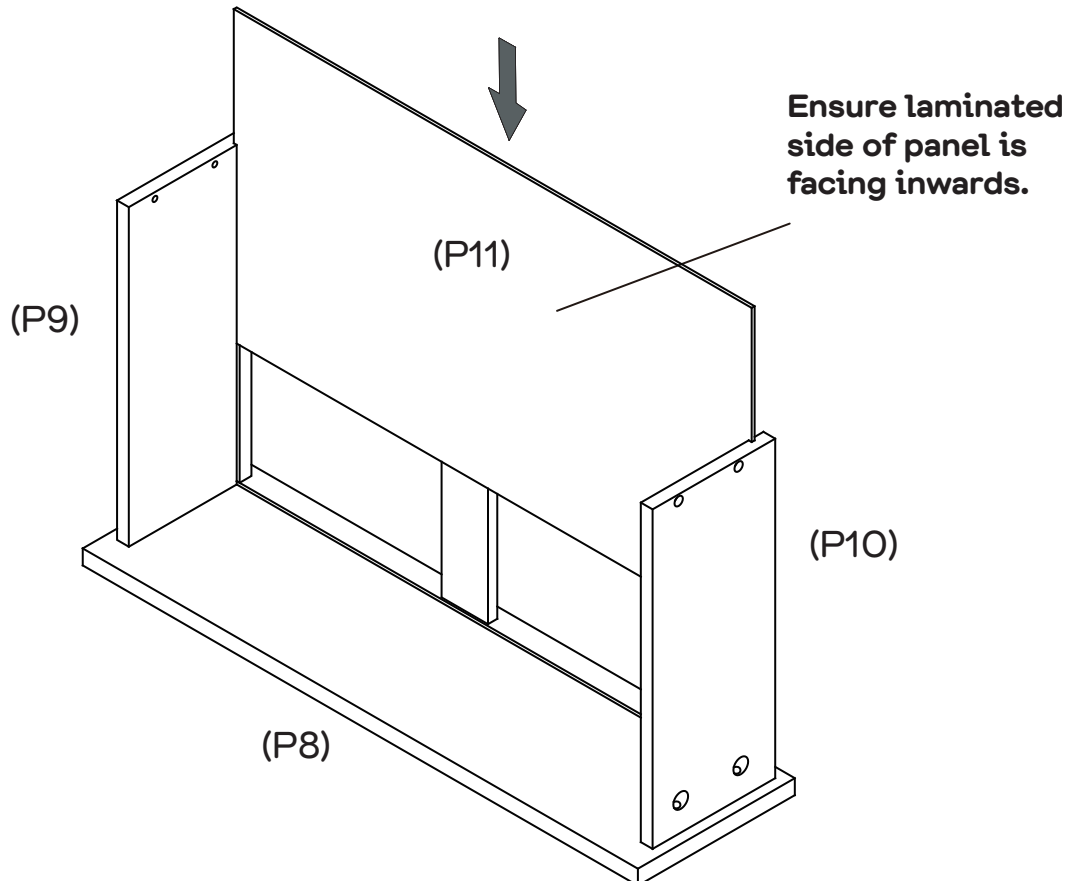
Step 9

You will need	
	
1 x Dowel (H1)	5 x Small Cam Nuts (H15)
	
Phillips Head Screwdriver	



Insert 1 x Dowel (H1) into Drawer Front (P8). Insert 5 x Small Cam Nuts (H15) into Left & Right Drawer Sides (P9 & P10) and Support Rail (P13). Rotate the nuts so the arrows point towards the incoming bolts. Attach the Left & Right Drawer Sides (P9 & P10) and Support Rail (P13) to Drawer Front (P8) by tightening all nuts with the Phillips Head Screwdriver.

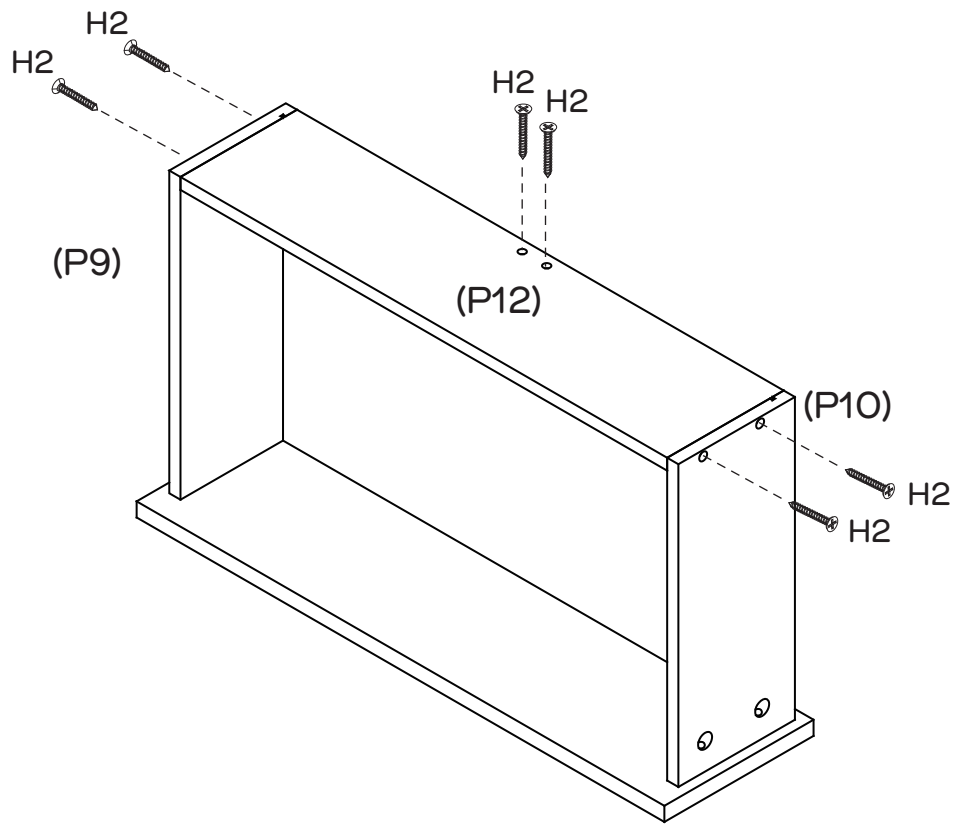
Step 10



Slide Drawer Base (P11) into the grooves of Left & Right Drawer Sides (P9 & P10) and Drawer Front (P8).

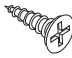



Step 11

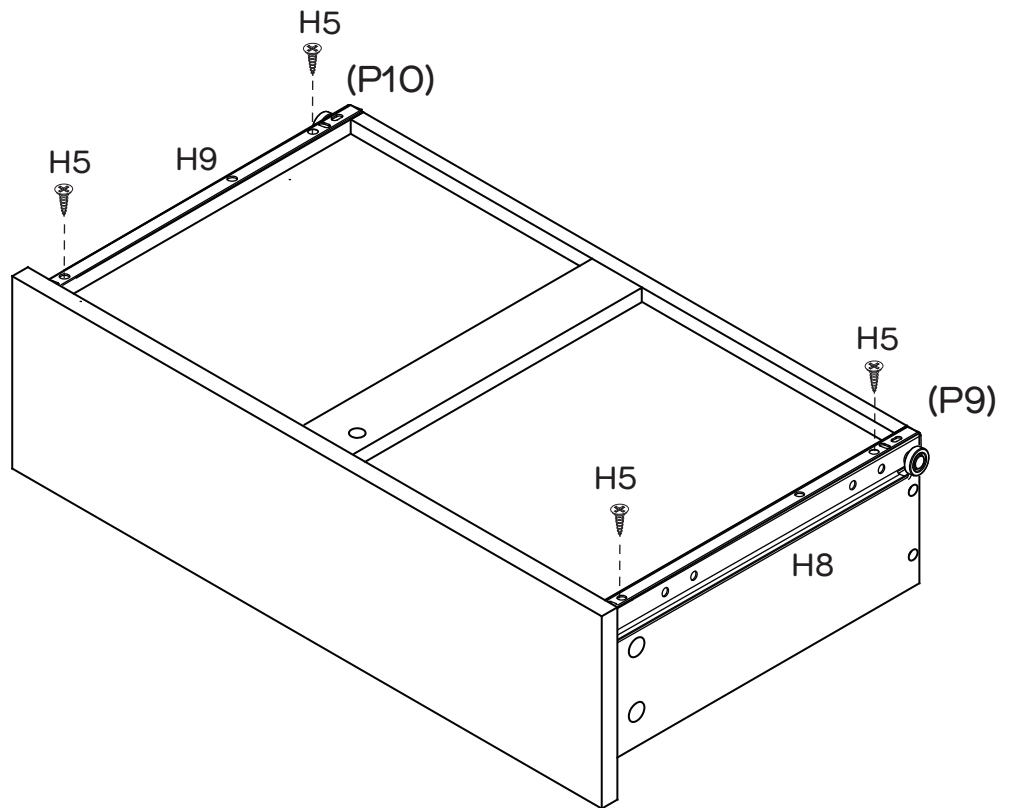
You will need	
	
6 x Long Screws (H2)	Phillips Head Screwdriver



Attach Drawer Back (P12) to Left & Right Drawer Sides (P9 & P10) and Support Rail (P13) with 6 x Long Screws (H2) by tightening with the Phillips Head Screwdriver. Ensure the drawer base lines up with the grooves all the way around the drawer before securing.

Step 12

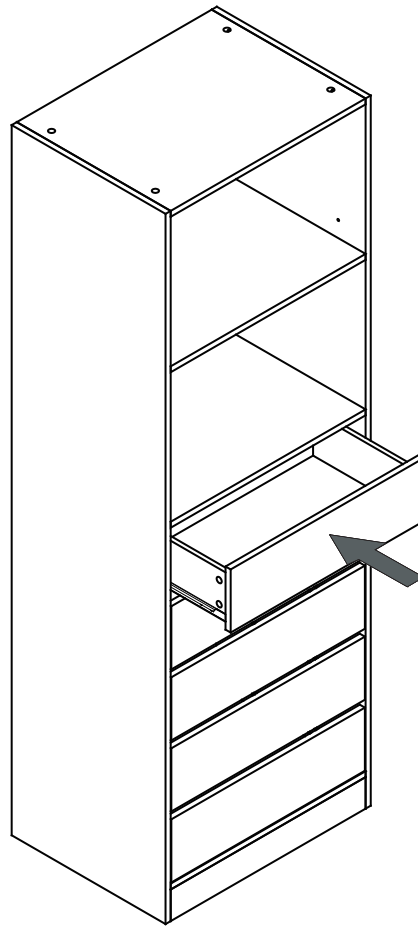
You will need	
	
4 x Small Screws (H5)	1 x DL Runner (H8)
	
1 x DR Runner (H9)	Phillips Head Screwdriver



Attach 1 x DL Runner (H8) to the bottom of Left Drawer Side (P9) and 1 x DR Runner (H9) to the bottom of Right Drawer Side (P10) with 4 x Small Screws (H5) by tightening with the Phillips Head Screwdriver.

Repeat Step 8 - 12 for the remaining 4 x Drawers.

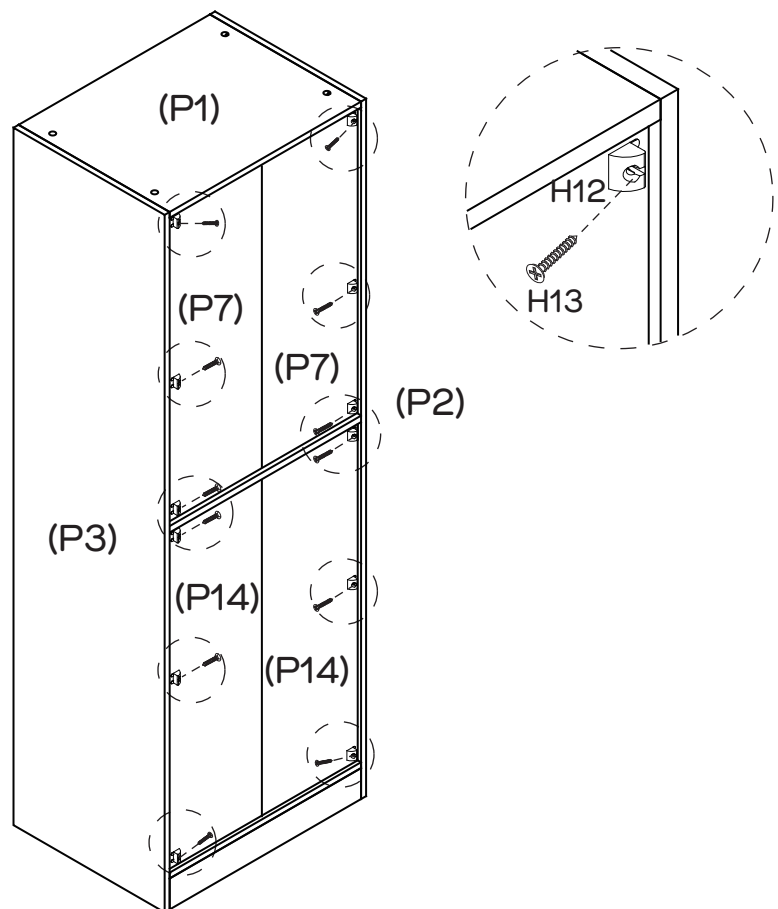
Step 13



Gently insert the assembled drawers into the unit by carefully lining up the drawer runners with the drawer runner tracks.

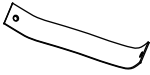



Step 14

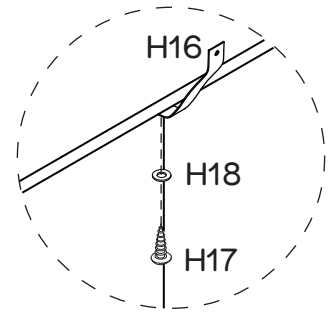
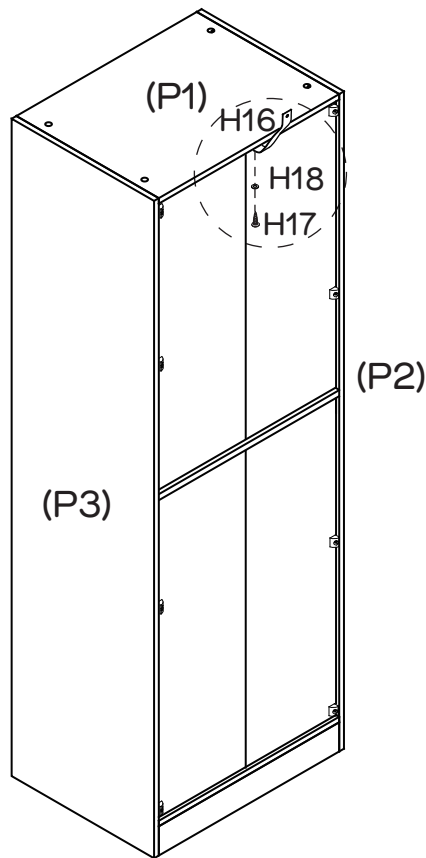
You will need	
12 x Wedges (H12)	12 x Wedge Screws (H13)
Phillips Head Screwdriver	



Secure Back Panels (P7 x 2 & P14 x 2) in place with 12 x Wedges (H12) and 12 x Wedge Screws (H13) by tightening with the Phillips Head Screwdriver.

Step 15



You will need	
	
1 x Safety Strap (H16)	1 x Safety Strap Screw (H17)
	
1 x Washer (H18)	Phillips Head Screwdriver



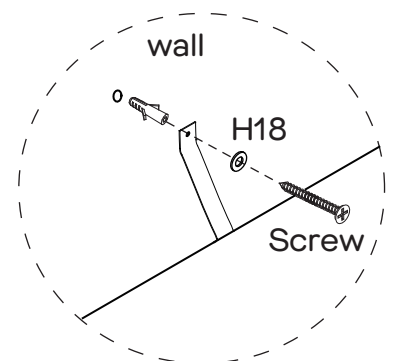
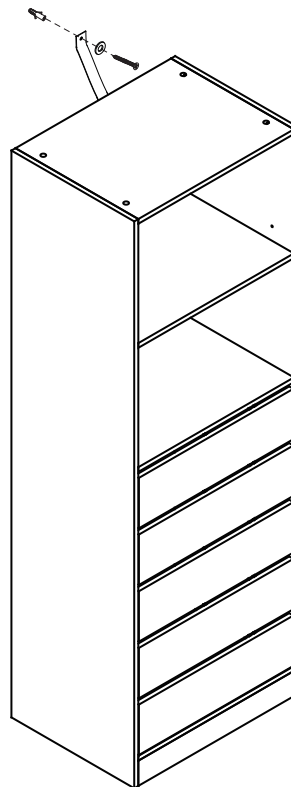
We strongly advise that you use the wall safety strap provided to prevent the unit toppling.

Attach the Safety Strap (H16) to the Top Panel (P1) with 1 x Safety Strap Screw (H17) & 1 x Washer (H18) by tightening with the Phillips Head Screwdriver.

Step 16

You will need	
	
1 x Washer (H18)	Phillips Head Screwdriver
Screw and Wall Plug are not provided. Please use appropriate fixtures for your wall.	

Seek advice from a qualified trades person on how to attach this safety strap to your specific wall.



Move the unit to the final position, and attach the safety strap to the wall securely. Make sure it is firmly attached and snug fit.

Job Complete!

In the interest of our environment please dispose of all packaging thoughtfully.