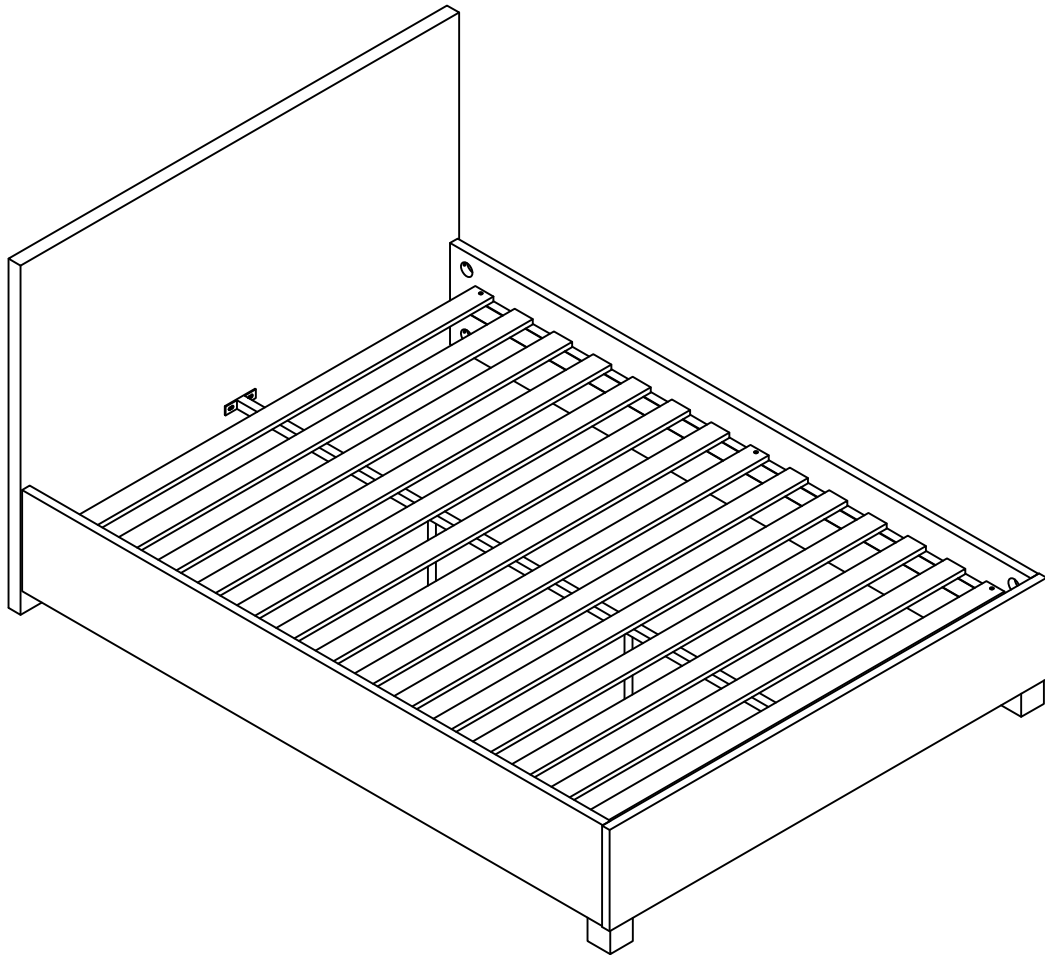
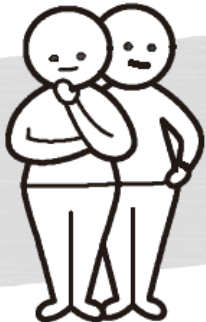




Version 1.0



TWO PEOPLE



REQUIRED

VERONA

BED DOUBLE

www.fantasticfurniture.com.au

Enjoy

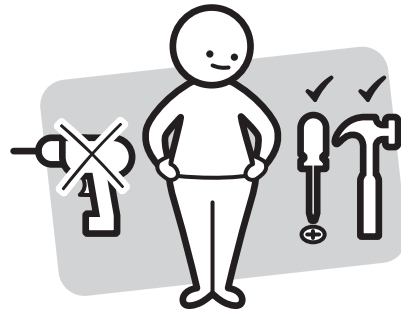
Your purchase from
Australia's Best Value Furniture Store



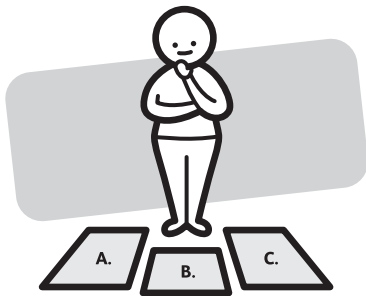
Assembly checklist



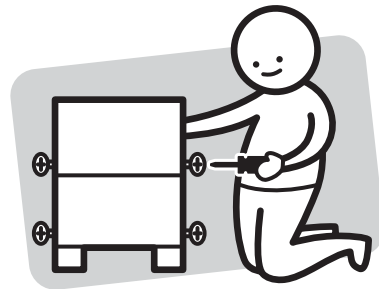
Read through the instructions carefully before you begin.



Make sure you have all the required tools. Never use power tools unless instructed.



Identify and lay out all of the components before you begin assembly.



Unless instructed, do not fully tighten screws until the item is fully assembled.

Useful Information

- ! Never use power tools unless specifically instructed. They can damage your components or hardware if used incorrectly.
- ! The most common mistakes made during assembly are using the wrong hardware or getting components back to front.
- ! Always use a soft surface (such as carpet or cardboard) when assembling your product to avoid scratching or damaging the surface of the product.
- ! Bulky items such as wardrobes and bunk beds should be assembled in the room they will be used in as they may not fit through a door once assembled.
- ! Never use any glue until you are certain that the parts belong together.
- ! Periodically check and re-tighten all fasteners. Check the product care label or website for product care instructions.
- ! If you are having any difficulties assembling your product, missing any hardware or components please visit our website Help Centre for further assistance.

What you Need

to assemble the product

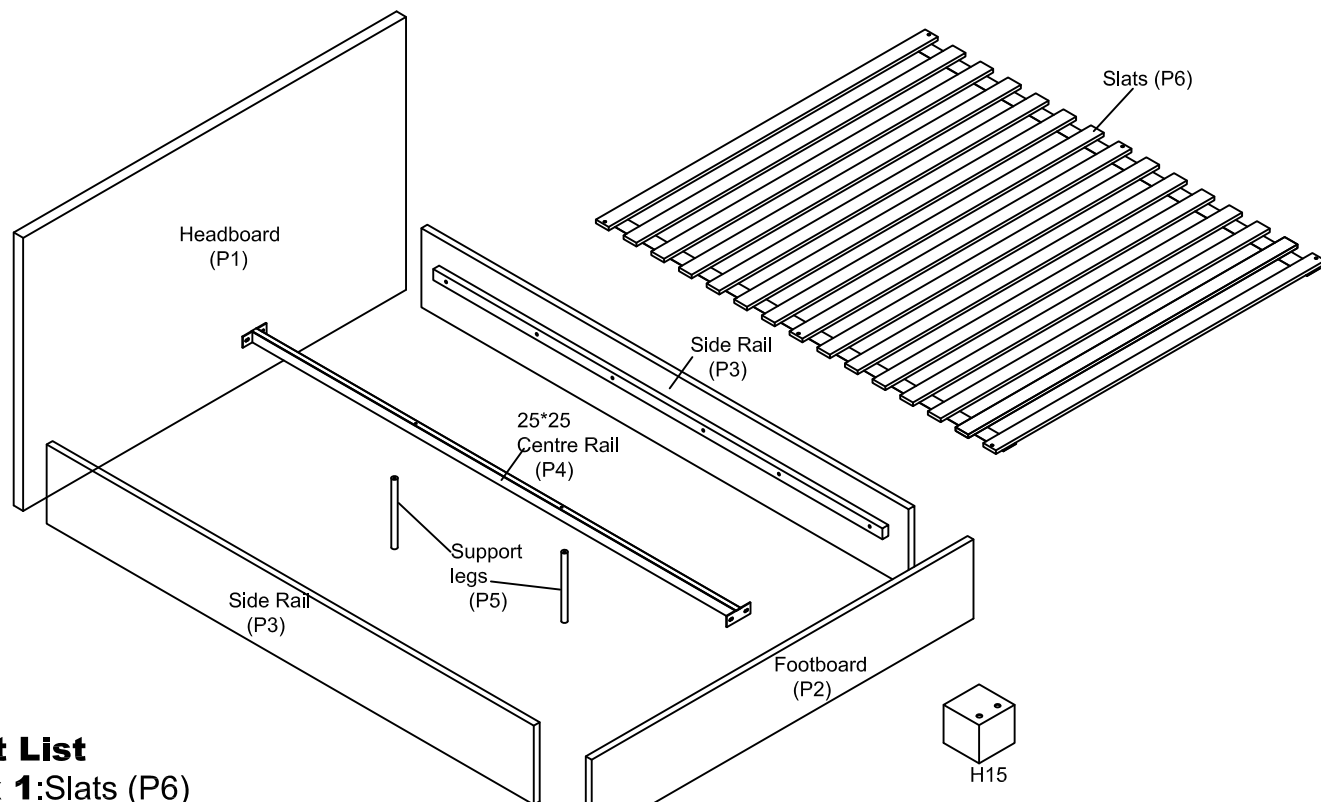


DO NOT USE



Other tools you need

Flat head screwdriver; Phillips head screwdriver; Mallet



Part List

Box 1: Slats (P6)

2 x Support Legs (P5), Hardware pack

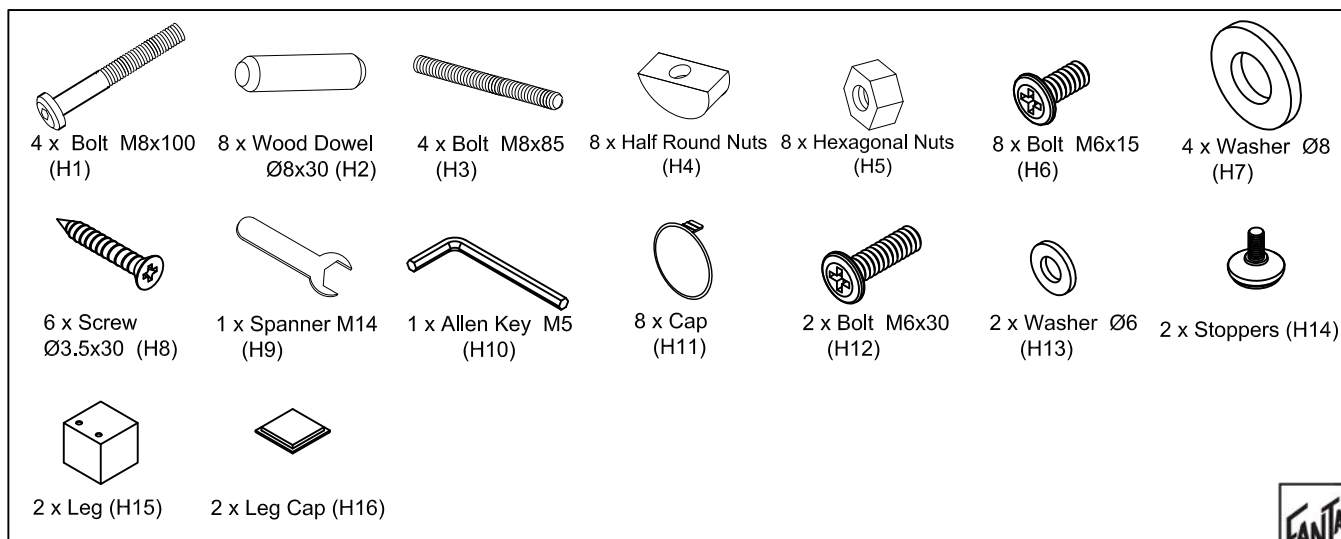
Box 2: Footboard (P2)

2 x Side Rail (P3)



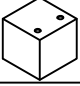


Centre Rail (P4)

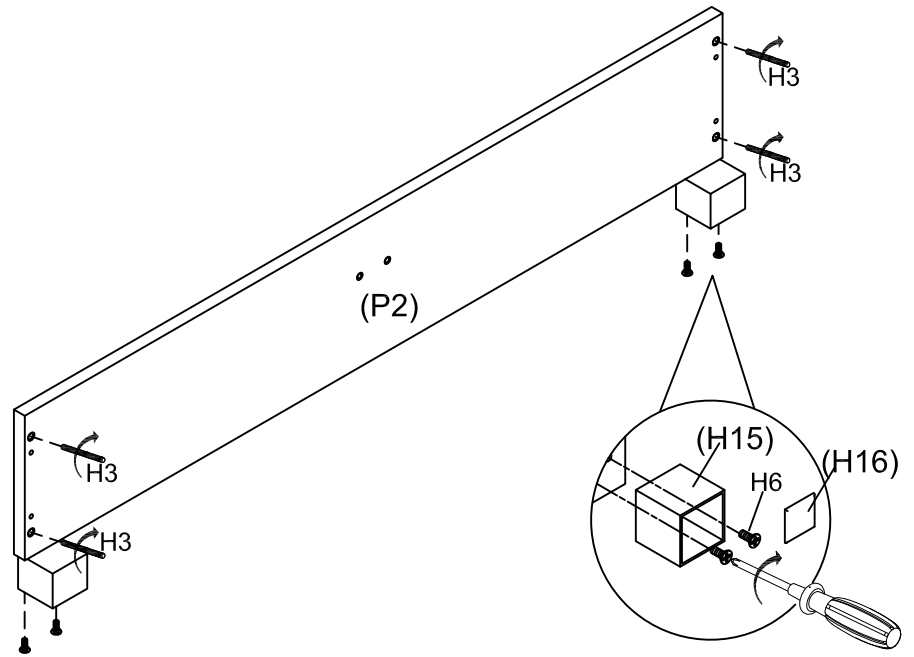
Box 3: Headboard (P1)

Hard list





Step 1

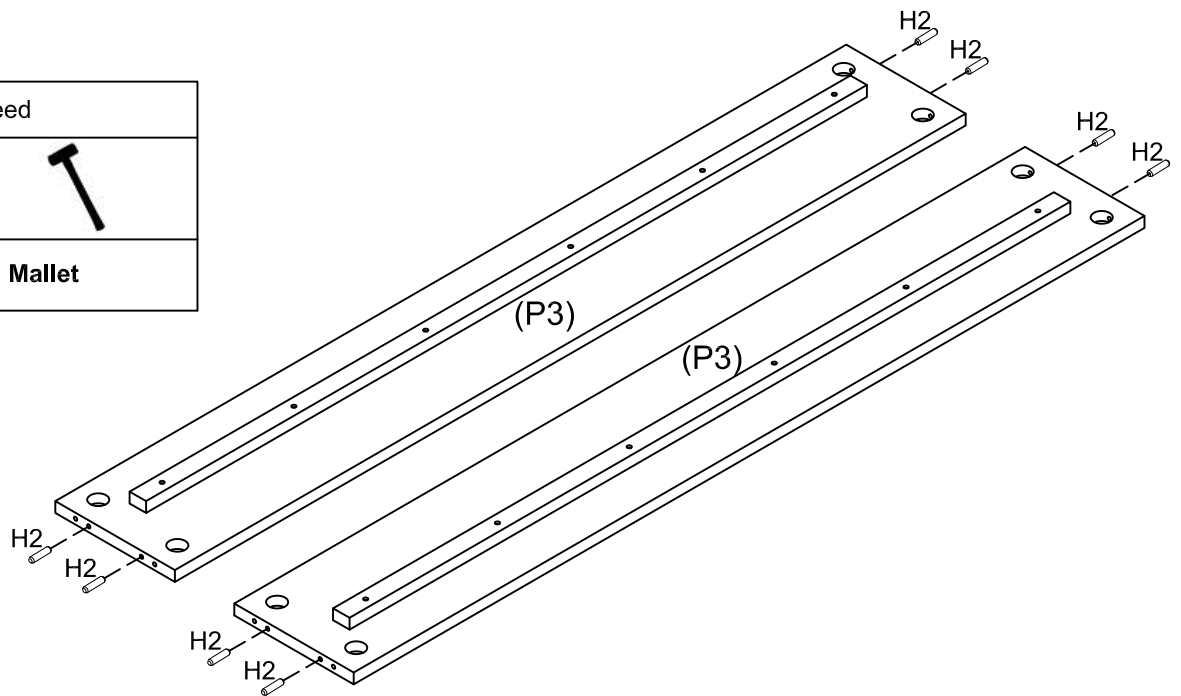
You will need	
	
4 x Bolt (H3)	4 x Bolt (H6)
	
2 x Leg (H15)	2 x Leg Cap (H16)
	
	Phillips head screwdriver



Screw 4 x Bolt (H3) onto Footboard (P2) Attach 2 x Legs (H15) to Footboard (P2) by using 4 x Bolt (H6), and tighten with a Phillips Head Screwdriver. Then insert the Leg cap (H16) as shown.





Step 2

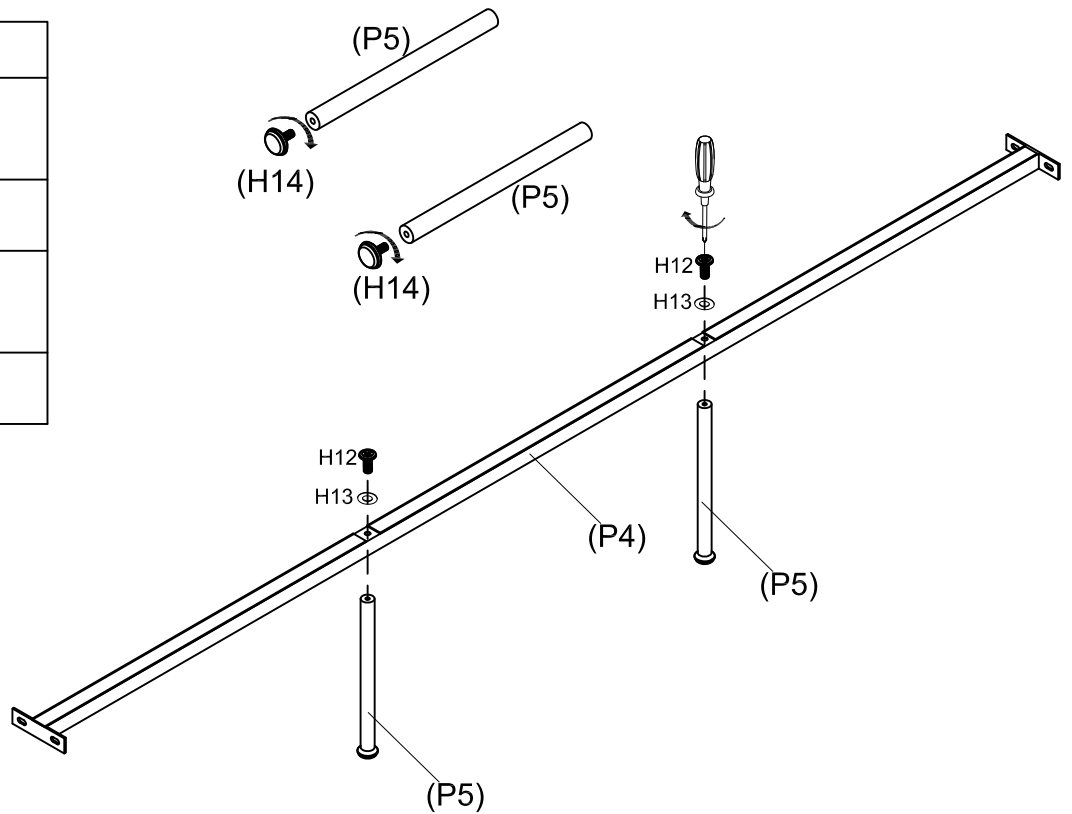
You will need	
	
8 x Wood Dowel (H2)	Mallet



Using the Mallet if needed, Insert 8 x Wooden Dowels (H2) to the hole on Side Rails (P3) as shown.




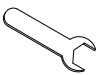
Step 3

You will need	
	
2 x Bolt (H12)	2 x Washer (H13)
	
2 x Stoppers (H14)	Phillips head screwdriver

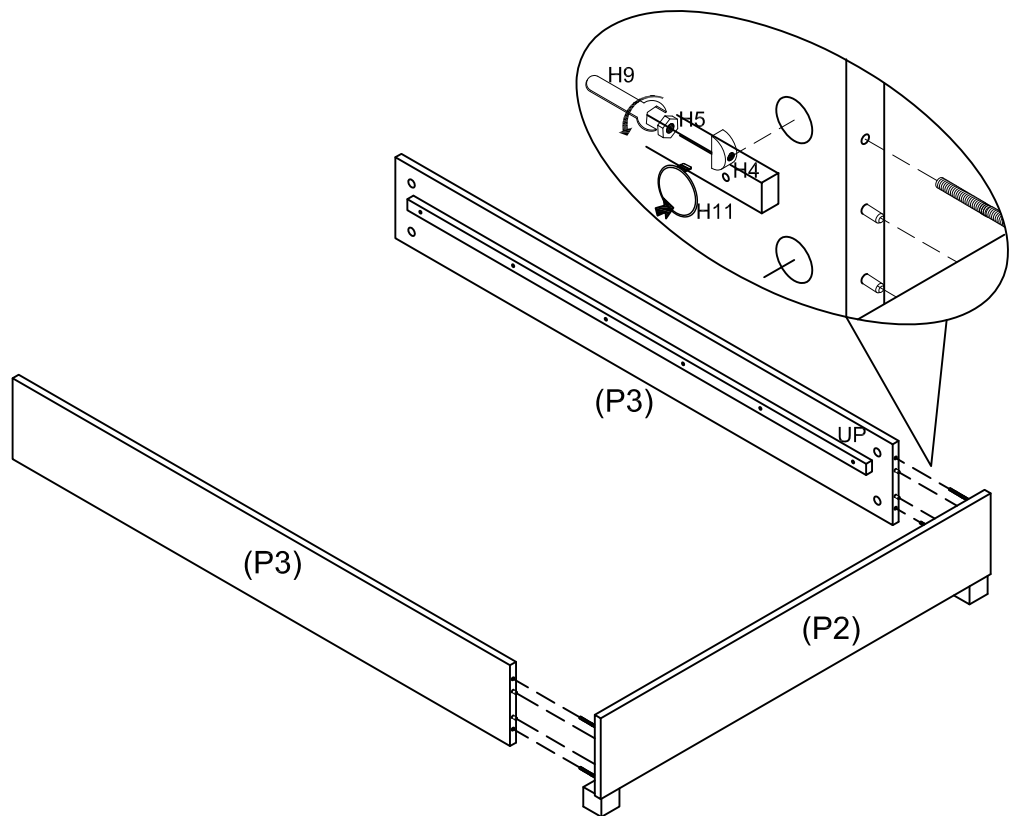
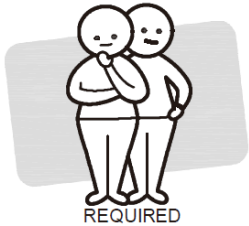


Insert the 2 x Stoppers (H14) to the 2 x Support legs (P5). Attach 2 x Support Legs (P5) to Centre Rail (P4) by using 2 x Bolt (H12) and Washer (H13) tighten with a Phillips Head Screwdriver.

Step 4

You will need	
	
4 x Half Round Nuts (H4)	4 x Hexagonal Nuts (H5)
	
4 x Cap (H11)	1 x Spanner (H9)

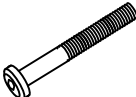




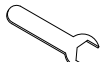

TWO PEOPLE

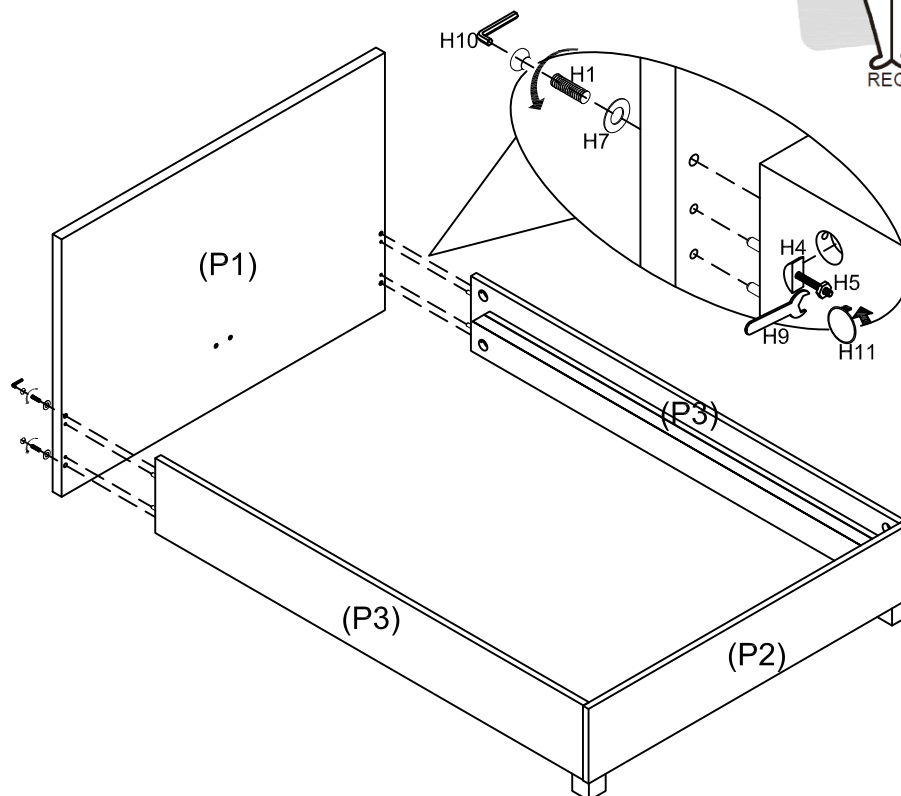


Attach 2 x Side Rails (P3) to Footboard (P2) by using 4 x Hexagonal Nuts (H5) 4 x Halfround Nut (H4) as show, tighten with a Spanner (H9), insert 4 x Caps (H11)





Step 5

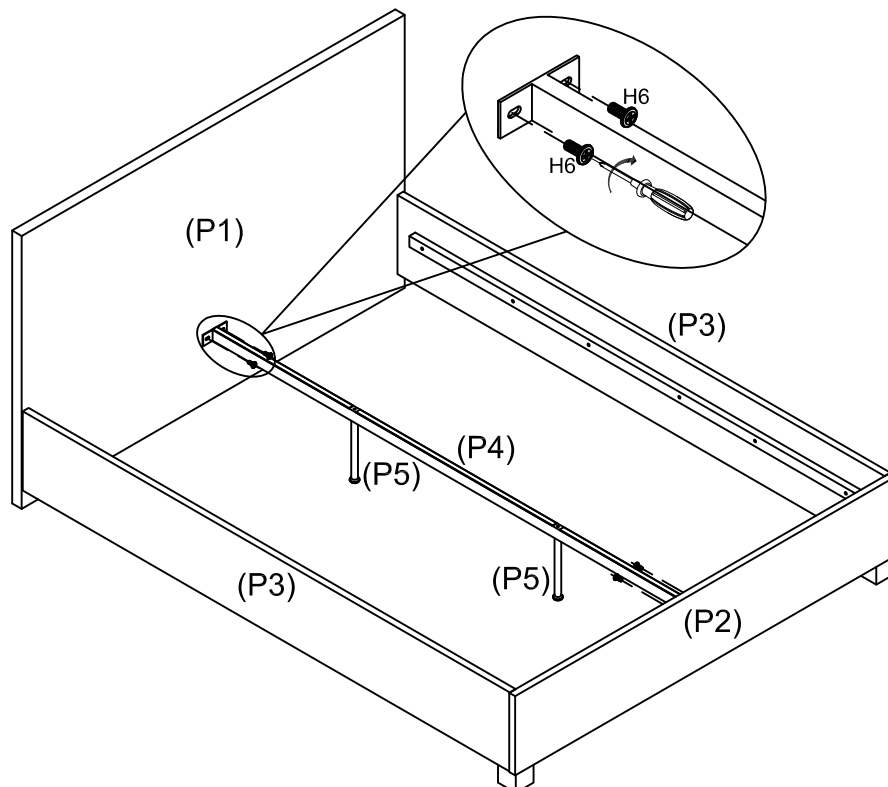
You will need	
	
4 x Bolt (H1)	4 x Half Round Nuts (H4)
	
4 x Hexagonal Nuts (H5)	4 x Washer (H7)
	
4 x Cap (H11)	1 x Spanner (H9)
	
1 x Allen Key (H10)	



Attach Headboard (P1) to Side Rail (P3) by using 4 x Bolt (H1) 4 x Hexagonal Nuts (H5) 4 x Half Round Nut (H4) and 4 x Washer (H7) as shown, tighten with a Spanner (H9) and Allen Key (H10), and insert 4 x Caps (H11)

Step 6

You will need	
	
4 x Bolt (H6)	Phillips head screwdriver



Attach Centre Rail (P4) to the Headboard (P1) and Footboard (P2) by using 4 x Bolt (H6)

Step 7

You will need



6 x Screw
(H8)

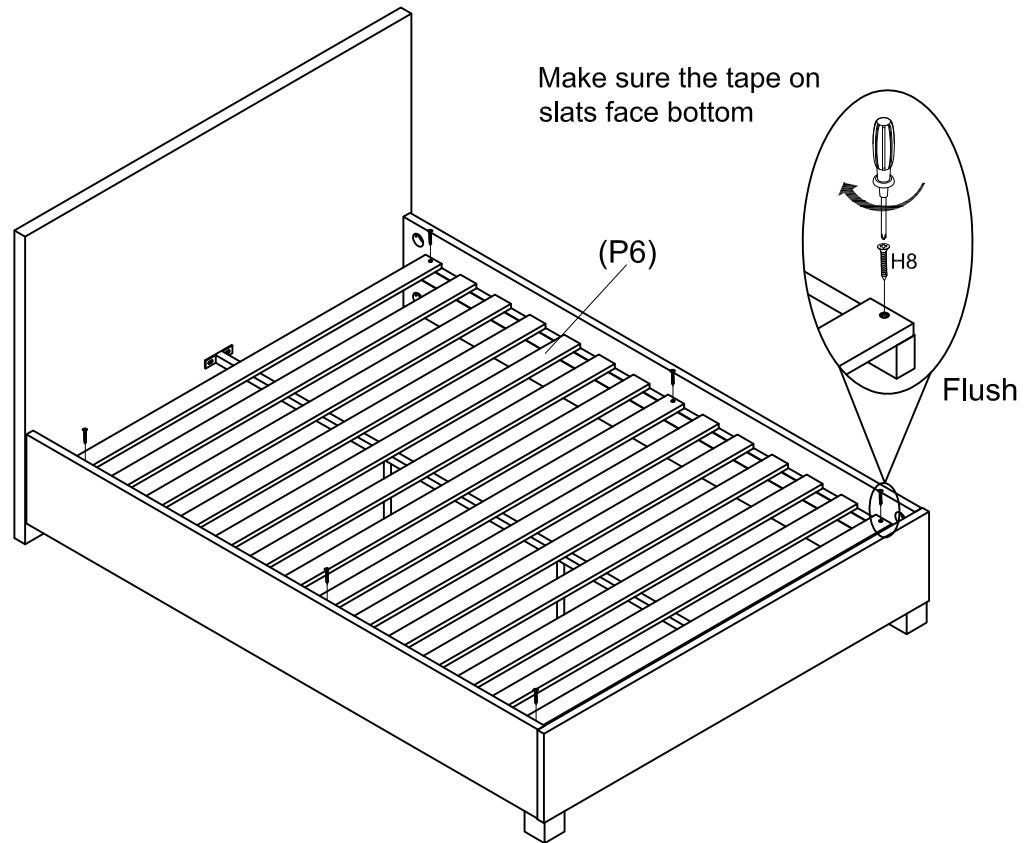


Phillips head
screwdriver

TWO PEOPLE

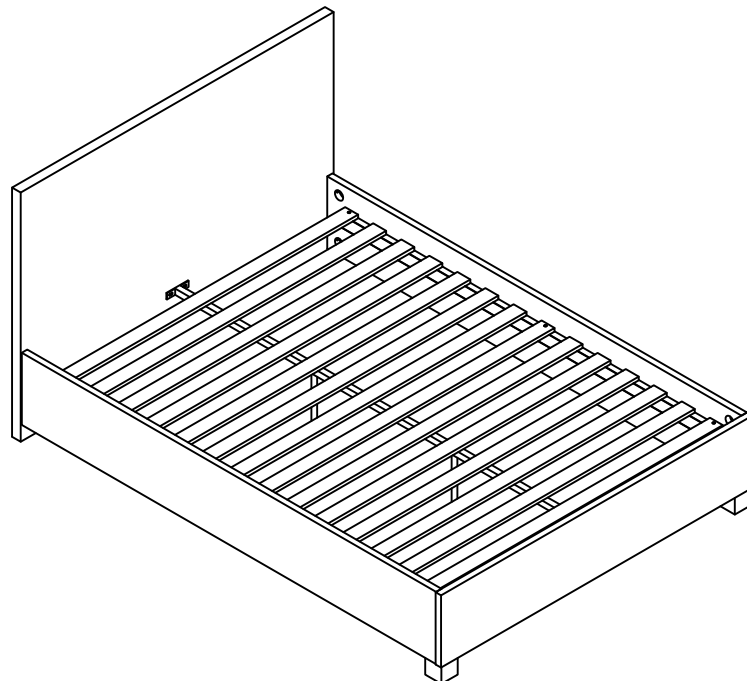


REQUIRED



Key Slats side edge is flush with Siderail support end. Attached Slats (P6) onto the Side Rail (P3) by using 6 x Screw (H8) as shown.

Step 8



Job Complete!

In the interest of our environment please dispose of all packaging thoughtfully.



THIS TOP IS FINISHED WITH A CLEAR PU LACQUER

Avoid placing hot items directly onto the surface unless using a thick insulation material such as placemats or coasters. Heat may lead to discolouration or other damage to the surface of the product.

Use a soft cloth that has been dampened in water to clean the surface of this product. Do not use abrasive cleaners, furniture wax or polish on the surface of this product, as it may damage the surface.

CAUTION: FREQUENT EXPOSURE TO DIRECT SUNLIGHT OR SIMILAR SOURCES MAY CAUSE THE SURFACE TO DISCOLOUR OR FADE.