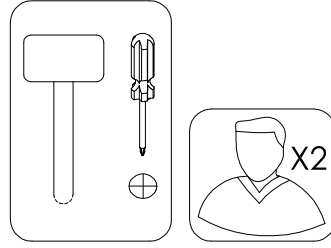
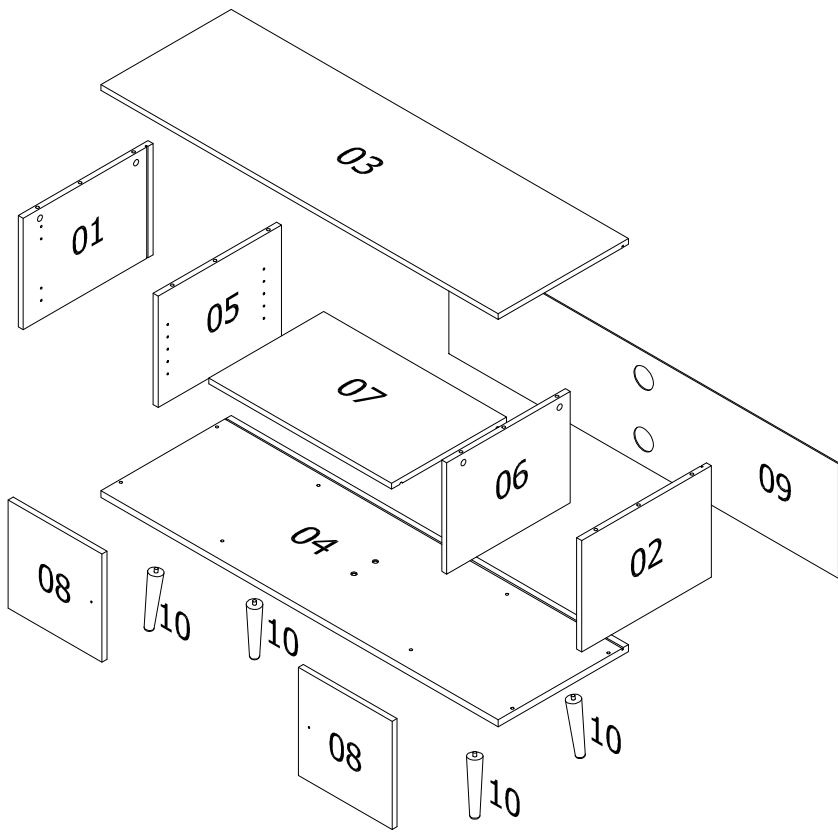


ASSEMBLING GUIDE MODEL 7351-9-02

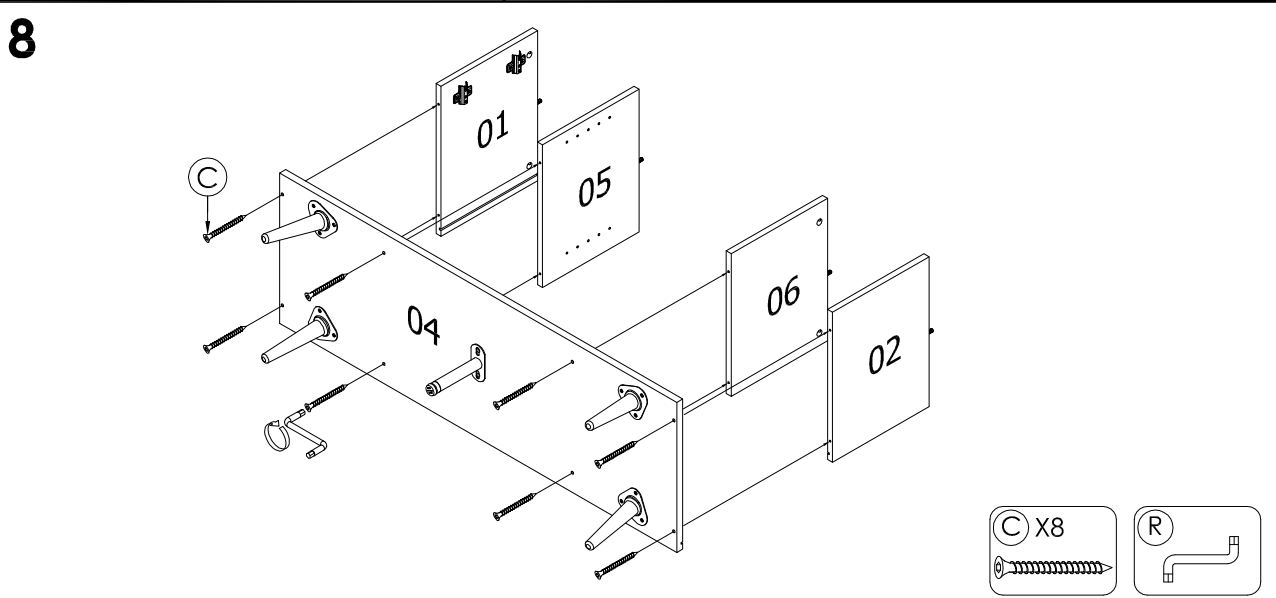
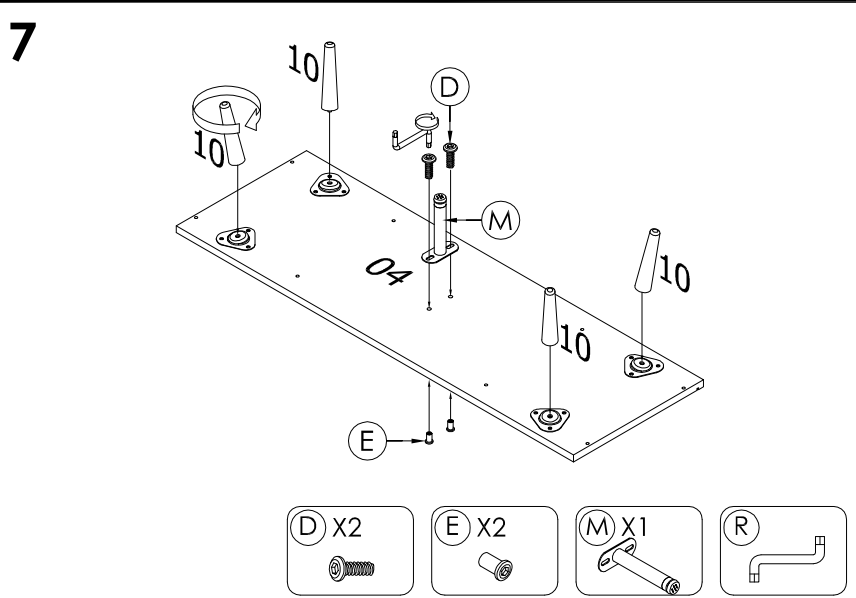
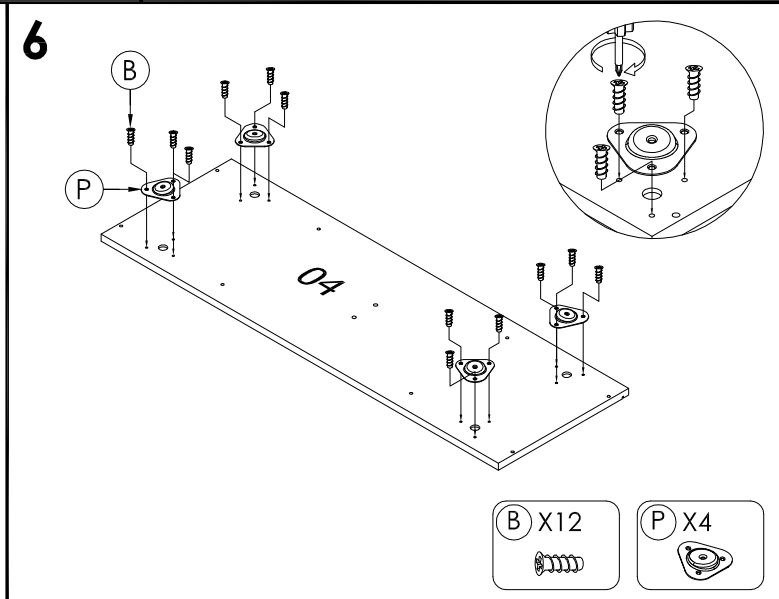
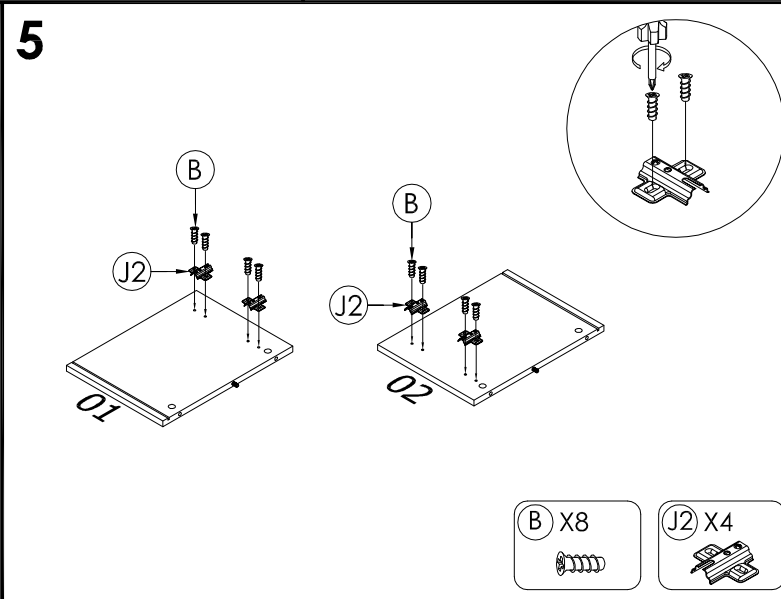
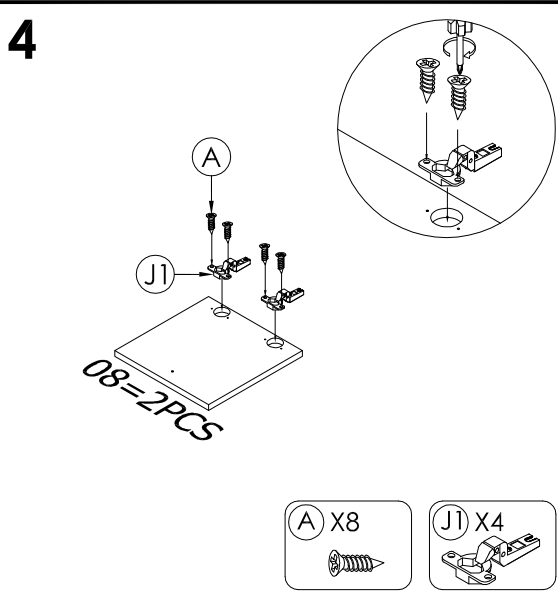
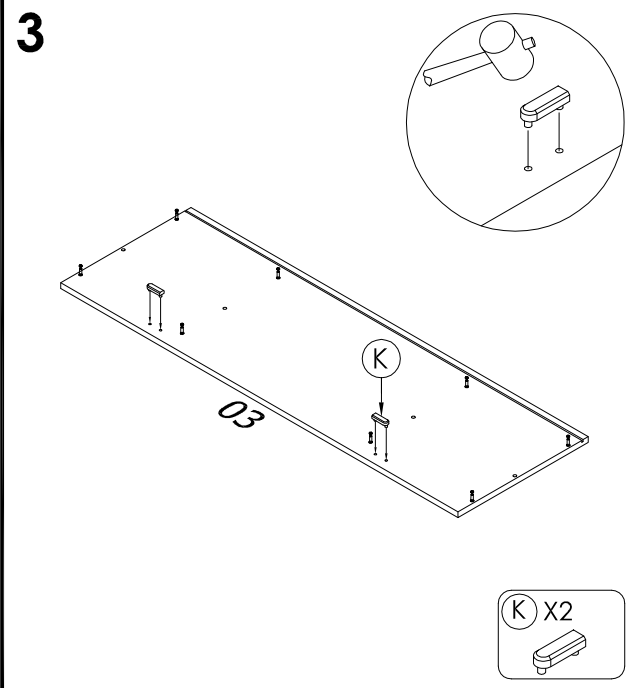
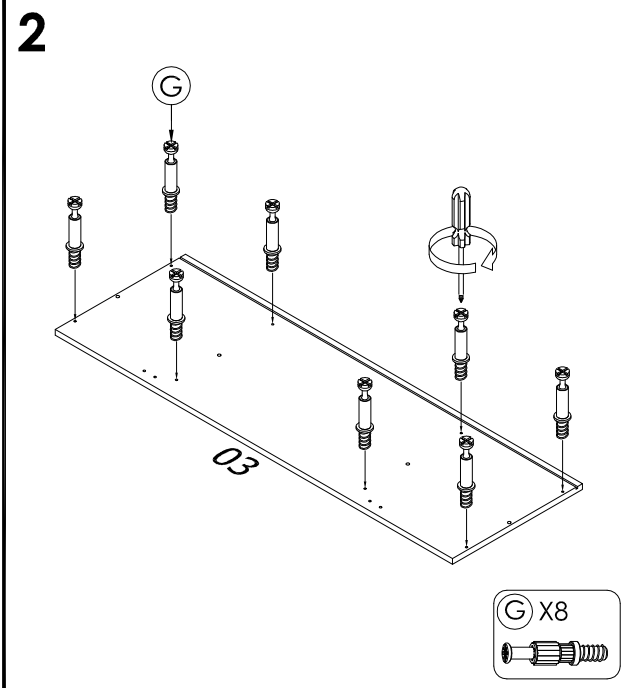
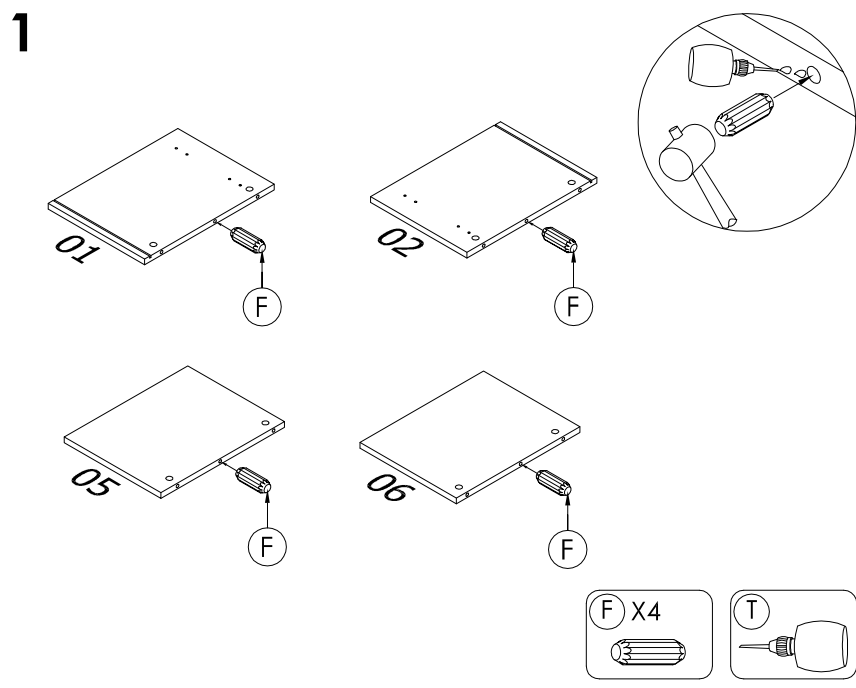
**WARNING! NOT SUITABLE FOR CHILDREN
UNDER 3 YEARS. CONTAINS SMALL PARTS.**

CAUTION
MATERIAL USED - LAMINATED MEDIUM DENSITY FIBERBOARD AND PARTICLEBOARD FRAME * TO CLEAN USING SOFT, DRY, CLOTH * DO NOT USE DETERGENT OR CHEMICALS * AVOID CONTACT WITH WATER AND DIRECT SUNLIGHT * TO BE ASSEMBLED ON A SOFT, DRY, CLEAN AND SMOOTH SURFACE * DO NOT USE POWER DRILLS TO ASSEMBLE AS THIS MAY CAUSE DAMAGE TO THE PRODUCT IF OVER-TIGHTENED



A		CSK SCREW M3.5 X 15MM	20
B		EURO SCREW M6 X 13MM	20
C		JCBC(W) SCREW M6 X 40MM	8
D		JCBC SCREW M6 X 15MM	2
E		JCN NUT Ø6 X L13MM	2
F		WOOD DOWEL (Ø8 X 25MM)	4

G		9047975 BOLT DOWEL DU319 20X5MM	8
H		9064684 CAM 15/15	8
J1		METAL HINGES (7/8") W/ SPRING	4
J2		HINGES PLATE	4
K		PLASTIC DOOR STOPPER	2
L		9933 WOODEN HDL KNOB (D20, H22) NATURAL= (1PC) WITH SCREW (MC4 X 25MM)= (1PC)	2 SETS
M		T SHAPE METAL LEG WITH ADJUSTABLE LEG (Ø25 X 145MM)	1
N		ROUND STICKER (Ø18MM)	2
P		METAL 10° BRACKET (1.5 X 82 X 82MM)	4
Q		METAL ADJUSTABLE SHELF STUD	4
R		ALLEN KEY M4	1
S		BACKPLY STOPPER	12
T		GLUE	1

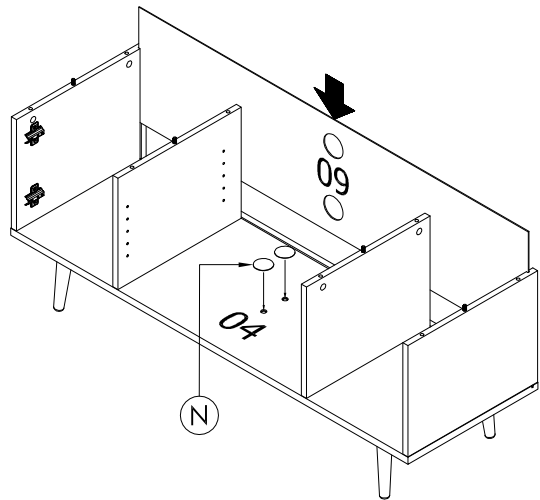


ASSEMBLING GUIDE MODEL 7351-9-02

**WARNING! NOT SUITABLE FOR CHILDREN
UNDER 3 YEARS. CONTAINS SMALL PARTS.**

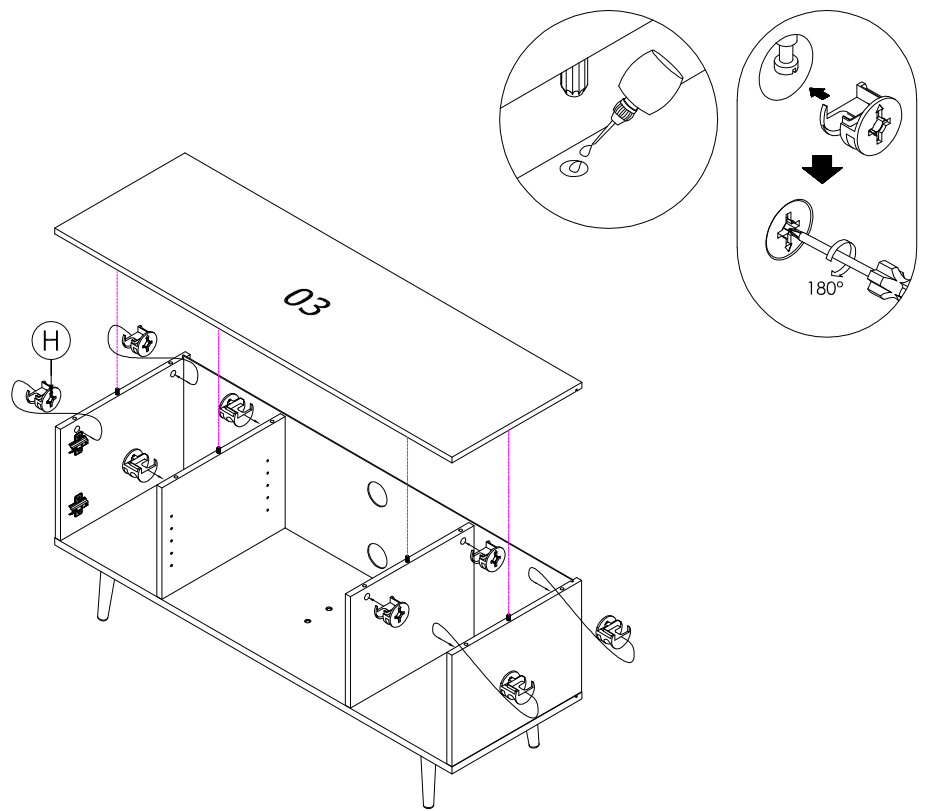
CAUTION
MATERIAL USED - LAMINATED MEDIUM DENSITY FIBERBOARD AND PARTICLEBOARD FRAME * TO CLEAN
USING SOFT, DRY, CLOTH * DO NOT USE DETERGENT OR CHEMICALS * AVOID CONTACT WITH WATER AND
DIRECT SUNLIGHT * TO BE ASSEMBLED ON A SOFT, DRY, CLEAN AND SMOOTH SURFACE * DO NOT USE
POWER DRILLS TO ASSEMBLE AS THIS MAY CAUSE DAMAGE TO THE PRODUCT IF OVER-TIGHTENED

9



(N) X2

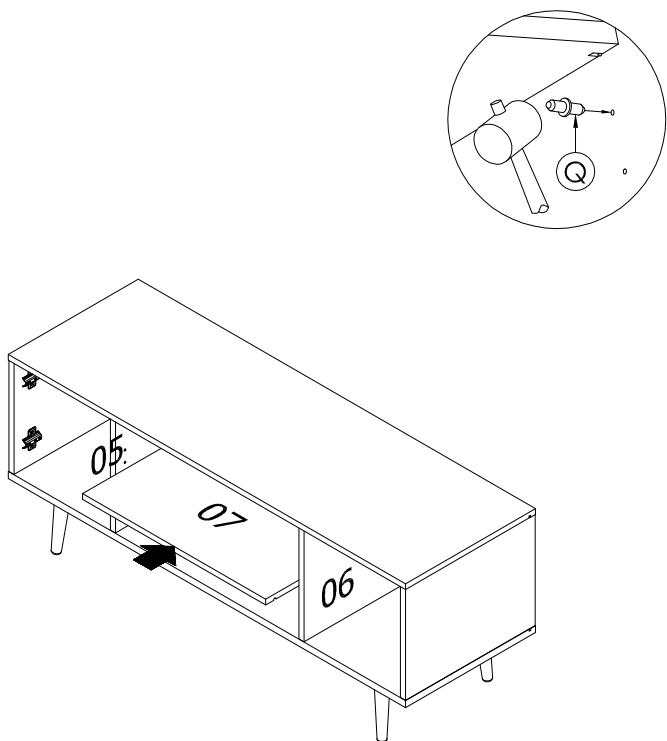
10



(H) X8

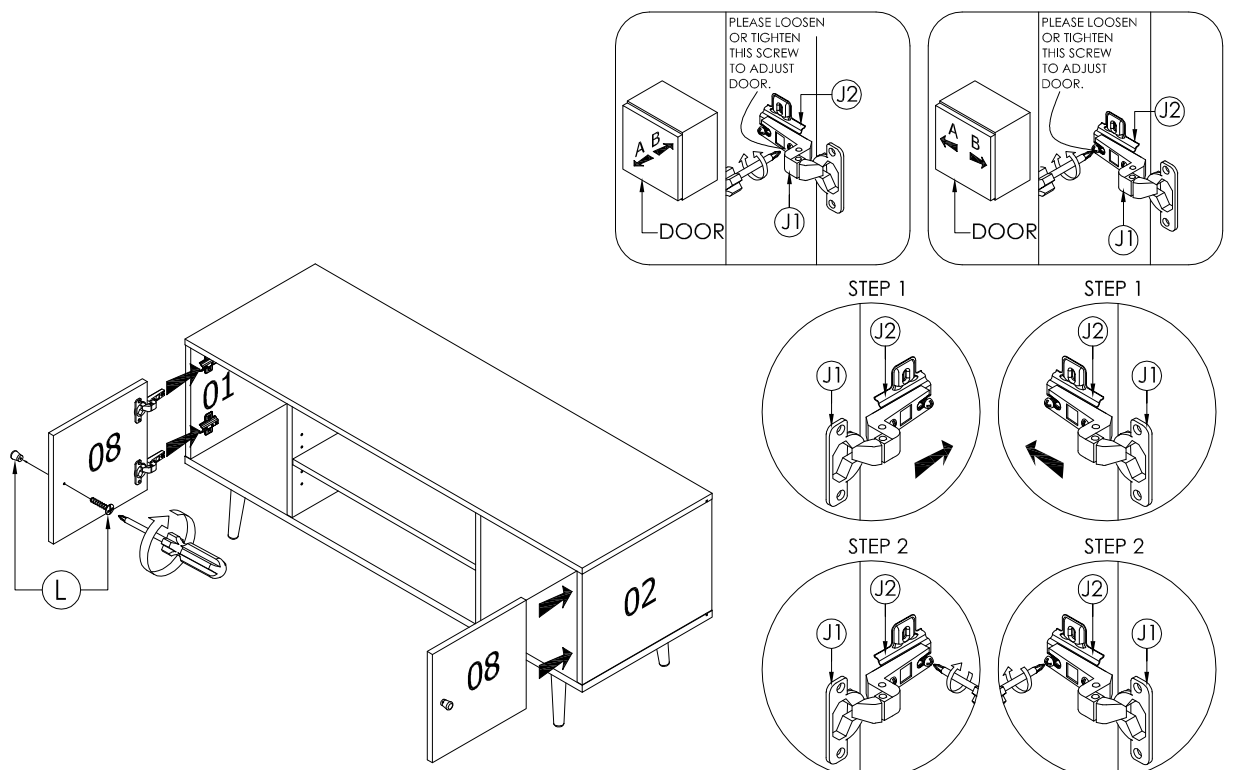


11



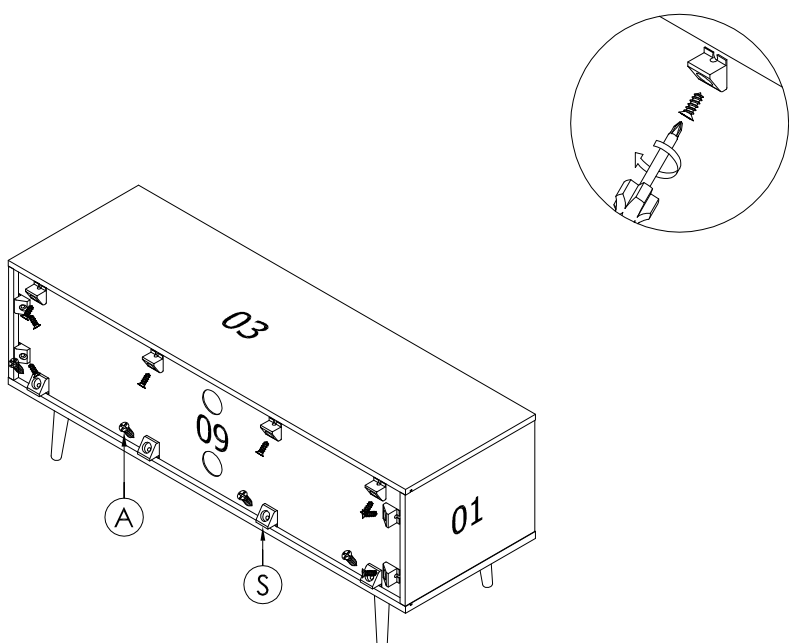
(Q) X4

12



(L) X2

13



(A) X12

(S) X12

14

