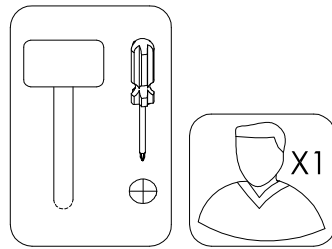
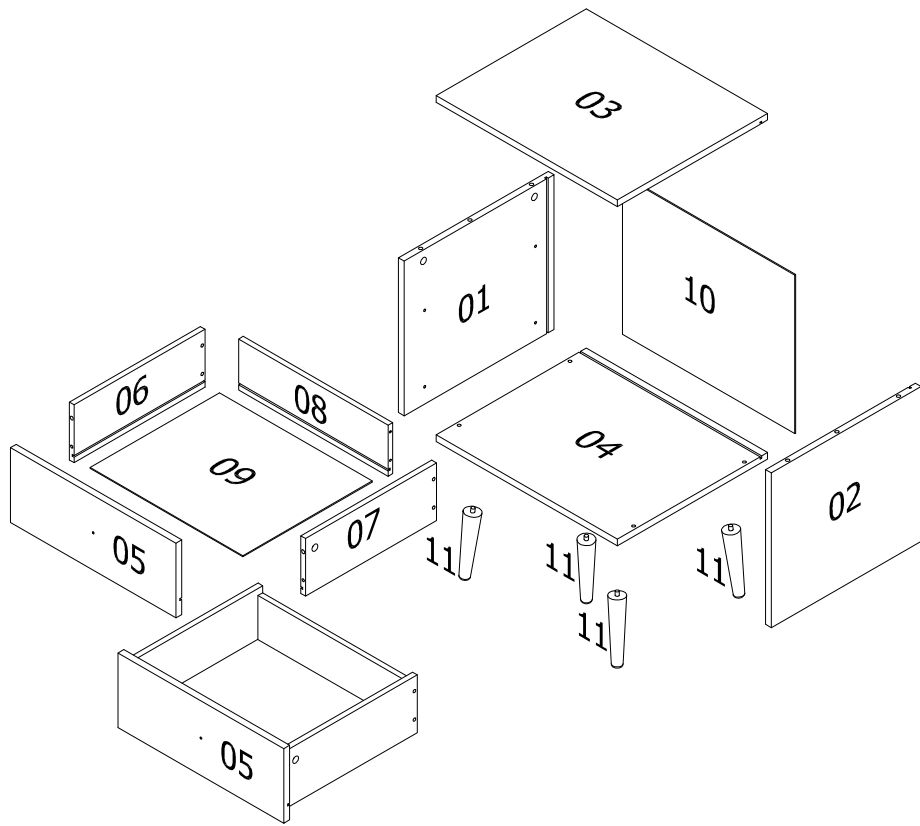


ASSEMBLING GUIDE MODEL 8258-9-02

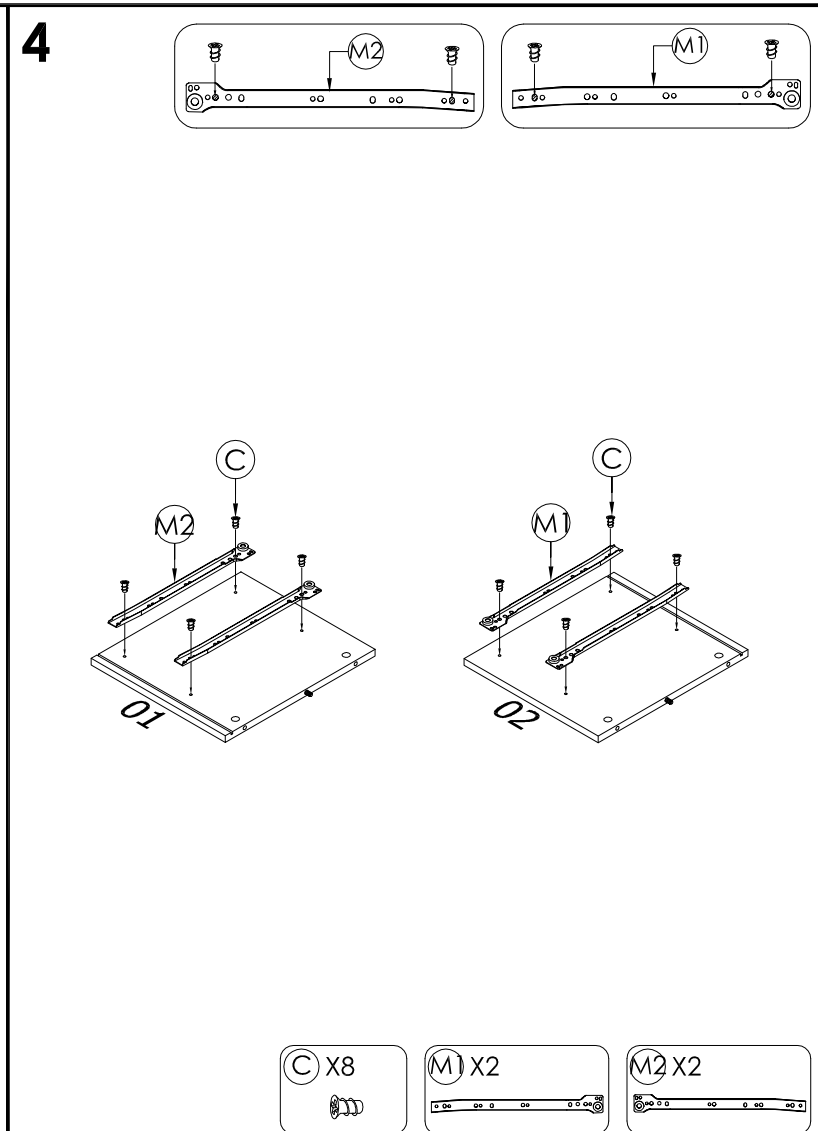
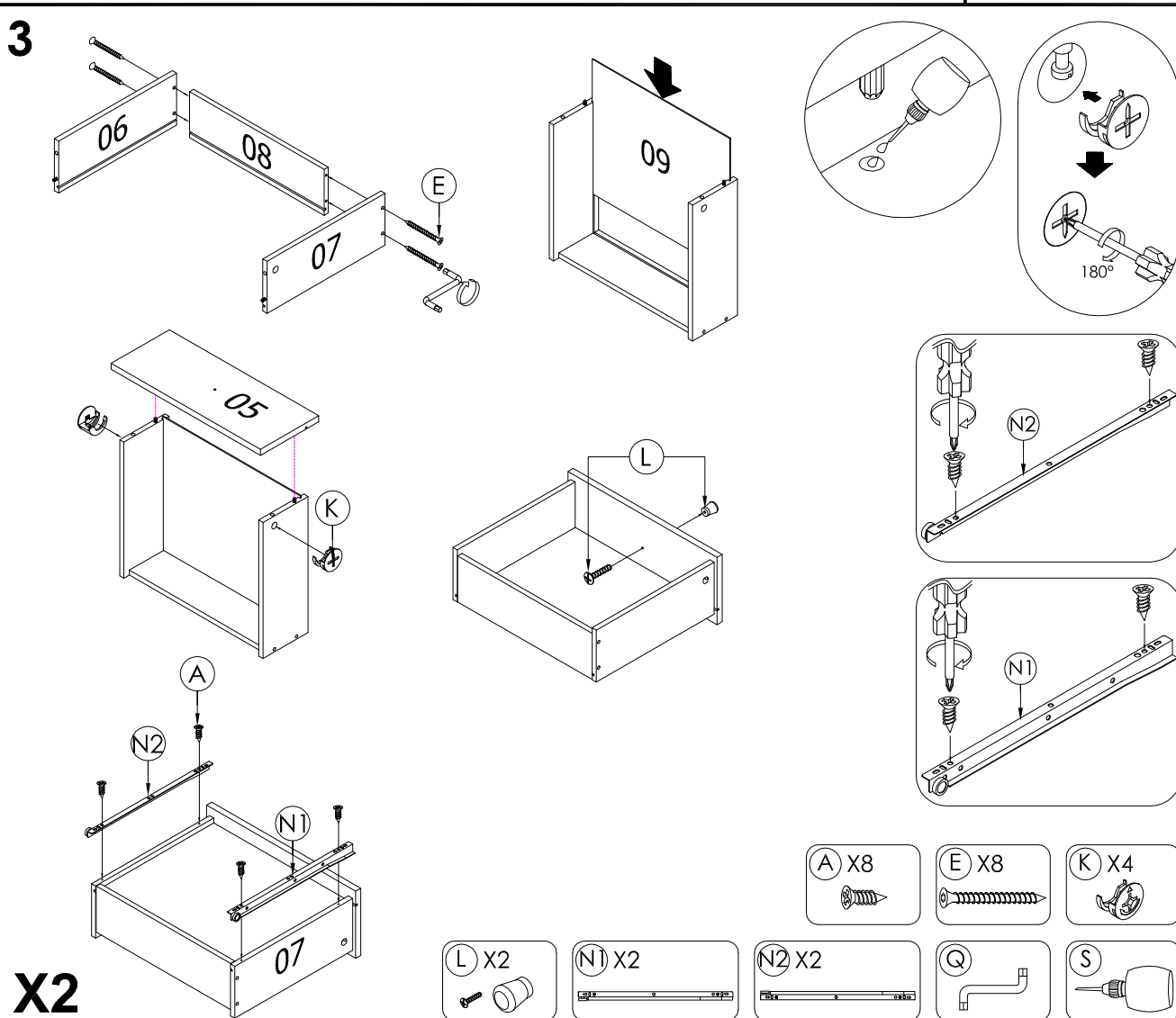
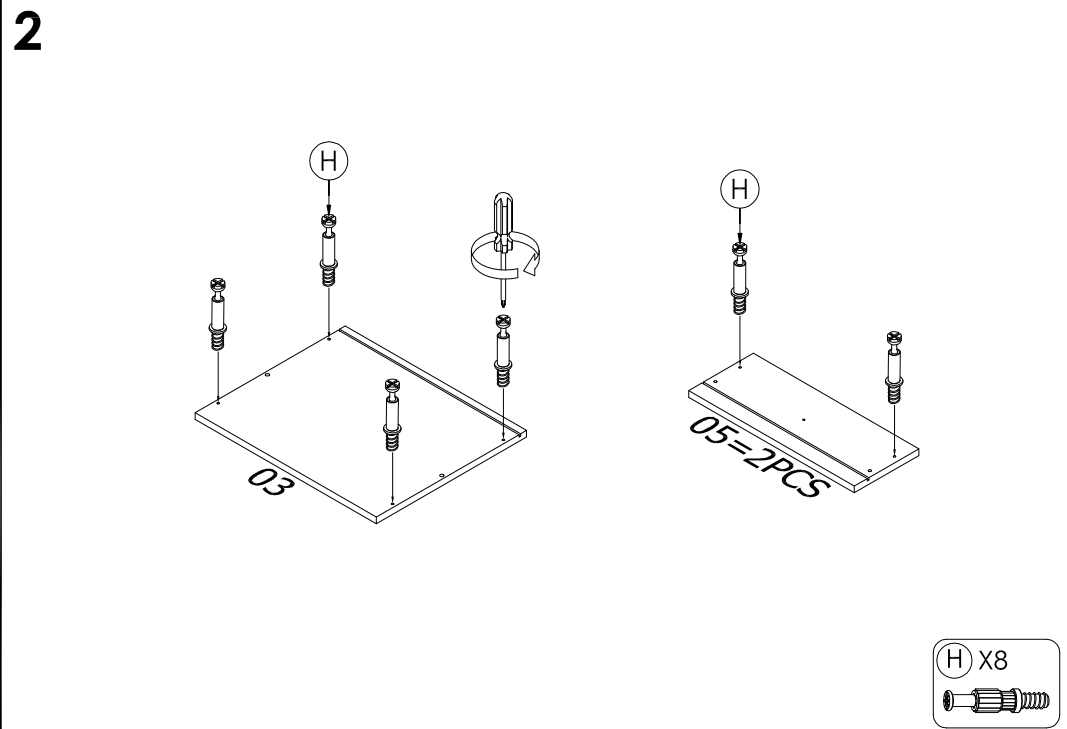
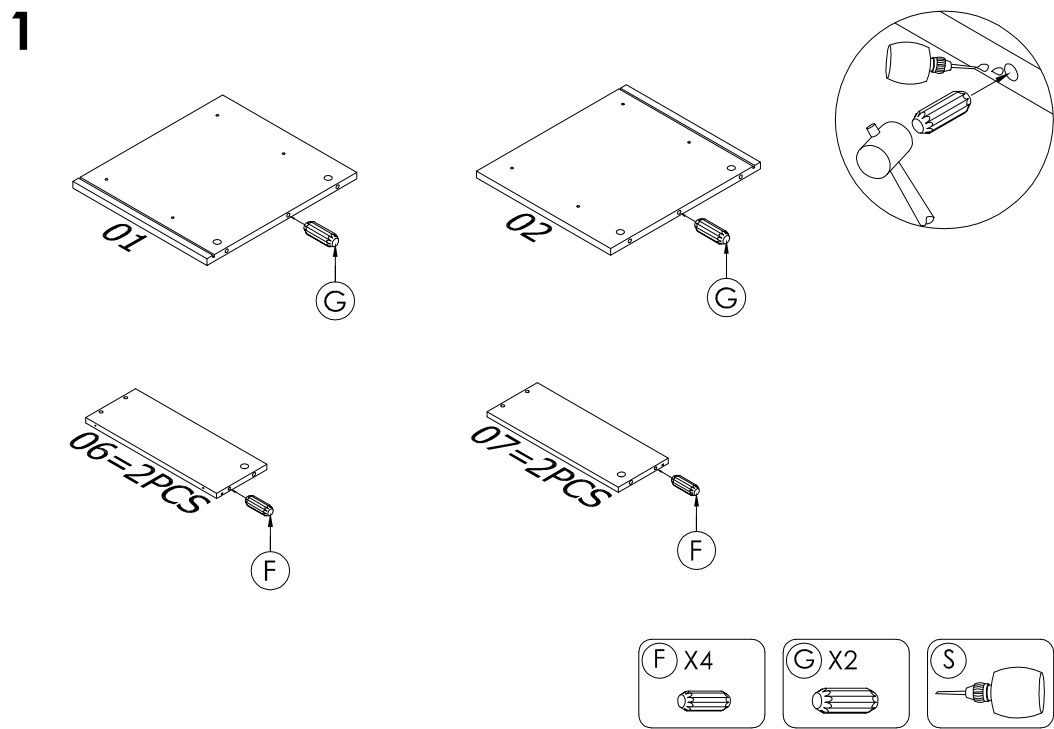
**WARNING! NOT SUITABLE FOR CHILDREN
UNDER 3 YEARS. CONTAINS SMALL PARTS.**

CAUTION
MATERIAL USED - LAMINATED MEDIUM DENSITY FIBERBOARD AND PARTICLEBOARD FRAME * TO CLEAN
USING SOFT, DRY, CLOTH * DO NOT USE DETERGENT OR CHEMICALS * AVOID CONTACT WITH WATER AND
DIRECT SUNLIGHT * TO BE ASSEMBLED ON A SOFT, DRY, CLEAN AND SMOOTH SURFACE * DO NOT USE
POWER DRILLS TO ASSEMBLE AS THIS MAY CAUSE DAMAGE TO THE PRODUCT IF OVER-TIGHTENED



A		CSK SCREW M3.5 X 12MM	8
B		CSK SCREW M3.5 X 15MM	8
C		EURO SCREW M6 X 9MM	8
D		EURO SCREW M6 X 13MM	12
E		JCB(W) SCREW M6 X 40MM	12
F		WOOD DOWEL (Ø6 X 20MM)	4
G		WOOD DOWEL (Ø8 X 25MM)	2

H		9047975 BOLT DOWEL DU319 20X5MM	8
J		9064684 CAM 15/15	4
K		9116018 CAM 15/12	4
L		9933 WOODEN HDL KNOB (D20, H22) NATURAL= (1PC) WITH SCREW (MC4 X 25MM)= (1PC)	2 SETS
M1		METAL DRAWER SLIDE CR(350MM)	2
M2		METAL DRAWER SLIDE CL (350MM)	2
N1		METAL DRAWER SLIDE DR(350MM)	2
N2		METAL DRAWER SLIDE DL (350MM)	2
P		METAL 10° BRACKET (1.5 X 82 X 82MM)	4
Q		ALLEN KEY M4	1
R		BACKPLY STOPPER	8
S		GLUE	1

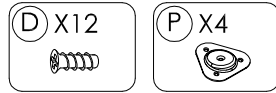
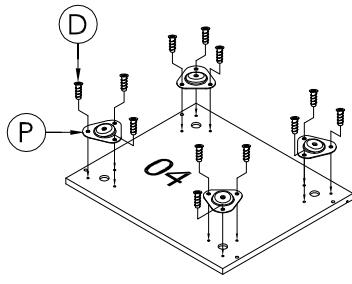


ASSEMBLING GUIDE MODEL 8258-9-02

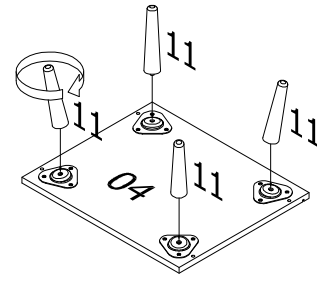
**WARNING! NOT SUITABLE FOR CHILDREN
UNDER 3 YEARS. CONTAINS SMALL PARTS.**

CAUTION
MATERIAL USED - LAMINATED MEDIUM DENSITY FIBERBOARD AND PARTICLEBOARD FRAME * TO CLEAN
USING SOFT, DRY, CLOTH * DO NOT USE DETERGENT OR CHEMICALS * AVOID CONTACT WITH WATER AND
DIRECT SUNLIGHT * TO BE ASSEMBLED ON A SOFT, DRY, CLEAN AND SMOOTH SURFACE * DO NOT USE
POWER DRILLS TO ASSEMBLE AS THIS MAY CAUSE DAMAGE TO THE PRODUCT IF OVER-TIGHTENED

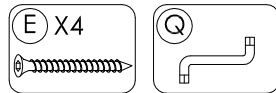
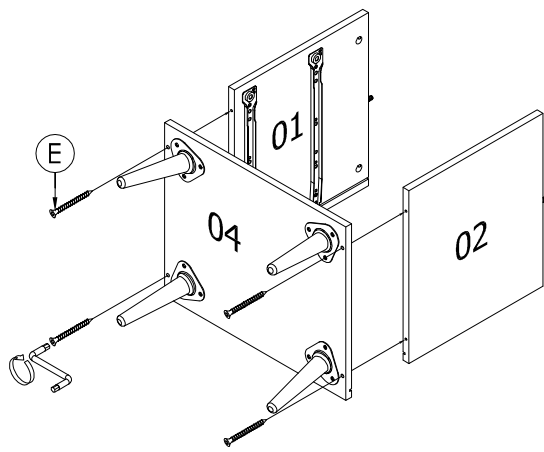
5



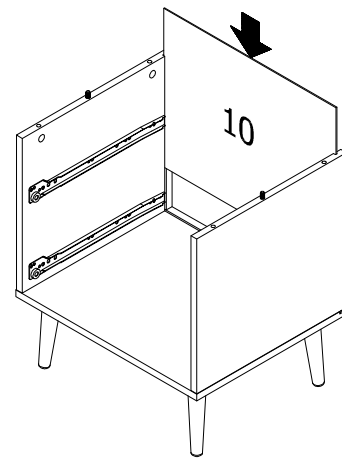
6



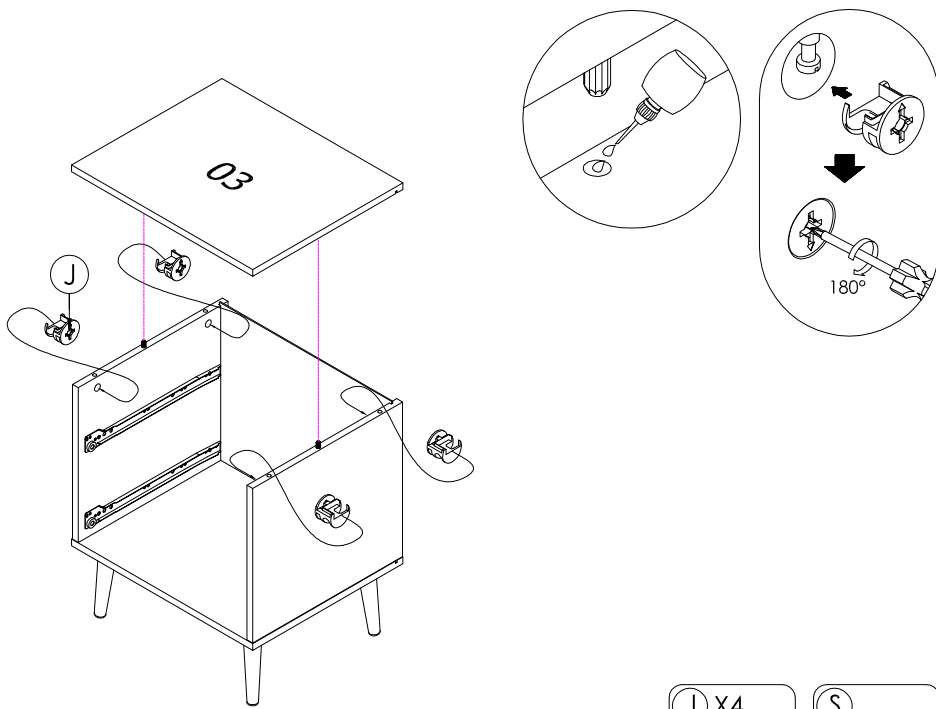
7



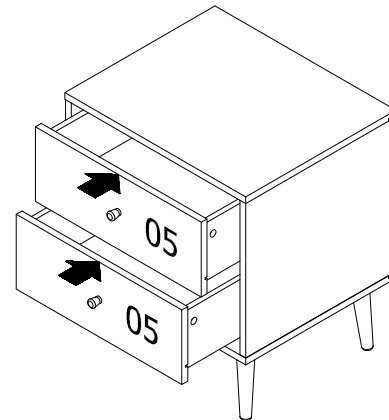
8



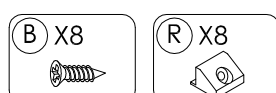
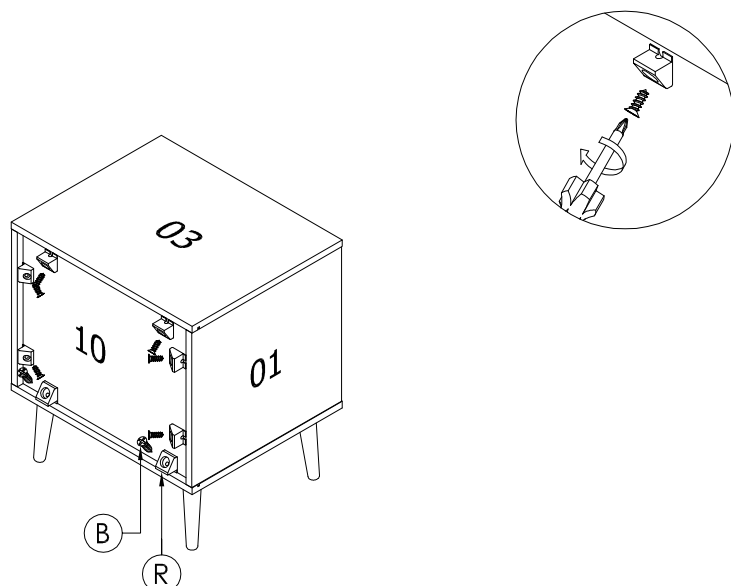
9



10



11



12

