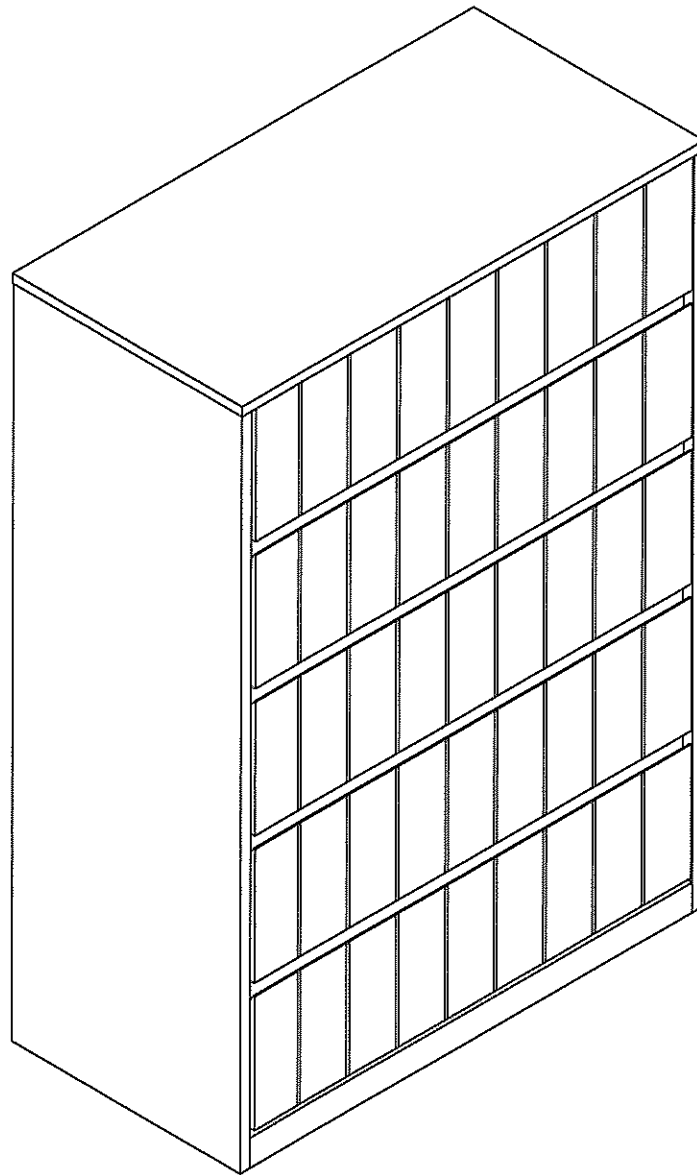


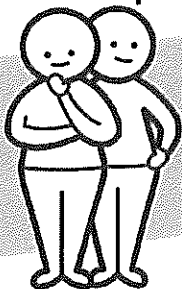


**Fantastic
Furniture**

Version 1.0



Two People



Required

Jordan
Tallboy 5 Drawer

fantasticfurniture.com.au



Warning: Ensure the wall strap is attached to avoid serious injury.

To avoid any serious or fatal injury, a wall strap has been provided with this product to prevent toppling. We strongly recommend that this product is permanently fixed to the wall or other suitable surface. Fixing devices are not included since different surface materials require different attachments. Please seek professional advice if you are in doubt of what fixing device to use.

**Looks like you've found
your Fantastic!**

We're thrilled you've chosen Fantastic Furniture
to help create a home you'll love!



**Fantastic
Furniture**

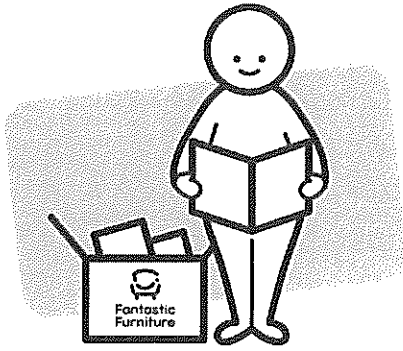
Love it? Share it!

Fantastic buy! Share how it looks at home on Instagram for
your chance to win a \$250 Fantastic Furniture Gift Card!
[@fantasticfurniture](#)

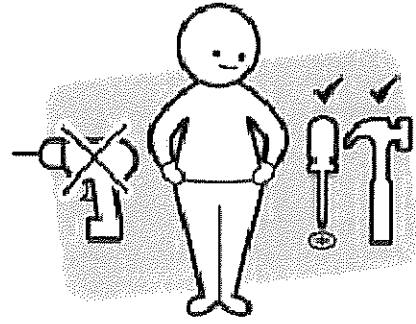


**Fantastic
Furniture**

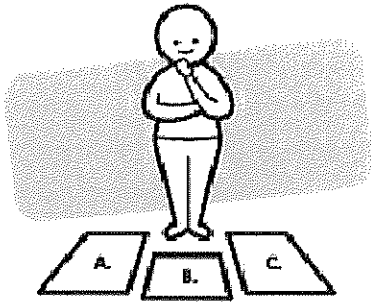
Assembly Checklist



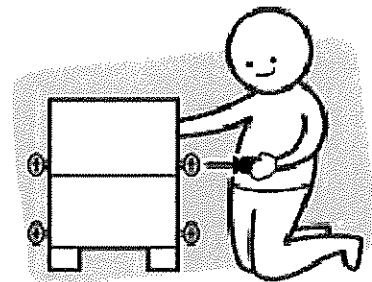
Read through instructions carefully before you begin



Make sure you have all the required tools. Never use power tools unless instructed.



Identify and lay out all of the components before you begin assembly.



Unless Instructed, do not fully tighten screws until the item is fully assembled.

Useful Information

- ! Never use power tools unless specifically instructed. They can damage your components or hardware if used incorrectly.
- ! The most common mistake made during assembly are using the wrong hardware or getting components back to front.
- ! Always use a soft surface (such as carpet or cardboard) when assembling your product to avoid scratching or damaging the surface of the product.
- ! Bulky items such as wardrobes and bunk beds should be assembled in the room they will be used as they may not fit through a door once assembled.
- ! Never use any glue until you are certain that the parts belong together.
- ! Periodically check and re-tighten all fasteners. Check the product care label or website for product care instructions.
- ! If you are having any difficulties assembling your product, missing any hardware or components please visit our website Help Centre for further assistance.
- ! Please see page 2 for any safety requirements or weight restrictions.



**Fantastic
Furniture**

What you need to assemble the product

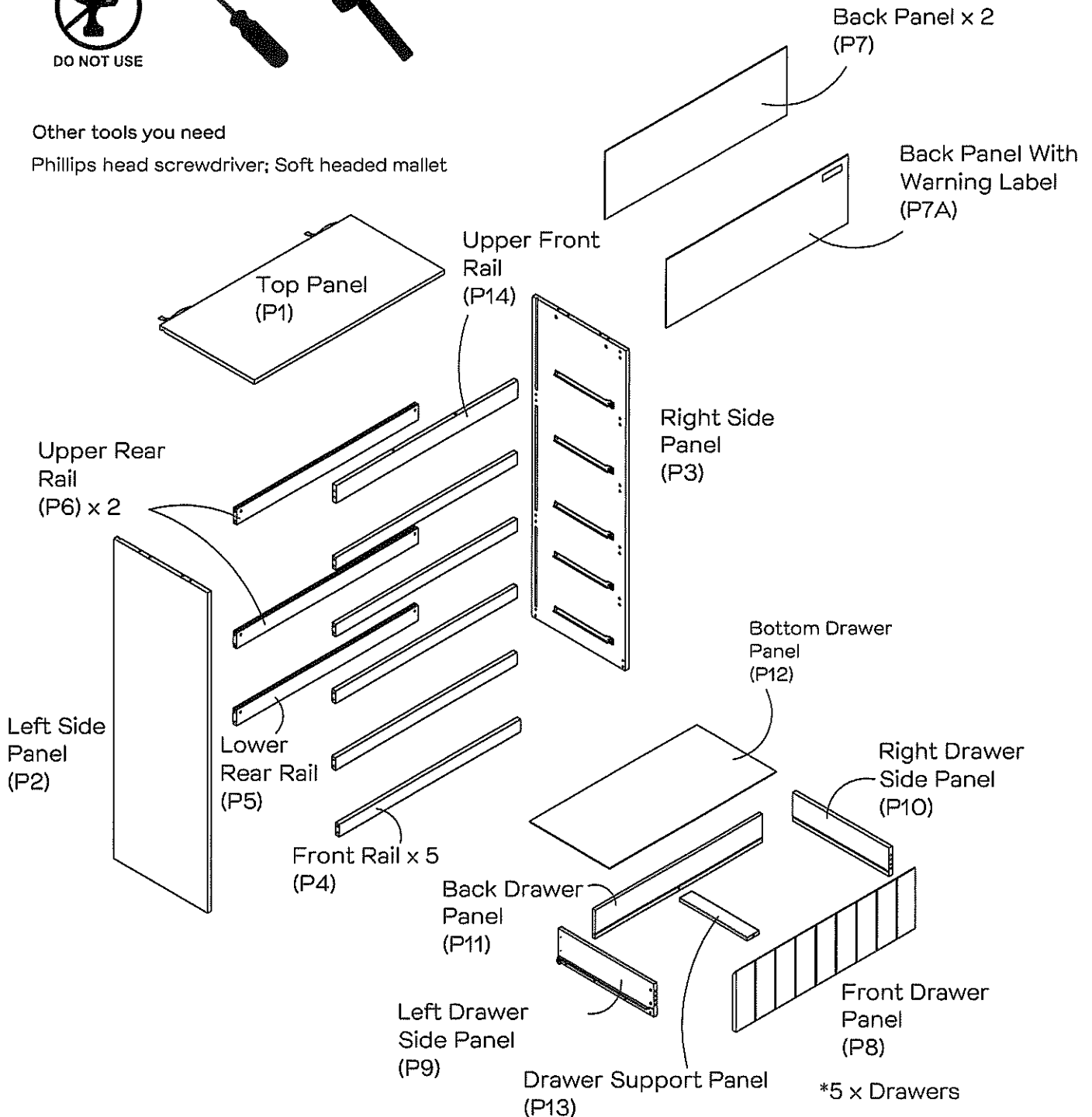


DO NOT USE



Other tools you need

Phillips head screwdriver; Soft headed mallet



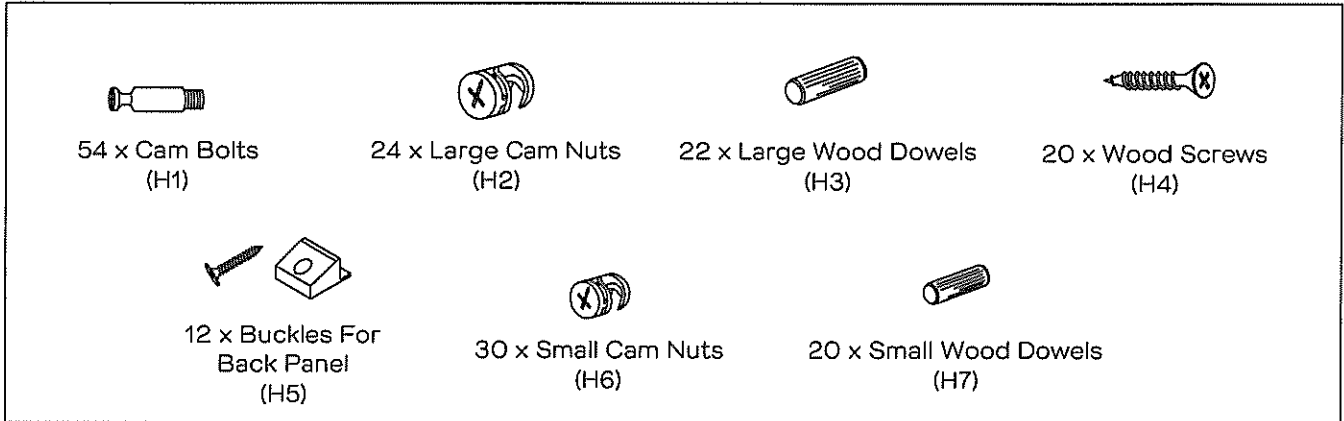
Part list

Table Top (P1), Left Side Panel (P2), Right Side Panel (P3), Front Rails (P4), Lower Rear Rail (P5), Upper Rear Rails (P6), Back Panels (P7), Back Panel With Warning Label (P7A), Front Drawer Panels (P8), Left Drawer Side Panels (P9), Right Drawer Side Panels (P10), Back Drawer Panels (P11), Bottom Drawer Panels (P12), Drawer Support Panels (P13), Upper Front Rail (P14), Hardware Pack.



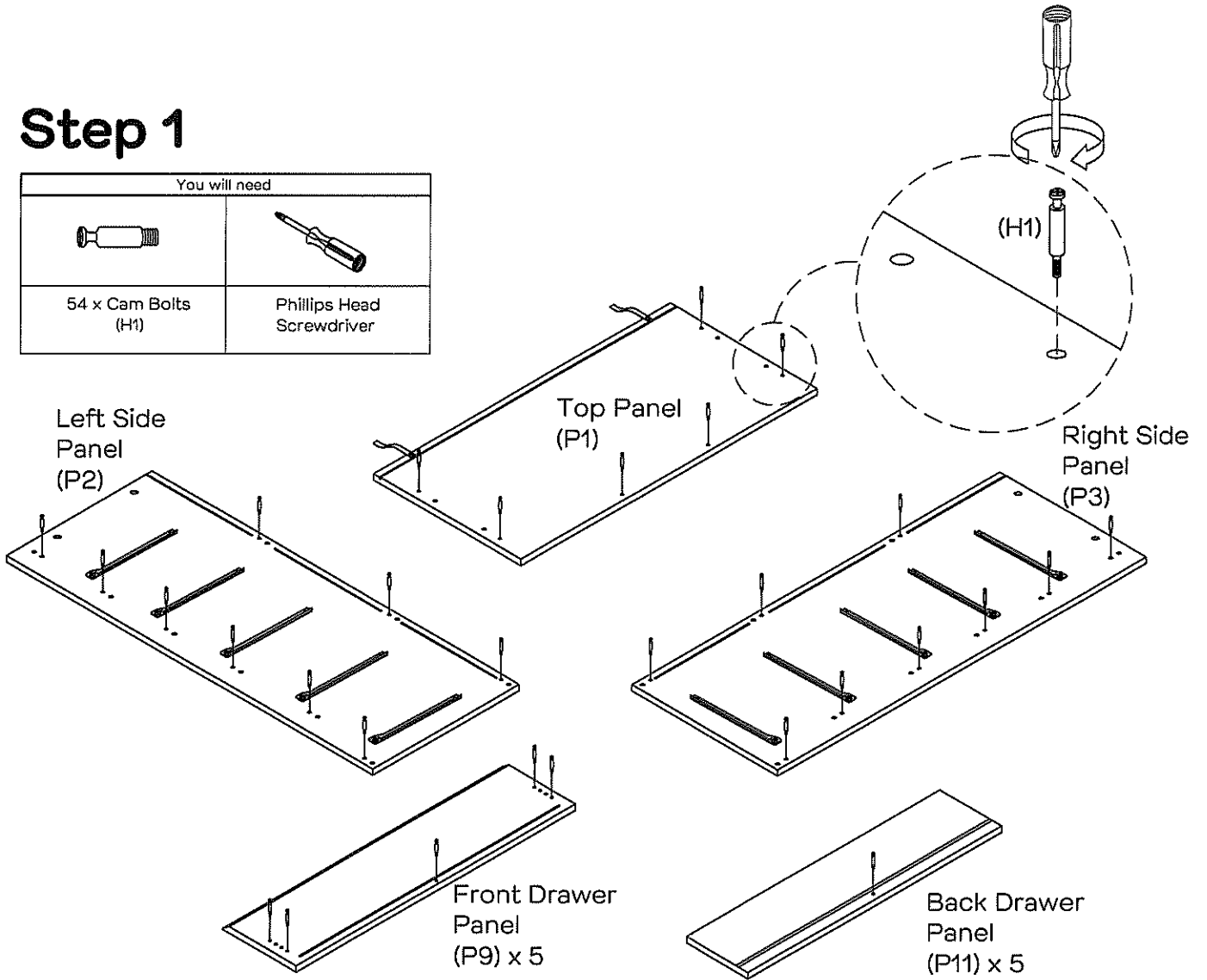
Fantastic
Furniture

Hardware pack



Step 1

You will need	
54 x Cam Bolts (H1)	Phillips Head Screwdriver

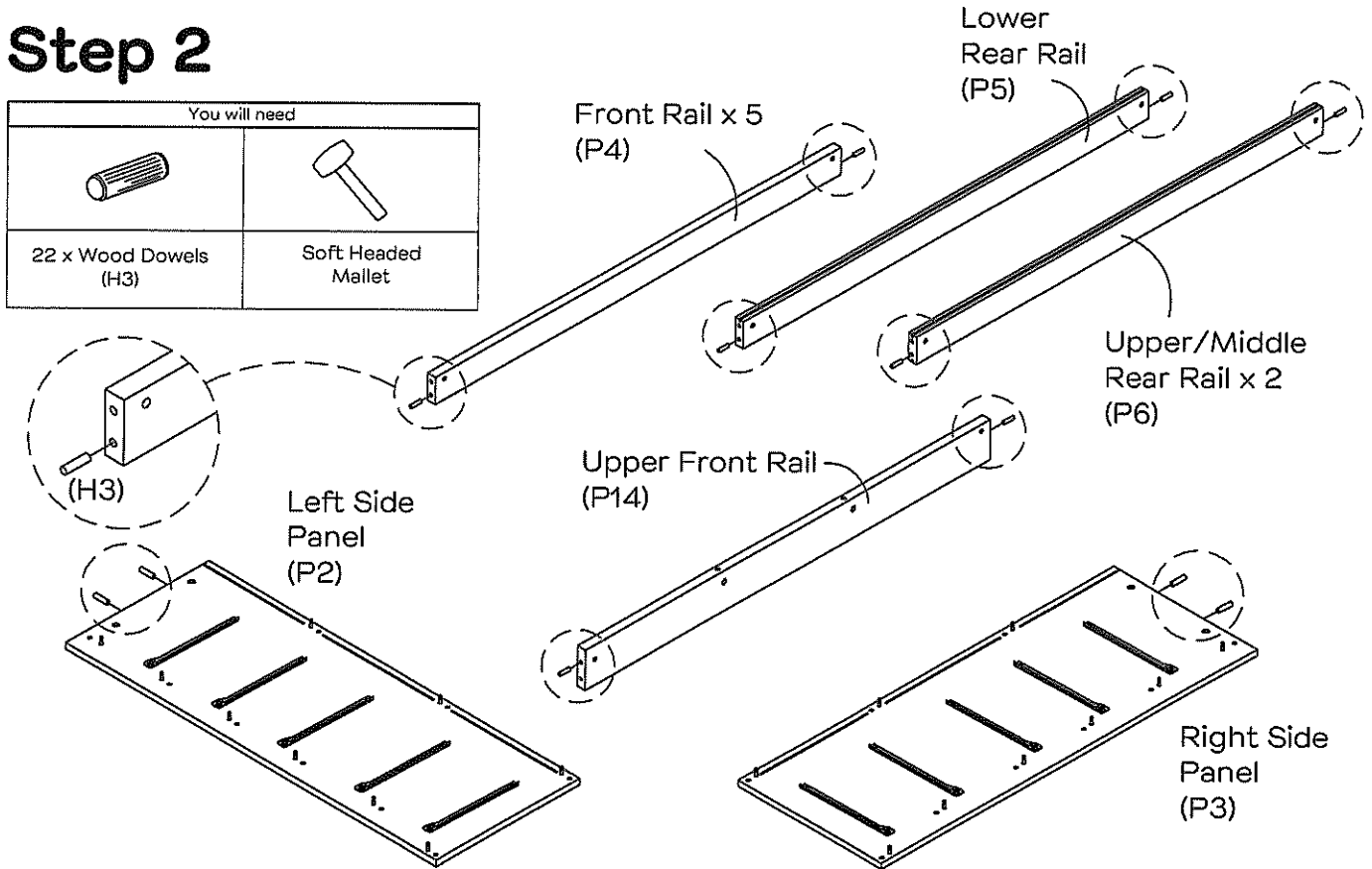


Insert 54 x cam bolts (H1) into the panels as shown, tighten with a phillips head screwdriver.



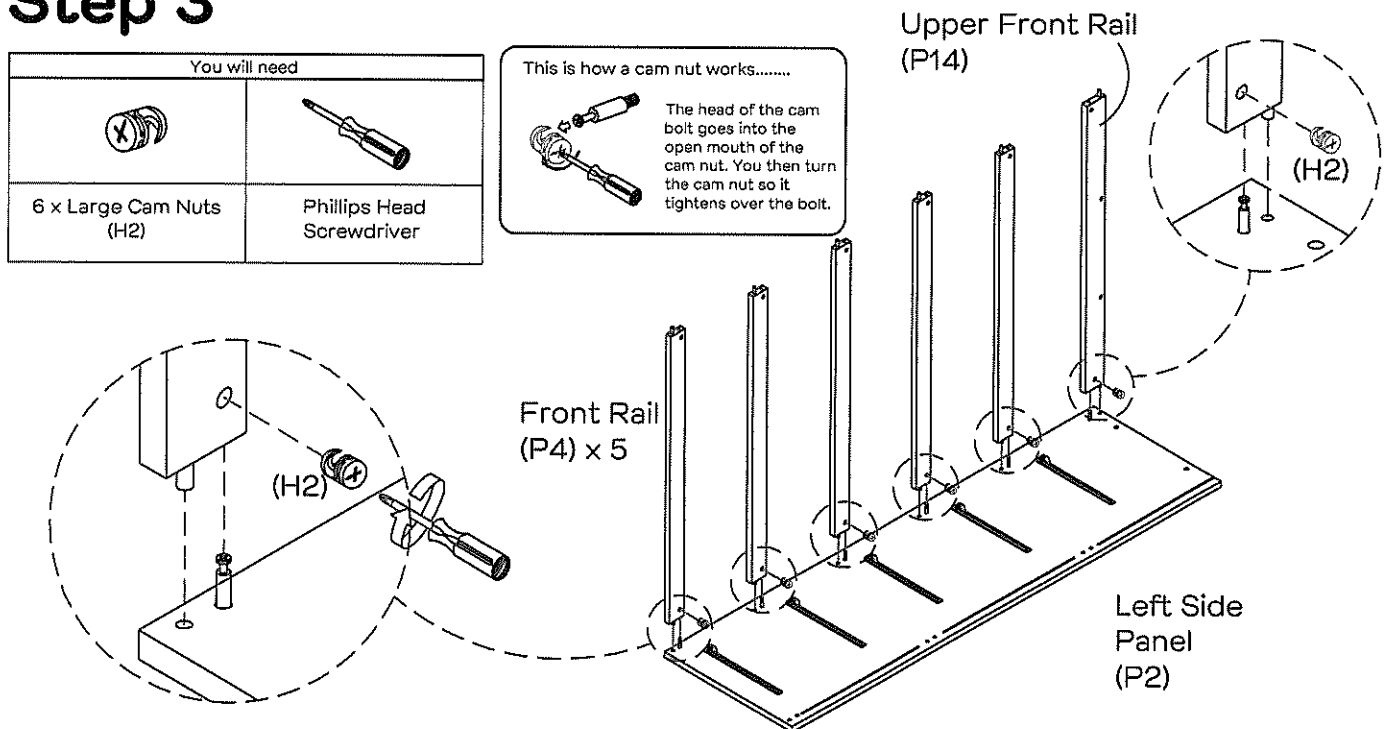
Fantastic Furniture

Step 2



Insert 22 x large wood dowels (H3) to the rails & panels as shown by hand or gently using a soft headed mallet.

Step 3



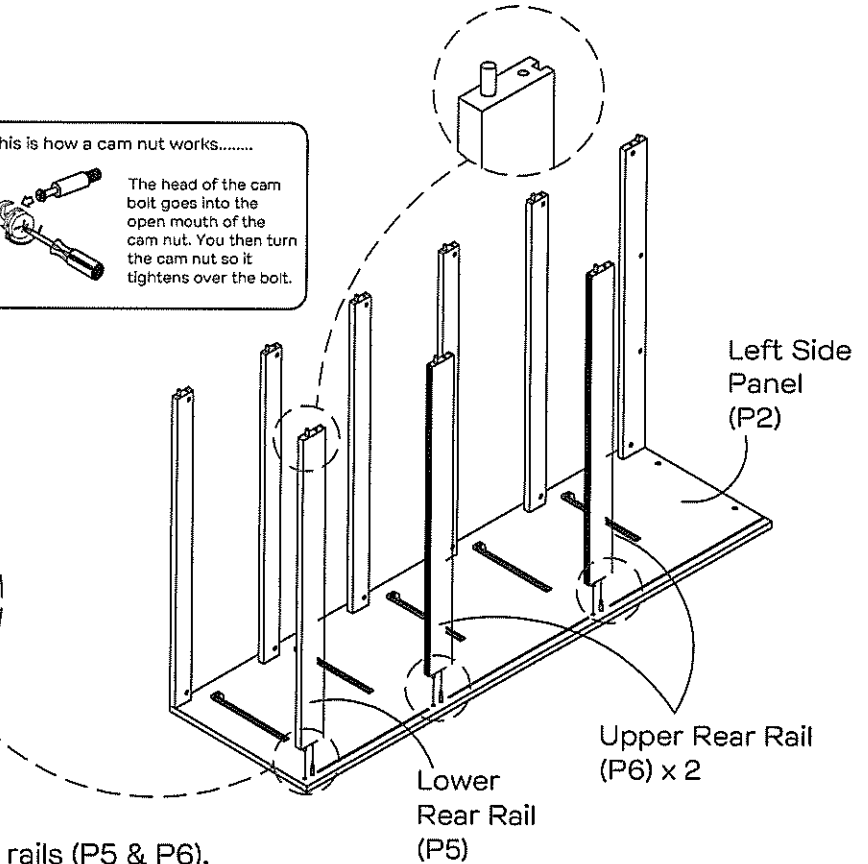
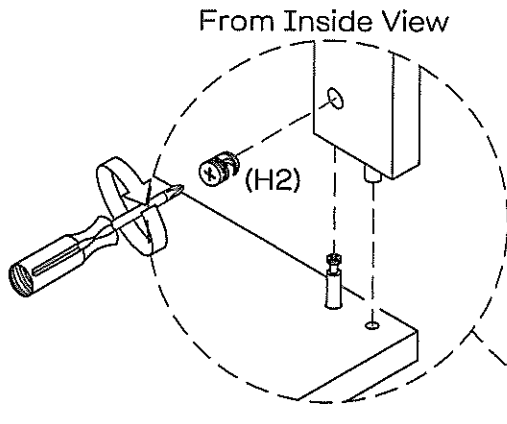
Insert 5 x large cam nuts (H2) into the front rails (P4) & 1 x cam nut (H2) into upper front rail (P14). Rotate the cam nuts (H2) so the arrows point towards the incoming cam bolts. Attach the 5 x front rails (P4) & upper front rail (P14) to the left side panel (P2). Turn the cam nuts (H2) on the rails (P4 & P14) clockwise with a phillips head screwdriver to lock into position.

Step 4

You will need	
3 x Large Cam Nuts (H2)	Phillips Head Screwdriver

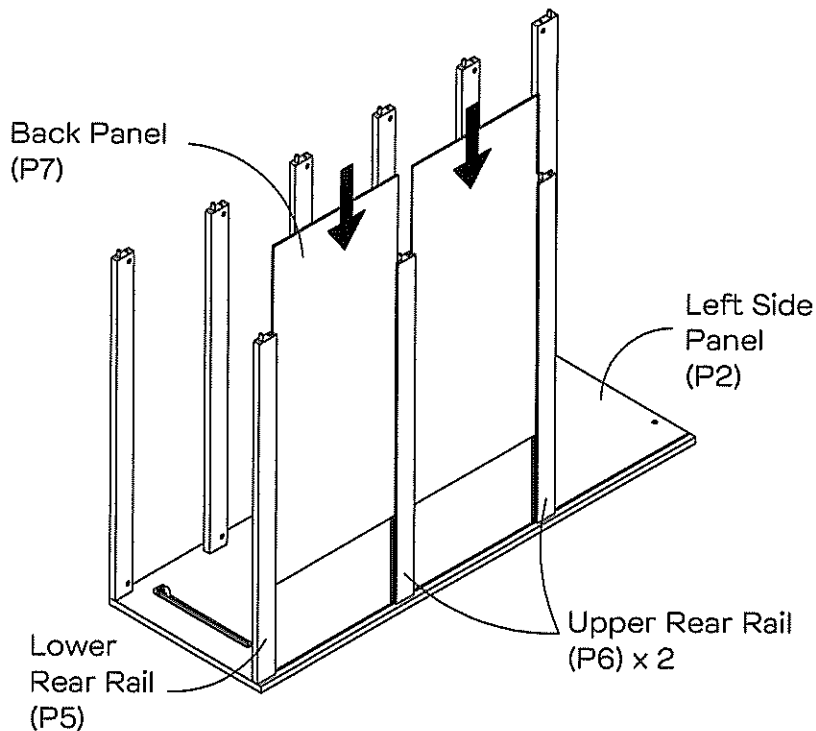
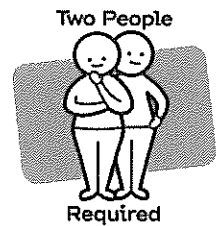
This is how a cam nut works.....

The head of the cam bolt goes into the open mouth of the cam nut. You then turn the cam nut so it tightens over the bolt.



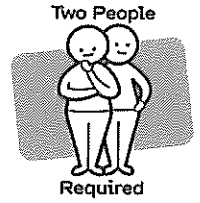
Insert 3 x large cam nuts (H2) into the rails (P5 & P6).
 Rotate the cam nuts (H2) so the arrows point towards the incoming cam bolts.
 Attach the rails (P5 & P6) to the left side panel (P2).
 Turn the cam nuts (H2) on the rails (P5 & P6) clockwise with a phillips head screwdriver to lock into position.

Step 5



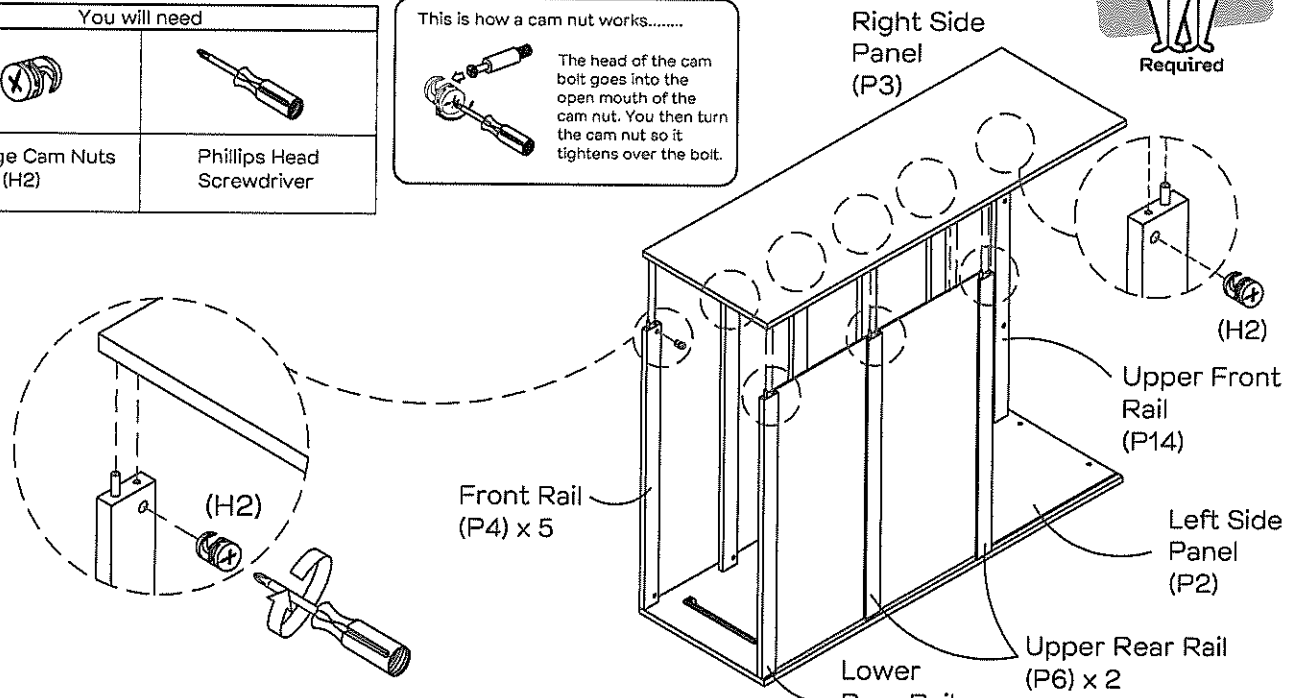
Slot in 2 x back panels (P7) into the grooves of the panels (P5, P6 & P2).

Step 6



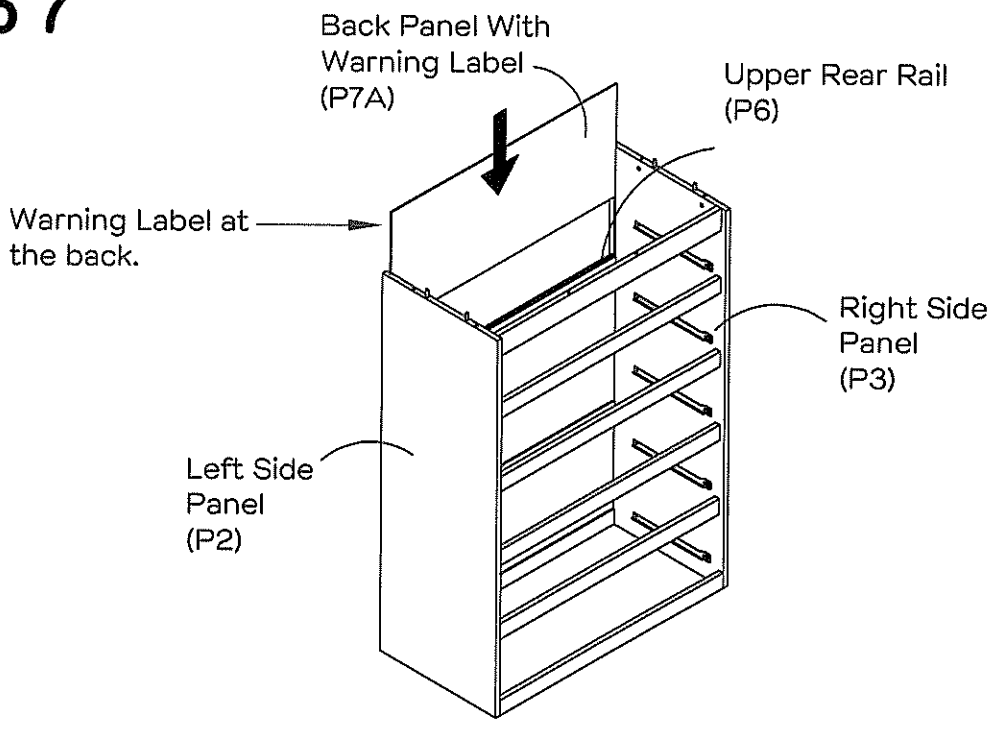
You will need	
9 x Large Cam Nuts (H2)	Phillips Head Screwdriver

This is how a cam nut works.....
 The head of the cam bolt goes into the open mouth of the cam nut. You then turn the cam nut so it tightens over the bolt.



Insert 9 x large cam nuts (H2) into rails (P4, P5, P6 & P14).
 Rotate the cam nuts (H2) so the arrows point towards the incoming cam bolts.
 Attach the right side panel (P3) to the rails (P4, P5, P6 & P14).
 Turn the cam nuts (H2) on the rails (P4, P5, P6 & P14) clockwise with a phillips head screwdriver to lock into position.

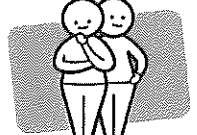
Step 7



Slot in the back panel (P7A) into the grooves of panels (P2, P3 & P6). The warning label should be facing the back.

Step 8

Two People

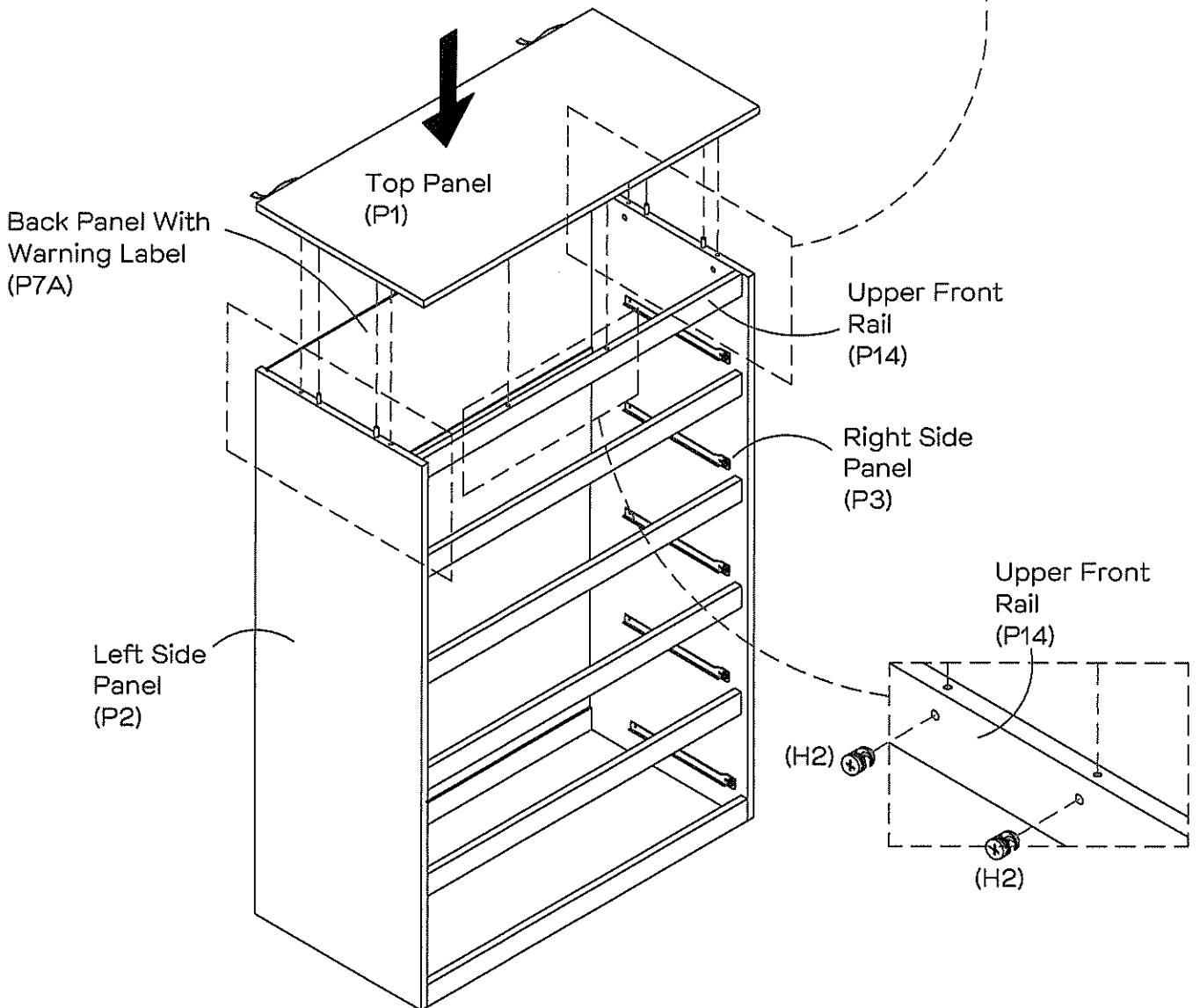


Required

You will need	
6 x Large Cam Nuts (H2)	Phillips Head Screwdriver

This is how a cam nut works.....

The head of the cam bolt goes into the open mouth of the cam nut. You then turn the cam nut so it tightens over the bolt.



Insert 6 x large cam nuts (H2) into the left & right side panels (P2 & P3) and upper front rail (P14).

Rotate the cam nuts (H2) so the arrows point towards the incoming cam bolts.



Attach the top panel (P1) to the panels (P2, P3, P7A & P14).

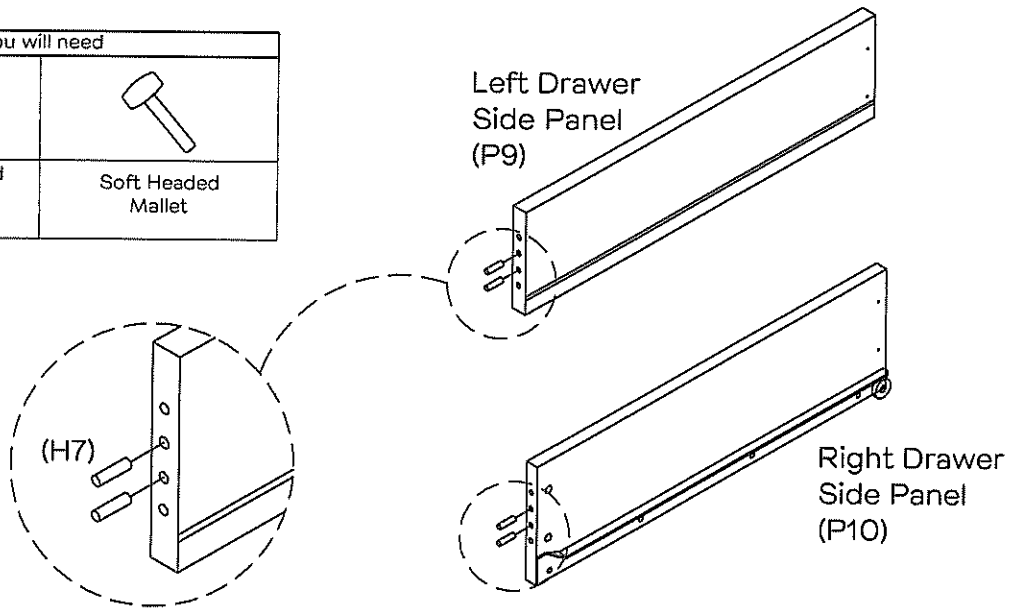
Turn the cam nuts (H2) on the panels (P2, P3, & P14) clockwise with a phillips head screwdriver to lock into position.



Fantastic Furniture



Step 9

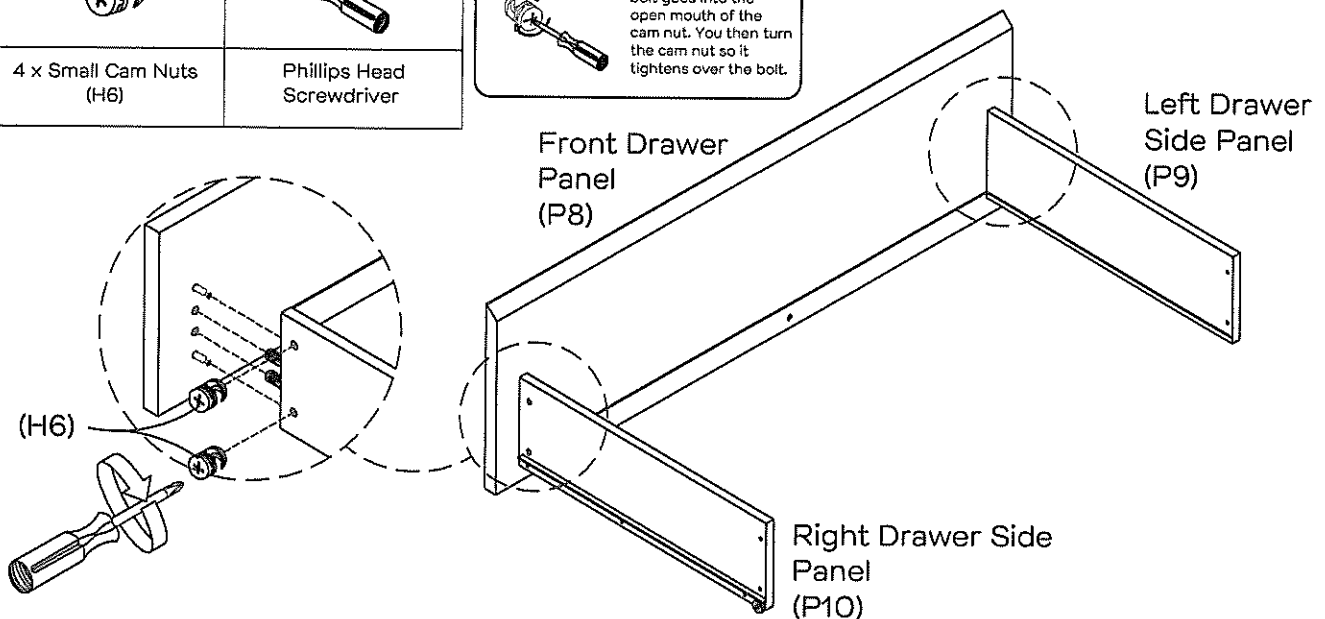
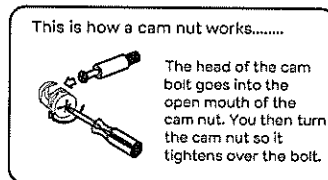
You will need	
	
4 x Small Wood Dowels (H7)	Soft Headed Mallet



Insert 4 x small wood dowels (H7) to the left & right drawer side panels (P9 & P10) as shown by hand or gently using a soft headed mallet.

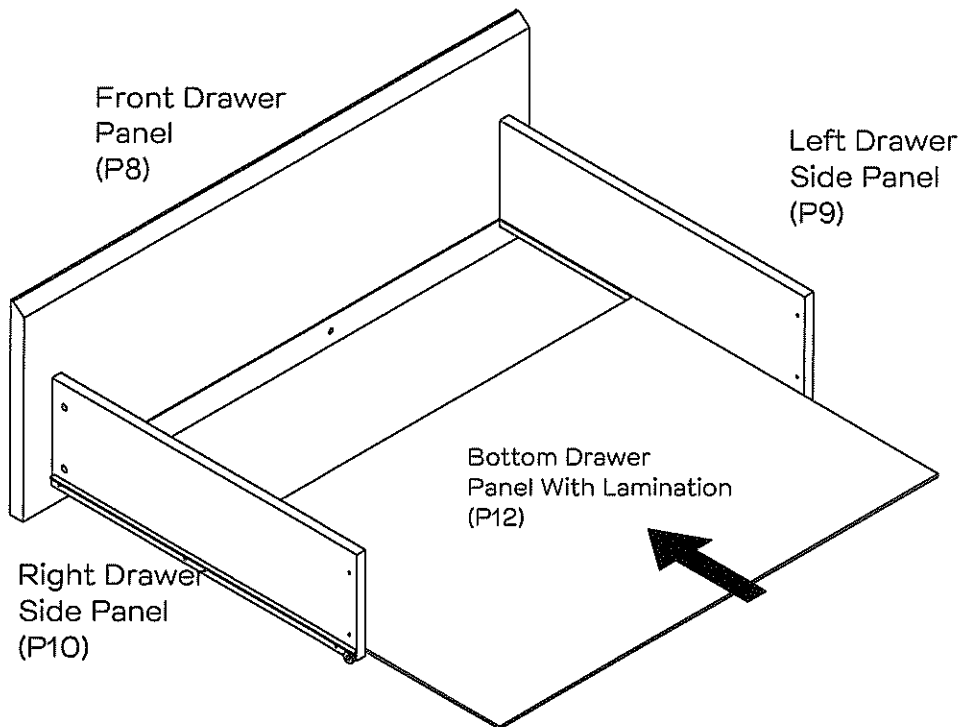
Step 10

You will need	
	
4 x Small Cam Nuts (H6)	Phillips Head Screwdriver




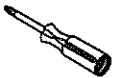
Insert 4 x small cam nuts (H6) into the left & right drawer side panels (P9 & P10). Rotate the cam nuts (H6) so the arrows point towards the incoming cam bolts. Attach the front drawer panel (P8) to the left & right drawer side panels (P9 & P10). Turn the cam nuts (H6) on panels (P9 & P10) clockwise with a phillips head screwdriver to lock into position.

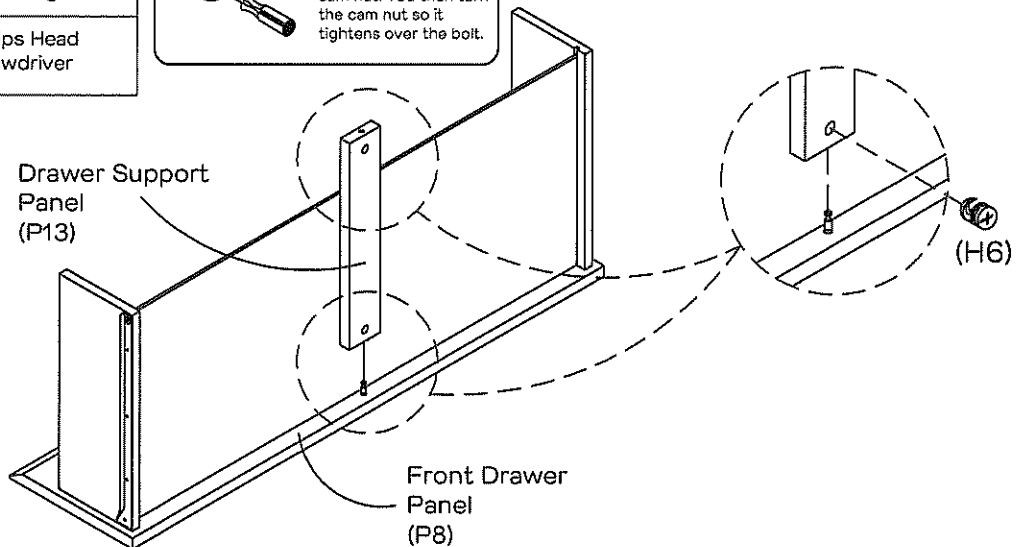
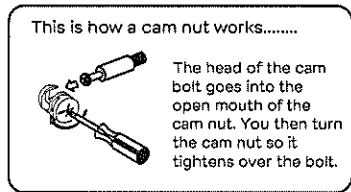
Step 11



Slot in bottom drawer panel (P12) into the grooves of the left & right drawer side panels (P9 & P10) and also to the front drawer panel (P8).



Step 12

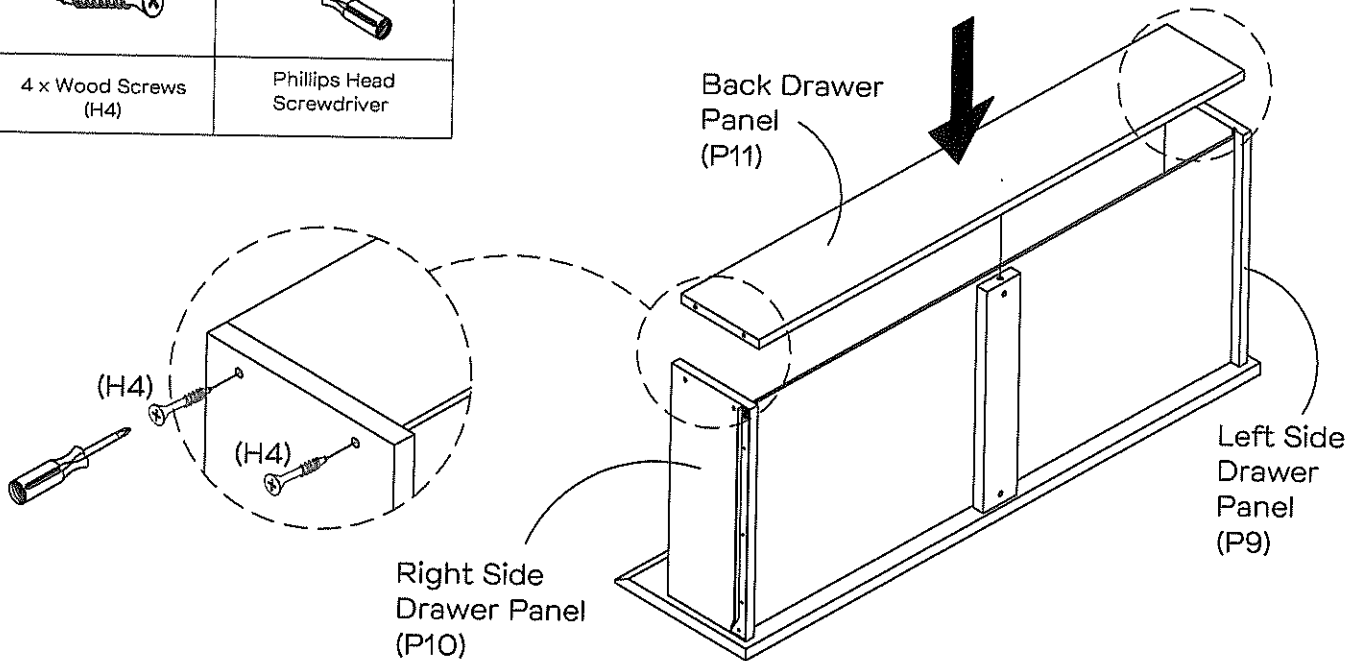
You will need	
	
2 x Small Cam Nuts (H6)	Phillips Head Screwdriver



Insert 2 x small cam nuts (H6) into the drawer support panel (P13). Rotate the cam nuts (H6) so the arrow point towards the incoming cam bolts. Attach the drawer support panel (P13) to the front drawer panel (P8). Turn the cam nuts (H6) on drawer support panel (P13) clockwise with a phillips head screwdriver to lock into position.


Step 13

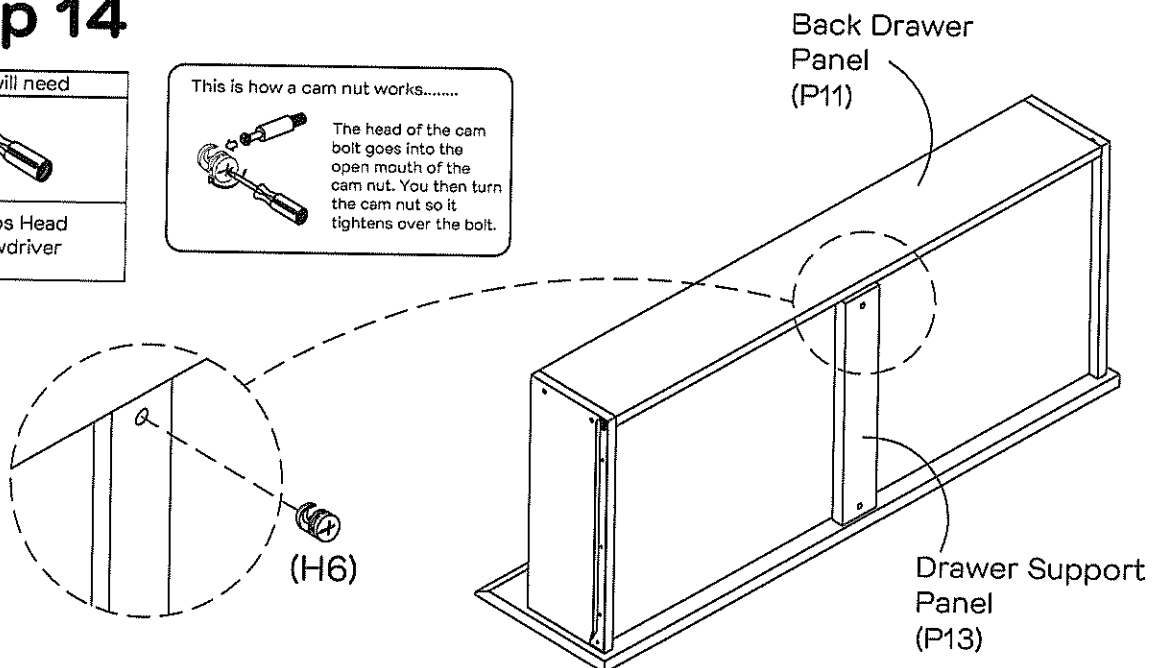
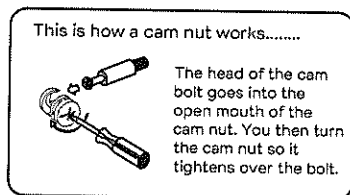
You will need	
	
4 x Wood Screws (H4)	Phillips Head Screwdriver



Fix the back drawer panel (P11) to the left & right drawer side panels (P9 & P10) using 4 x wood screws (H4) tightening with a phillips head screwdriver.

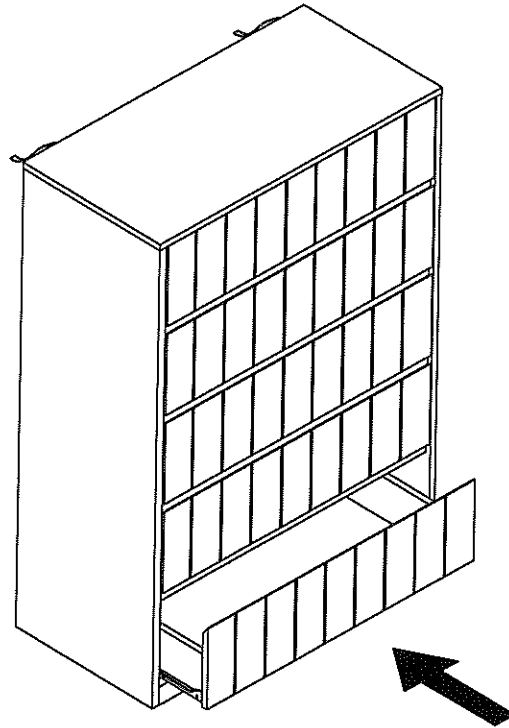
Step 14

You will need

Phillips Head Screwdriver




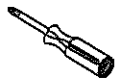
Attach the back drawer panel (P11) to the drawer support panel (P13). Turn the cam nut (H6) on drawer support panels (P13) clockwise with a phillips head screwdriver to lock into position. Repeat step 9 to 14 for the 4 remaining drawers.

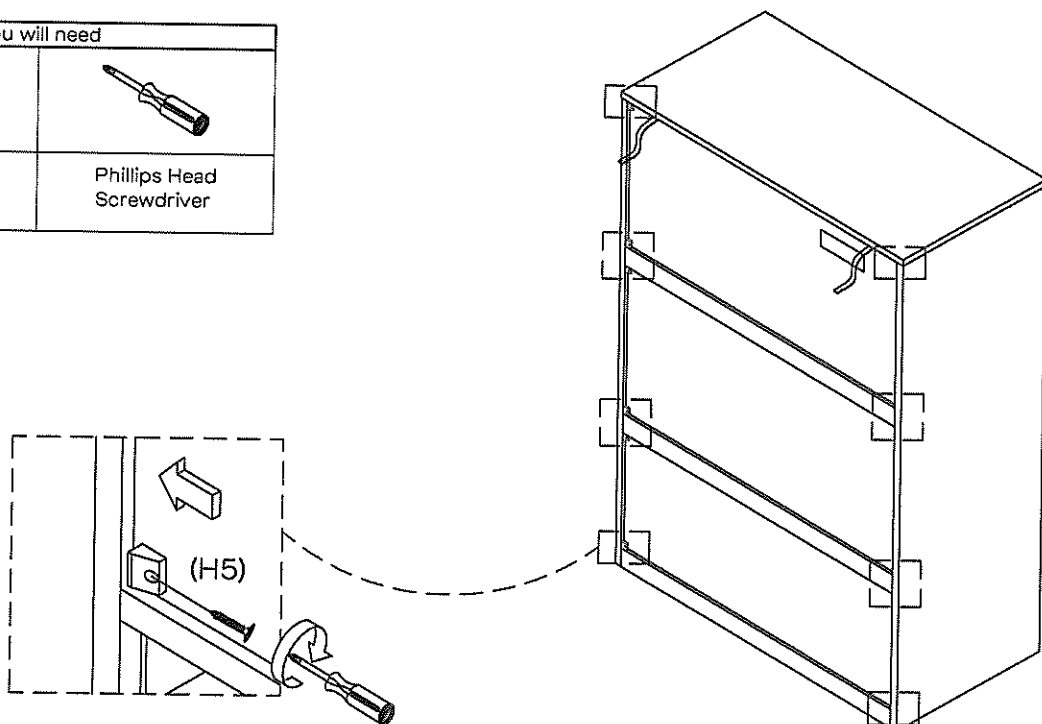
Step 15



Insert the 5 drawers into the unit.


Step 16

You will need	
	
12 x Buckles For Back Panel (H5)	Phillips Head Screwdriver

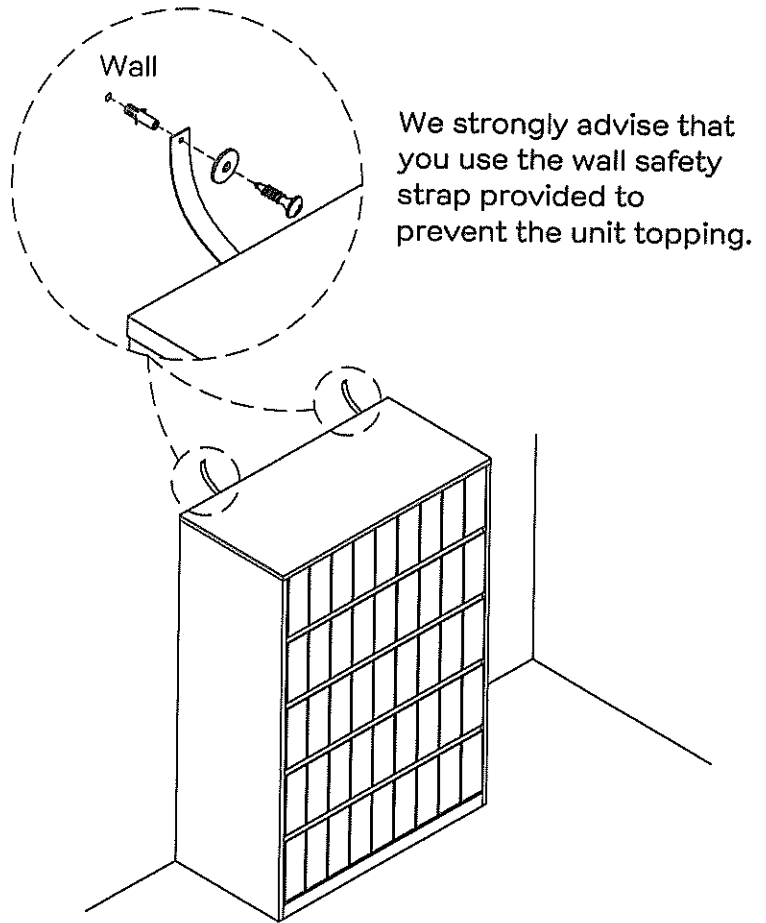


Insert the 12 x buckles (H5) into the frame as shown with a phillips head screwdriver.

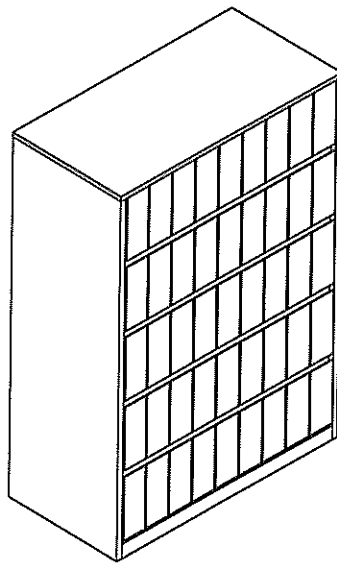
Step 17

You will need

Phillips Head Screwdriver

Move the tallboy to its final position and then secure the wall straps to the wall. Ensure it is firmly attached. The screws and wall plugs are not provided. Please use appropriate fixtures for your wall. Seek advice from a qualified tradesperson on how to attach this safety straps to your specific wall.



Step 18



Job Complete!

In the interest of our environment please dispose of all packaging thoughtfully.