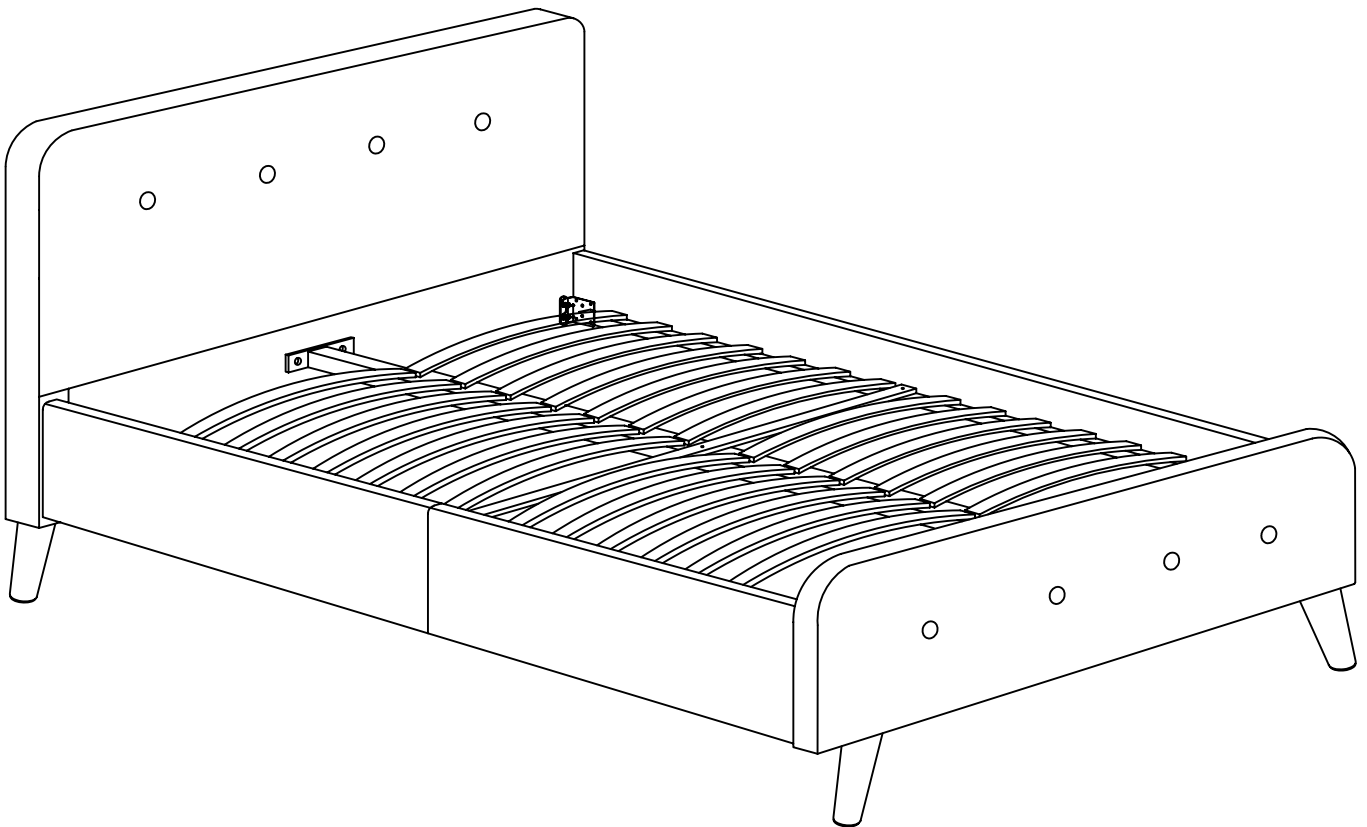
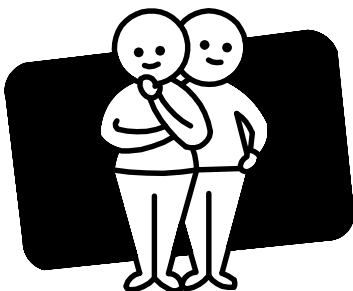




Version 1.0



TWO PEOPLE



REQUIRED

BUTTONS

DOUBLE BED

Enjoy

Your purchase From
Australia's Best Value Furniture Store



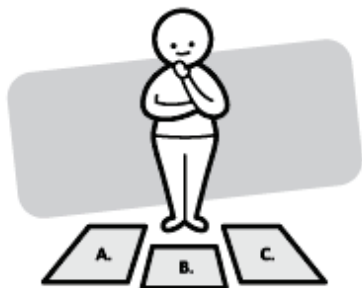
Assembly checklist



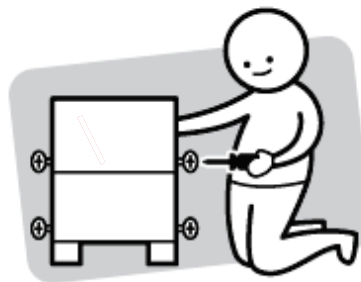
Read through the instructions carefully before you begin.



Make sure you have all the required tools. Never use power tools unless instructed.



Identify and lay out all of the components before you begin assembly.



Unless instructed, do not fully tighten screws until the item is fully assembled.

Useful Information

- ! Never use power tools unless specifically instructed. They can damage your components or hardware if used incorrectly.
- ! The most common mistakes made during assembly are using the wrong hardware or getting components back to front.
- ! Always use a soft surface (such as carpet or cardboard) when assembling your product to avoid scratching or damaging the surface of the product.
- ! Bulky items such as wardrobes and bunk beds should be assembled in the room they will be used in as they may not fit through a door once assembled.
- ! Never use any glue until you are certain that the parts belong together.
- ! Periodically check and re-tighten all fasteners. Check the product care label or website for product care instructions.
- ! If you are having any difficulties assembling your product, missing any hardware or components please visit our website Help Centre for further assistance.

What you need

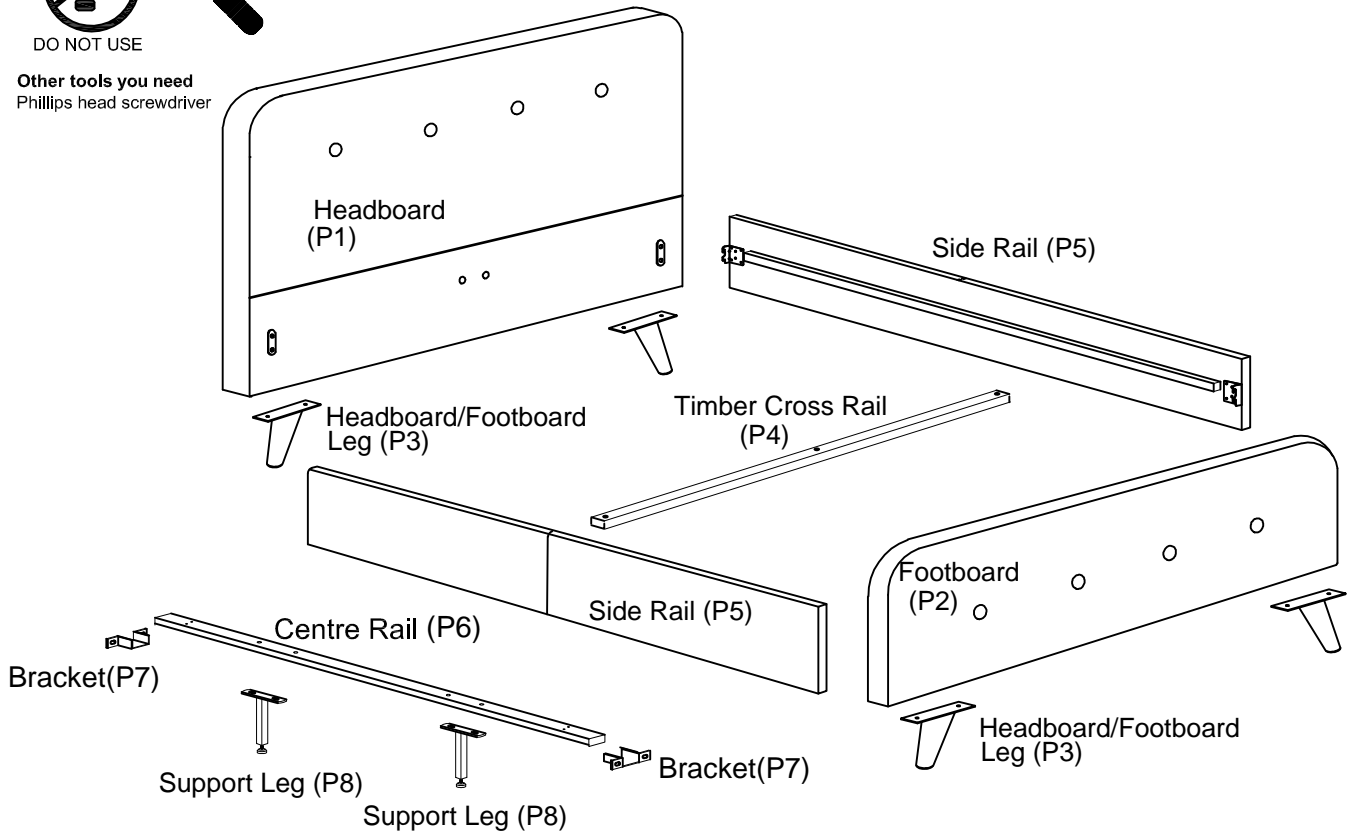
to assemble the product



DO NOT USE



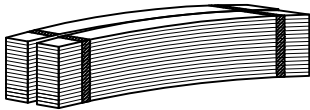
Other tools you need
Phillips head screwdriver



Parts list

Box 1 : Footboard (P2) ; Headboard/Footboard Leg (P3) ; Timber Cross Rail (P4) ; Side Rail (P5) ; Center Rail (P6) ; Bracket (P7) ; Support Leg (P8) ; Hardware Pack

Box 2 : Headboard (P1) ; Slats (P9)



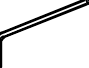


26 x Slats (P9)

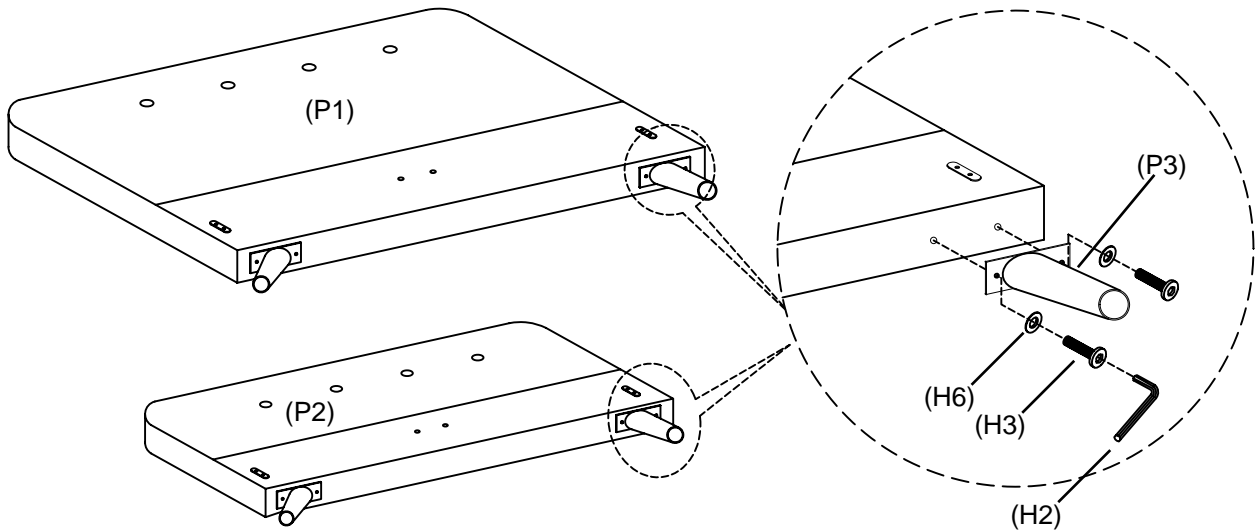
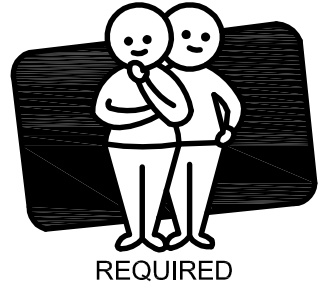
(Bolt) 8 x M8 x 18mm (H1)	1 x M5 (Allen Key) (H2)	(Bolt) 14 x M8 x 20mm (H3)	(Plastic nut) 8 x M6 x 13mm (H4)	(Bolt) 4 x M8 x 40mm (H5)
(Washer) 22 x M8 x 19mm (H6)	(Screw) 3 x M4 x 32mm (H7)	1 x Spanner (H8)	(Nut) 4 x M8 (H9)	(Bolt) 4 x M6 x 40mm (H10)
(Bolt) 4 x M6 x 35mm (H11)				

Please make sure you have all these parts before you start

Step 1



You will need		
		
8 x Washer M8 (H6)	8 x Bolt 20mm (H3)	Allen Key (H2)

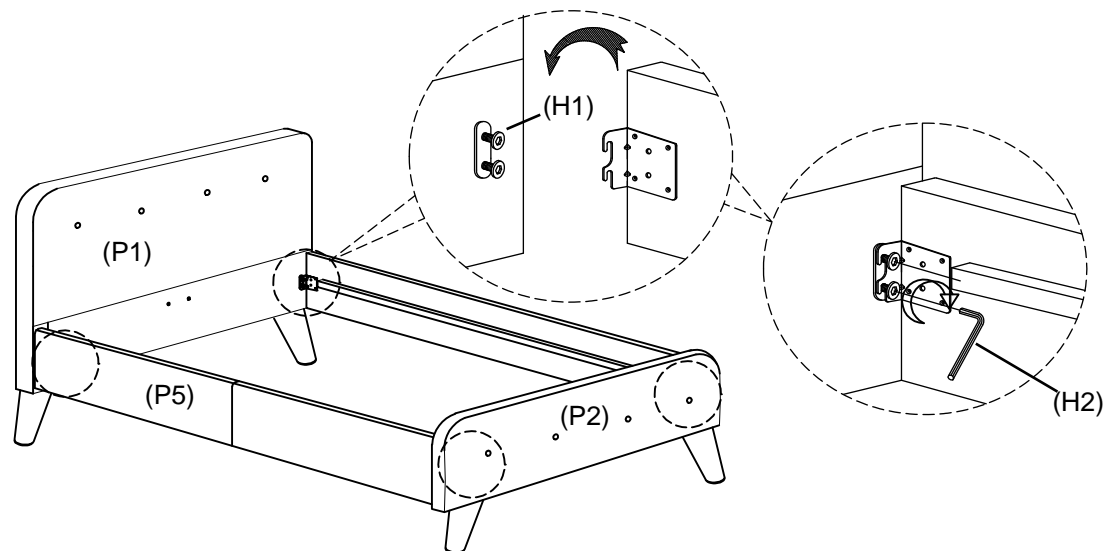
TWO PEOPLE



Attach legs (P3) to the bottom of headboard (P1) and footboard (P2).
With 8 x Bolt 20mm (H3) and 8 x Washer (H6) by using Allen Key (H2).

Step 2


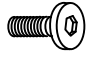



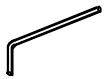
You will need	
	
8 x Bolt 18mm (H1)	Allen Key (H2)

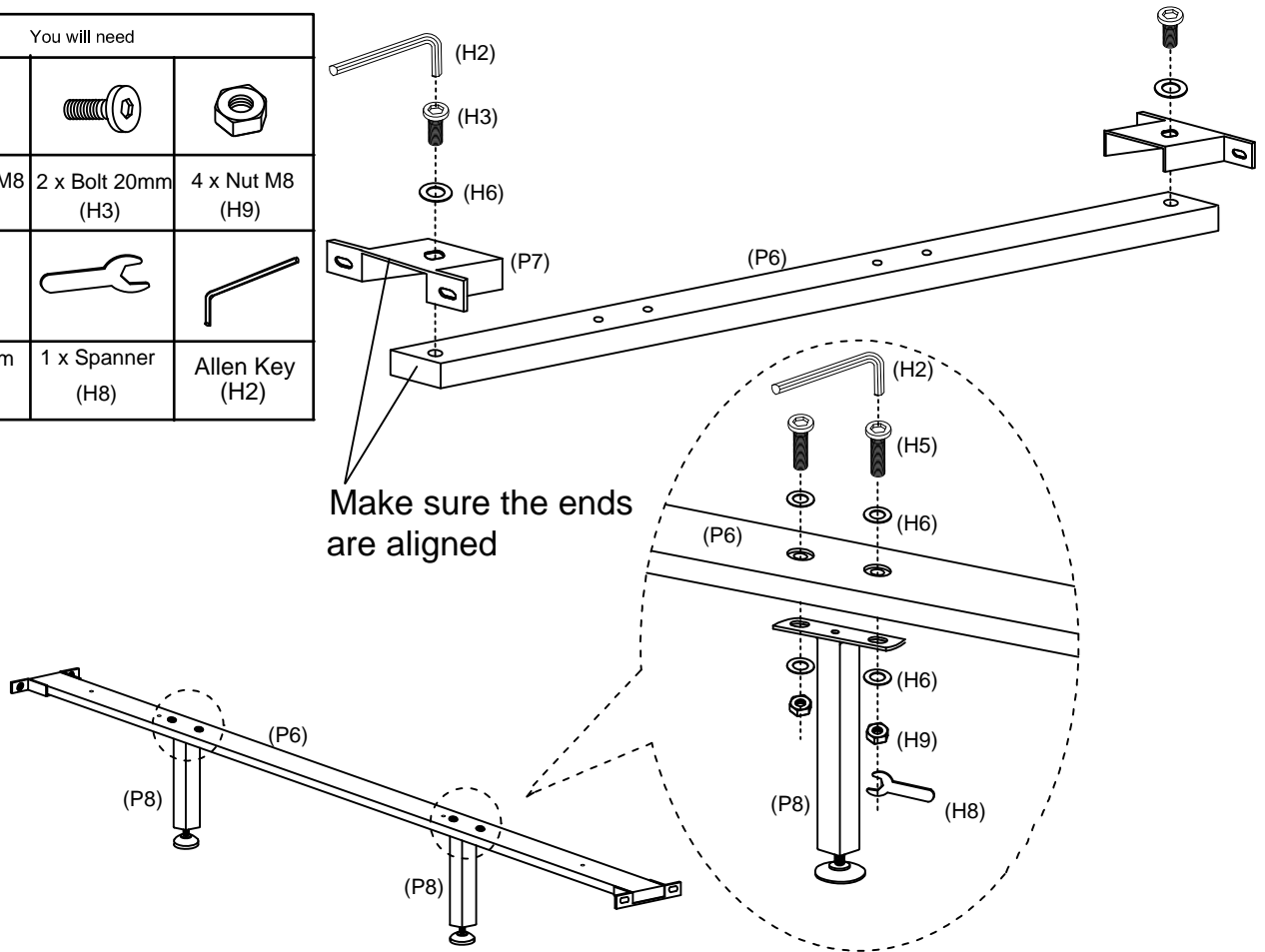


Install the bolts (H1) to the brackets by using Allen Key (H2) as shown, do not tighten the bolts and keep them 8 mm loose. Then attach side rail (P5) to headboard (P1) and footboard (P2) by slotting the bracket on the side rail (P5) over the bolt as shown. No need to tighten bolts until step 6.





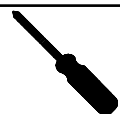
Step 3

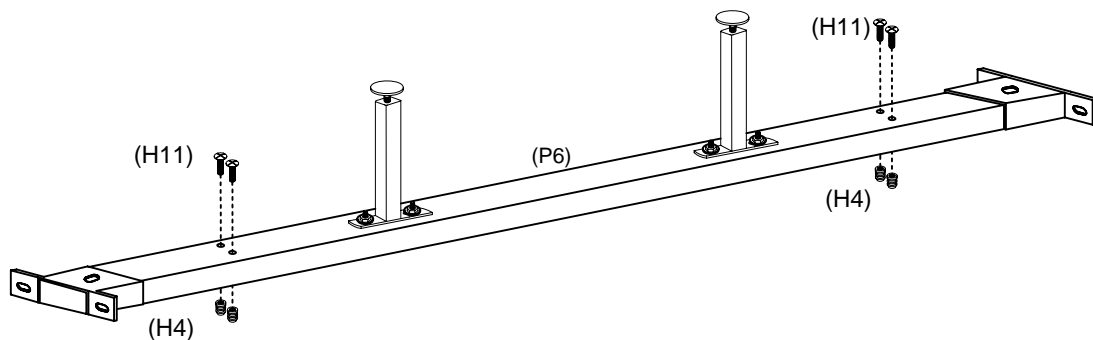
You will need		
		
10 x Washer M8 (H6)	2 x Bolt 20mm (H3)	4 x Nut M8 (H9)
		
4 x Bolt 40mm (H5)	1 x Spanner (H8)	Allen Key (H2)



Attach the support legs (P8) to the centre rail (P6) using 4 x Bolt (H5) , 8 x Washer (H6) and 4 x nut (H9), attach 2 x bracket (P7) to the centre rail (P6) using 2 x bolt (H3) and 2 x washer (H6) as shown.


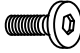
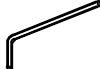
Step 4

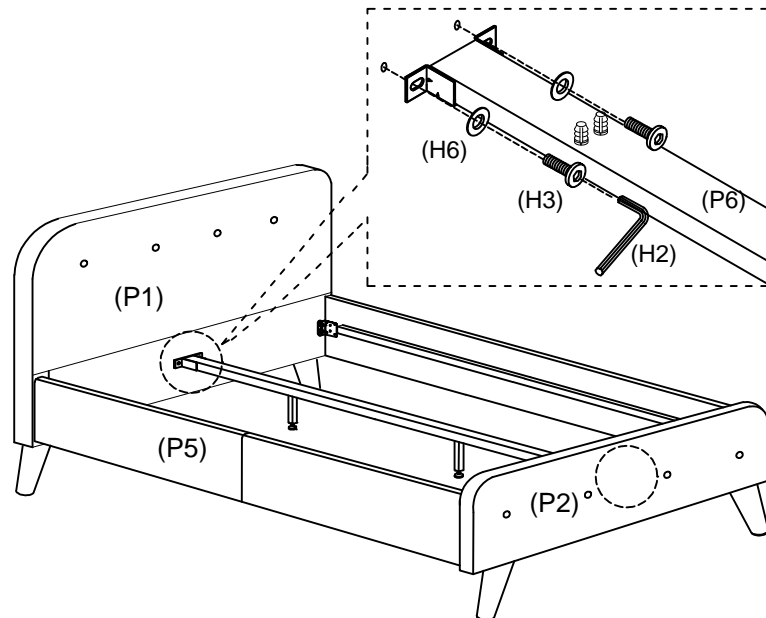
You will need		
		
(Bolt) 4 x M6 x 35mm (H11)	(Plastic nut) 4 x M6 x 13mm (H4)	Phillips head screwdriver (no provided)



Attach the plastic nut (H4) to the centre rail (P6) using 4 x Bolt (H11).

Step 5

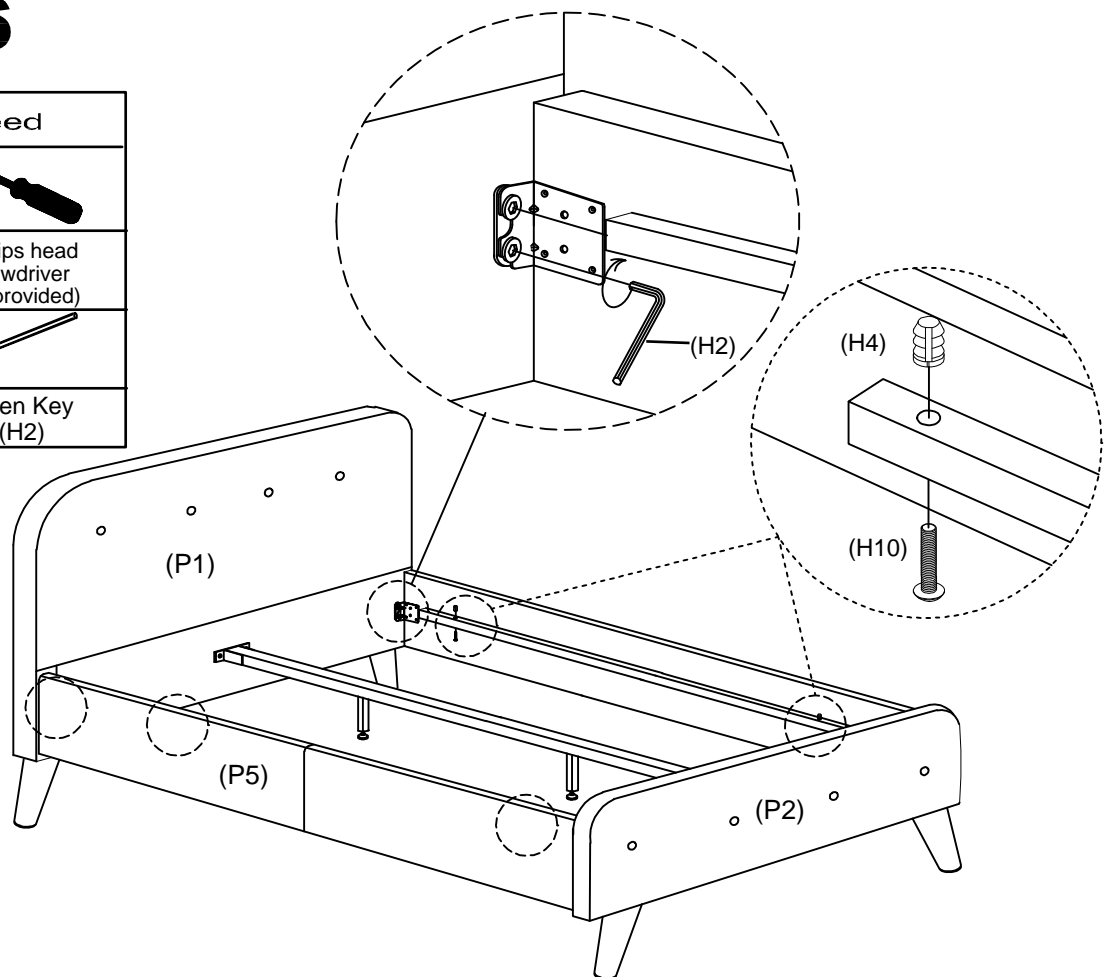
You will need		
		
4 x Washer M8 (H6)	4 x Bolt 20mm (H3)	Allen Key (H2)



Slot the Centre rail (P6) into the headboard (P1) and footboard (P2).
 Rotate 3/4 bolts (H3) using Allen Key (H2) to the headboard (P1) and footboard (P2). No need to tighten bolts until step 6.

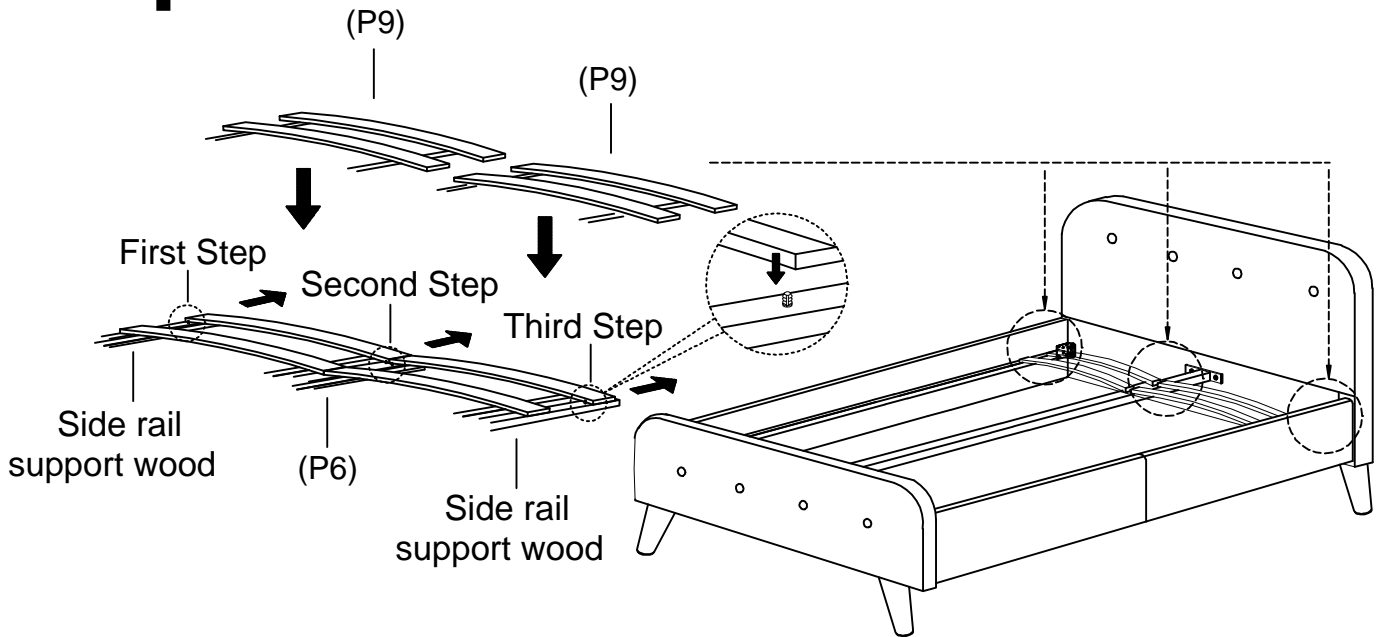
Step 6

You will need	
	
4 x Plastic nut (H4)	Phillips head screwdriver (no provided)
	
4 x Bolt 40mm (H10)	Allen Key (H2)



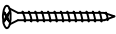

Attach the plastic nut (H4) to the side rail (P5) by using 4 x Bolt (H10) .
 Now tighten all the bolts on the corner bracket and tighten bolts on the headboard (P1) and footboard (P2).

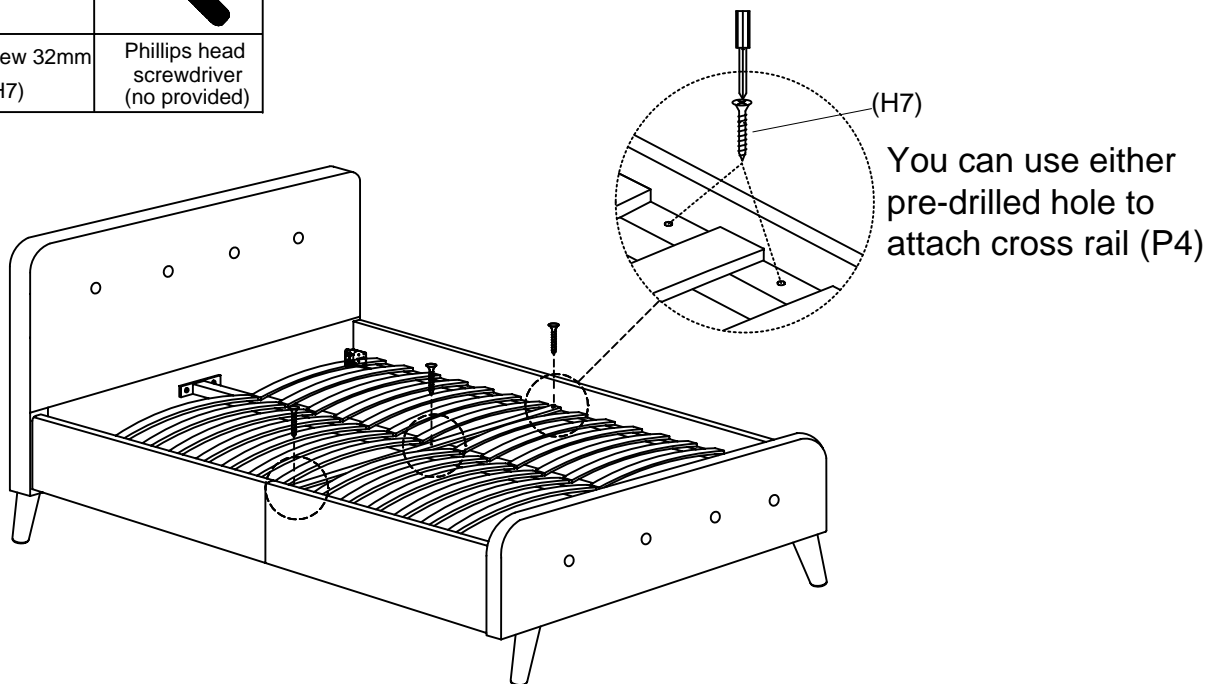
Step 7



Fix slats (P9) on one end of the side rail (P5) and centre rail (P6). By using the plastic nut (H4) as stopper. Then spread out the slats and fix the slats to the other end of the side rail (P5) and centre rail (P6). By using the plastic nuts (H4) as stopper.

Step 8

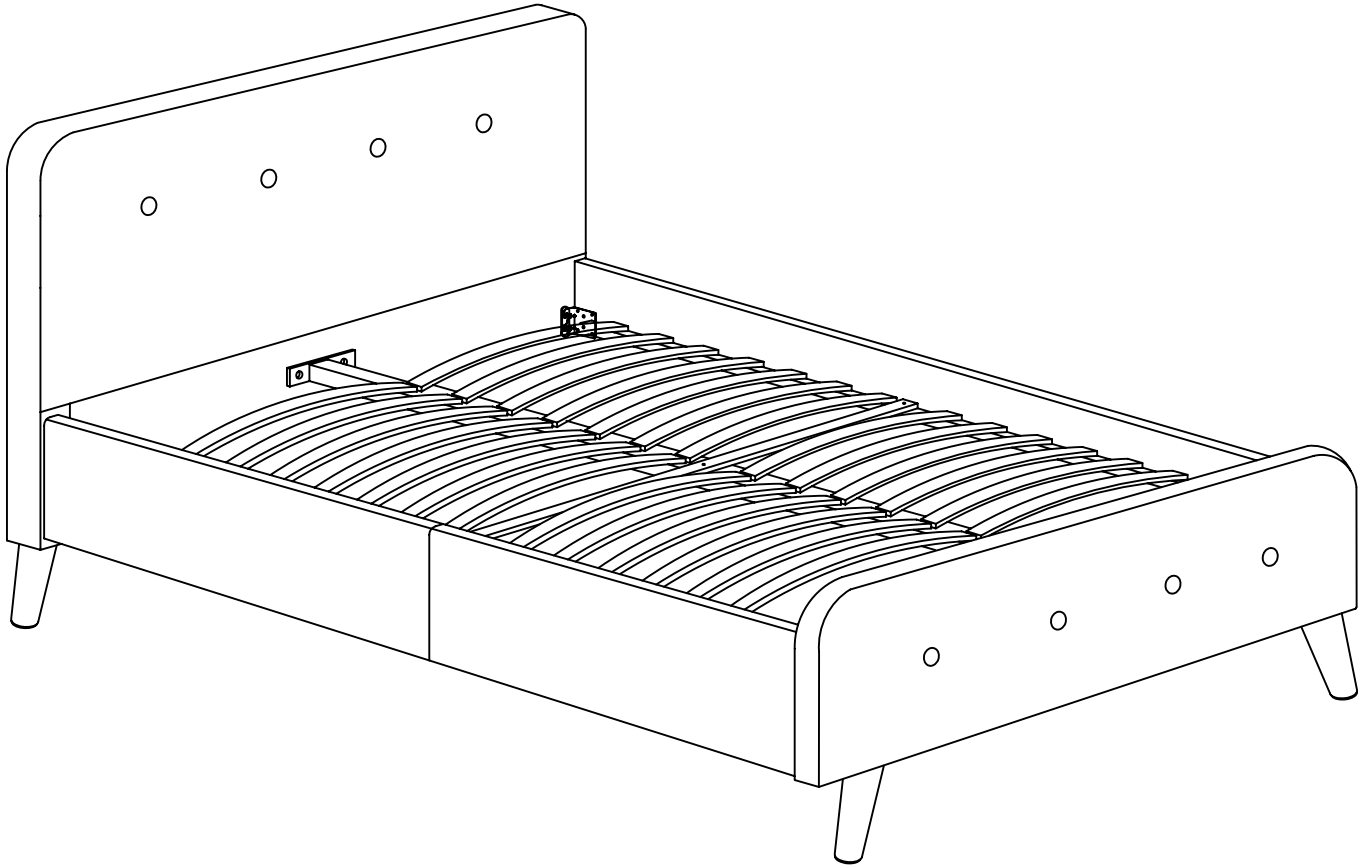
You will need	
	
3 x Screw 32mm (H7)	Phillips head screwdriver (no provided)



You can use either pre-drilled hole to attach cross rail (P4)

Attach the cross rail (P4) to the side rails (P5) and centre rail (P6) by using 3 x screw (H7).

Step 9



Job Complete

In the interest of our environment please dispose of all packaging thoughtfully.

