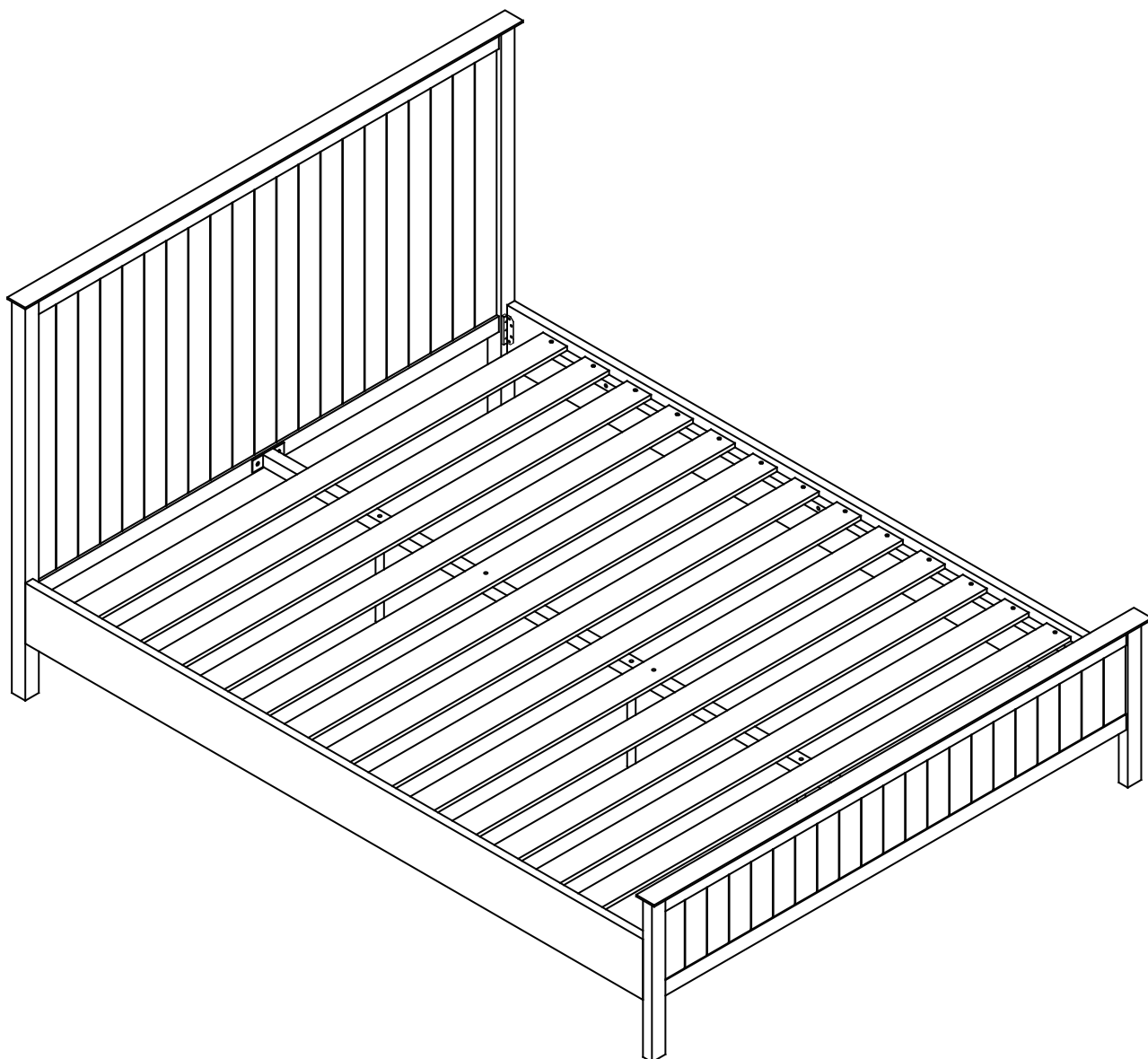


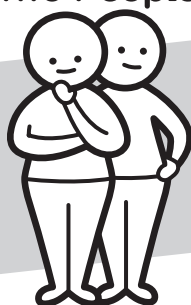


**Fantastic
Furniture**

Version 1.1



Two People



Required

Hamilton
Bed Queen

fantasticfurniture.com.au

Looks like you've found your Fantastic!

We're thrilled you've chosen Fantastic Furniture
to help create a home you'll love!



Fantastic Furniture

Love it? Share it!

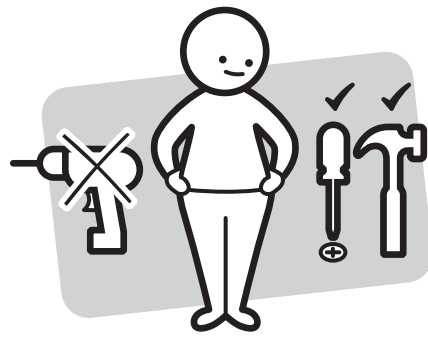
Fantastic buy! Share how it looks at home on Instagram for
your chance to win a \$250 Fantastic Furniture Gift Card!

@fantasticfurniture

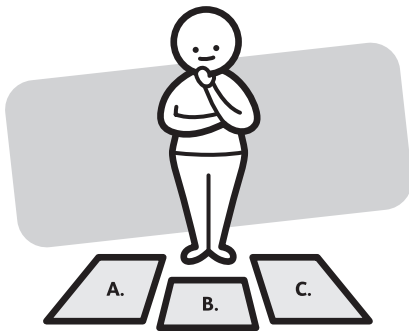
Assembly Checklist



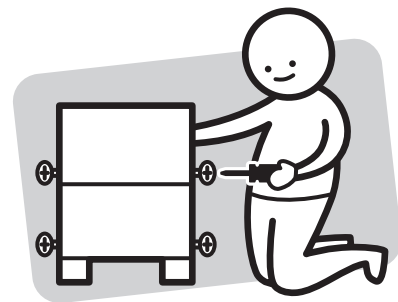
Read through the instructions carefully before you begin.



Make sure you have all the required tools. Never use power tools unless instructed.



Identify and lay out all of the components before you begin assembly.



Unless instructed, do not fully tighten screws until the item is fully assembled.

Useful Information

- ! Never use power tools unless specifically instructed. They can damage your components or hardware if used incorrectly.
- ! The most common mistakes made during assembly are using the wrong hardware or getting components back to front.
- ! Always use a soft surface (such as carpet or cardboard) when assembling your product to avoid scratching or damaging the surface of the product.
- ! Bulky items such as wardrobes and bunk beds should be assembled in the room they will be used in as they may not fit through a door once assembled.
- ! Never use any glue until you are certain that the parts belong together.
- ! Periodically check and re-tighten all fasteners. Check the product care label or website for product care instructions.
- ! If you are having any difficulties assembling your product, missing any hardware or components please visit our website Help Centre for further assistance.
- ! Please see page 2 for any safety requirements or weight restrictions.

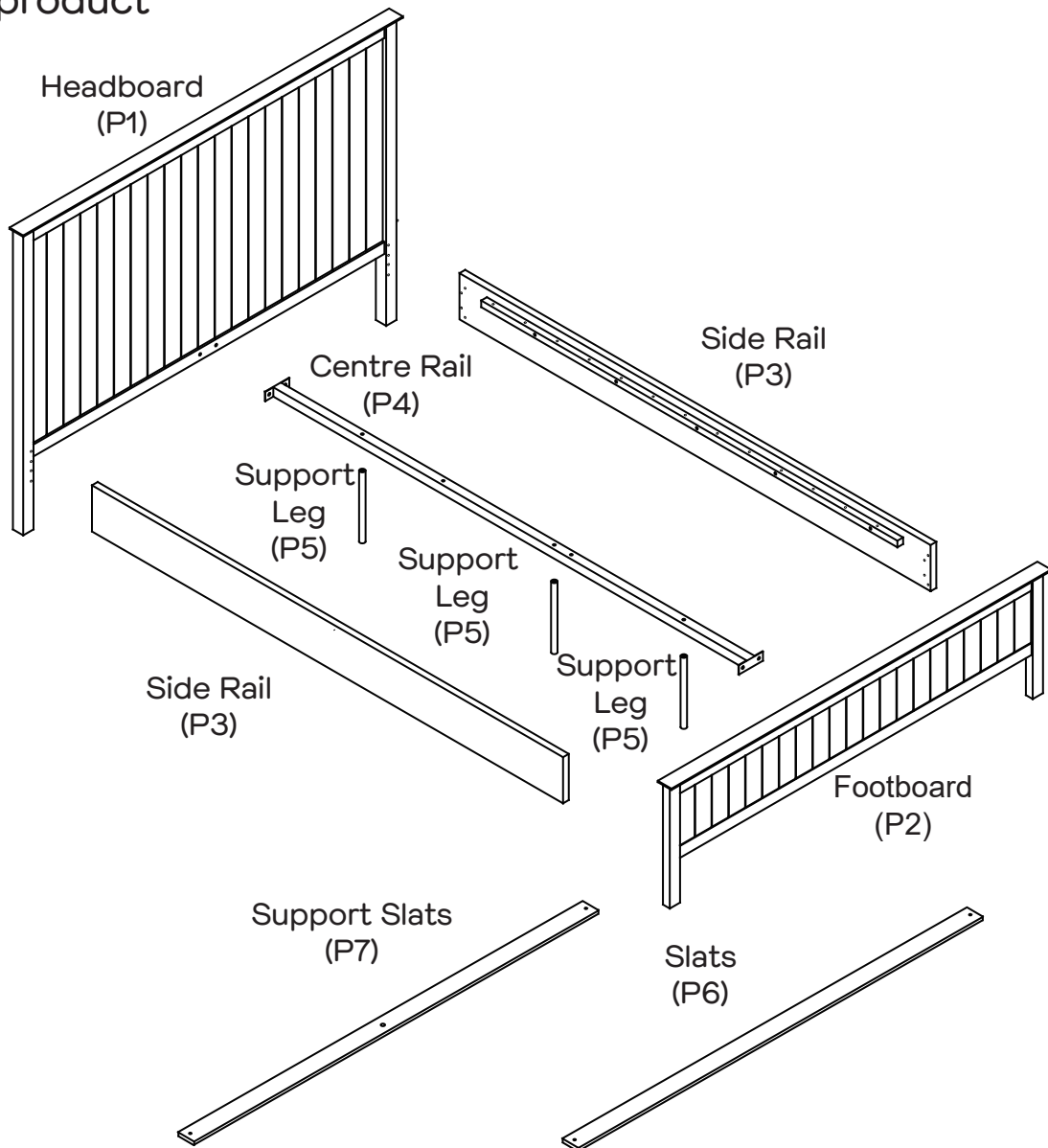
What you need

to assemble the product



DO NOT USE

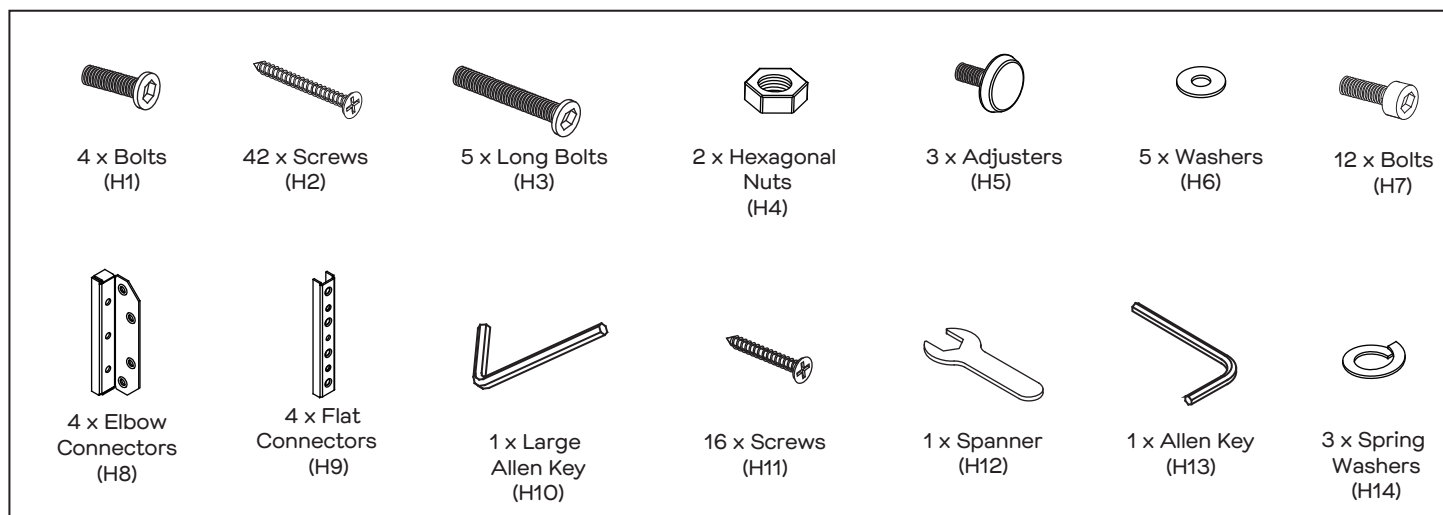
Other tools you need:
Phillips Head Screwdriver;






Parts list

Headboard (P1);
Footboard (P2);
2 x Side Rails (P3);
Centre Rail (P4);
3 x Support Legs (P5);
11 x Slats (P6);
2 x Support Slats (P7):

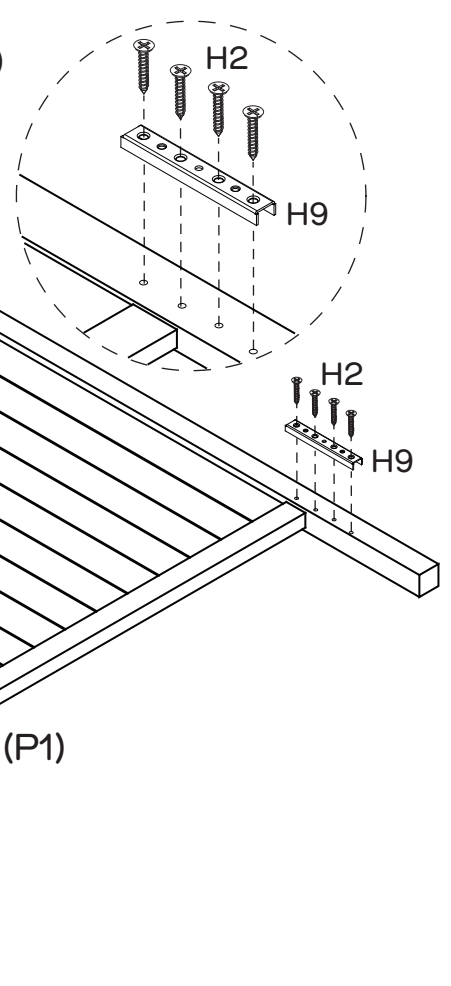
Hardware pack



Step 1




You will need	
	
8 x Screws (H2)	2 x Flat Connectors (H9)
	
Phillips Head Screwdriver	

Important Note: The screws (H2) must be inserted through the flat side of the flat connectors (H9) as shown.

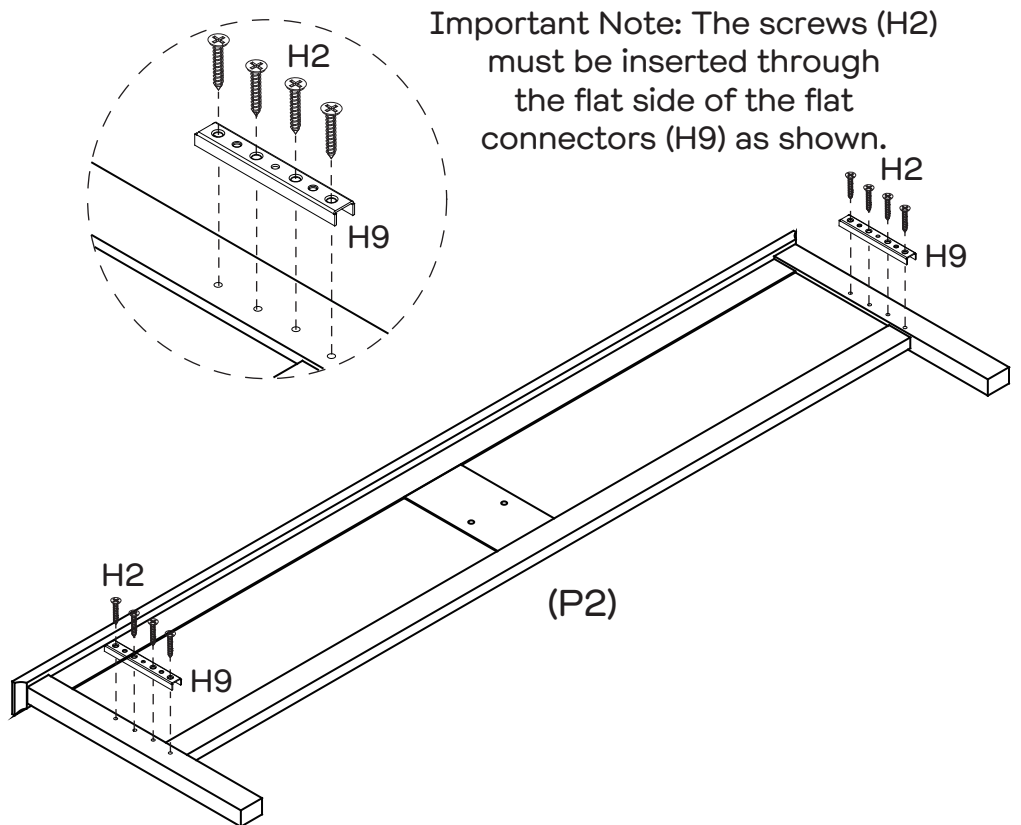


Attach 2 x flat connectors (H9) to headboard (P1) using 8 x screws (H2), tightening with a phillips head screwdriver.

Step 2




You will need	
	
8 x Screws (H2)	2 x Flat Connectors (H9)
	
Phillips Head Screwdriver	

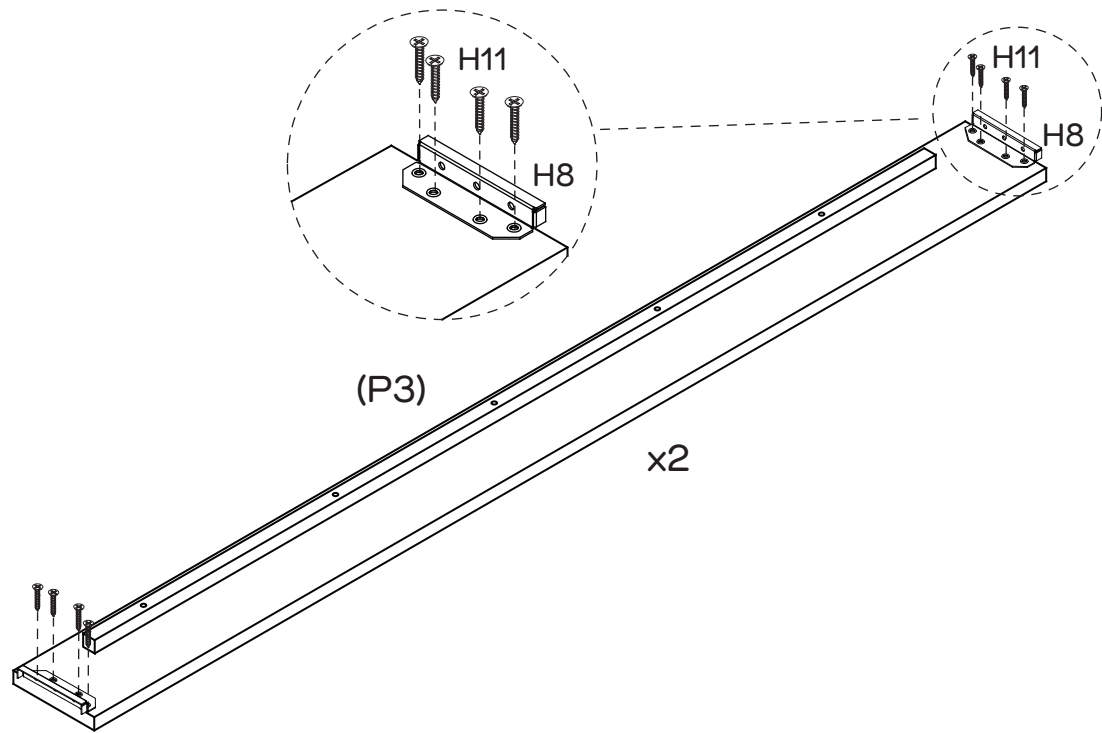
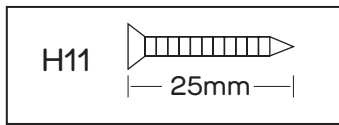
Important Note: The screws (H2) must be inserted through the flat side of the flat connectors (H9) as shown.



Attach 2 x flat connectors (H9) to footboard (P2) with 8 x screws (H2), tightening with a phillips head screwdriver.

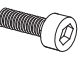

Step 3

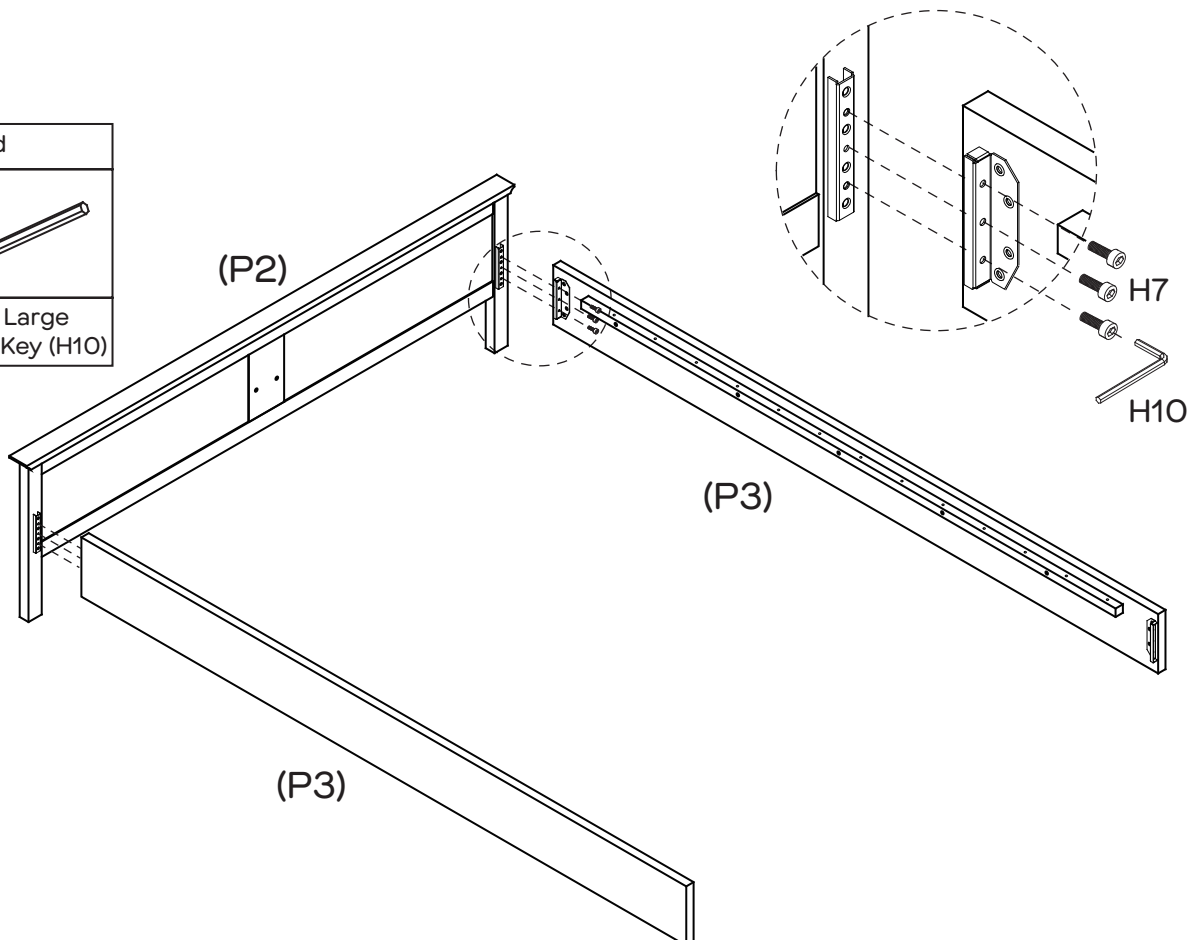
You will need	
	
16 x Screws (H11)	4 x Elbow Connectors (H8)
	
Phillips Head Screwdriver	



Attach 4 x elbow connectors (H8) to the ends of the 2 x side panels (P3) with 16 x screws (H11), tightening with a phillips head screwdriver.

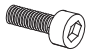

Step 4

You will need	
	
6 x Bolts (H7)	1 x Large Allen Key (H10)



With assistance, attach the 2 x side panels (P3) to footboard (P2) with 6 x bolts (H7), tightening with the large allen key (H10).

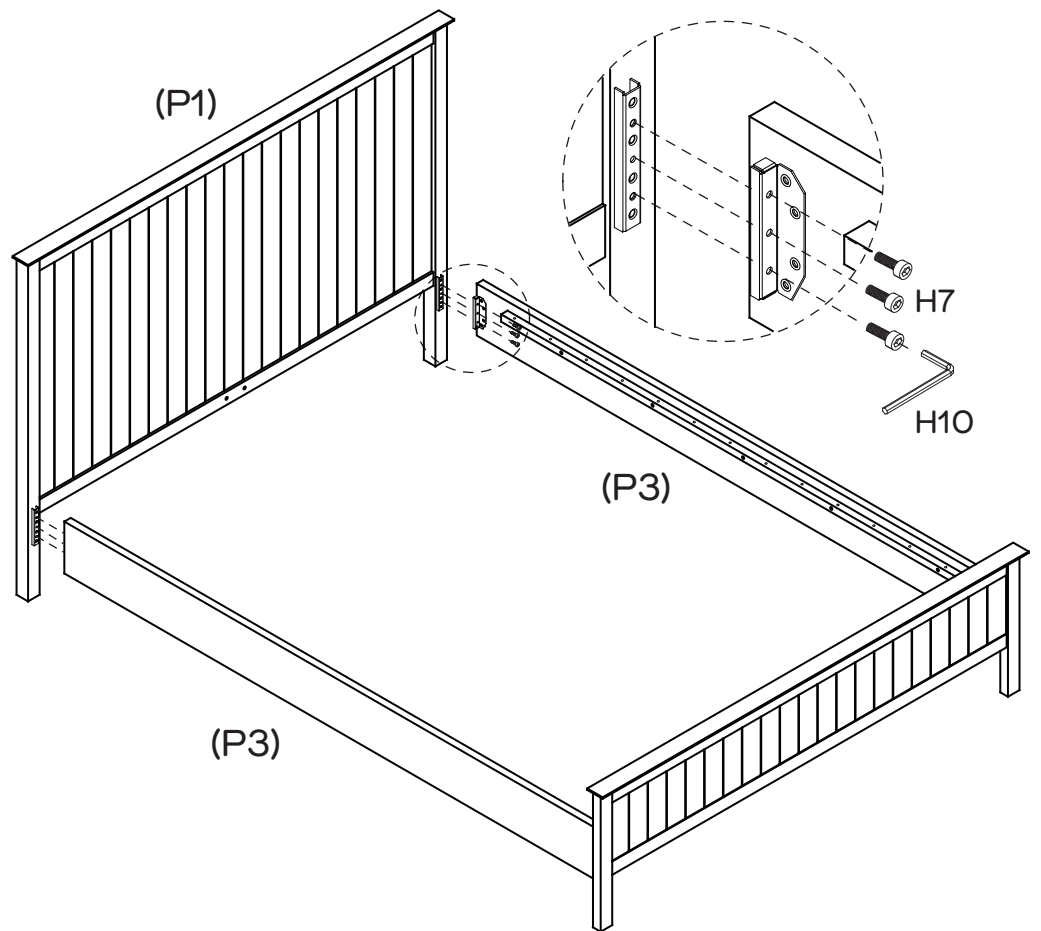
Step 5

You will need	
	
6 x Bolts (H7)	1 x Large Allen Key (H10)

Two People








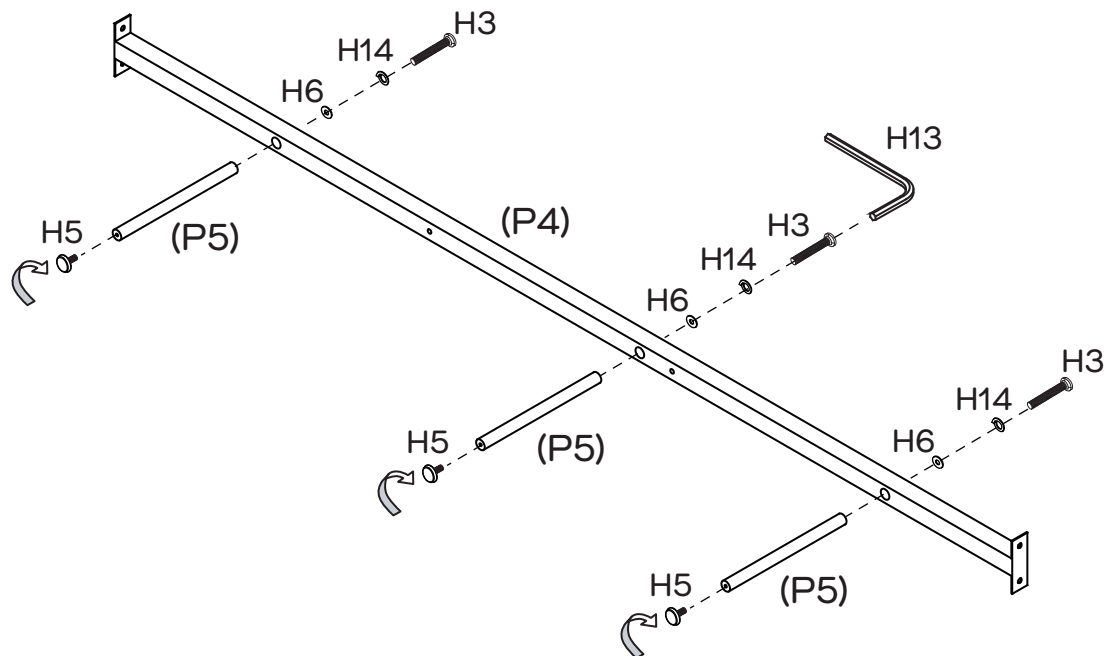
Required



With assistance, attach the 2 x side panels (P3) to headboard (P1) using 6 x bolts (H7), tightening with the large allen key (H10).

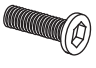

Step 6

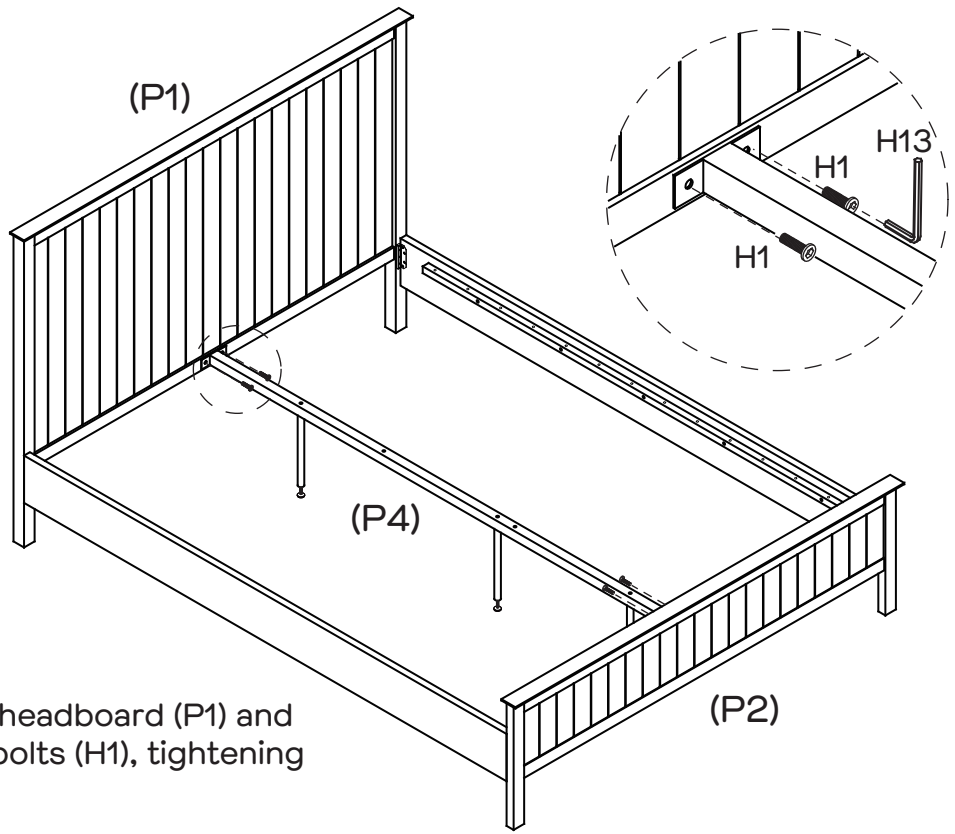
You will need	
	
3 x Long Bolts (H3)	3 x Adjusters (H5)
	
3 x Washers (H6)	3 x Spring Washers (H14)
	
1 x Allen Key (H13)	



Attach 3 x support legs (P5) to centre rail (P4) using 3 x washers (H6), 3 x spring washers (H14) and 3 x long bolts (H3), tightening with the allen key (H13). Attach the 3 x adjusters (H5) to the 3 x support legs (P5) by turning clockwise.


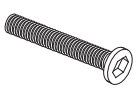
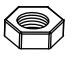


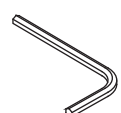

Step 7

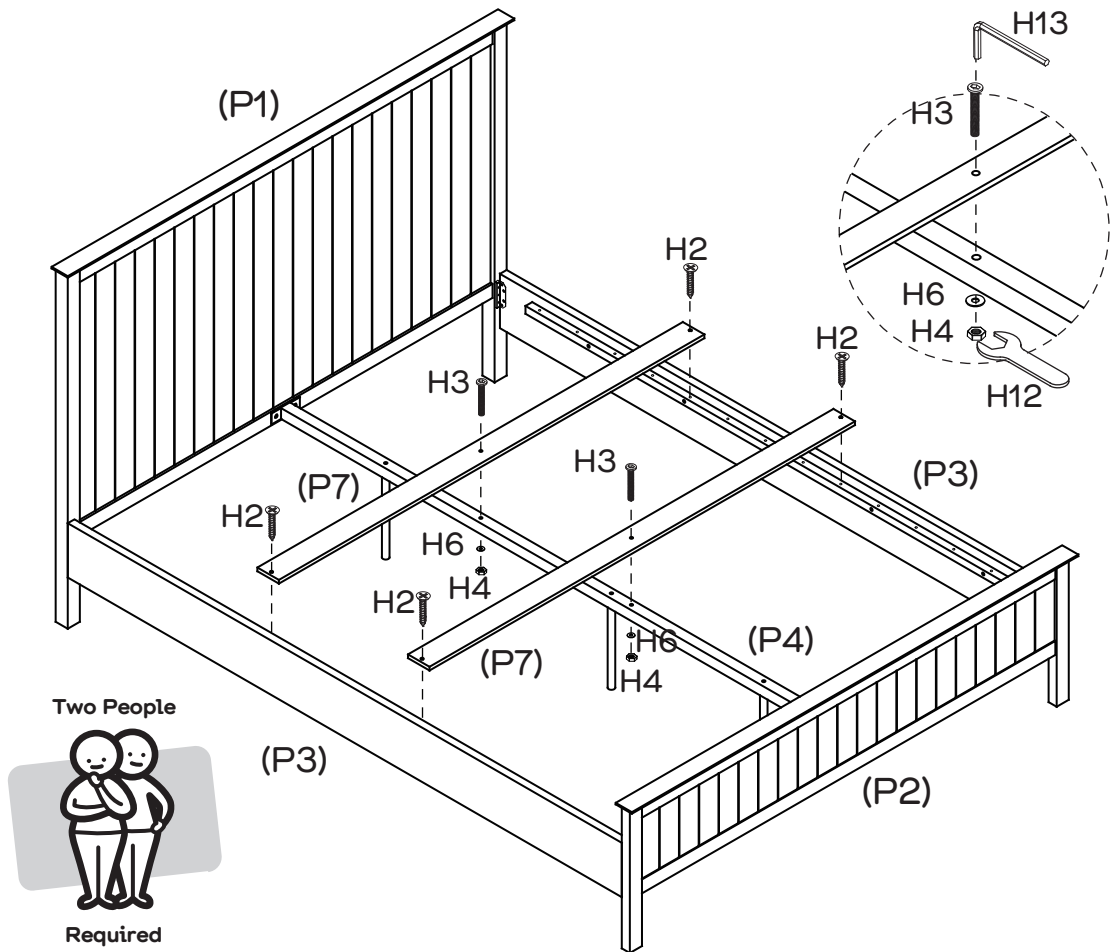
You will need	
	
4 x Bolts (H1)	1 x Allen Key (H13)



Attach centre rail (P4) to headboard (P1) and footboard (P2) using 4 x bolts (H1), tightening with the allen key (H13).

Step 8



You will need	
	
4 x Screws (H2)	2 x Long Bolts (H3)
	
2 x Hexagonal Nuts (H4)	2 x Washers (H6)
	
1 x Spanner (H12)	1 x Allen Key (H13)
	
Phillips Head Screwdriver	

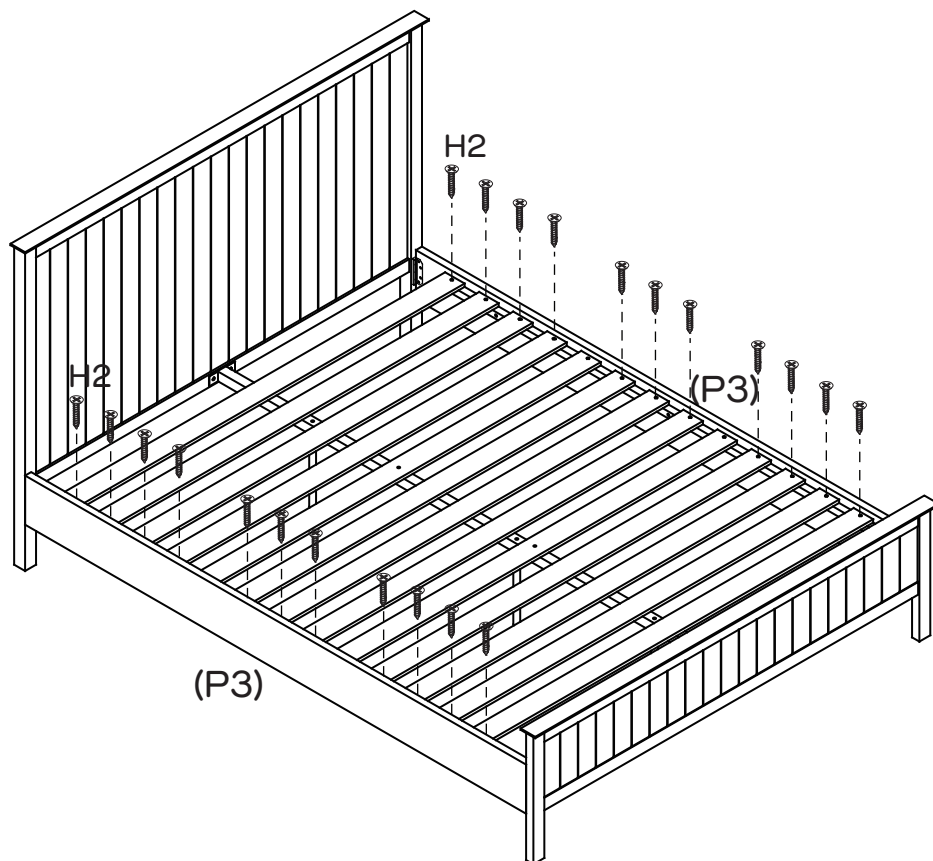


Attach the 2 x support slats (P7) to centre rail (P4) using 2 x long bolts (H3), 2 x washers (H6) and 2 x hexagonal nuts (H4), tightening with the spanner (H12) and allen key (H13).

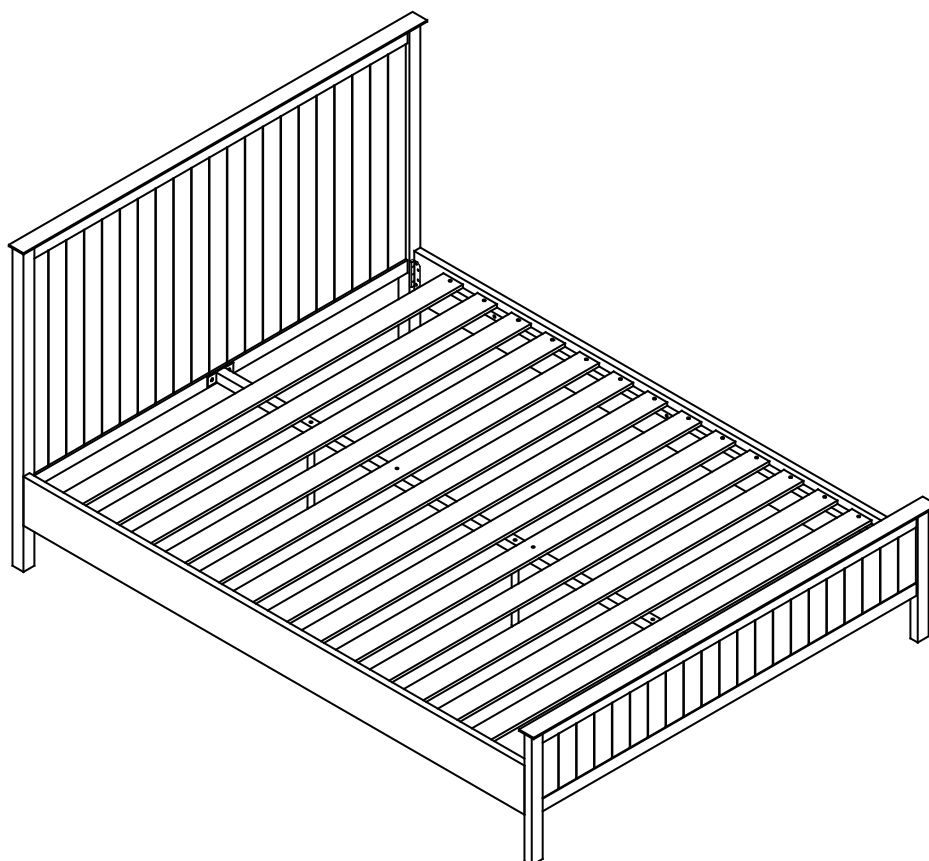
Attach the 2 x support slats (P7) to the 2 x side rails (P3) using 4 x screws (H2), tightening with a phillips head screwdriver. Ensure the 3 x adjusters (H5) in the 3 x support legs (P5) are retracted so they are not touching the floor. With assistance, move the bed into its final position. Once the bed is in its final position, extend the 3 x adjusters (H5) in the 3 x support legs (P5) so they are sitting firmly on the floor.

Step 9

You will need	
	
22 x Screws (H2)	Phillips Head Screwdriver



Attach the 11 x slats (P6) to the 2 x side rails (P3) using 22 x screws (H2), tightening with a phillips head screwdriver.



Job Complete!

In the interest of our environment please dispose of all packaging thoughtfully.