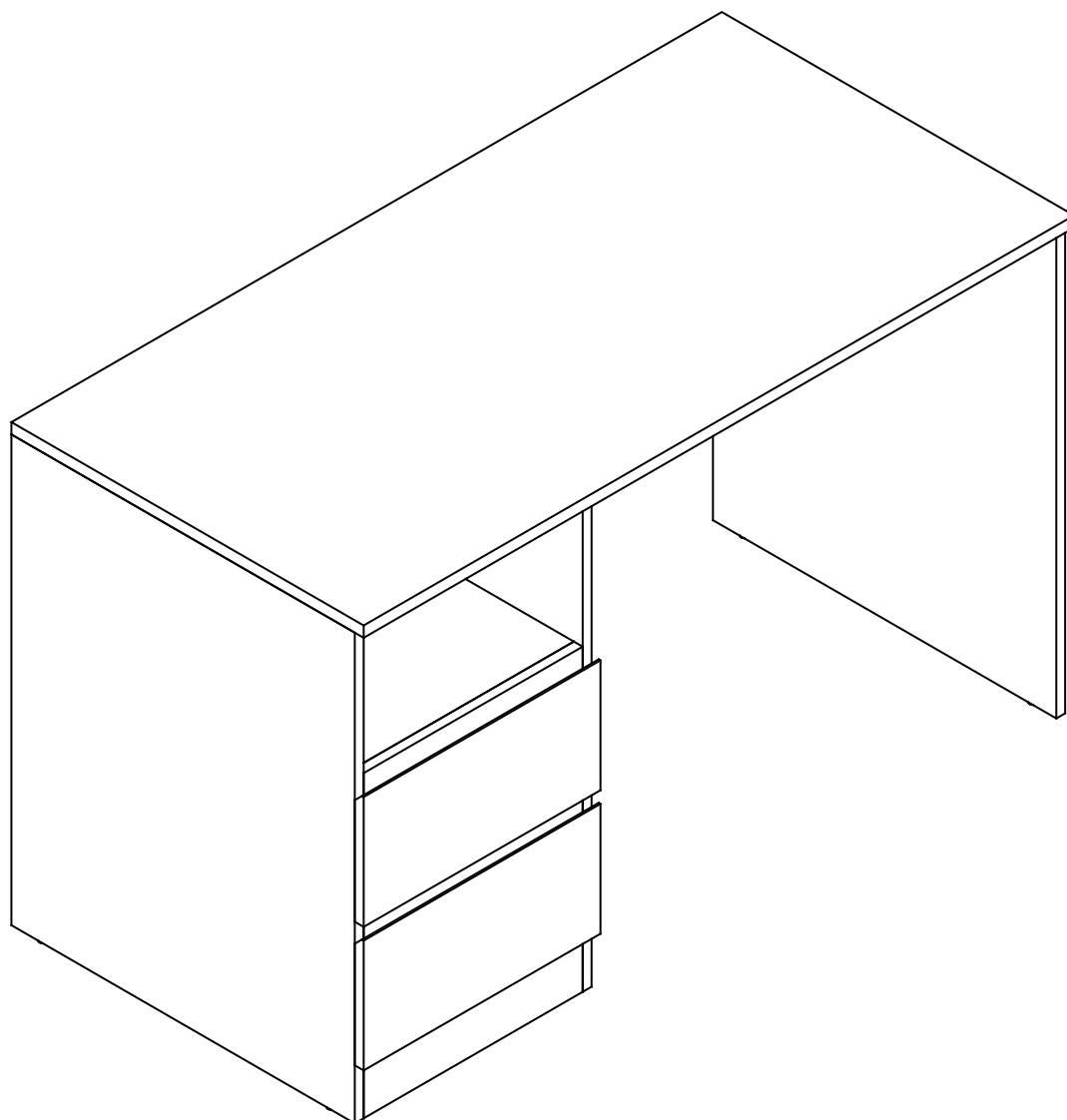




**Fantastic
Furniture**

Version 1.0



Two People



Required

CODY
DESK STUDENT 2 DRAWER

fantasticfurniture.com.au

Recommended weight capacity : 50kgs.

Looks like you've found your Fantastic!

We're thrilled you've chosen Fantastic Furniture
to help create a home you'll love



Fantastic Furniture

Love it? Share it!

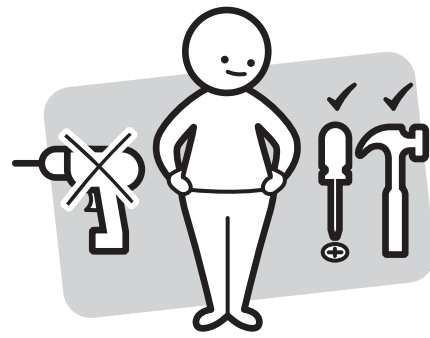
Fantastic buy! Share how it looks at home for your
chance to win a \$250 Fantastic Furniture Gift Card!

fantasticfurniture

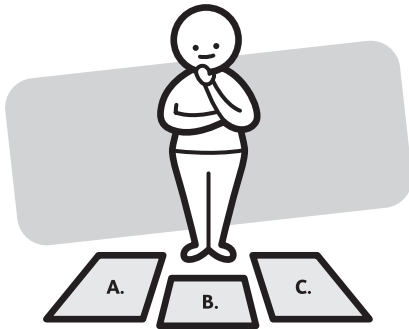
Assembly Checklist



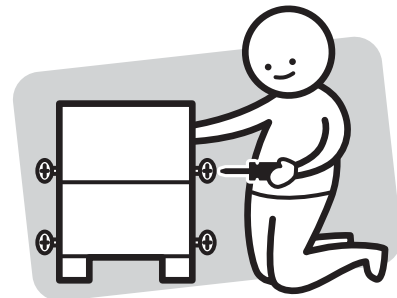
Read through the instructions carefully before you begin.



Make sure you have all the required tools. Never use power tools unless instructed.



Identify and lay out all of the components before you begin assembly.



Unless instructed, do not fully tighten screws until the item is fully assembled.

Useful Information

- ! Never use power tools unless specifically instructed. They can damage your components or hardware if used incorrectly.
- ! The most common mistakes made during assembly are using the wrong hardware or getting components back to front.
- ! Always use a soft surface (such as carpet or cardboard) when assembling your product to avoid scratching or damaging the surface of the product.
- ! Bulky items such as wardrobes and bunk beds should be assembled in the room they will be used in as they may not fit through a door once assembled.
- ! Never use any glue until you are certain that the parts belong together.
- ! Periodically check and re-tighten all fasteners. Check the product care label or website for product care instructions.
- ! If you are having any difficulties assembling your product, missing any hardware or components please visit our website Help Centre for further assistance.
- ! Please see page 2 for any safety requirements or weight restrictions.

What you need

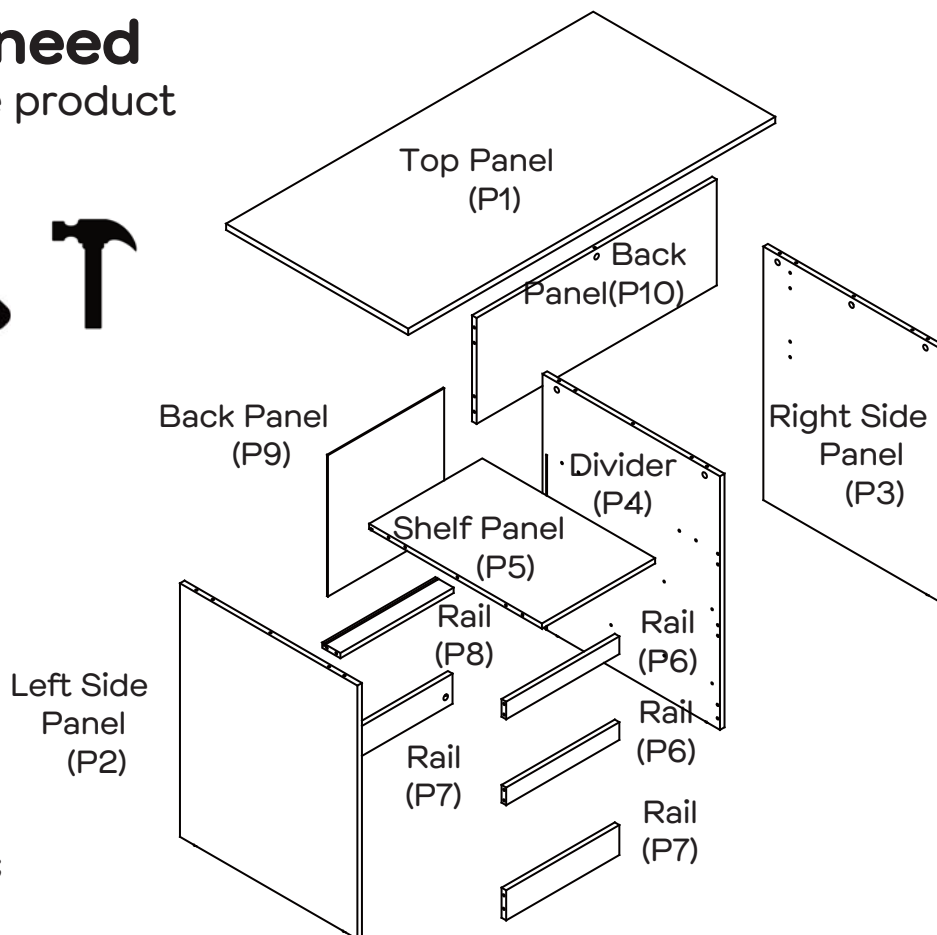
to assemble the product



DO NOT USE

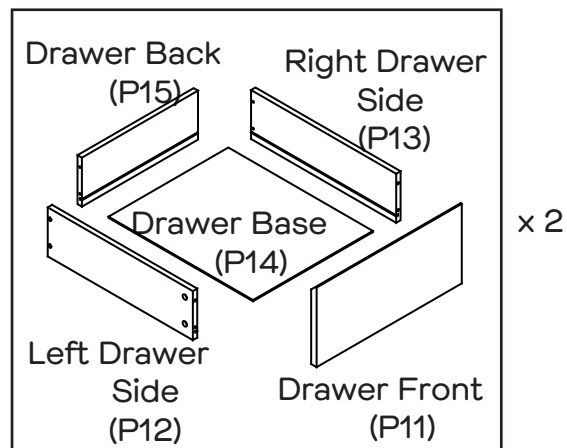


Other tools you need:
Phillips head screwdriver;
Hammer

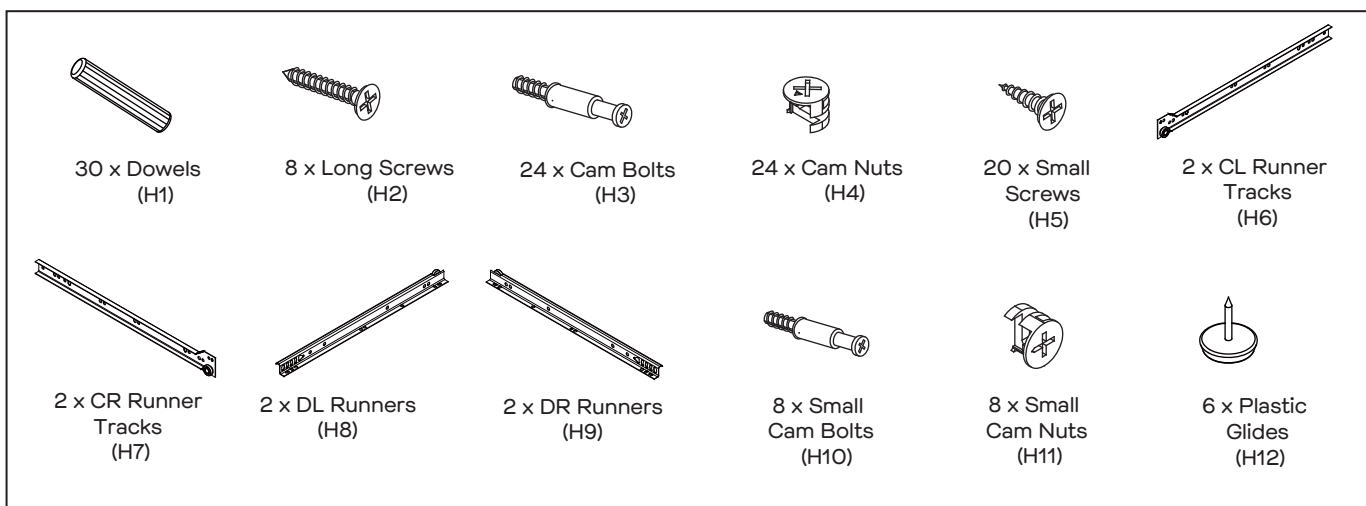


Parts list

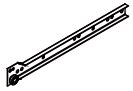


- Top Panel (P1);
- Left Side Panel (P2) ;
- Right Side Panel (P3);
- Divider (P4);
- Shelf Panel (P5);
- 2 x Rail (P6);
- 2 x Rail (P7);
- Rail (P8) ;
- Back Panel (P9);
- Back Panel (P10);
- 2 x Drawer Front (P11);
- 2 x Left Drawer Side (P12);
- 2 x Right Drawer Side (P13);
- 2 x Drawer Base (P14);
- 2 x Drawer Back (P15)

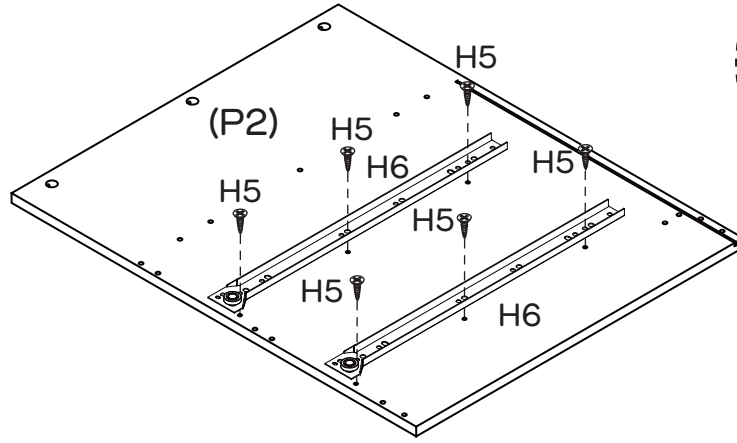


Hardware pack



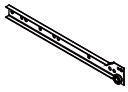


Step 1

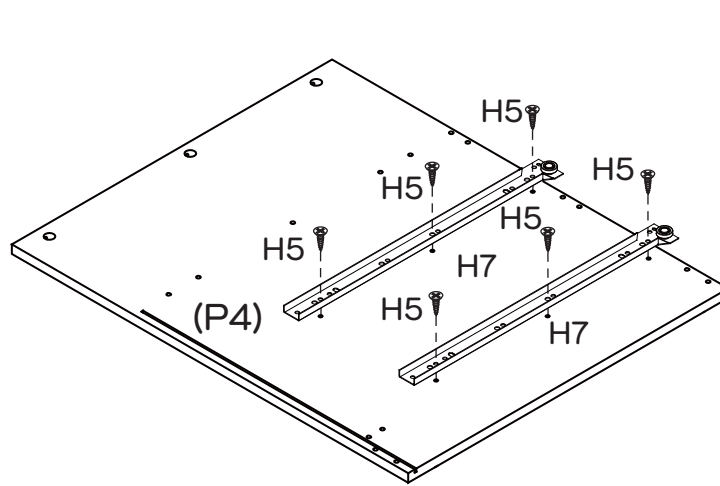
You will need	
	
2 x CL Runners Tracks (H6)	6 x Small Screws (H5)
	
Phillips head screwdriver	



Attach 2 x CL Runner Tracks (H6) to Left Side Panel (P2) with 6 x Small Screws (H5) by tightening with the Phillips Head Screwdriver.

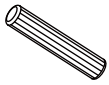
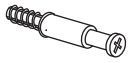

Step 2

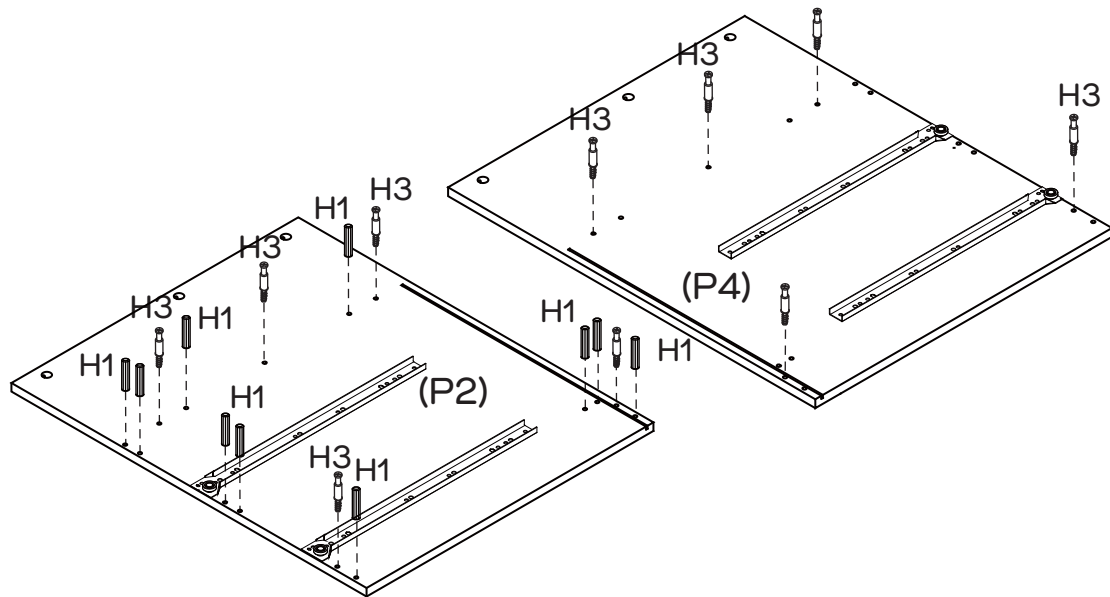
You will need	
	
2 x CR Runners Tracks (H7)	6 x Small Screws (H5)
	
Phillips head screwdriver	



Attach 2 x CR Runner Tracks (H7) to Divider (P4) with 6 x Small Screws (H5) by tightening with the Phillips Head Screwdriver.

Step 3



You will need	
	
10 x Dowels (H1)	10 x Cam Bolts (H3)
	
Phillips head screwdriver	

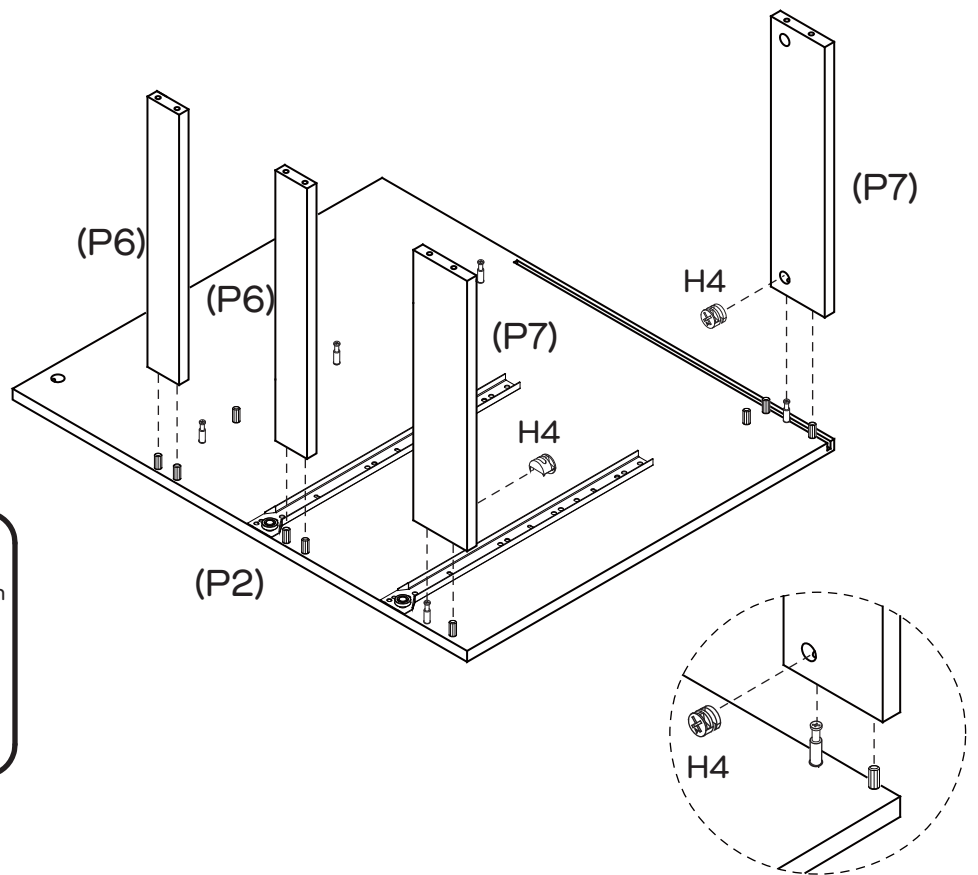
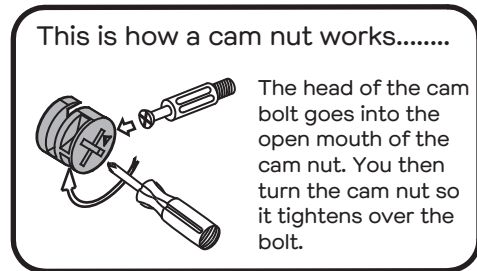


Insert 10 x Dowels (H1) into Left Side Panel (P2). Attach 10 x Cam Bolts (H3) into Left Side Panel (P2) and Divider (P4) by tightening with the Phillips Head Screwdriver as shown

fantasticfurniture.com.au



Step 4

You will need	
	
2 x Cam Nuts (H4)	Phillips head screwdriver

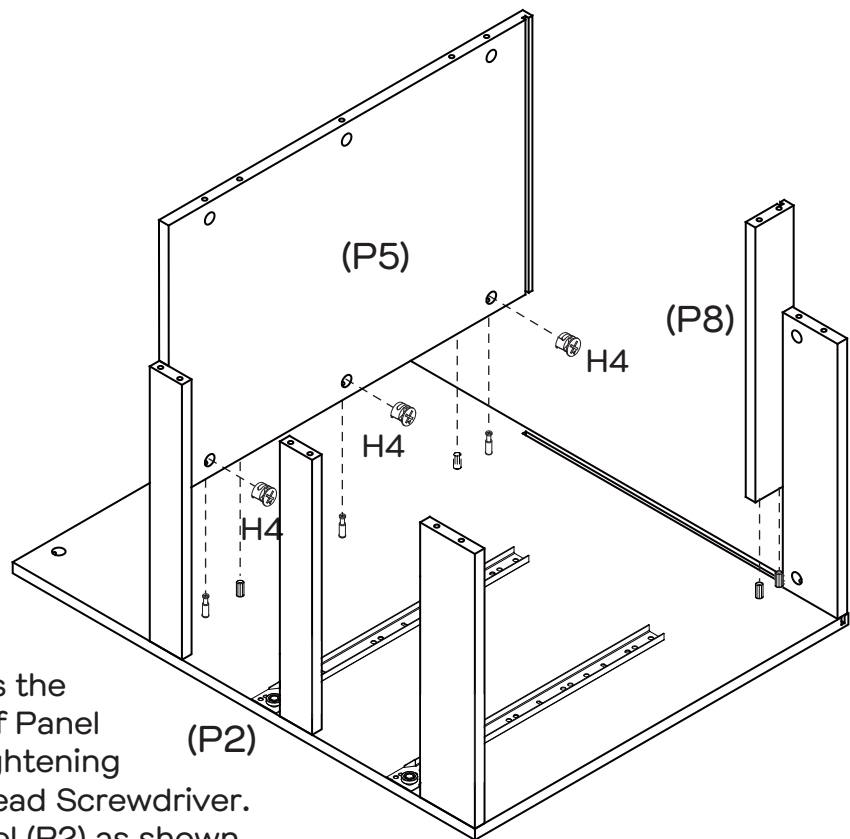


Insert 1 x Cam Nut (H4) into each Rail (P7x2). Rotate the cam nuts so the arrows point towards the incoming cam bolts. Attach Rails (P7x2) to the Left Side Panel (P2) by tightening the cam nuts with the Phillips Head Screwdriver. Attach Rails (P6x2) to Left Side Panel (P2) as shown.

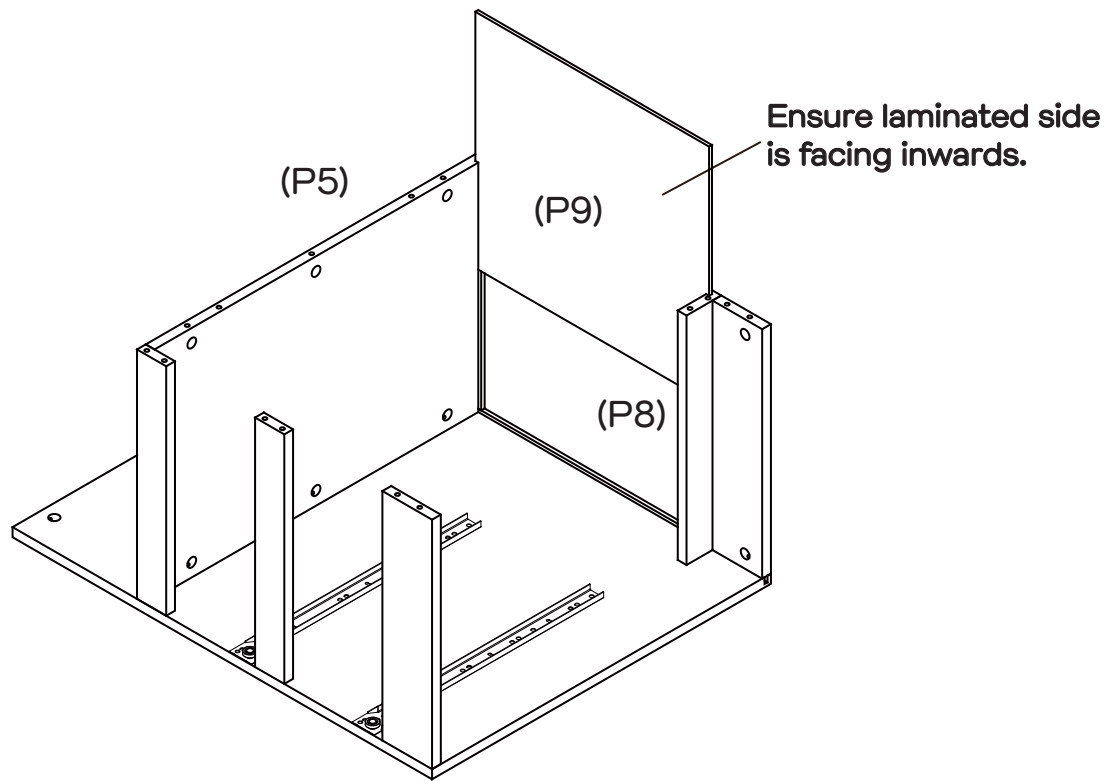
Step 5

You will need	
	
3 x Cam Nuts (H4)	Phillips head screwdriver

Insert 3 x Cam Nuts (H4) into Shelf Panel (P5). Rotate the cam nuts so the arrows point towards the incoming cam bolts. Attach Shelf Panel (P5) to Left Side Panel (P2) by tightening the cam nuts with the Phillips Head Screwdriver. Attach Rail (P8) to Left Side Panel (P2) as shown.



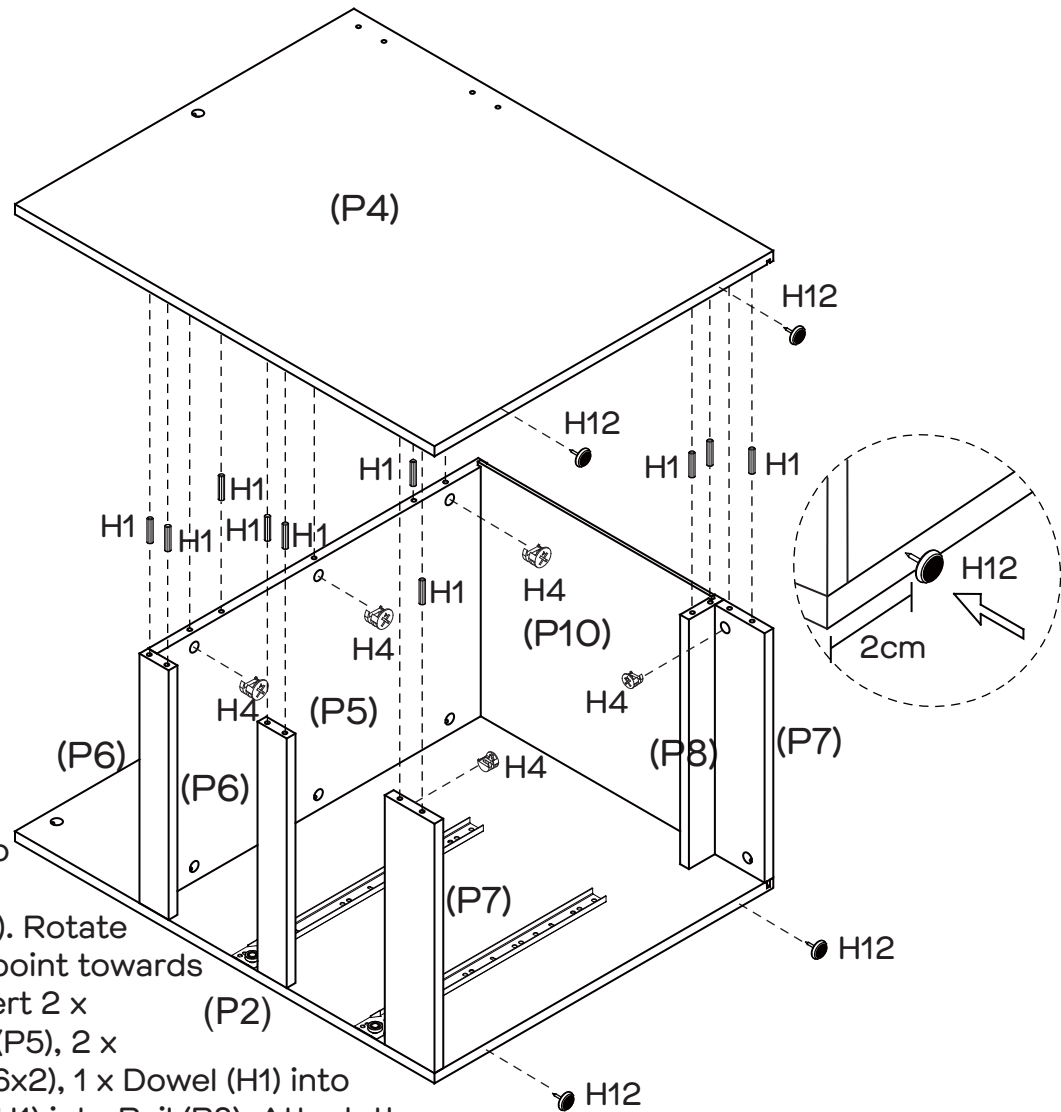
Step 6



Slide Back Panel (P9) into the groove of Shelf Panel (P5) and Rail (P8).


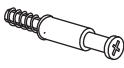



Step 7

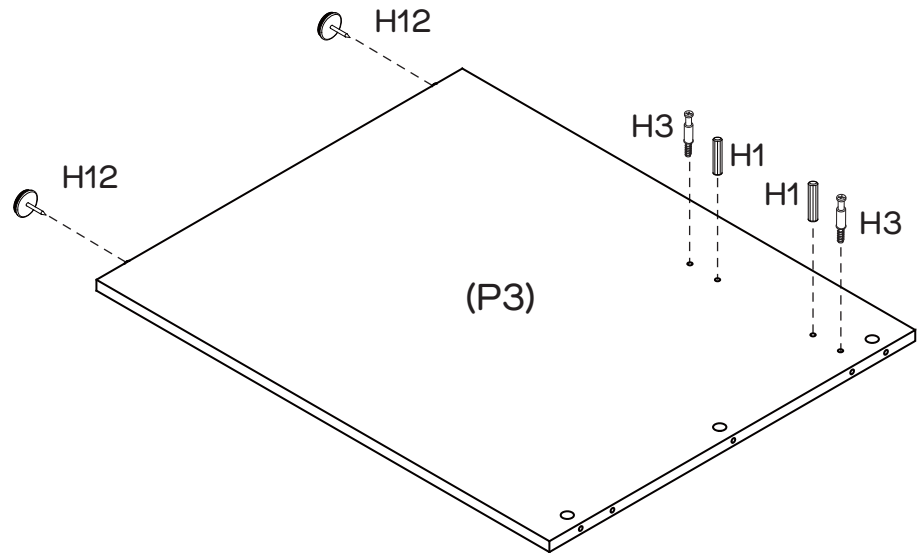
You will need	
5 x Cam Nuts (H4)	4 x Plastic Glides (H12)
10 x Dowels (H1)	Phillips head screwdriver
Hammer	



Insert 3 x Cam Nuts (H4) into Shelf Panel (P5) and 1 x Cam Nut (H4) into each Rail (P7x2). Rotate the cam nuts so the arrows point towards the incoming cam bolts. Insert 2 x Dowels (H1) into Shelf Panel (P5), 2 x Dowels (H1) into each Rail (P6x2), 1 x Dowel (H1) into Rails (P7x2) and 2 x Dowels (H1) into Rail (P8). Attach the Divider Panel (P4) to the partially assembled unit by tightening the cam nuts with the Phillips Head Screwdriver. Use the Hammer to secure the 4 x Plastic Glides (H12) to the bottom of Left Side Panel (P2) and Divider Panel (P4) as shown.

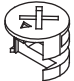

Step 8

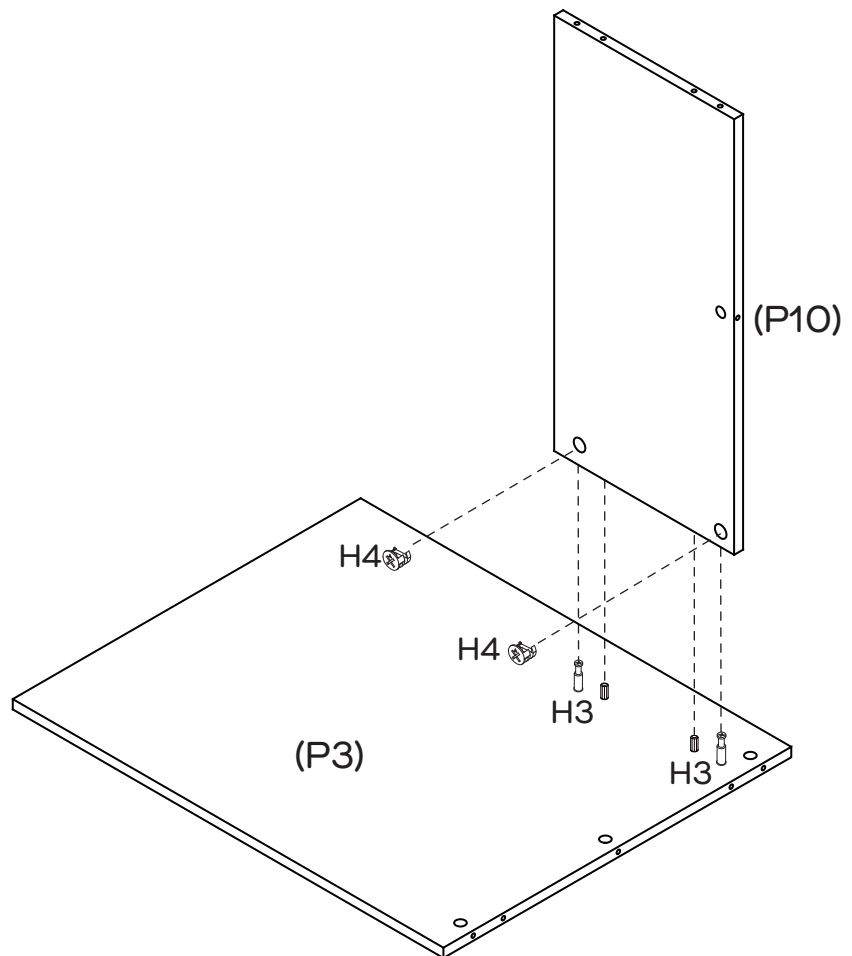
You will need	
	
2 x Dowels (H1)	2 x Cam Bolts (H3)
	
2 x Plastic Glides (H12)	Phillips head screwdriver
	
Hammer	



Insert 2 x Dowels (H1) into Right Side Panel (P3). Attach 2 x Cam Bolts (H3) to Right Side Panel (P3) by tightening with the Phillips Head Screwdriver. Use the Hammer to secure the 2 x Plastic Glides (H12) to the bottom of Right Side Panel (P2) as shown.


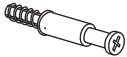


Step 9

You will need	
	
2 x Cam Nuts (H4)	Phillips head screwdriver



Insert 2 x Cam Nuts (H4) into Back Panel (P10). Rotate the cam nuts so the arrows point towards the incoming cam bolts. Attach Back Panel (P10) to Right Side Panel (P3) by tightening cam nuts with the Phillips Head Screwdriver.

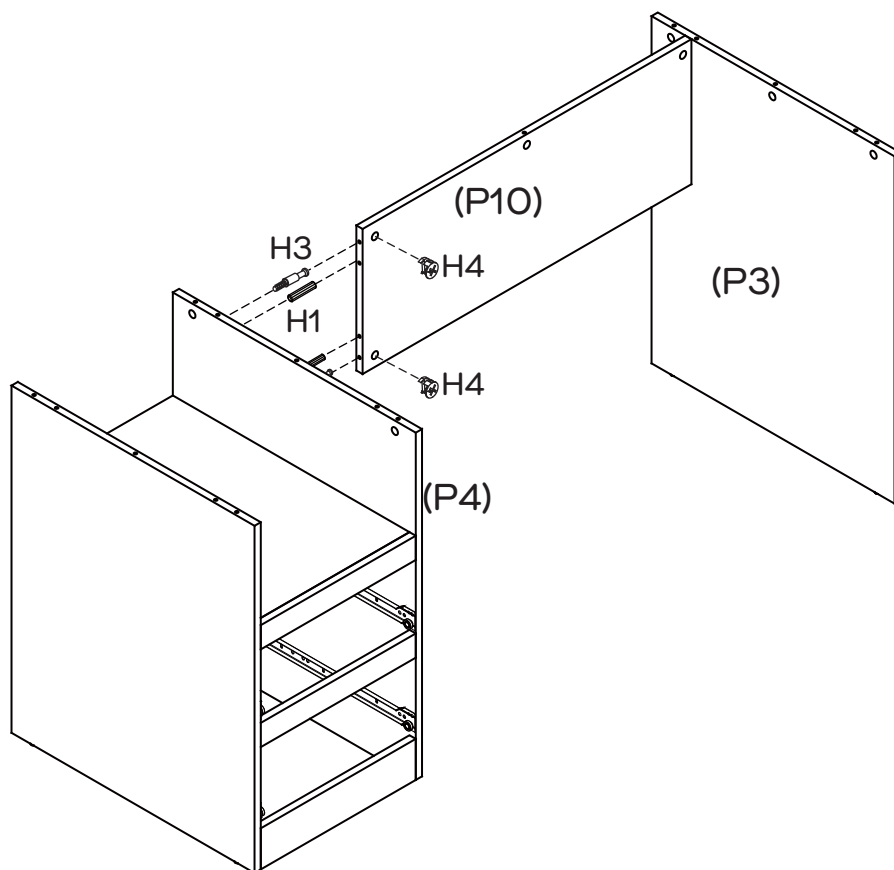
Step 10

You will need	
	
2 x Dowels (H1)	2 x Cam Bolts (H3)
	
2 x Cam Nuts (H4)	Phillips head screwdriver

Two People

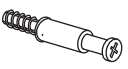



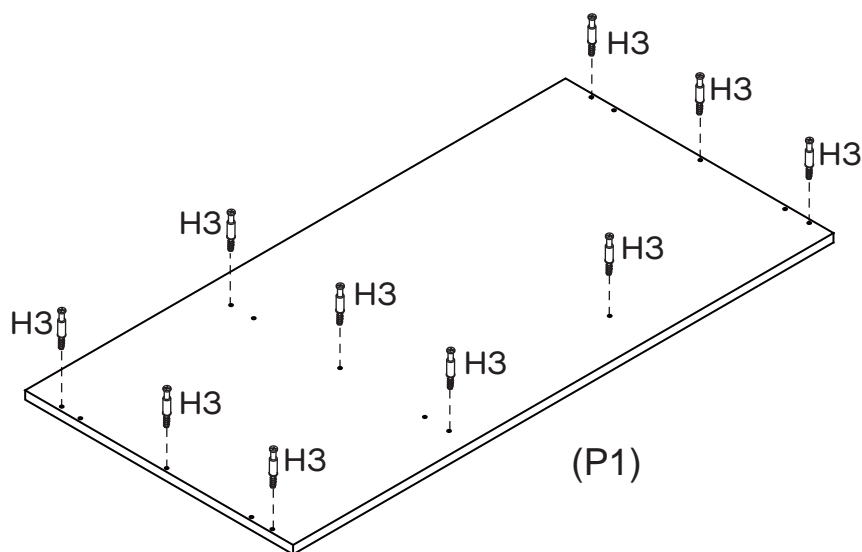
Required



Attach 2 x Cam Bolts (H3) to Divider Panel (P4) by tightening with the Phillips Head Screwdriver. Insert 2 x Dowels (H1) and 2 x Cam Nuts (H4) into Back Panel (P10). Rotate the cam nuts so the arrows point towards the incoming cam bolts. Attach Back Panel (P10) to Divider Panel (P4) by tightening cam nuts with the Phillips Head Screwdriver.




Step 11

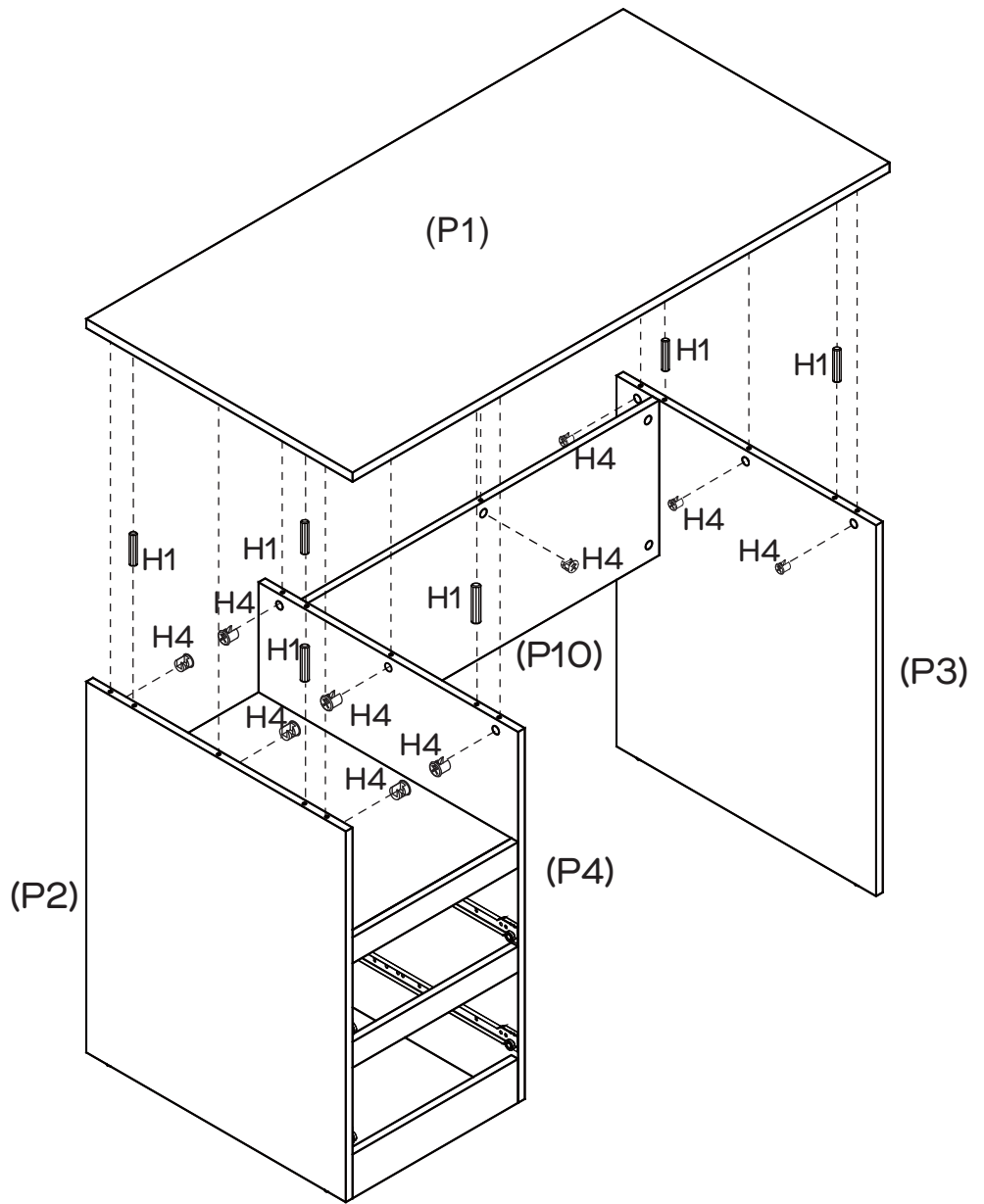
You will need	
	
10 x Cam Bolts (H3)	Phillips head screwdriver



Attach 10 x Cam Bolts (H3) to Top Panel (P1) by tightening with the Phillips Head Screwdriver.

Step 12

You will need	
	
6 x Dowels (H1)	10 x Cam Nuts (H4)
	
Phillips head screwdriver	



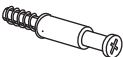

Two People

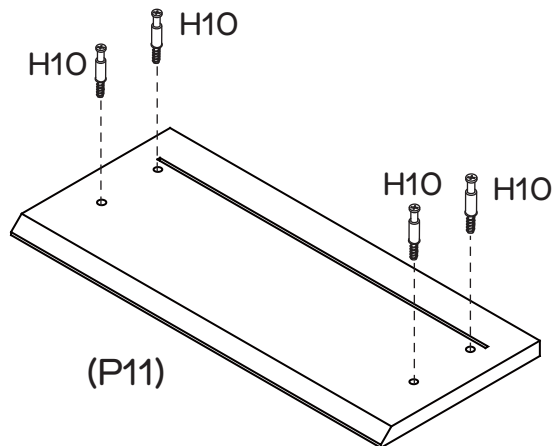


Required

Insert 3 x Cam Nuts (H4) into Left Side Panel (P2), 3 x Cam Nuts (H4) into Divider Panel (P4), 3 x Cam Nuts (H4) into Right Side Panel (P3) and 1 x Cam Nut (H4) into Back Panel (P10). Rotate the cam nuts so the arrows point towards the incoming cam bolts. Insert 2 x Dowels (H1) into Left Side Panel (P2), 2 x Dowels (H1) into Divider Panel (P4) and 2 x Dowels (H1) into Right Side Panel (P3). Attach Top Panel (P1) to the assembled unit by tightening cam nuts with the Phillips Head Screwdriver.



Step 13

You will need	
	
8 x Small Cam Bolts (H10)	Phillips head screwdriver

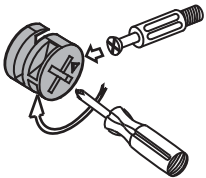


Attach 4 x Small Cam Bolts (H10) to Drawer Front (P11) by tightening with the Phillips Head Screwdriver. Repeat steps for the second drawer.

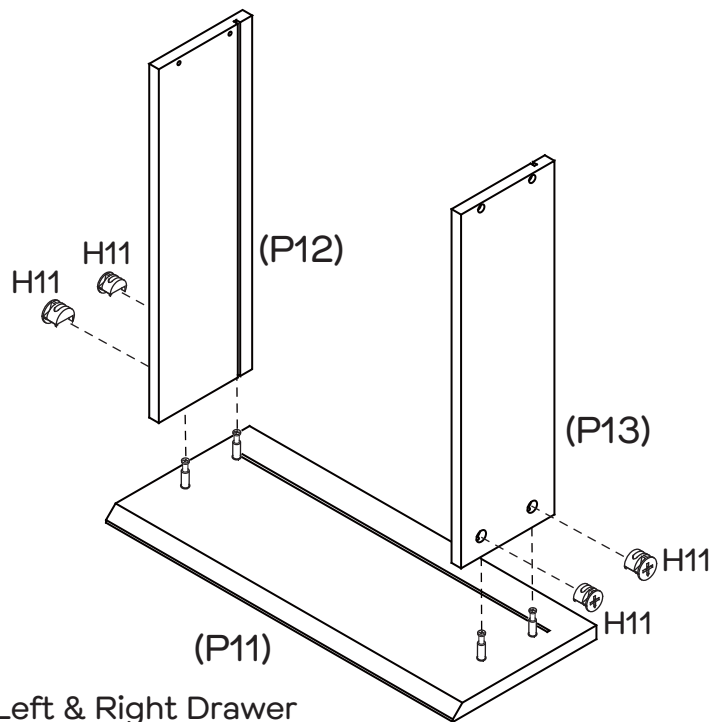
Step 14

You will need	
	
8 x Small Cam Nuts (H11)	Phillips head screwdriver

This is how a cam nut works.....

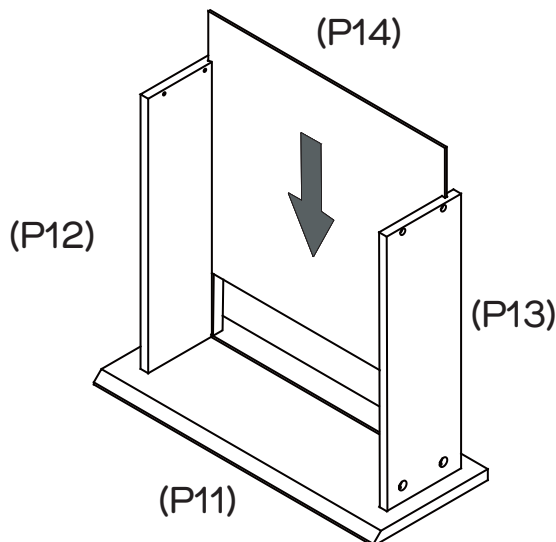


The head of the cam bolt goes into the open mouth of the cam nut. You then turn the cam nut so it tightens over the bolt.



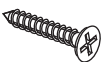

Insert 4 x Small Cam Nuts (H11) into Left & Right Drawer Sides (P12&P13). Rotate the cam nuts so the arrows point towards the incoming cam bolts. Attach Left & Right Drawer Sides (P12&P13) to the Drawer Front (P11) by tightening cam nuts with the Phillips Head Screwdriver. Repeat steps for the second drawer.

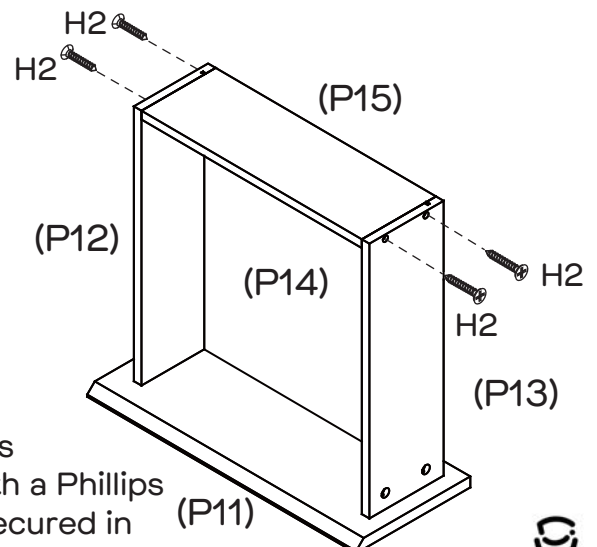
Step 15



Slide Drawer Base (P14) into the grooves of Left & Right Drawer Sides (P12&P13) and Drawer Front (P11). Repeat steps for the second drawer.

Step 16

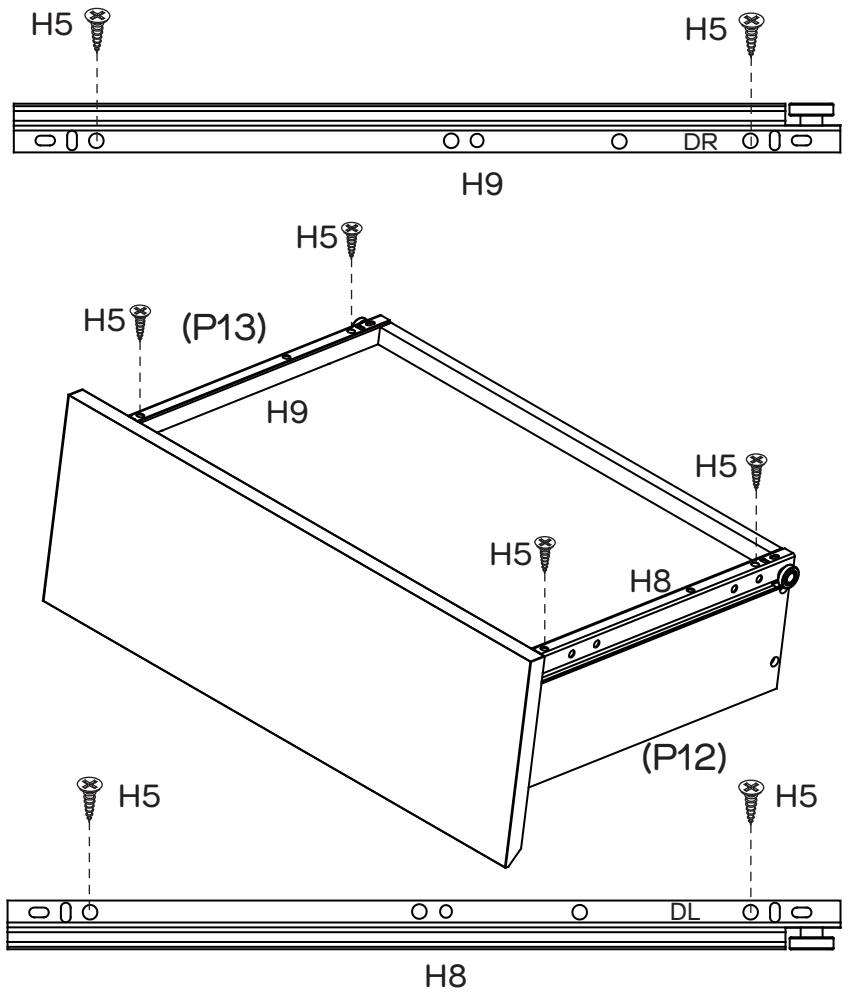
You will need	
	
8 x Long Screws (H2)	Phillips head screwdriver



Attach Drawer Back (P15) to Left & Right Drawer Sides (P12&P13) with 4 x Long Screws (H2) by tightening with a Phillips Head Screwdriver. Ensure the Drawer Base (P14) is secured in (P11) all grooves before tightening. Repeat steps for the second drawer.

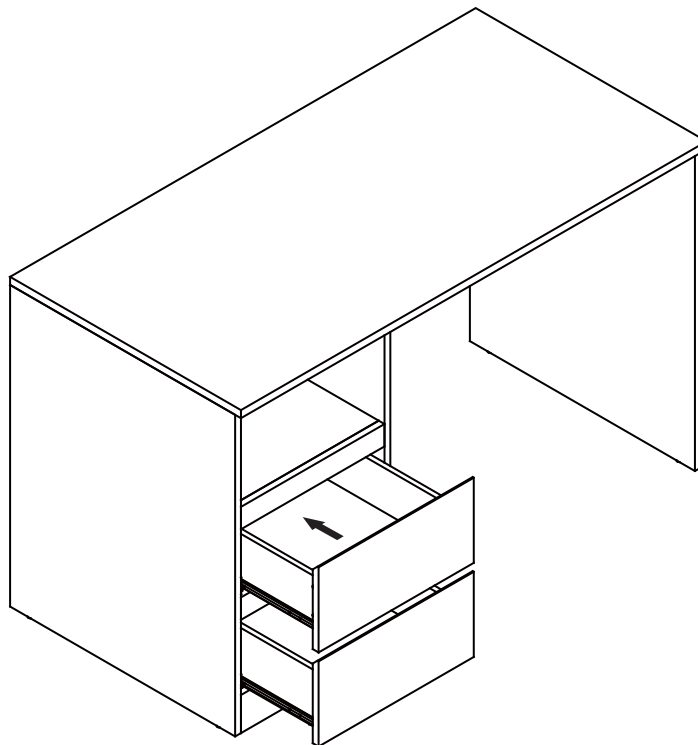
Step 17

You will need	
2 x DL Runner (H8)	2 x DR Runner (H9)
8 x Small Screws (H5)	Phillips head screwdriver

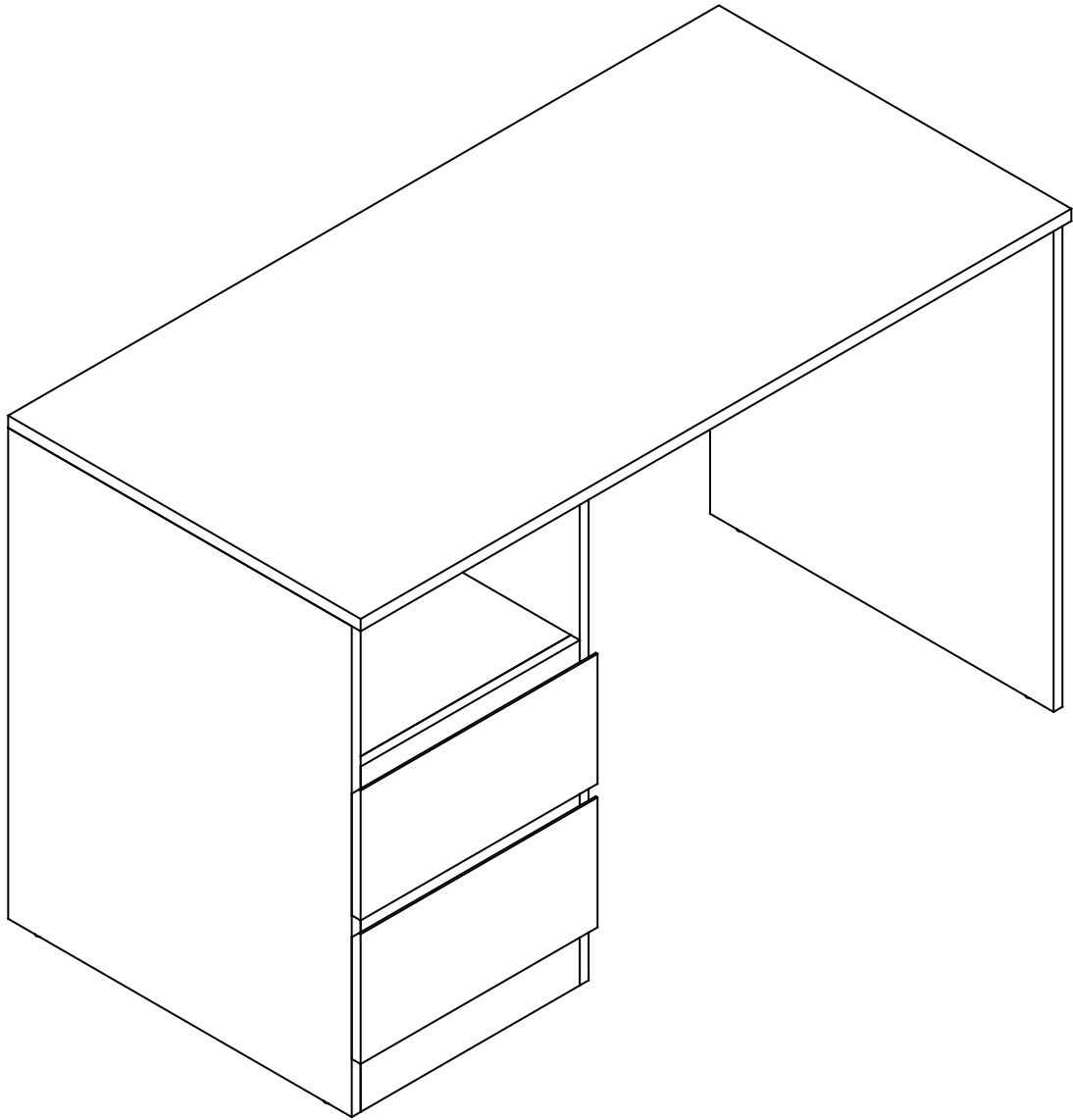


Attach 1 x DL Runner (H8) to the bottom of Left Drawer Side (P12) and 1 x DR Runner (H9) to the bottom of Right Drawer Side (P13) with 4 x Small Screws (H5) by tightening with the Phillips Head Screwdriver. Repeat steps for the second drawer

Step 18



Carefully insert the drawers into the desk by gently guiding the runners into the tracks



Job Complete!

In the interest of our environment please dispose of all packaging thoughtfully.