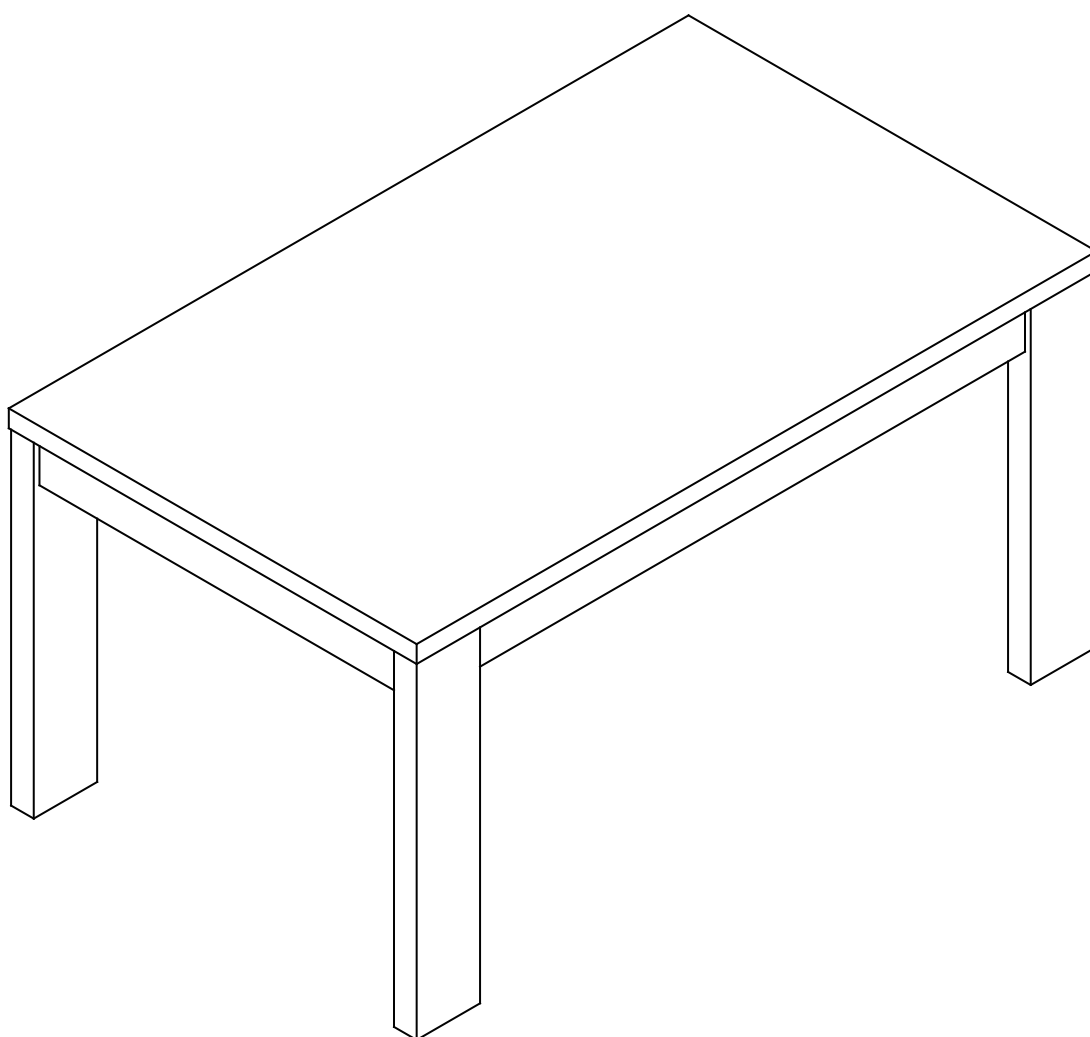




**Fantastic
Furniture**

Version 1.0



Two People



Required

Havana
Table D6

fantasticfurniture.com.au

Recommended weight capacity : 80kg.

Looks like you've found your Fantastic!

We're thrilled you've chosen Fantastic Furniture
to help create a home you'll love!



Fantastic Furniture

Love it? Share it!

Fantastic buy! Share how it looks at home on Instagram for
your chance to win a \$250 Fantastic Furniture Gift Card!

@fantasticfurniture

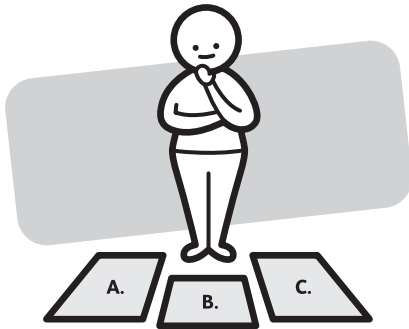
Assembly Checklist



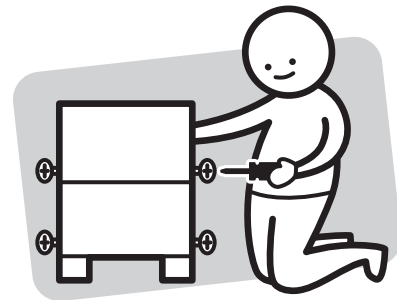
Read through the instructions carefully before you begin.



Make sure you have all the required tools. Never use power tools unless instructed.



Identify and lay out all of the components before you begin assembly.



Unless instructed, do not fully tighten screws until the item is fully assembled.

Useful Information

- ! Never use power tools unless specifically instructed. They can damage your components or hardware if used incorrectly.
- ! The most common mistakes made during assembly are using the wrong hardware or getting components back to front.
- ! Always use a soft surface (such as carpet or cardboard) when assembling your product to avoid scratching or damaging the surface of the product.
- ! Bulky items such as wardrobes and bunk beds should be assembled in the room they will be used in as they may not fit through a door once assembled.
- ! Never use any glue until you are certain that the parts belong together.
- ! Periodically check and re-tighten all fasteners. Check the product care label or website for product care instructions.
- ! If you are having any difficulties assembling your product, missing any hardware or components please visit our website Help Centre for further assistance.
- ! Please see page 2 for any safety requirements or weight restrictions.

What you need

to assemble the product



DO NOT USE

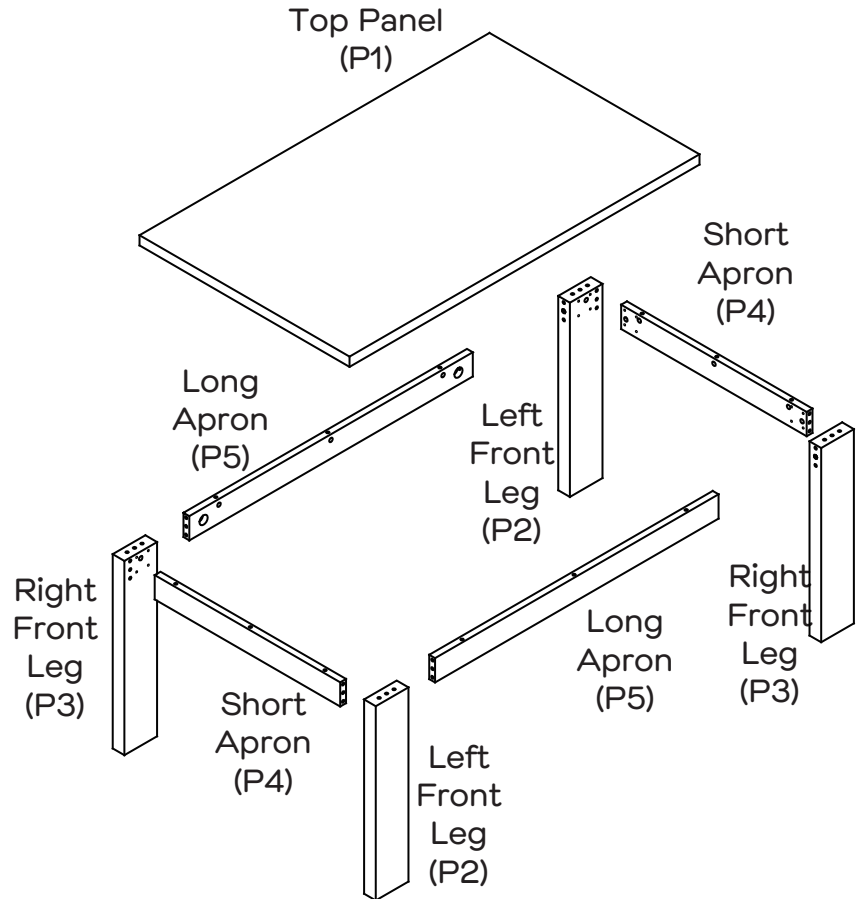


Other tools you need:

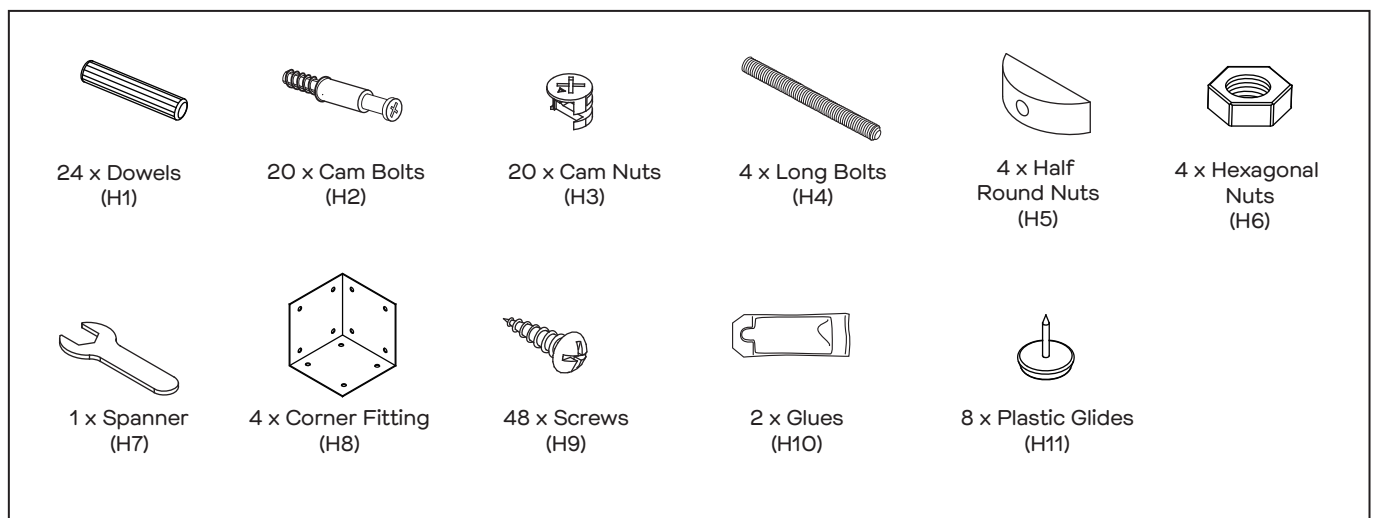
Phillips Head Screwdriver;
Hammer

Parts list

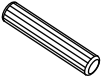
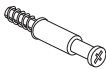



Top Panel (P1);
Left Front Leg (P2);
Right Front Leg (P3);
Short Apron (P4);
Long Apron (P5);

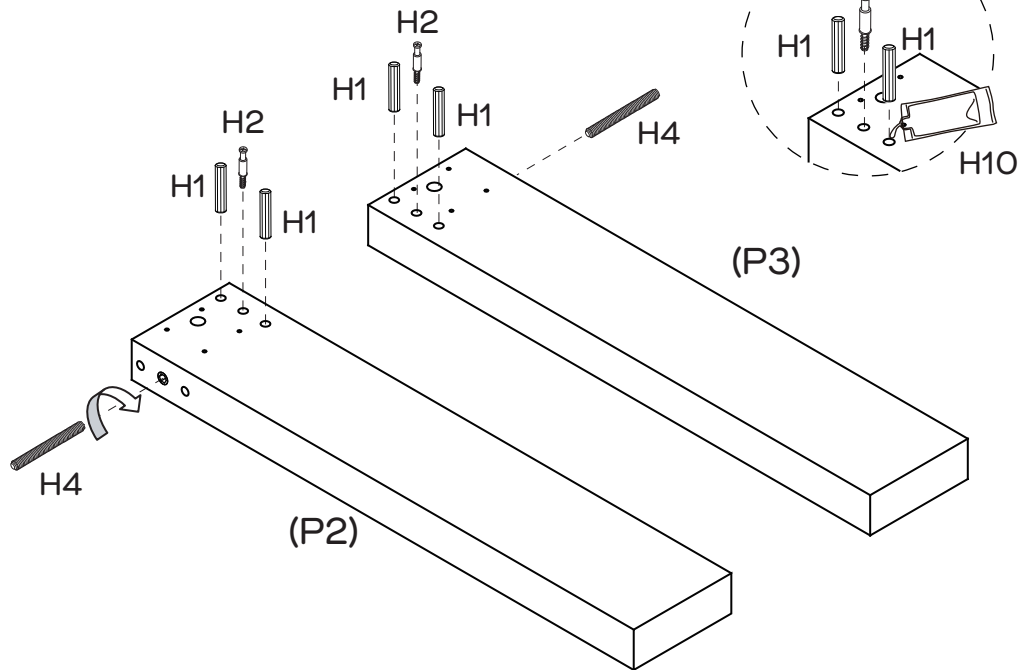


Hardware pack





Step 1

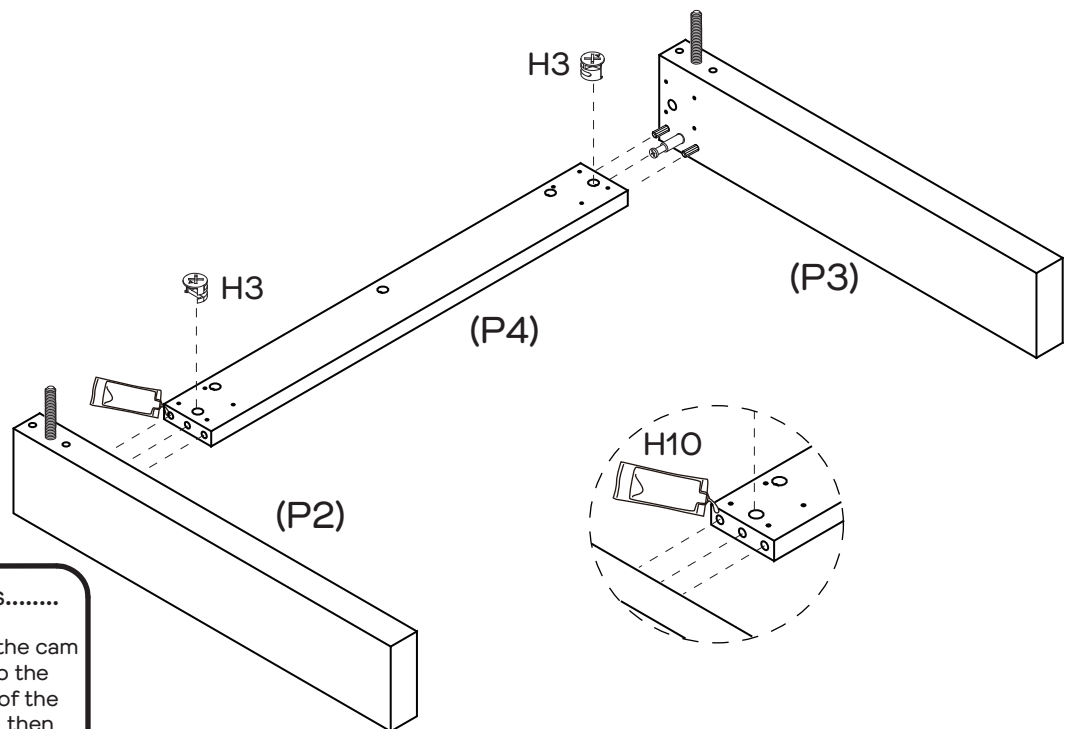
You will need	
	
8 x Dowels (H1)	4 x Cam Bolts (H2)
	
4 x Long Bolts (H4)	1 x Glue (H10)
	
Phillips Head Screwdriver	



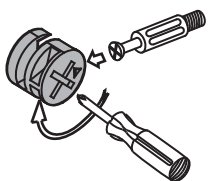
Squeeze Glue (H10) into dowel holes in Legs (P2, P3) and insert 4 x Dowels (H1).
Screw 2 x Cam Bolts (H2) into place using a Phillips head screwdriver.
Insert 2 x Long Bolts into Legs (P2, P3) as shown.
Repeat Step 1 for other Legs (P2, P3).

Step 2

You will need	
	
4 x Cam Nuts (H3)	1 x Glue (H10)
	
Phillips Head Screwdriver	



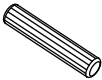

This is how a cam nut works.....

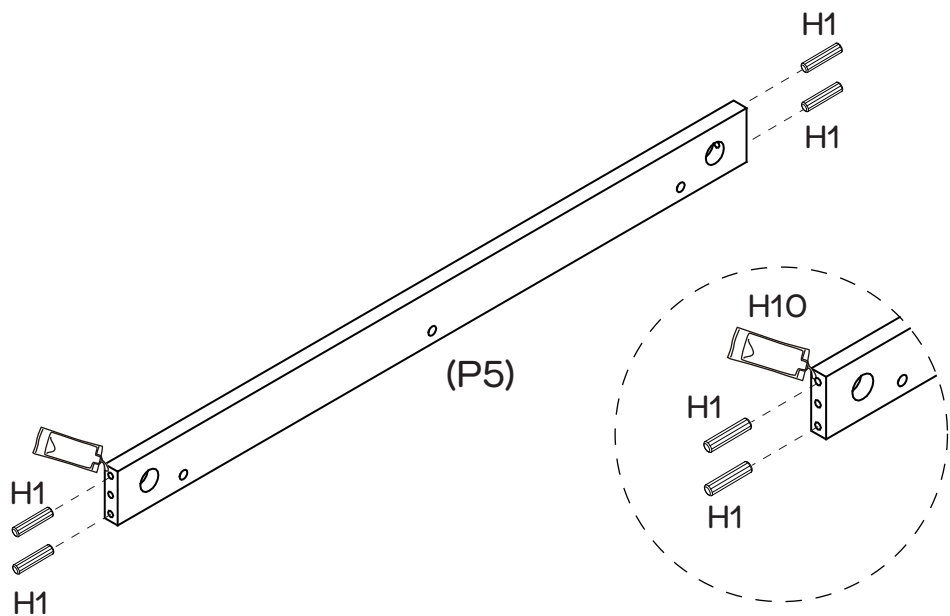


The head of the cam bolt goes into the open mouth of the cam nut. You then turn the cam nut so it tightens over the bolt.

Squeeze Glue (H10) into the dowel holes in Short Apron (P4).
Insert 2 x Cam Nuts (H3) into the holes of Short Apron (P4) as shown.
Rotate the cam nuts so the arrows point towards the incoming cam bolts.
Attach Legs (P2, P3) to Short Apron (P4), then tighten the cam nuts using a Phillips head screwdriver. Repeat this step with other Legs (P2, P3) and Short Apron (P4).





Step 3

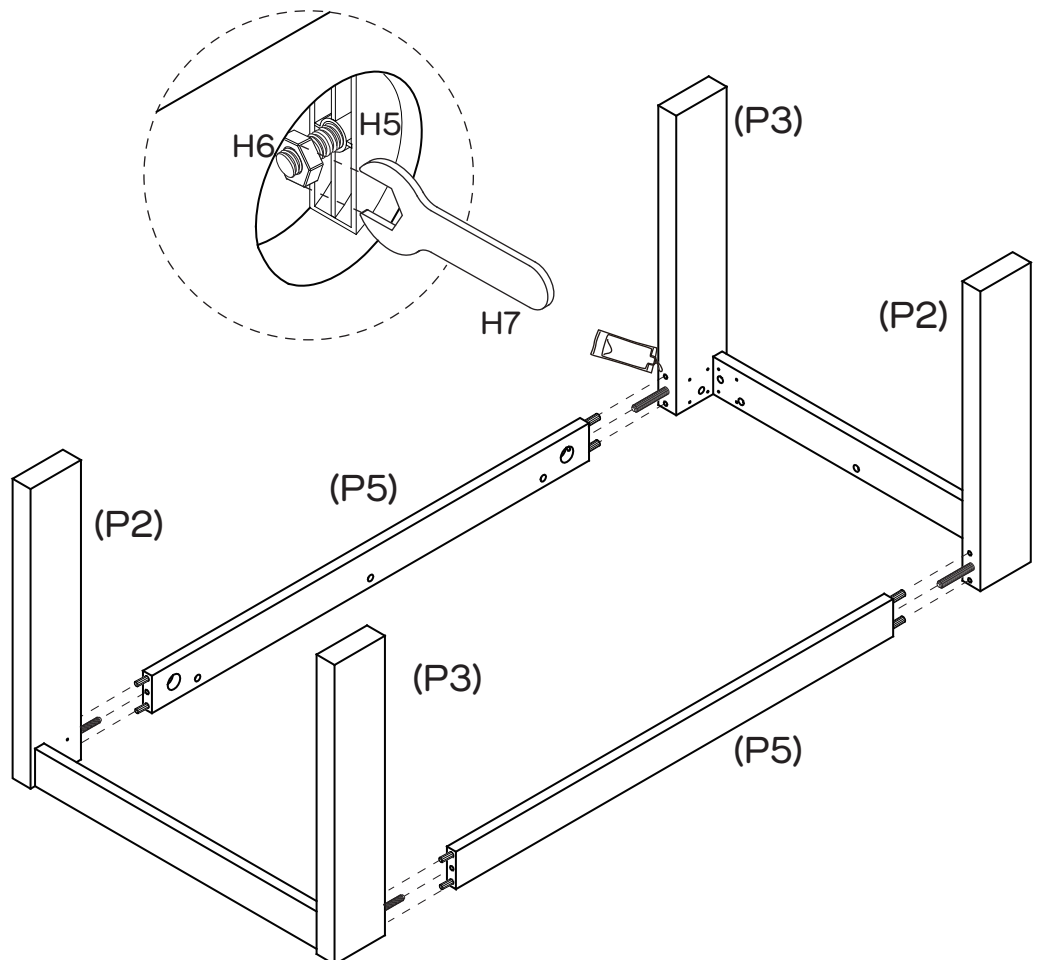
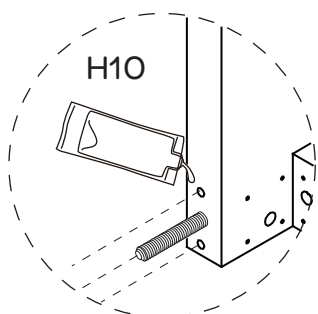
You will need	
	
8 x Dowels (H1)	1 x Glue (H10)



Squeeze Glue (H10) into dowel holes in Long Apron (P5) and insert 4 x Dowels. Repeat Step 3 for another Long Apron (P5).

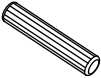
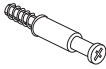


Step 4

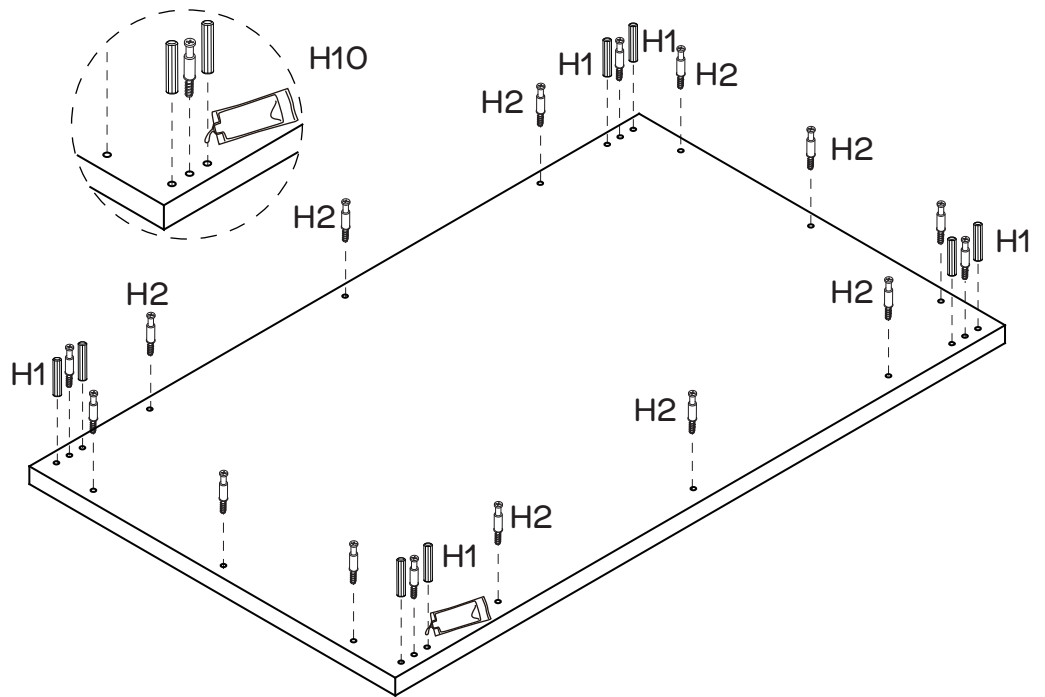
You will need	
	
4 x Half Round Nuts (H5)	4 x Hexagonal Nuts (H6)
	
1 x Spanner (H7)	1 x Glue (H10)



Squeeze Glue (H10) into dowel holes in Legs (P2, P3). Attach Long Apron (P5) to Legs (P2, P3) with 4 x Half Round Nuts (H5) and 4 x Hexagonal Nuts (H6) using Spanner (H7).




Step 5

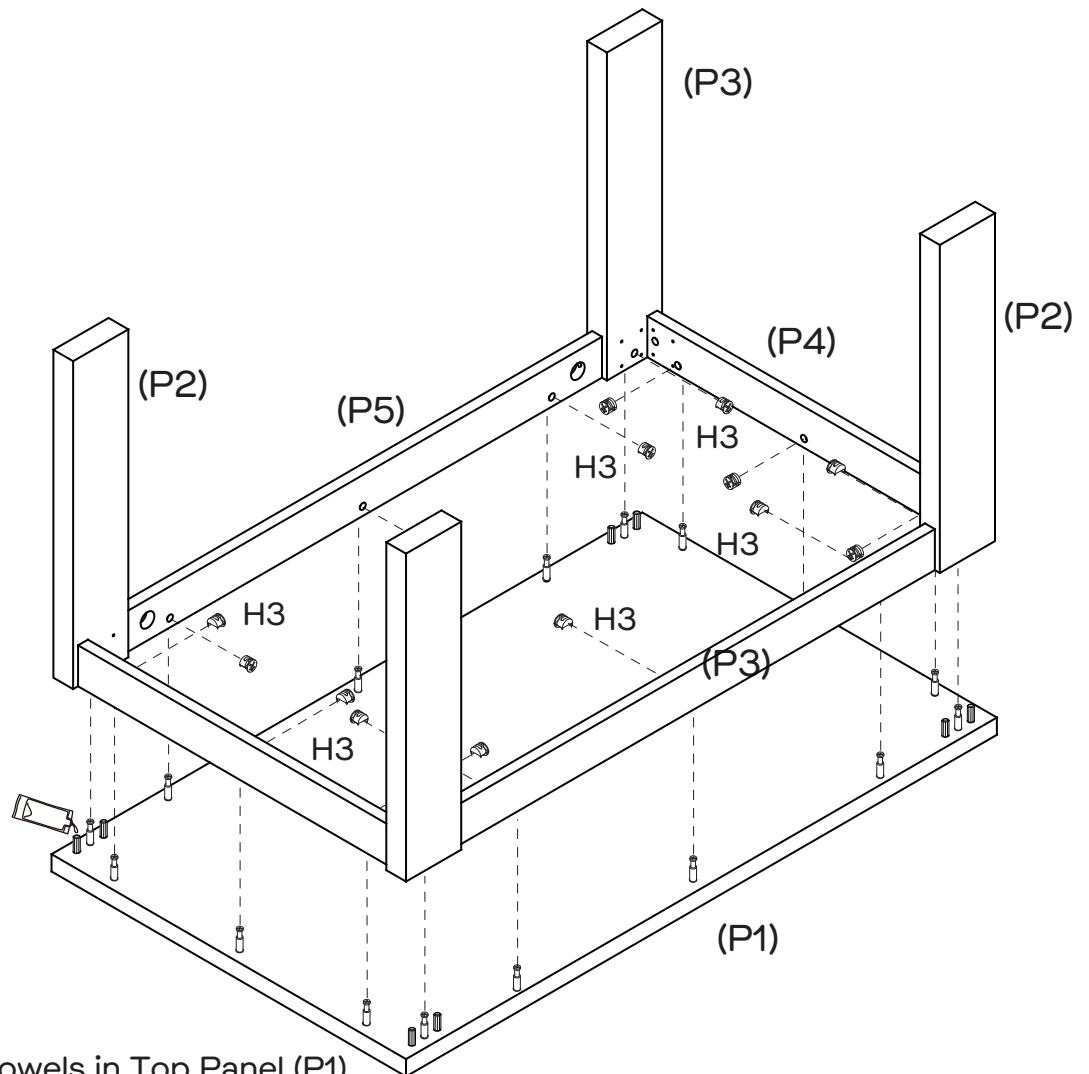
You will need	
	
8 x Dowels (H1)	16 x Cam Bolts (H2)
	
1 x Glue (H10)	Phillips Head Screwdriver



Squeeze Glue (H10) into dowel holes in Top Panel (P1) and insert 8 x Dowels (H1). Screw 16 x Cam Bolts (H2) into Top Panel (P1) with a Phillips head screwdriver.

Step 6

You will need	
	
16 x Cam Nuts (H3)	1 x Glue (H10)
	
Phillips Head Screwdriver	



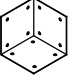
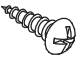



Two People

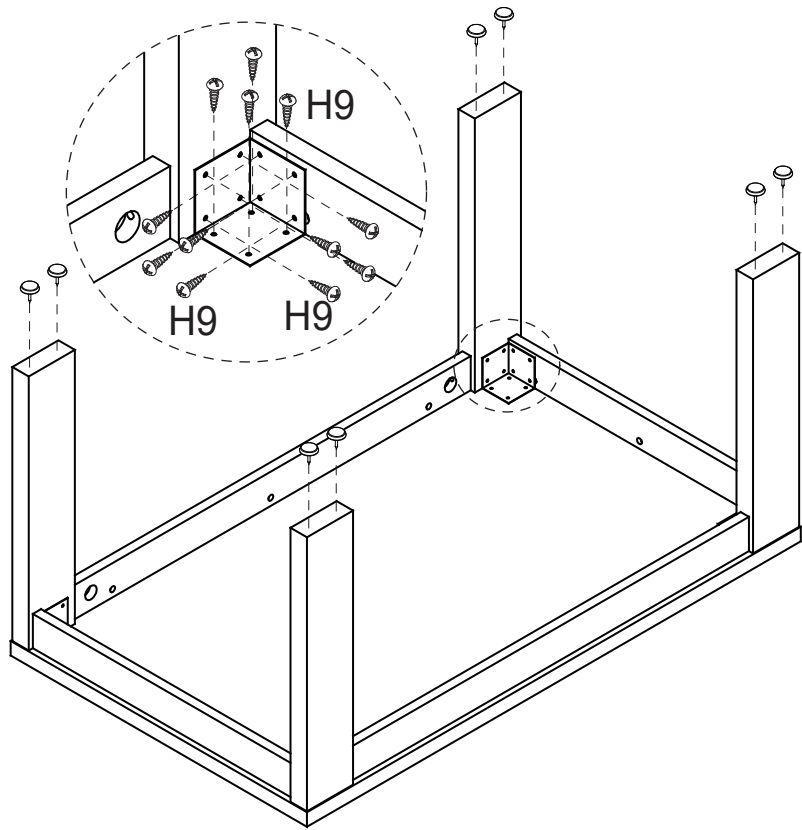


Required

Squeeze Glue (H10) to dowels in Top Panel (P1). Insert 16 x Cam Nuts (H3) into the holes of table leg frame. Align the holes of table leg frame with the dowels and cam bolts in top - being careful handle leg frame as it is fragile until attached. Ensure all cam nuts are tightened firmly in Legs (P2, P3) and Aprons (P4, P5).

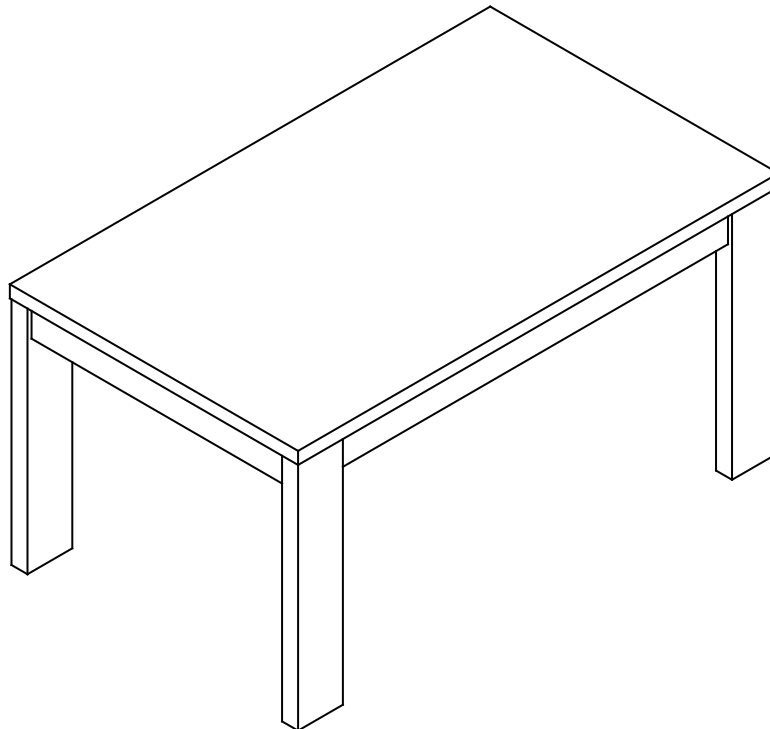
Step 7

You will need	
	
4 x Corner Fitting (H8)	48 x Screws (H9)
	
8 x Plastic Glides (H11)	Hammer
	
Phillips Head Screwdriver	



Attach 4 x Corner Fitting (H8) to the dining table with 48 x Screws (H9) as shown. Tighten Screws using a Phillips head screwdriver.
Hammer 8 x Plastic Glides (H11) into end of each leg (P2, P3)

Step 8



Job Complete!

In the interest of our environment please dispose of all packaging thoughtfully.